

US00D891487S

(12) **United States Design Patent** (10) **Patent No.:** **US D891,487 S**
Huang (45) **Date of Patent:** **** Jul. 28, 2020**

(54) **THREAD SPOOL**
(71) Applicant: **Fangfang Huang**, Ningbo (CN)
(72) Inventor: **Fangfang Huang**, Ningbo (CN)
(**) Term: **15 Years**
(21) Appl. No.: **29/728,668**
(22) Filed: **Mar. 20, 2020**
(51) **LOC (12) Cl.** **15-06**
(52) **U.S. Cl.**
USPC **D15/78; D3/24; D8/367**
(58) **Field of Classification Search**
USPC D8/367, 356, 354, 349, 18, 105, 368;
248/341; 224/217; 24/1, 702; D3/24;
D15/78, 72
CPC A45F 5/021; A44B 13/0029; F16B 45/00;
F16M 13/02
See application file for complete search history.

6,634,590 B1 * 10/2003 Rau B65H 54/365
242/479
D489,399 S * 5/2004 Kusakari D18/34.9
D545,561 S * 7/2007 Vandecasteele D3/24
D699,965 S * 2/2014 Costello D6/515
D741,378 S * 10/2015 Yokoyama D15/72
D782,180 S * 3/2017 Eberhard D3/18
D801,400 S * 10/2017 Willison D15/78
D818,009 S * 5/2018 Shen D15/78
D831,706 S * 10/2018 Perez D15/78

* cited by examiner

Primary Examiner — Cynthia R Underwood
(74) *Attorney, Agent, or Firm* — KA Filing LLC; Wayne V. Harper; Cynthia Flanigan

(57) **CLAIM**

I claim the ornamental design for a thread spool, as shown and described.

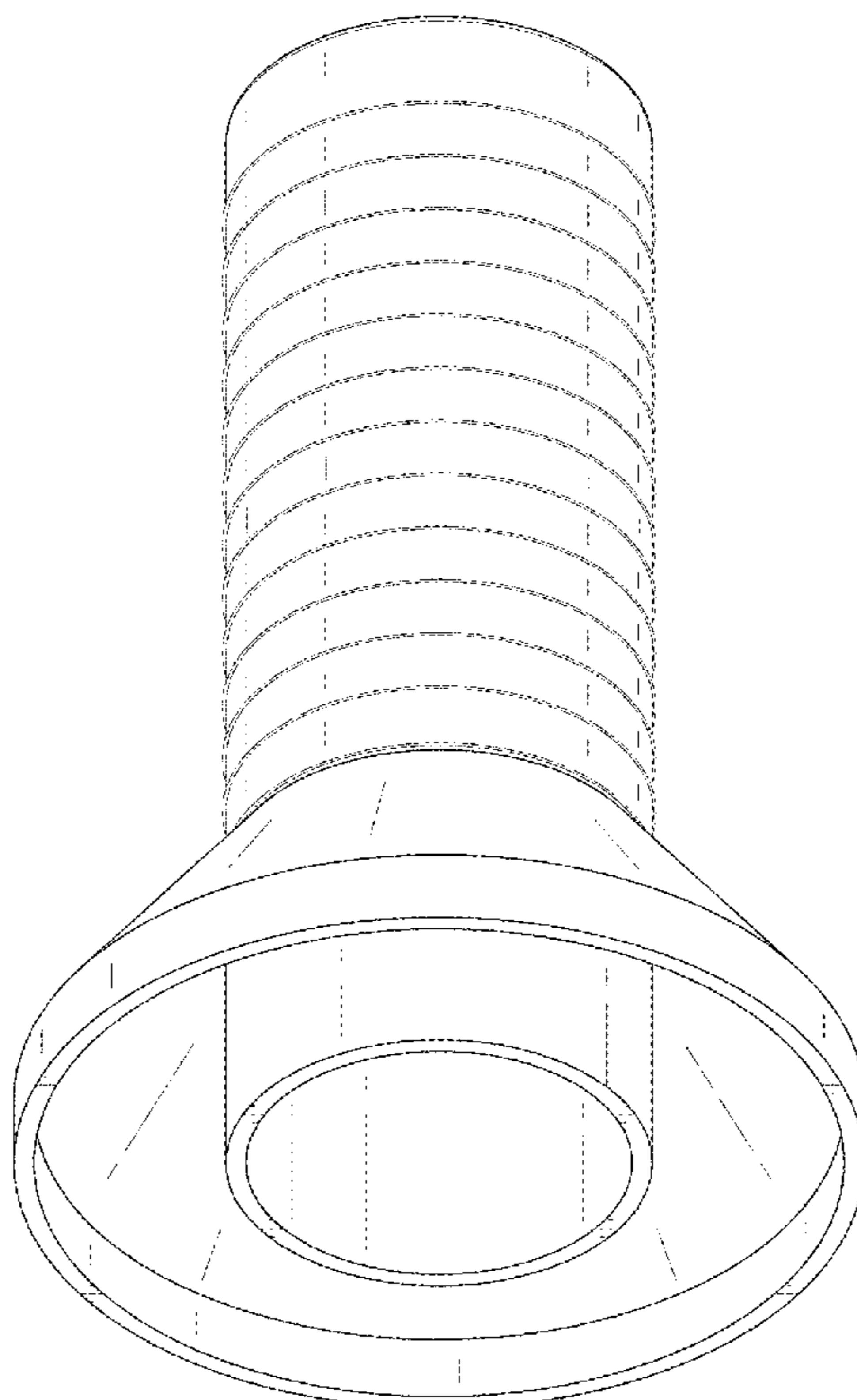
DESCRIPTION

FIG. 1 is a Perspective view of a thread spool showing my new design;
FIG. 2 is other Perspective view thereof;
FIG. 3 is another front view thereof;
FIG. 4 is a Front view thereof;
FIG. 5 is a Back view thereof;
FIG. 6 is a Left-side view thereof;
FIG. 7 is a Right-side view thereof;
FIG. 8 is a Top view thereof; and,
FIG. 9 is a Bottom view thereof.
The broken lines represent an environment of use and form no part of the claim.

(56) **References Cited**
U.S. PATENT DOCUMENTS

D231,960 S * 7/1974 Naugle D3/24
3,860,194 A * 1/1975 Roscher B65H 75/12
242/118.32
D235,338 S * 6/1975 Hamilton D3/24
D282,312 S * 1/1986 Dick D3/24
D292,643 S * 11/1987 Dick D15/78
D315,914 S * 4/1991 Chen D15/72
5,725,167 A * 3/1998 Garwood B65H 54/16
242/478.5

1 Claim, 9 Drawing Sheets



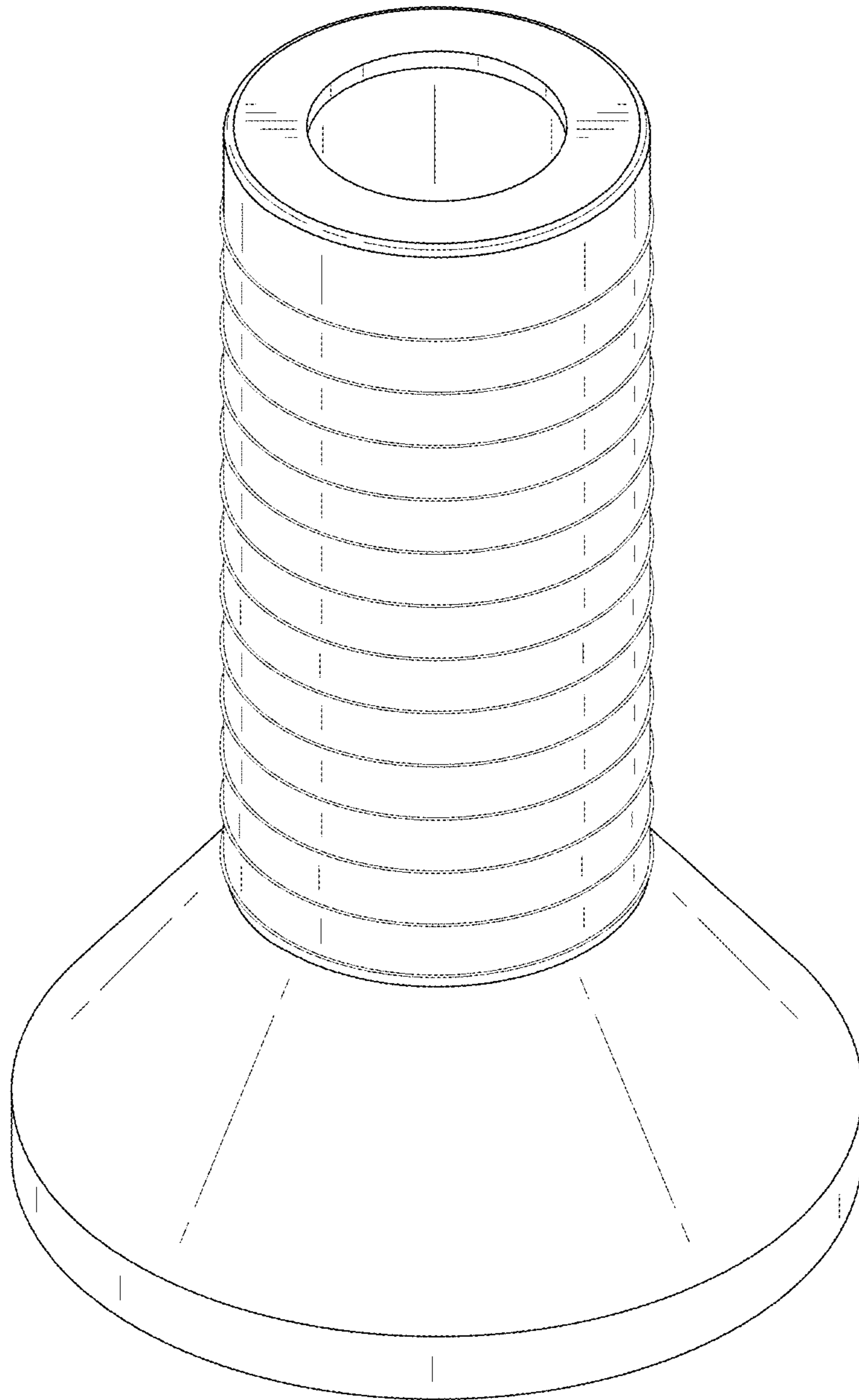


FIG. 1

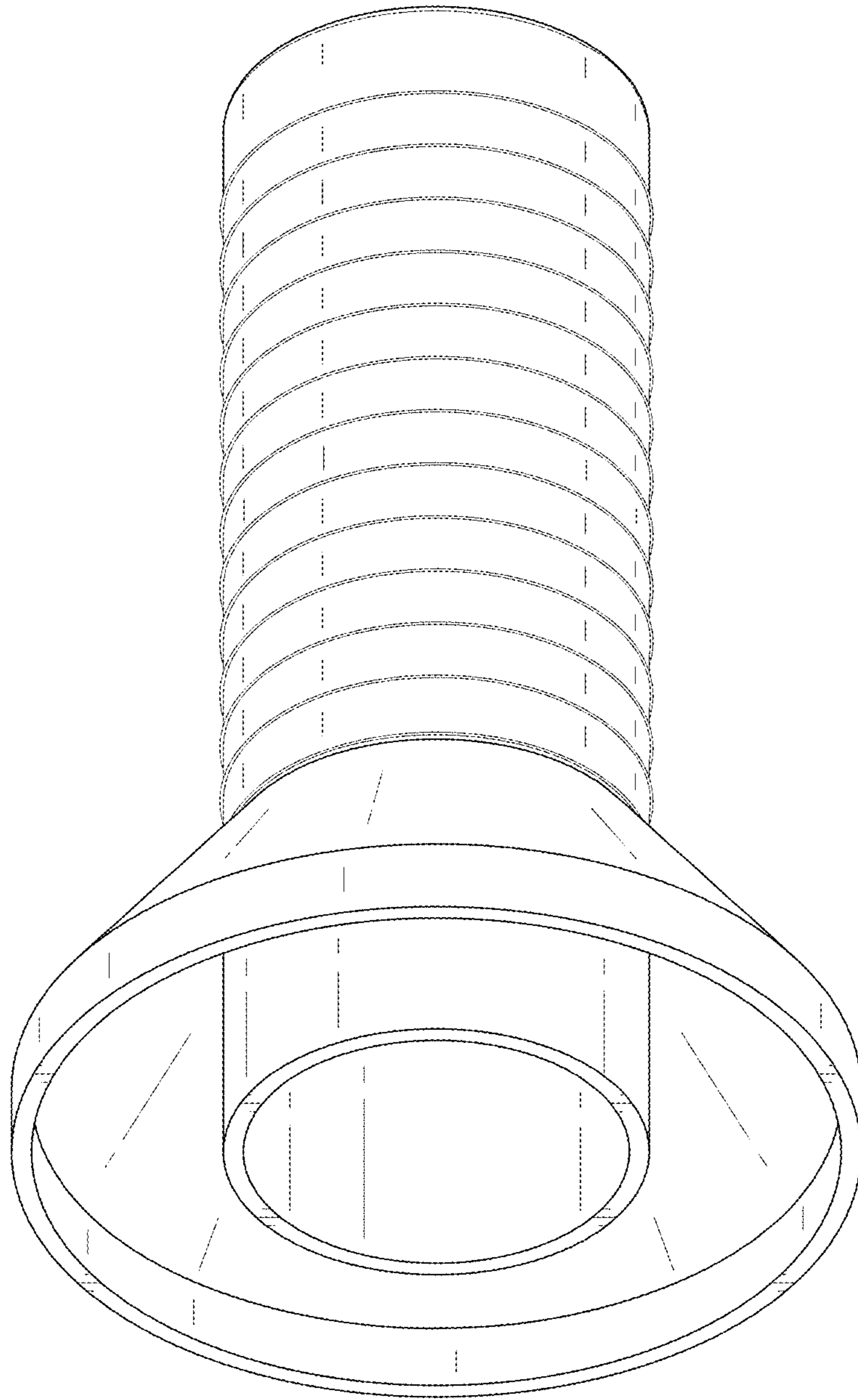


FIG. 2

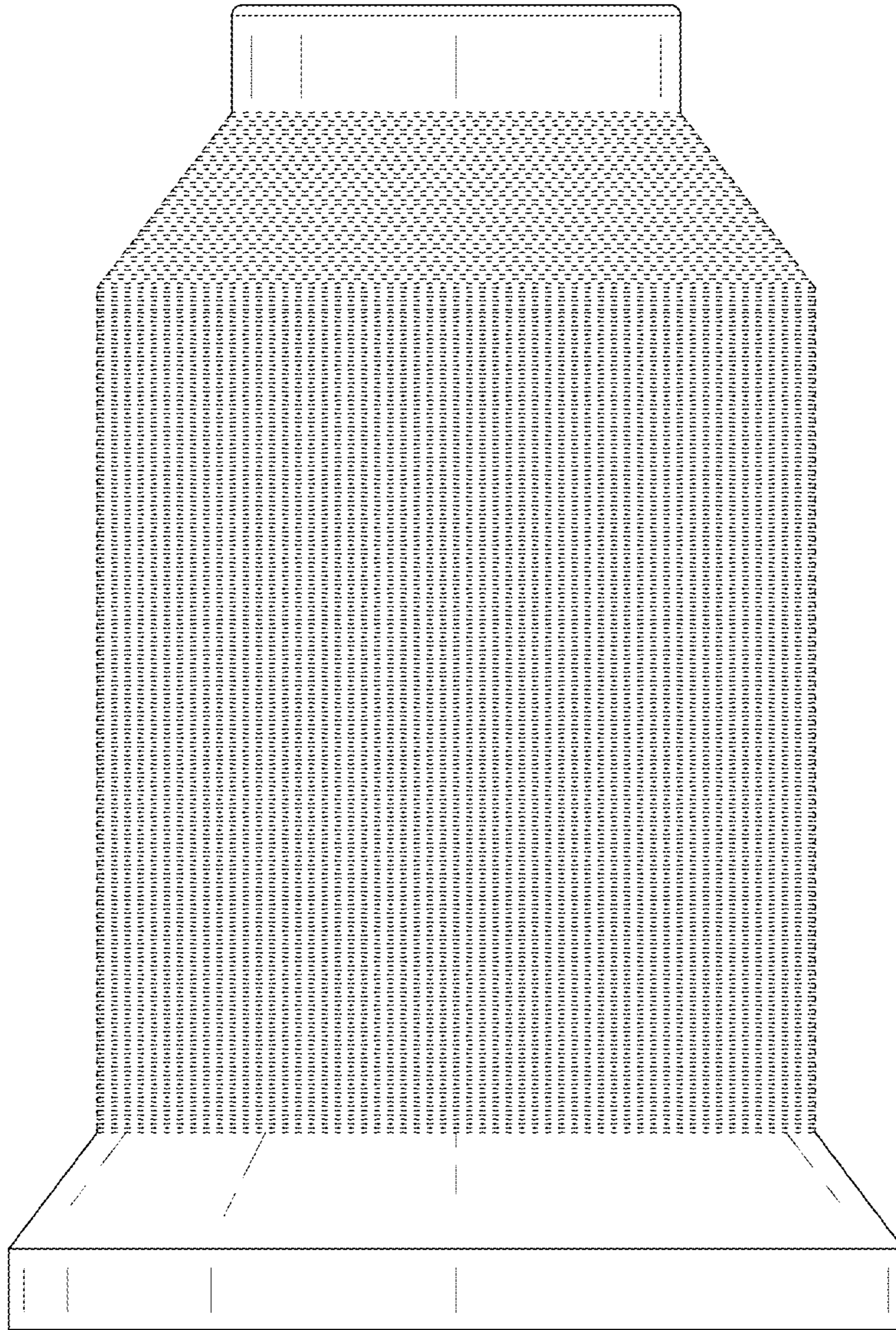


FIG. 3

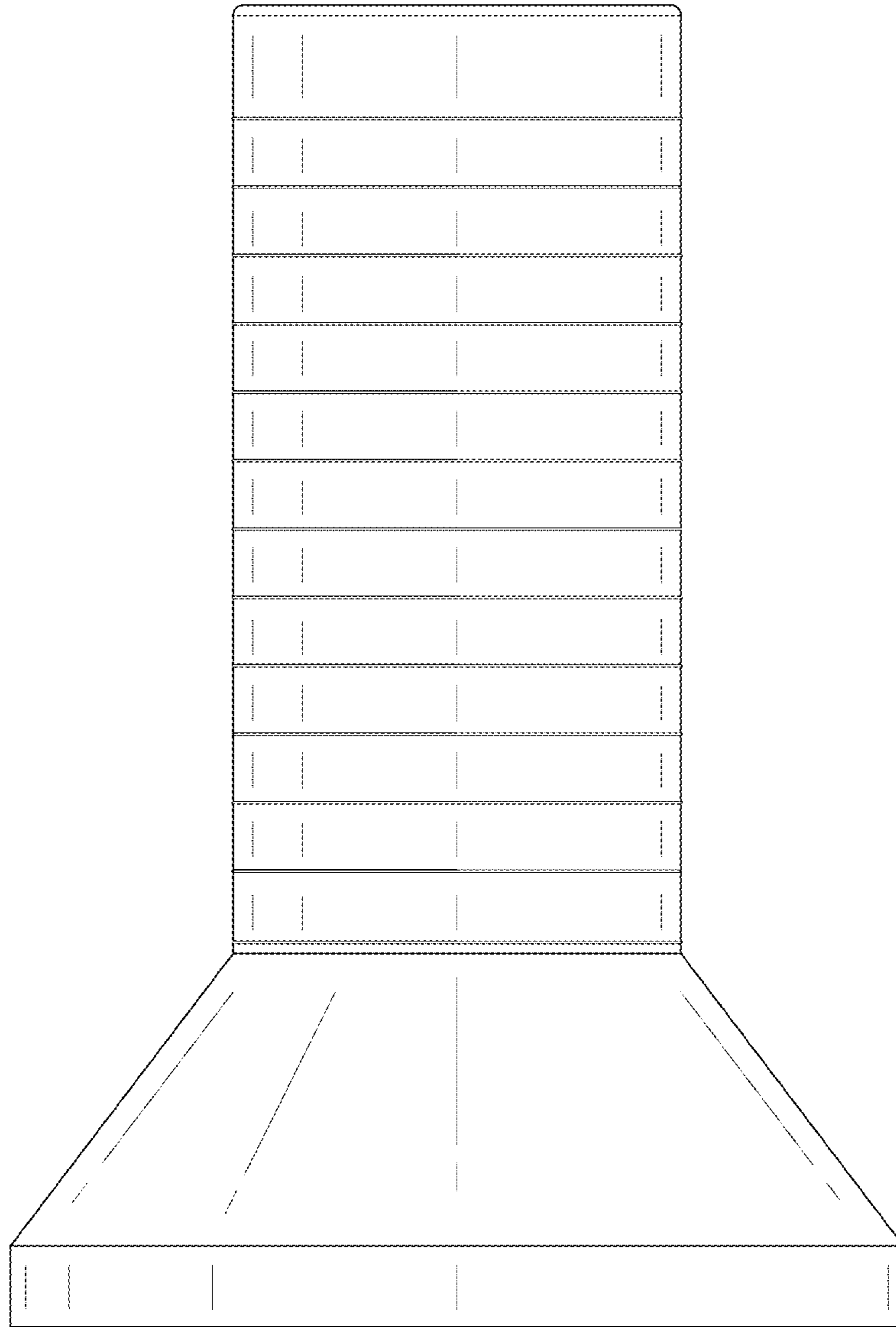


FIG. 4

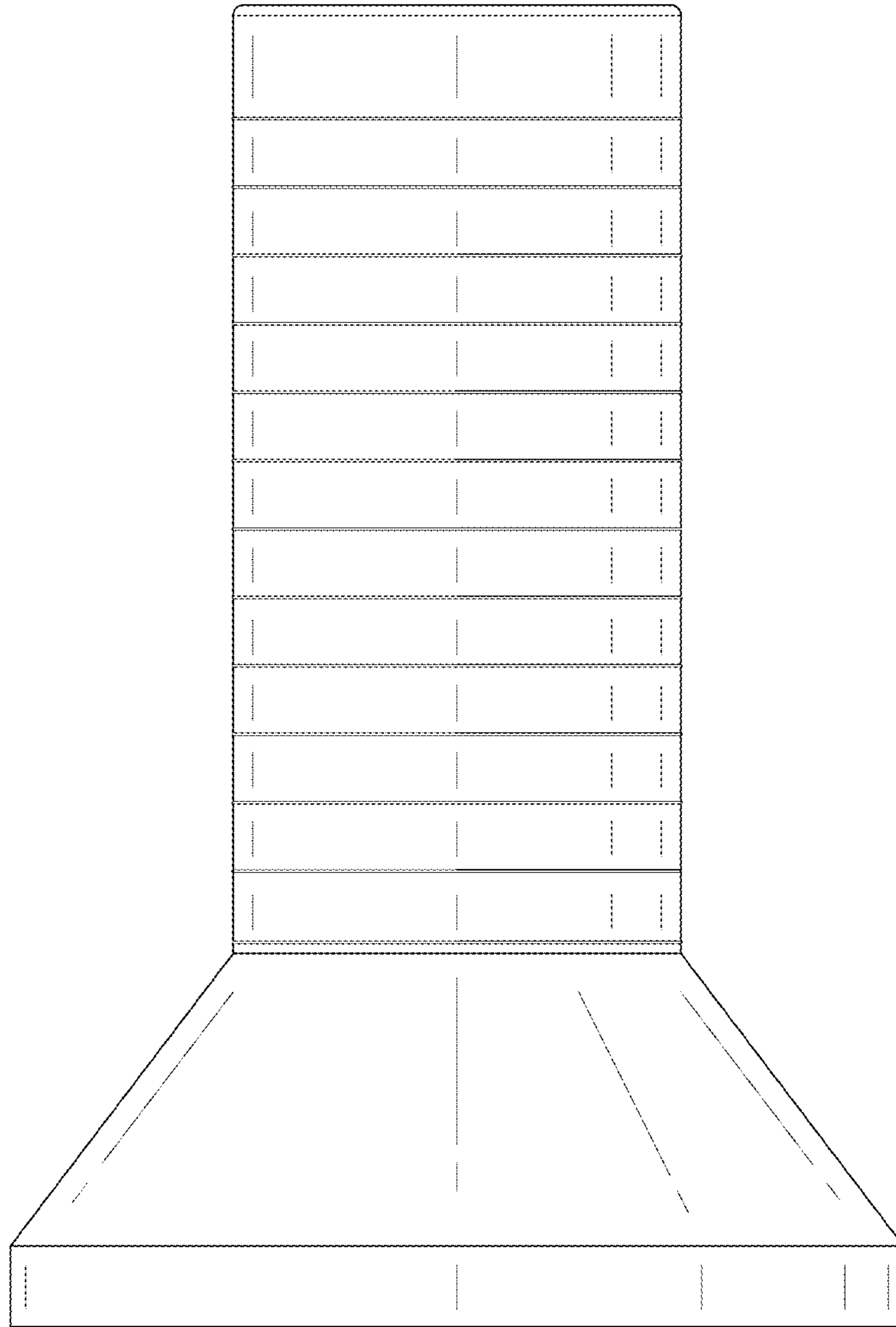


FIG. 5

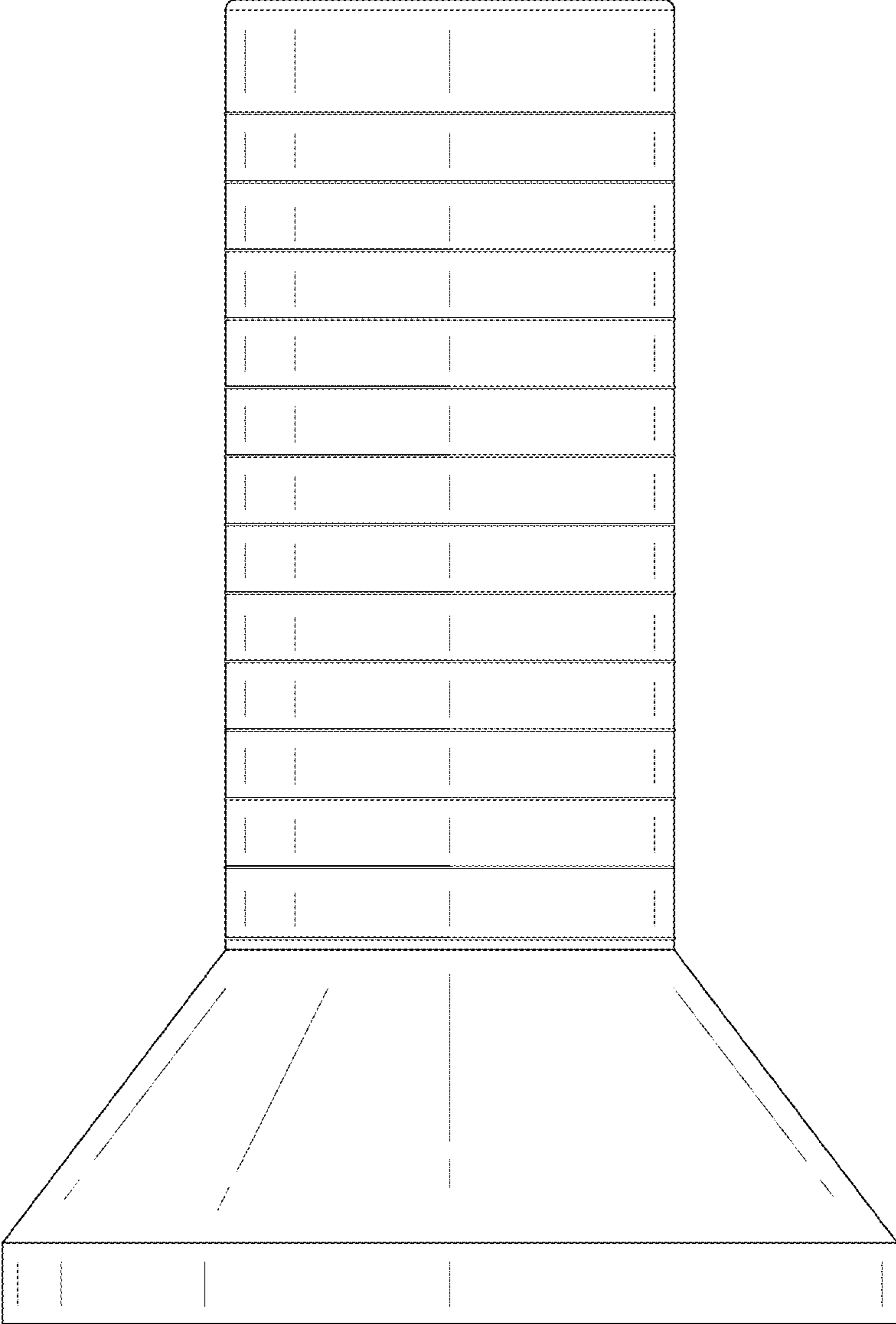


FIG. 6

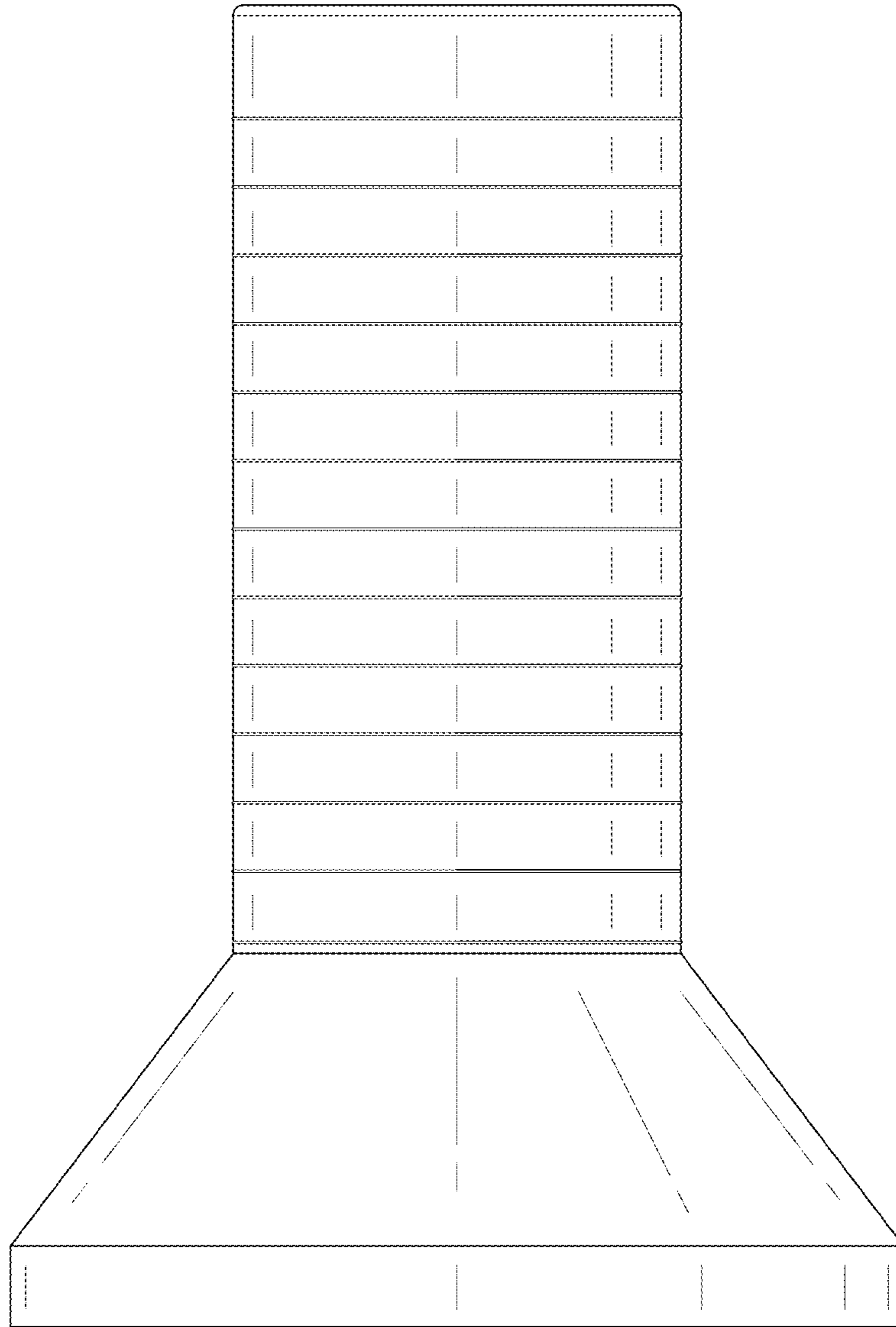


FIG. 7

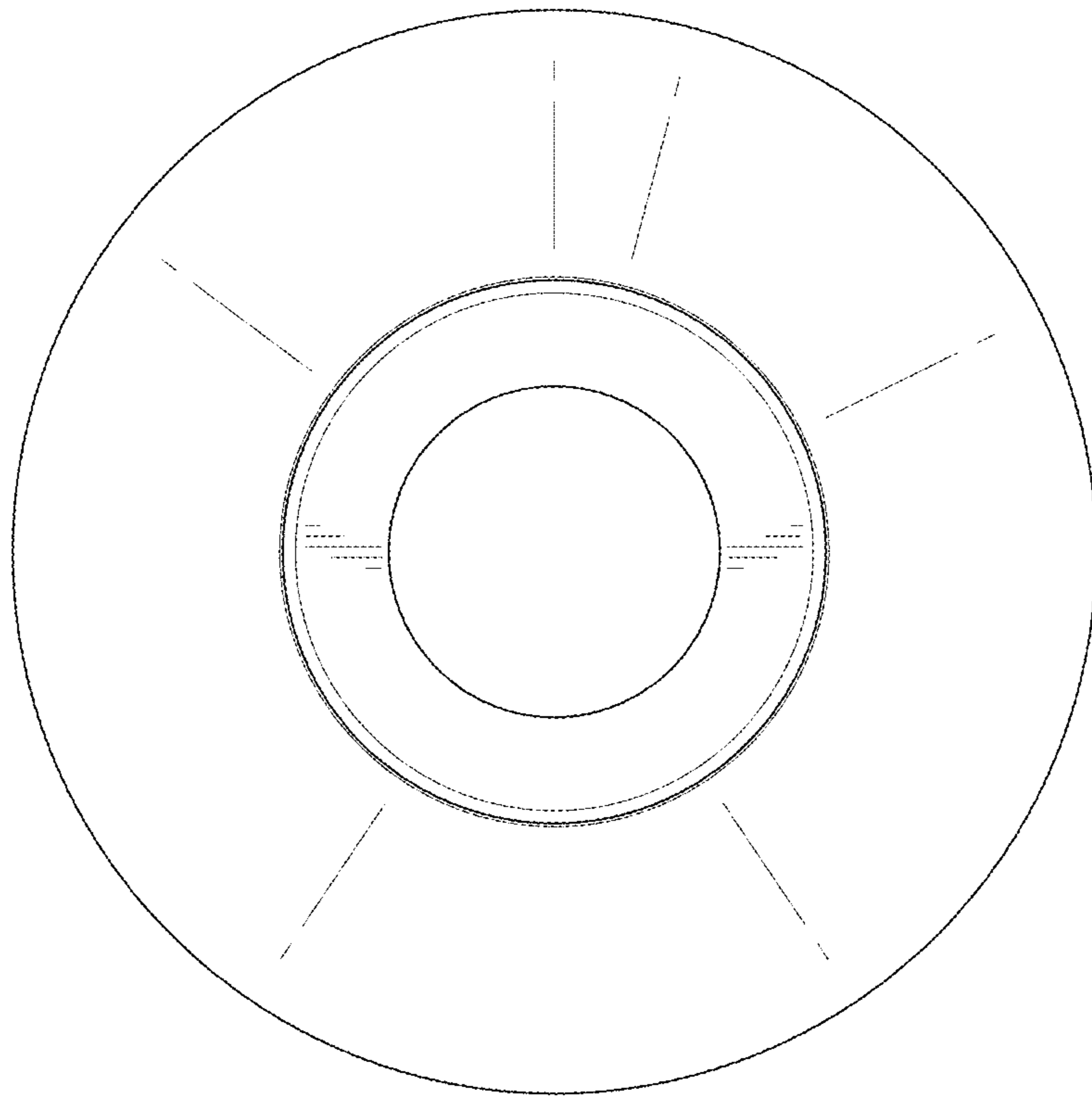


FIG. 8

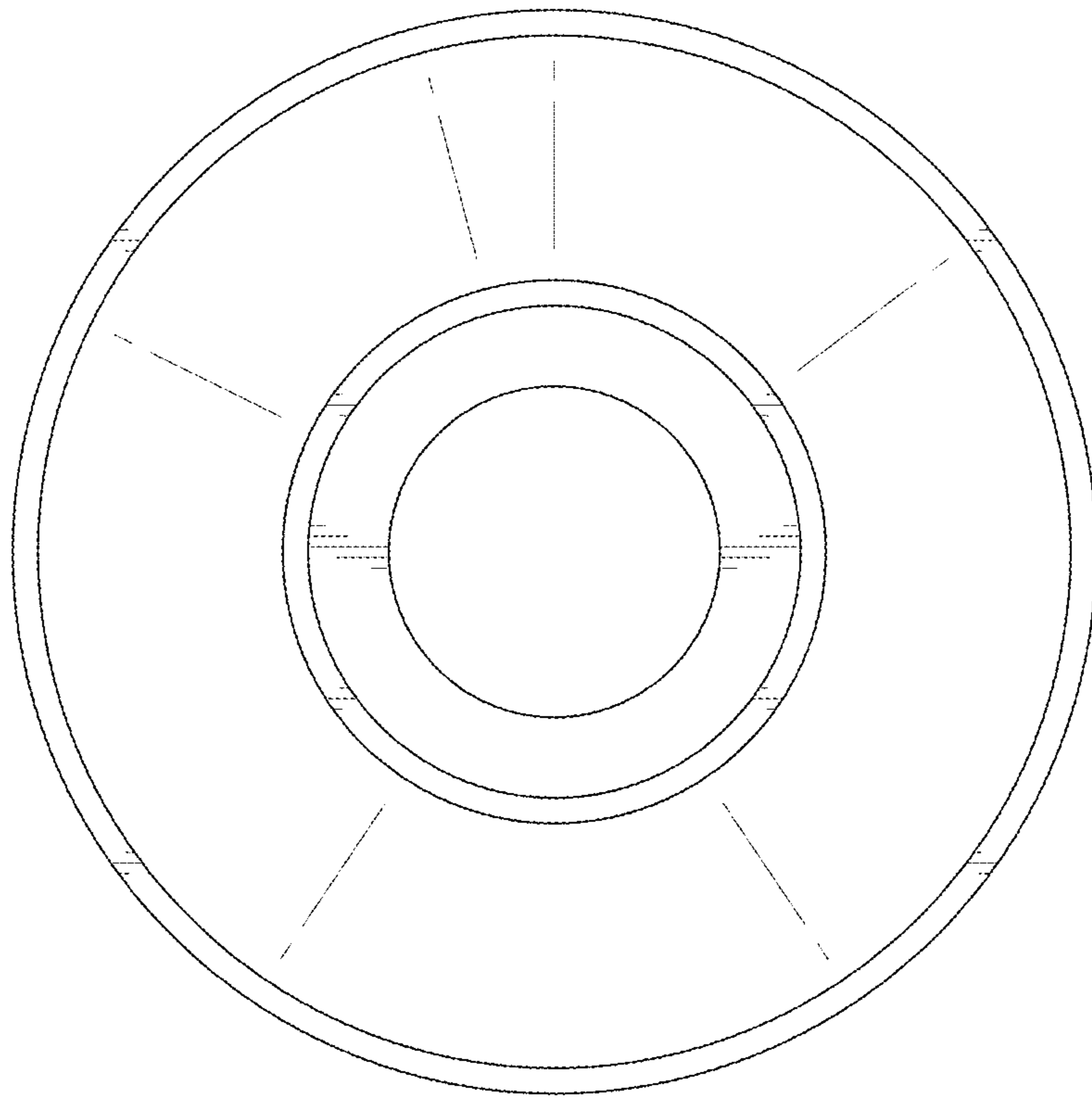


FIG. 9