



US00D891486S

(12) **United States Design Patent**
Muto

(10) **Patent No.:** **US D891,486 S**

(45) **Date of Patent:** **** Jul. 28, 2020**

(54) **SEWING MACHINE**

(71) Applicant: **JANOME SEWING MACHINE Co., Ltd.**, Hachioji-shi, Tokyo (JP)

(72) Inventor: **Hideki Muto**, Hachioji (JP)

(73) Assignee: **JANOME SEWING MACHINE CO., LTD.**, Hachioji-Shi, Tokyo (JP)

(**) Term: **15 Years**

(21) Appl. No.: **29/677,395**

(22) Filed: **Jan. 19, 2019**

(30) **Foreign Application Priority Data**

Jul. 31, 2018 (JP) 2018-016733

(51) **LOC (12) Cl.** **15-06**

(52) **U.S. Cl.**
USPC **D15/69**

(58) **Field of Classification Search**
USPC D15/66-78
CPC D05B 1/00-25/00
See application file for complete search history.

(56) **References Cited**

U.S. PATENT DOCUMENTS

3,913,506	A *	10/1975	Adams	G05B 19/108 112/470.04
4,099,474	A *	7/1978	Hamlett	D05B 75/06 112/258
D289,403	S *	4/1987	Yoneda	D15/69
D300,543	S *	4/1989	Yoneda	D15/70
D506,212	S *	6/2005	Kuroki	D15/69
D509,516	S *	9/2005	Kuroki	D15/69
D514,599	S *	2/2006	Egami	D15/69
D523,031	S *	6/2006	Muto	D15/69
D523,449	S *	6/2006	Muto	D15/70
D524,829	S *	7/2006	Muto	D15/69
D590,849	S *	4/2009	Muller	D15/66

D594,481	S *	6/2009	Inada	D15/69
D628,605	S *	12/2010	Mutoh	D15/69
D628,606	S *	12/2010	Kanai	D15/70
D648,758	S *	11/2011	Muto	D15/69
D661,324	S *	6/2012	Rohner	D15/69
D671,567	S *	11/2012	Muto	D15/69
D671,961	S *	12/2012	Elmeke	D15/69
D671,962	S *	12/2012	Elmeke	D15/69
D678,363	S *	3/2013	Asano	D15/69
D687,869	S *	8/2013	Hattori	D15/69
D687,870	S *	8/2013	Hattori	D15/69
D691,181	S *	10/2013	Asano	D15/69
D703,243	S *	4/2014	Hideki	D15/69
D709,923	S *	7/2014	Muto	D15/69

(Continued)

Primary Examiner — Mitchell I. Siegel

(74) *Attorney, Agent, or Firm* — McGinn IP Law Group, PLLC

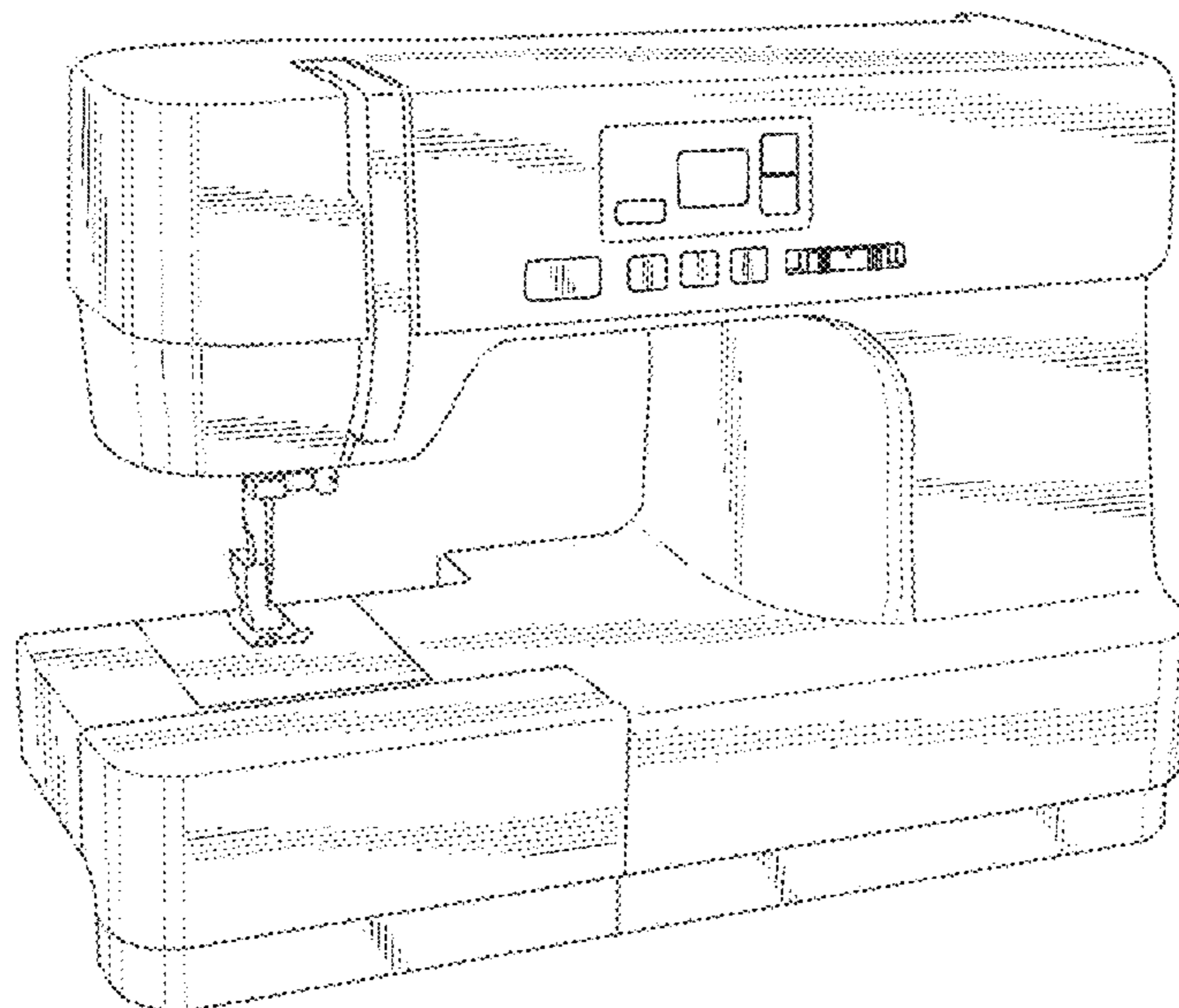
(57) **CLAIM**

The ornamental design for sewing machine, as shown and described.

DESCRIPTION

FIG. 1 is a front elevational view of a sewing machine showing my new design;
 FIG. 2 is a rear elevational view thereof;
 FIG. 3 is a left side elevational view thereof;
 FIG. 4 is a right side elevational view thereof;
 FIG. 5 is a top plan view thereof;
 FIG. 6 is a bottom plan view thereof;
 FIG. 7 is a front perspective view of a sewing machine showing thereof;
 FIG. 8 is a front perspective view of a sewing machine thereof;
 FIG. 9 is a front perspective view of state in which auxiliary floor is removed; and,
 FIG. 10 is a front perspective view of state in which auxiliary floor is removed.

1 Claim, 10 Drawing Sheets



(56)

References Cited

U.S. PATENT DOCUMENTS

D724,110 S *	3/2015	Asano	D15/69
D724,111 S *	3/2015	Asano	D15/69
D725,684 S *	3/2015	Muto	D15/69
D725,685 S *	3/2015	Muto	D15/69
D765,149 S *	8/2016	Yamamoto	D15/69
D879,159 S *	3/2020	Yamamoto	D15/69

* cited by examiner

Fig. 1

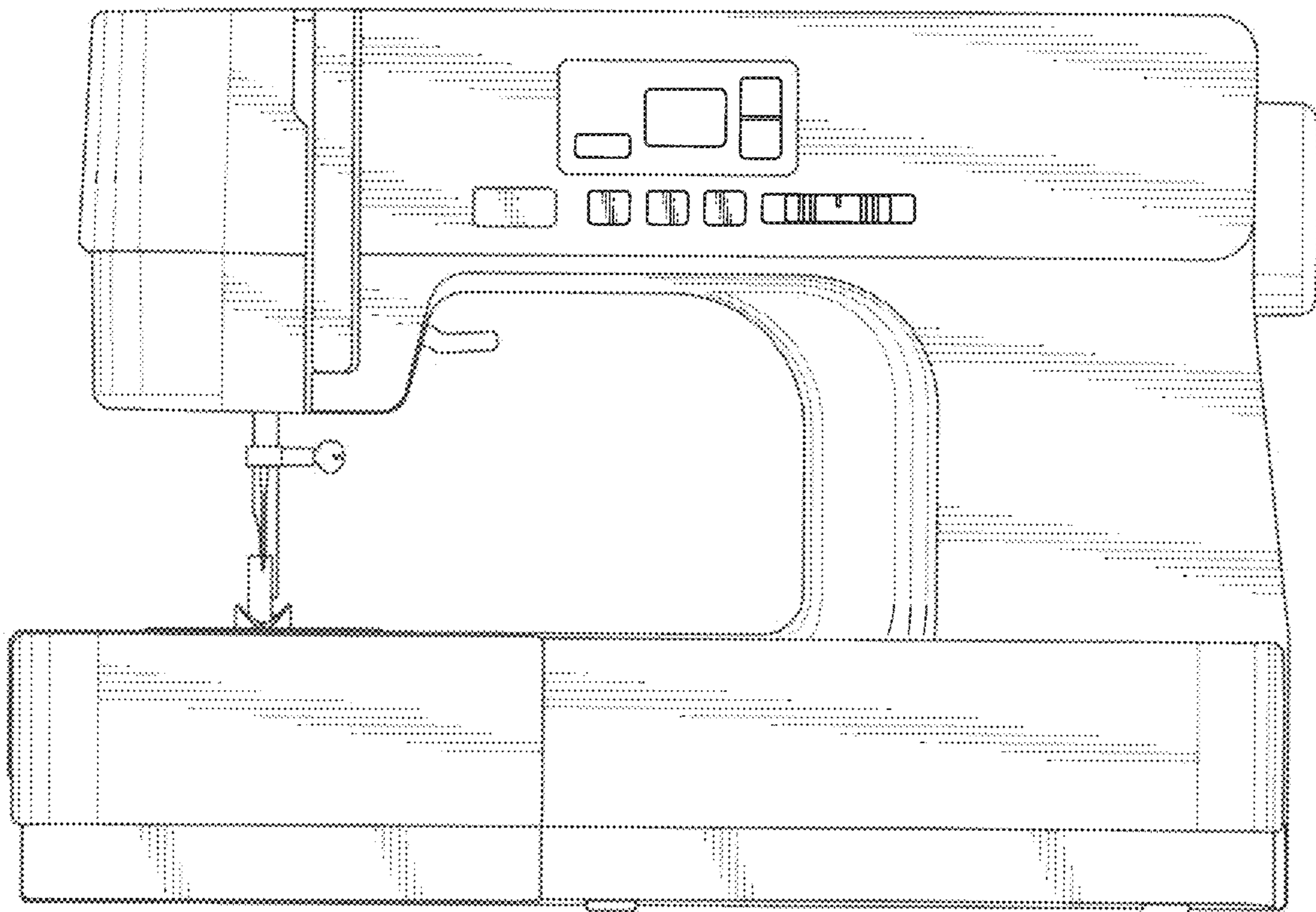


Fig. 2

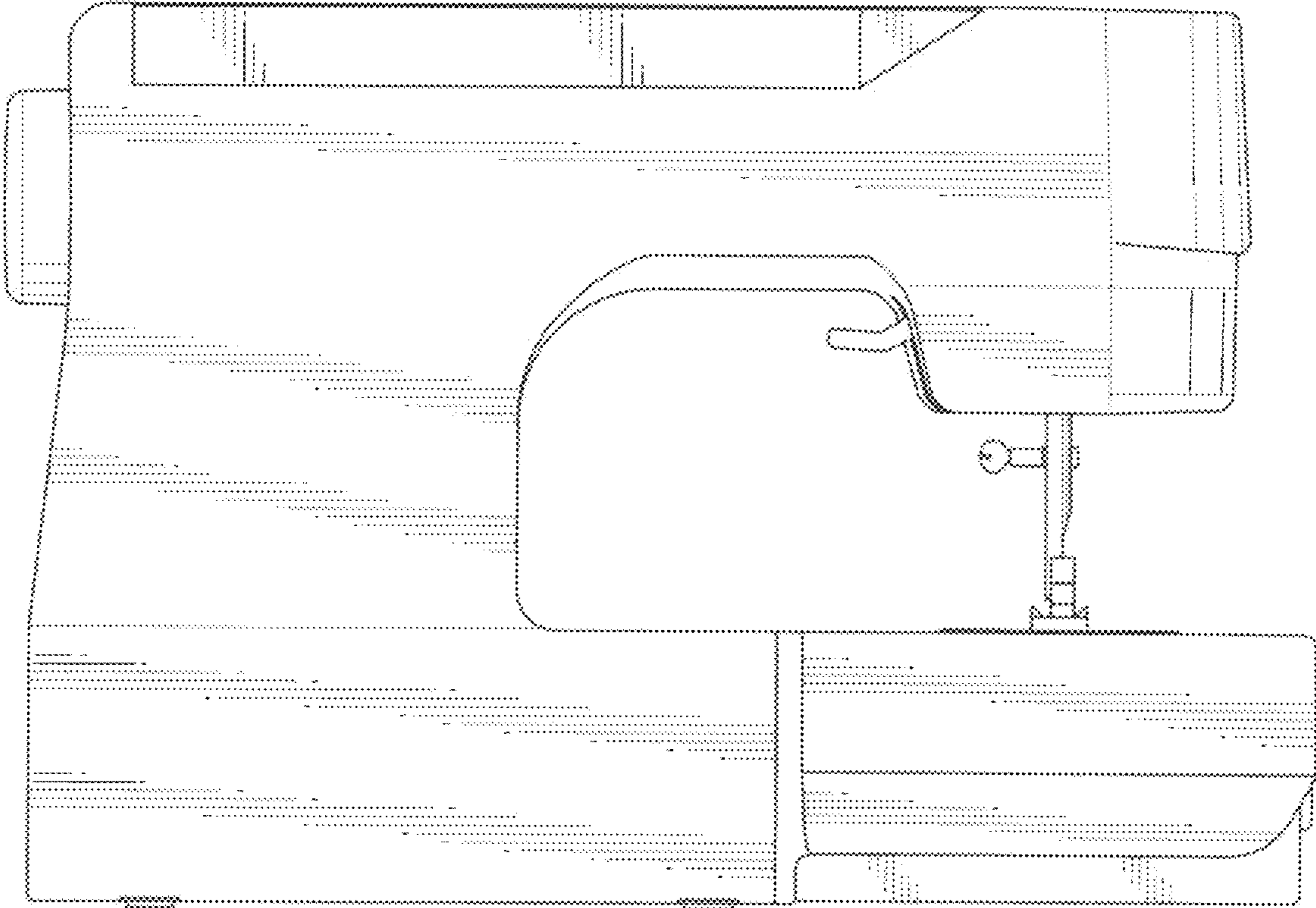


Fig. 3

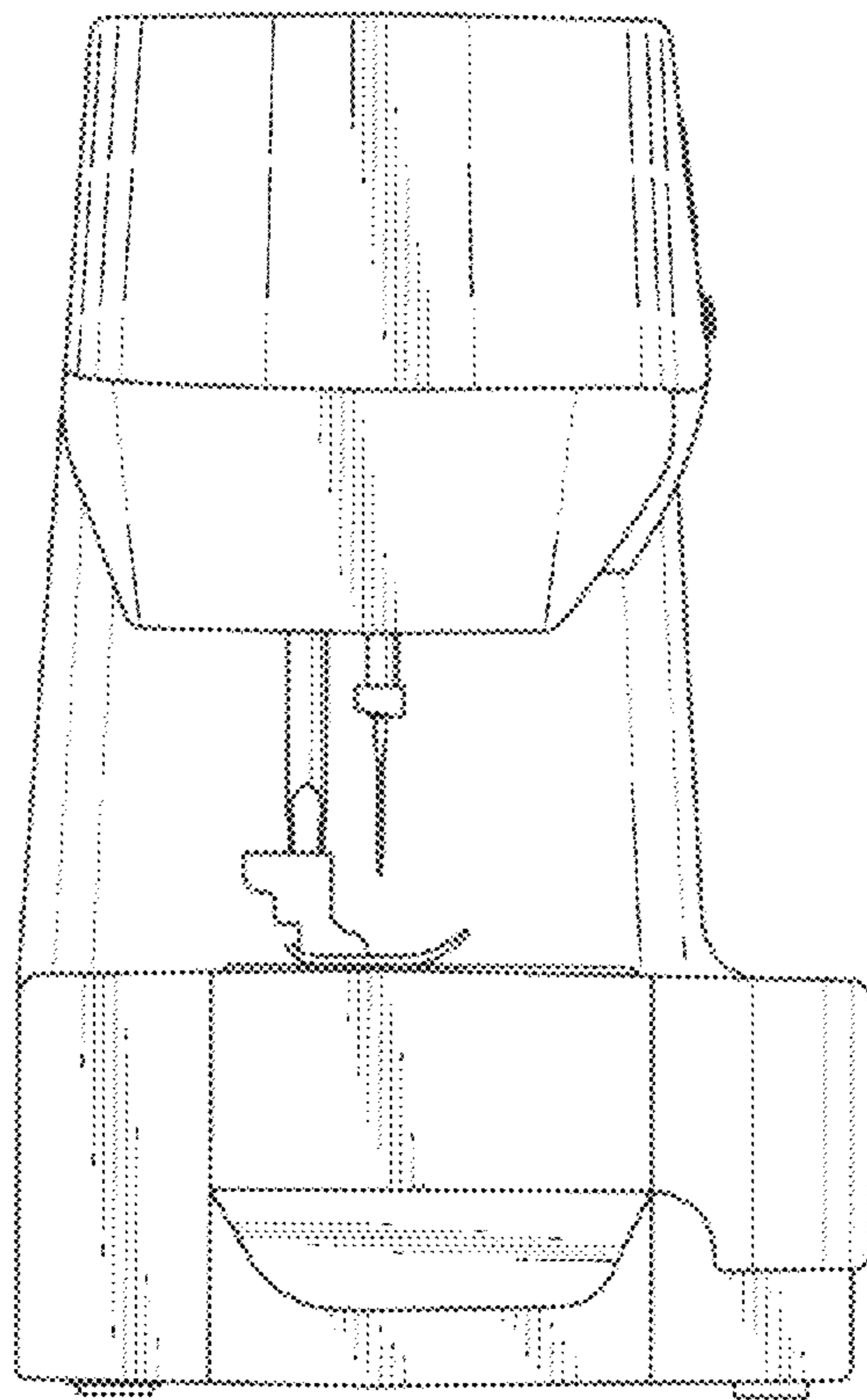


Fig. 4

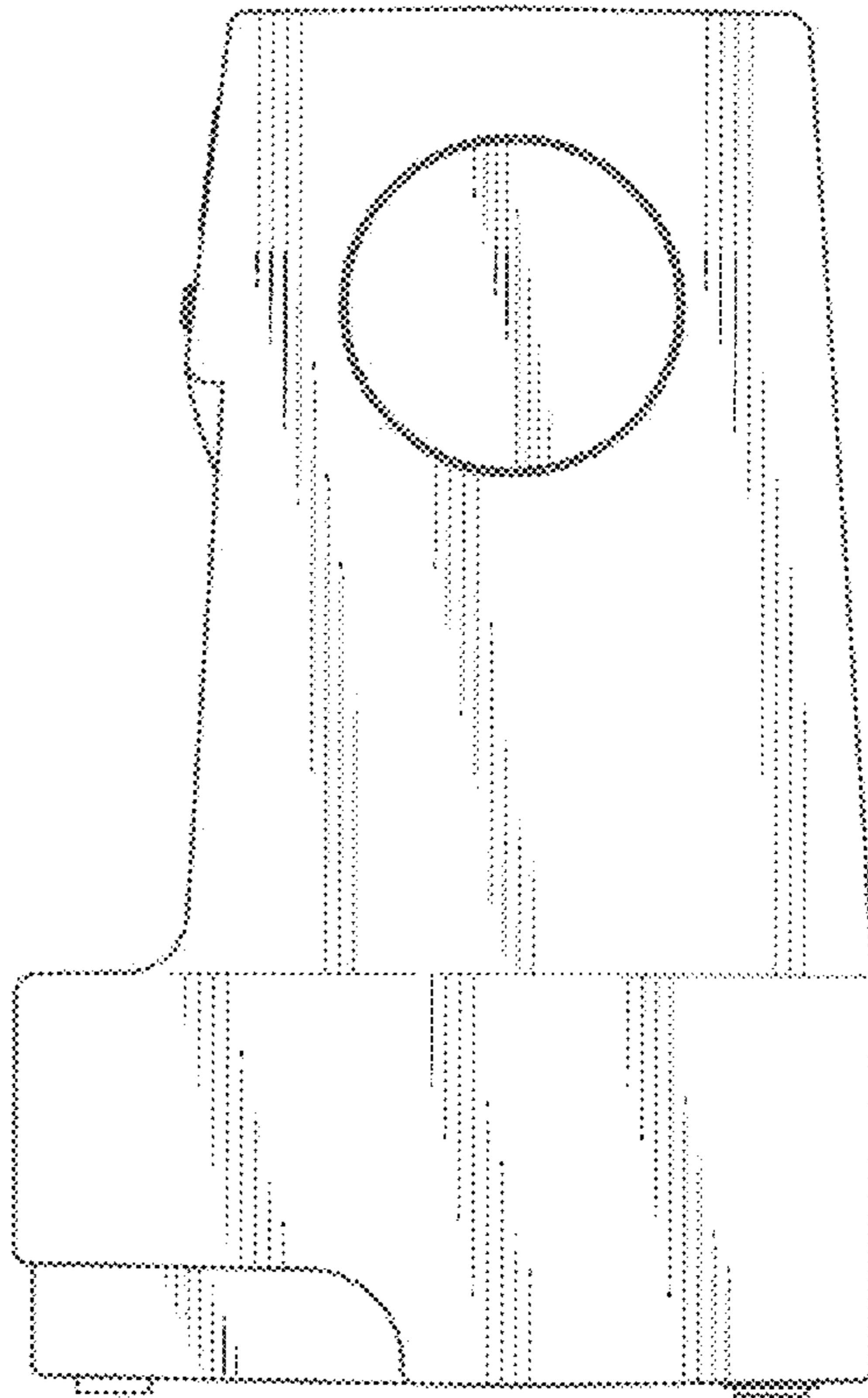


Fig. 5

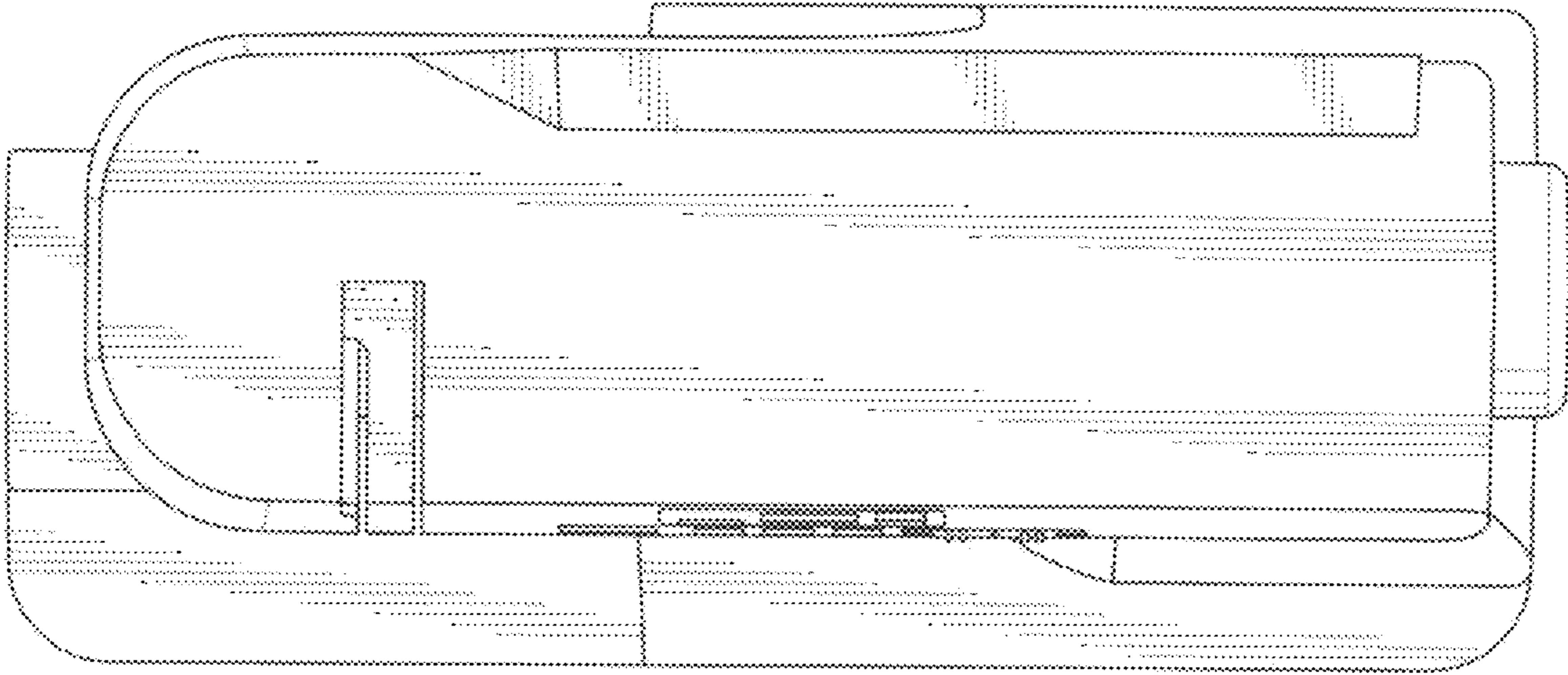


Fig. 6

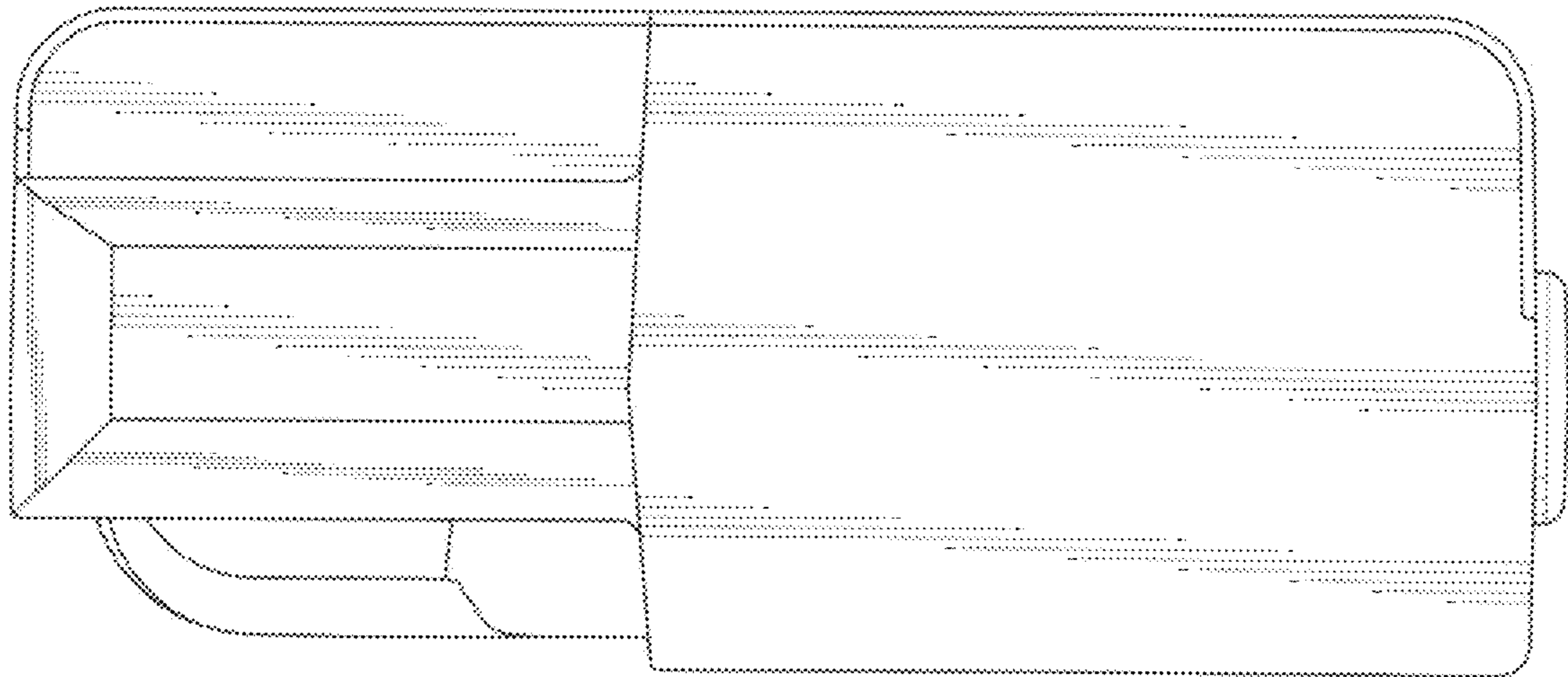


Fig. 7

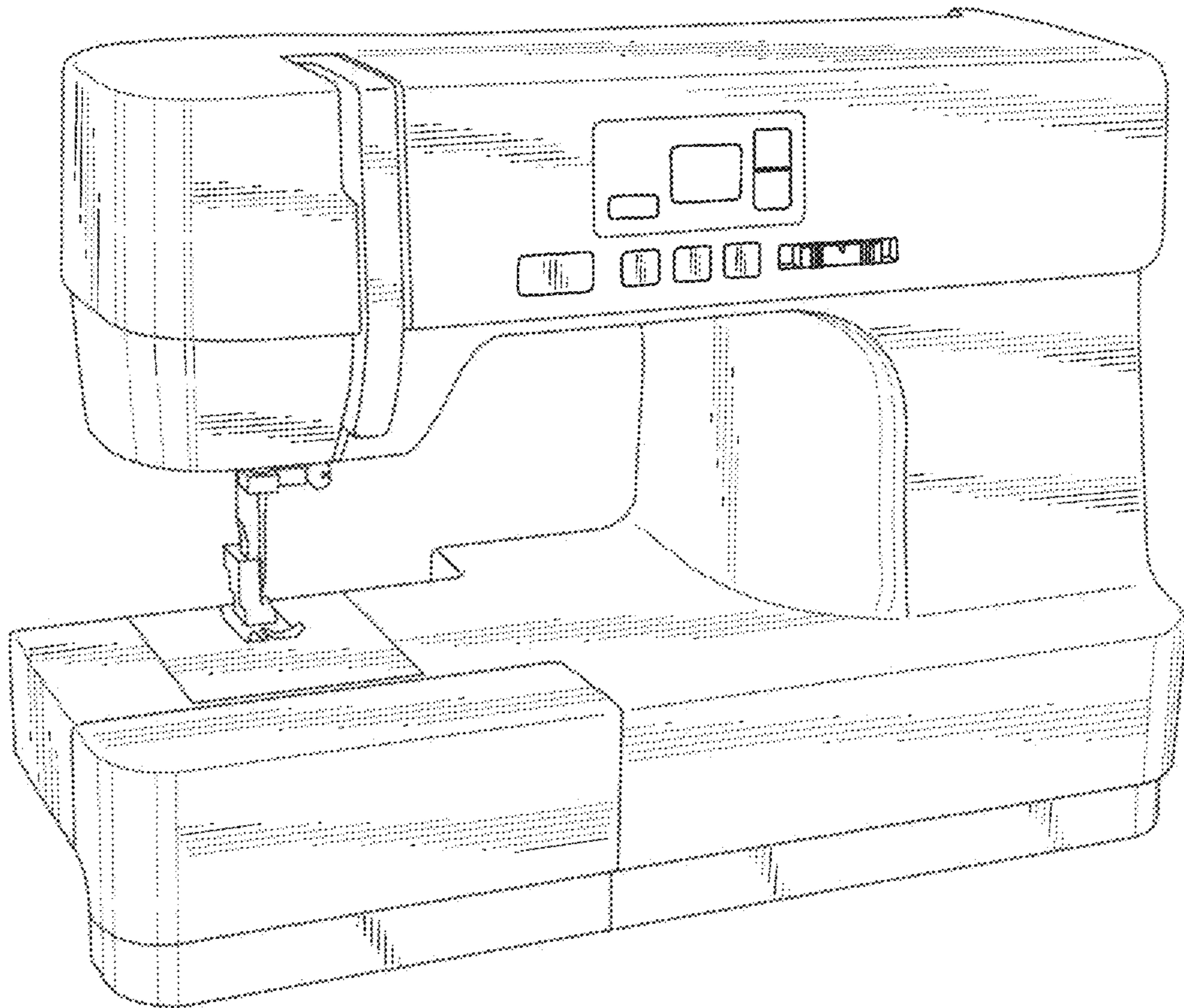


Fig. 8

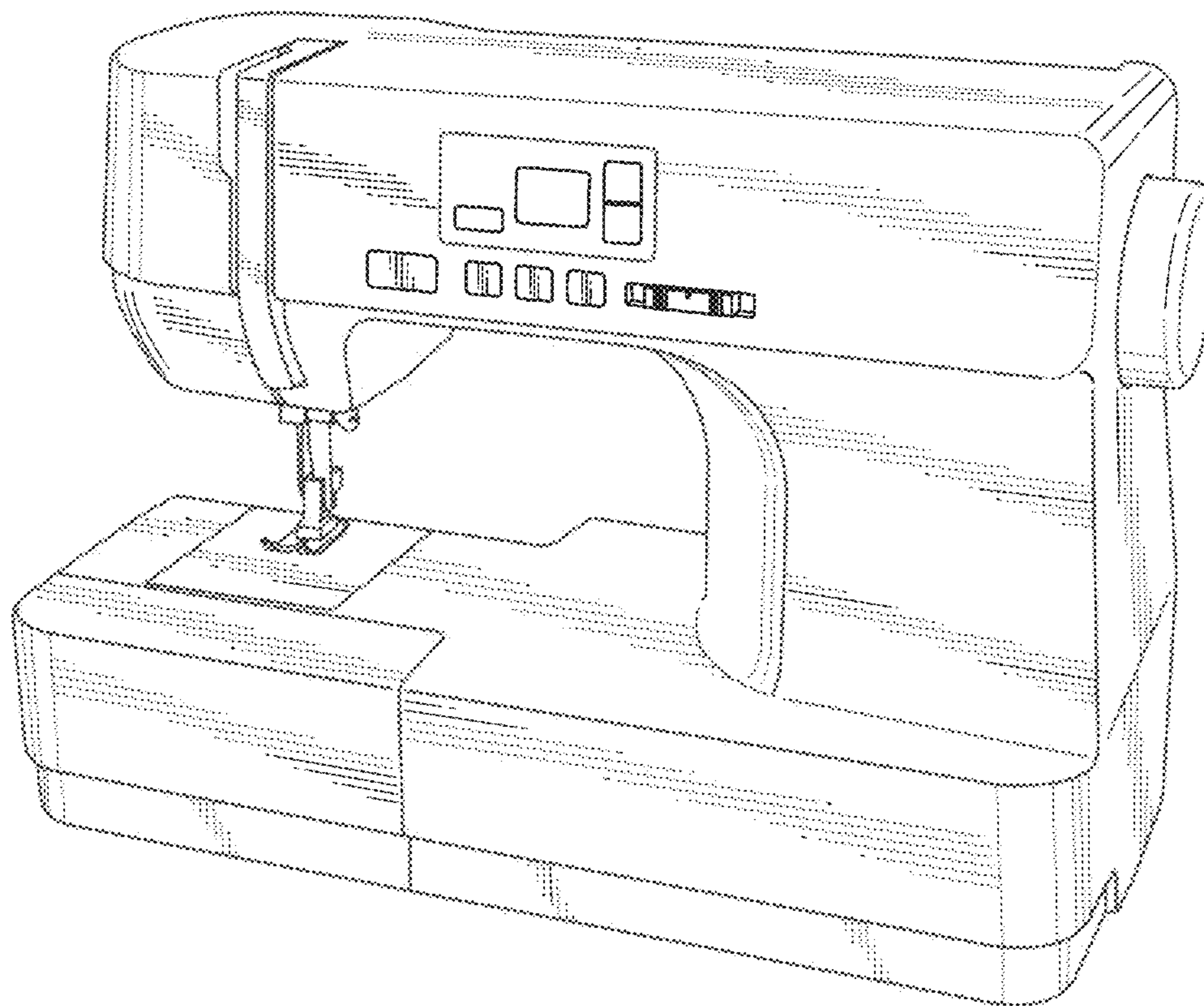


Fig. 9

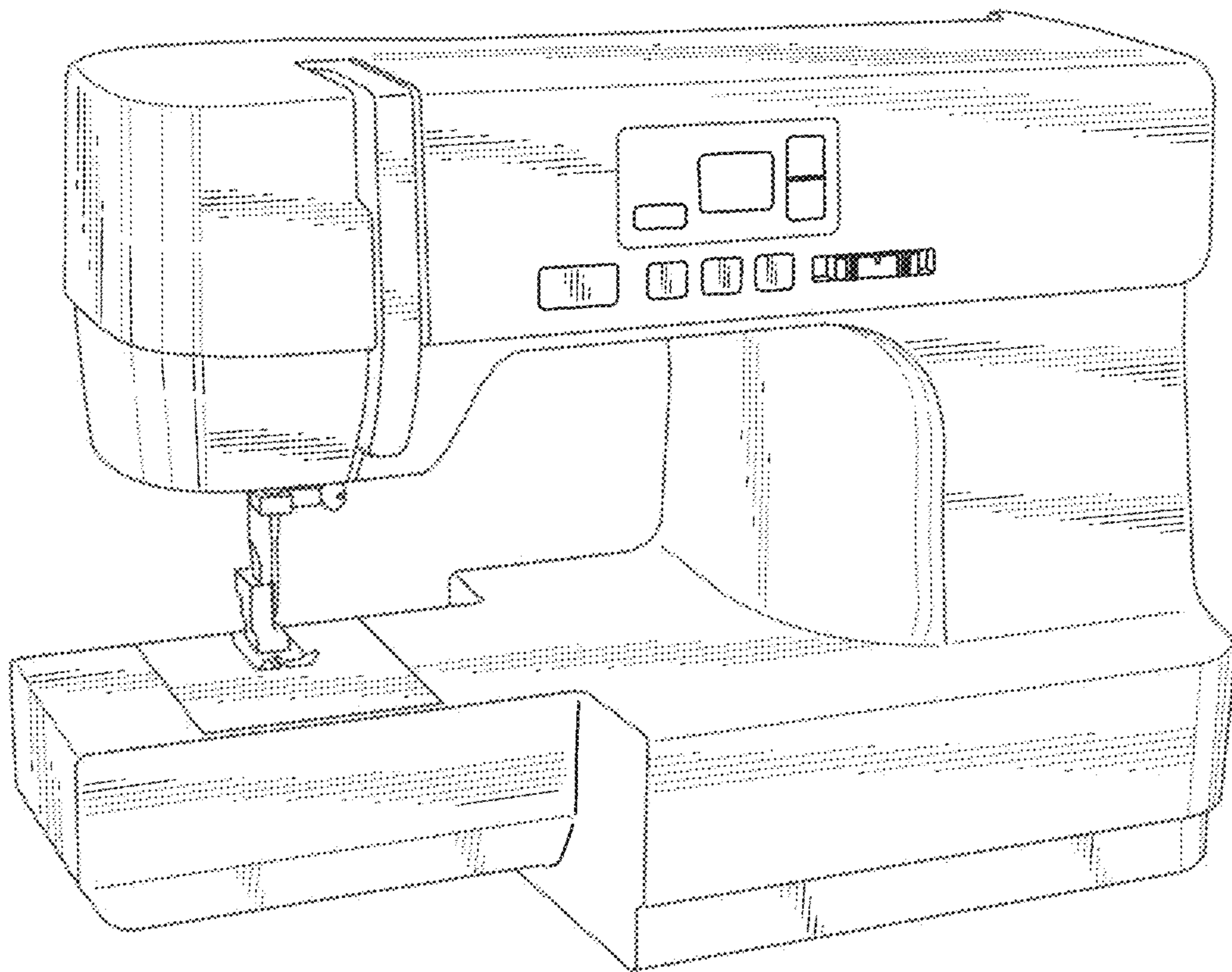


Fig. 10

