



US00D891485S

(12) **United States Design Patent** (10) **Patent No.:** **US D891,485 S**
Lonati et al. (45) **Date of Patent:** **** Jul. 28, 2020**

(54) **TEXTILE MACHINE** 4,539,825 A * 9/1985 Colosio D04B 15/68
66/145 R
(71) Applicant: **SANTONI S.P.A.**, Brescia (IT) D311,745 S * 10/1990 Wieland D15/66
5,761,931 A * 6/1998 Lonati D04B 9/56
66/148
(72) Inventors: **Ettore Lonati**, Botticino (IT); **Fausto Lonati**, Brescia (IT); **Andrea Lonati**, Brescia (IT) D511,533 S * 11/2005 Bossy D15/66
D511,784 S * 11/2005 Bossy D15/66
6,983,625 B2 * 1/2006 Weber D04B 15/00
66/8
(73) Assignee: **SANTONI S.P.A.**, Brescia (IT) 7,310,976 B1 * 12/2007 Renda D04B 125/38
66/125 R
(**) Term: **15 Years** 8,245,544 B2 * 8/2012 Lonati D04B 15/34
66/216
(21) Appl. No.: **29/666,505** D771,153 S * 11/2016 Lonati D15/66
D771,154 S * 11/2016 Lonati D15/78
D772,310 S * 11/2016 Lonati D15/66
(22) Filed: **Oct. 12, 2018** 10,351,981 B2 * 7/2019 Lonati D04B 15/00
2010/0192637 A1 * 8/2010 Lonati D04B 9/06
66/19

(30) **Foreign Application Priority Data**

Apr. 12, 2018 (EM) 005232022-0001

(51) **LOC (12) Cl.** **15-06**
(52) **U.S. Cl.**
USPC **D15/66**
(58) **Field of Classification Search**
USPC D15/66-78
CPC .. D04B 13/00; D04B 13/02; D04B 9/00-9/58
See application file for complete search history.

(56) **References Cited**

U.S. PATENT DOCUMENTS

D198,581 S * 7/1964 Kamp D15/66
3,859,822 A * 1/1975 Renda D04B 15/94
66/8
3,959,991 A * 6/1976 Brown D04B 15/00
66/8
3,959,992 A * 6/1976 Eschenbach D04B 15/00
66/8
4,033,147 A * 7/1977 King D04B 15/00
66/8
D246,244 S * 11/1977 Current D15/66
D247,900 S * 5/1978 Current D15/66

* cited by examiner

Primary Examiner — Mitchell I. Siegel
(74) *Attorney, Agent, or Firm* — Oliff PLC

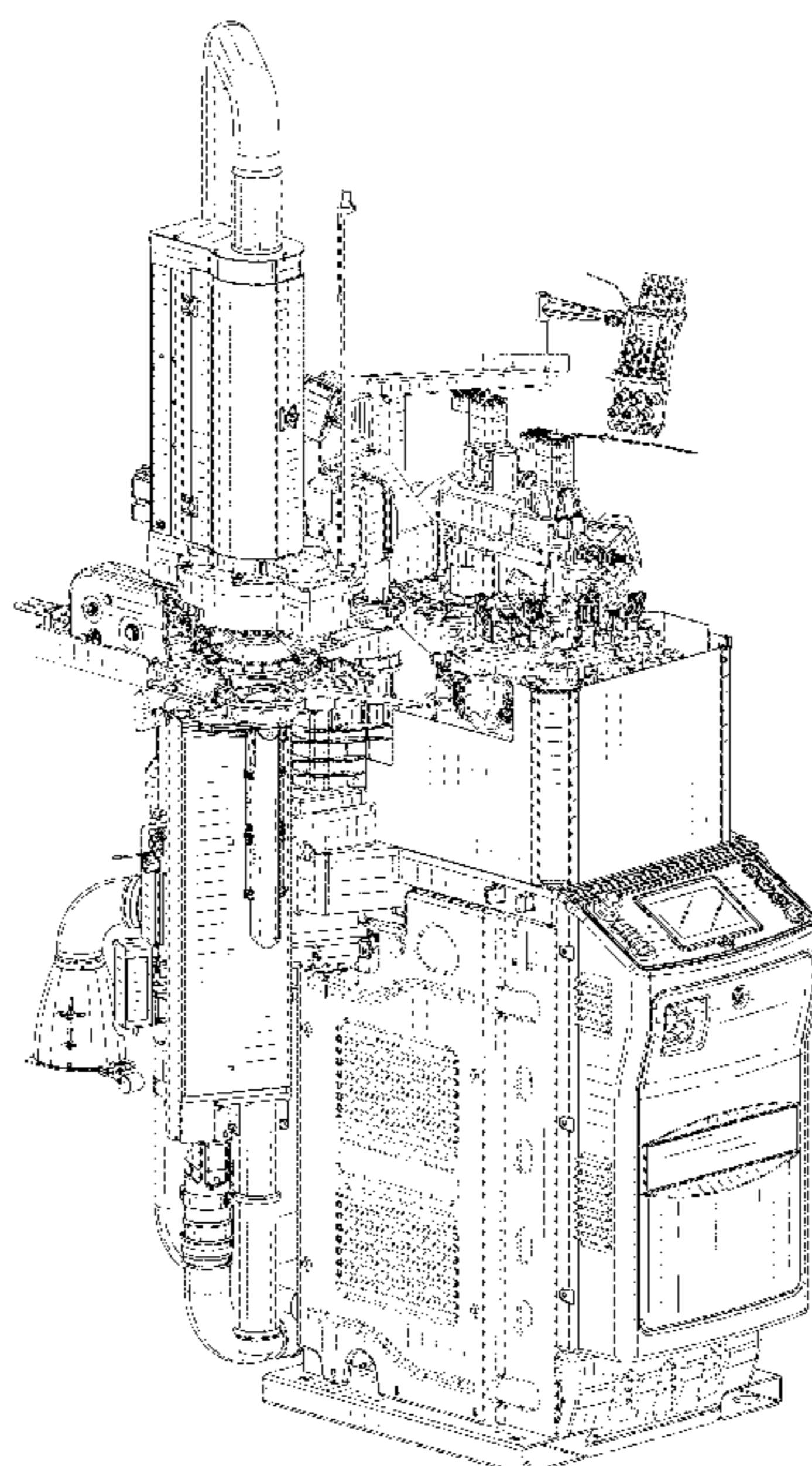
(57) **CLAIM**

The ornamental design for a textile machine, as shown and described.

DESCRIPTION

FIG. 1 is a front, left-side, top perspective view of the textile machine;
FIG. 2 is a top plan view thereof;
FIG. 3 is a bottom plan view thereof;
FIG. 4 is a front elevational view thereof;
FIG. 5 is a rear elevational view thereof;
FIG. 6 is a left-side elevational view thereof; and,
FIG. 7 is a right-side elevational view thereof.
The broken lines depict parts of the textile machine that form no part of the claimed design.

1 Claim, 7 Drawing Sheets



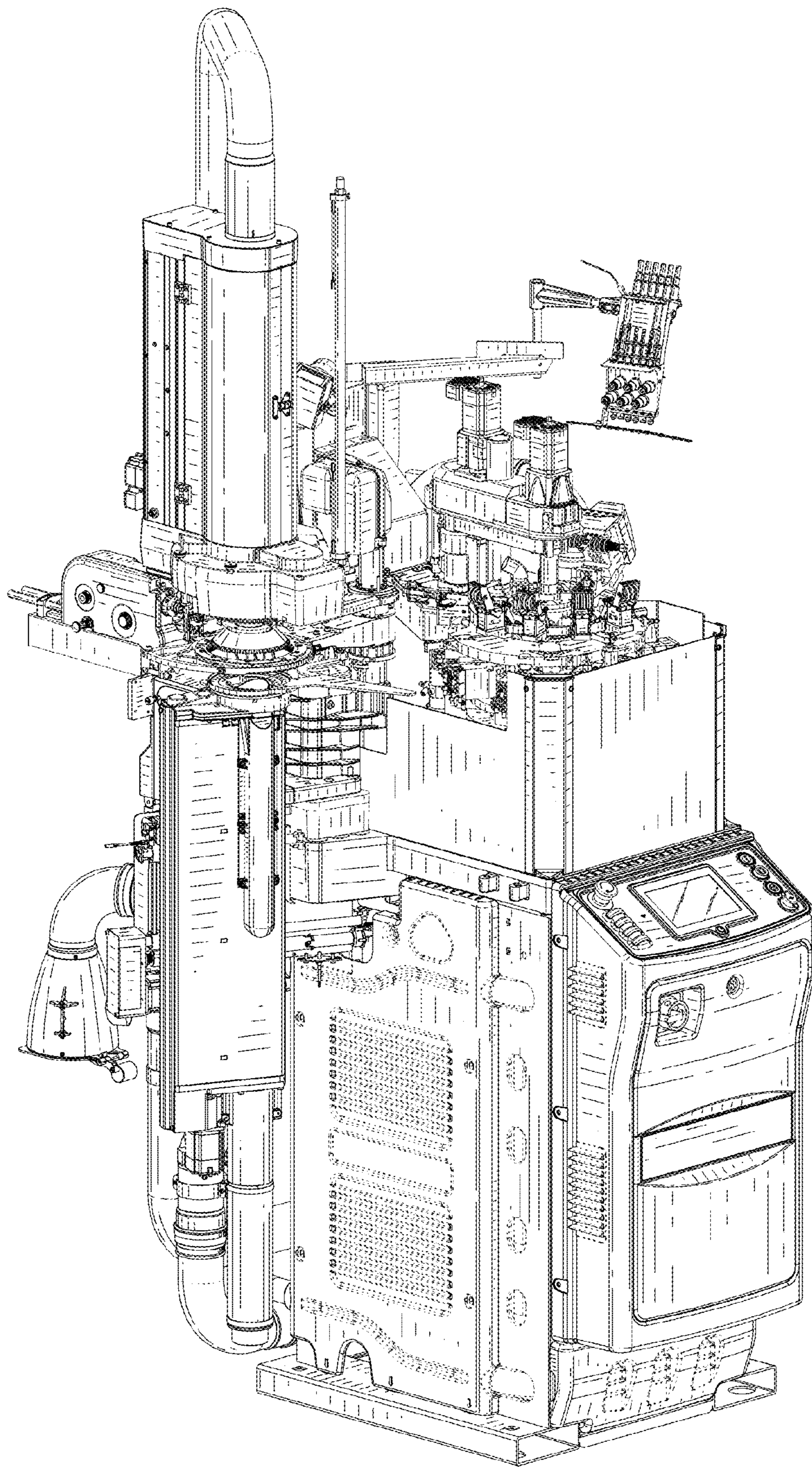


FIG.1

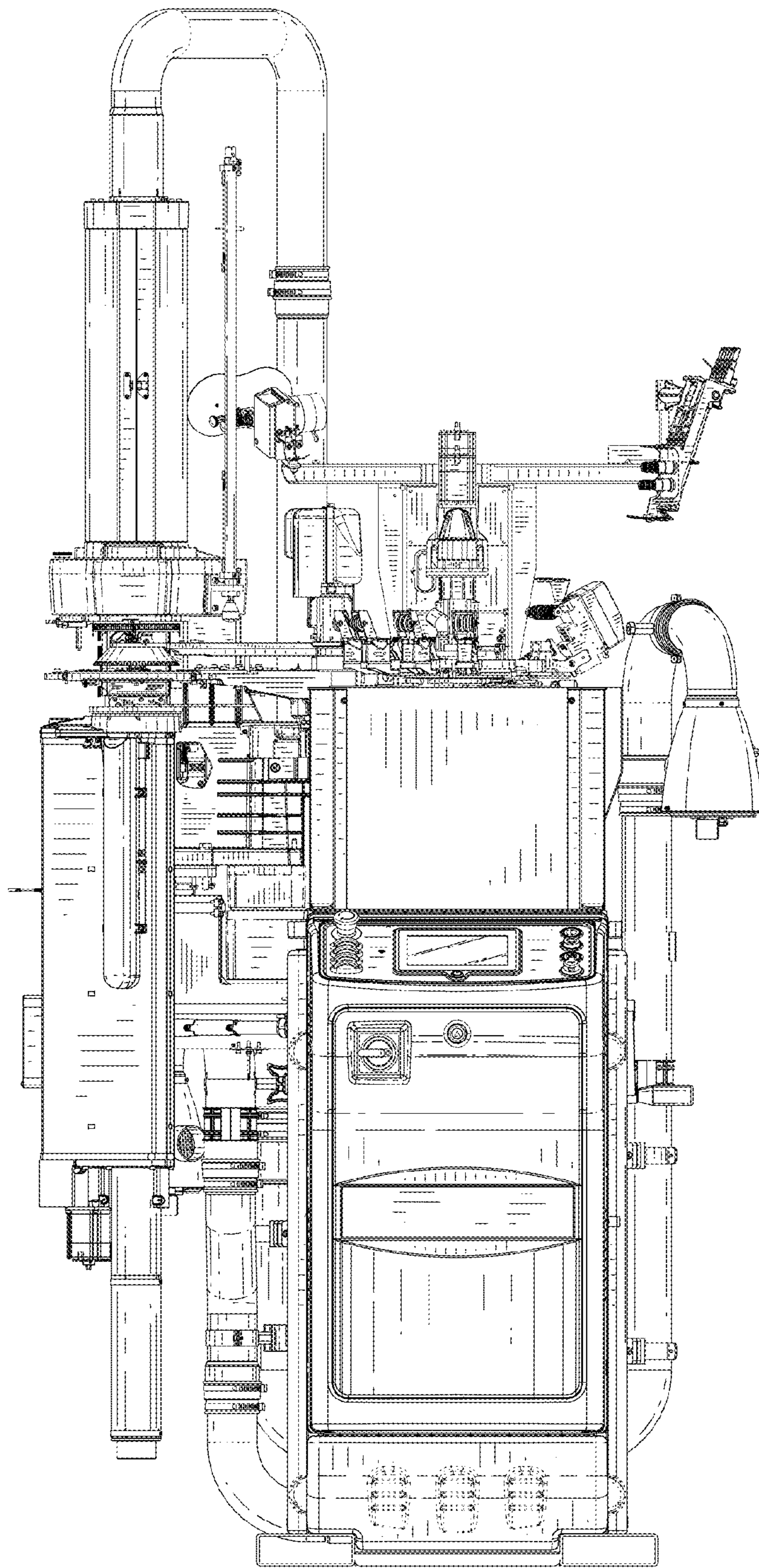


FIG.2

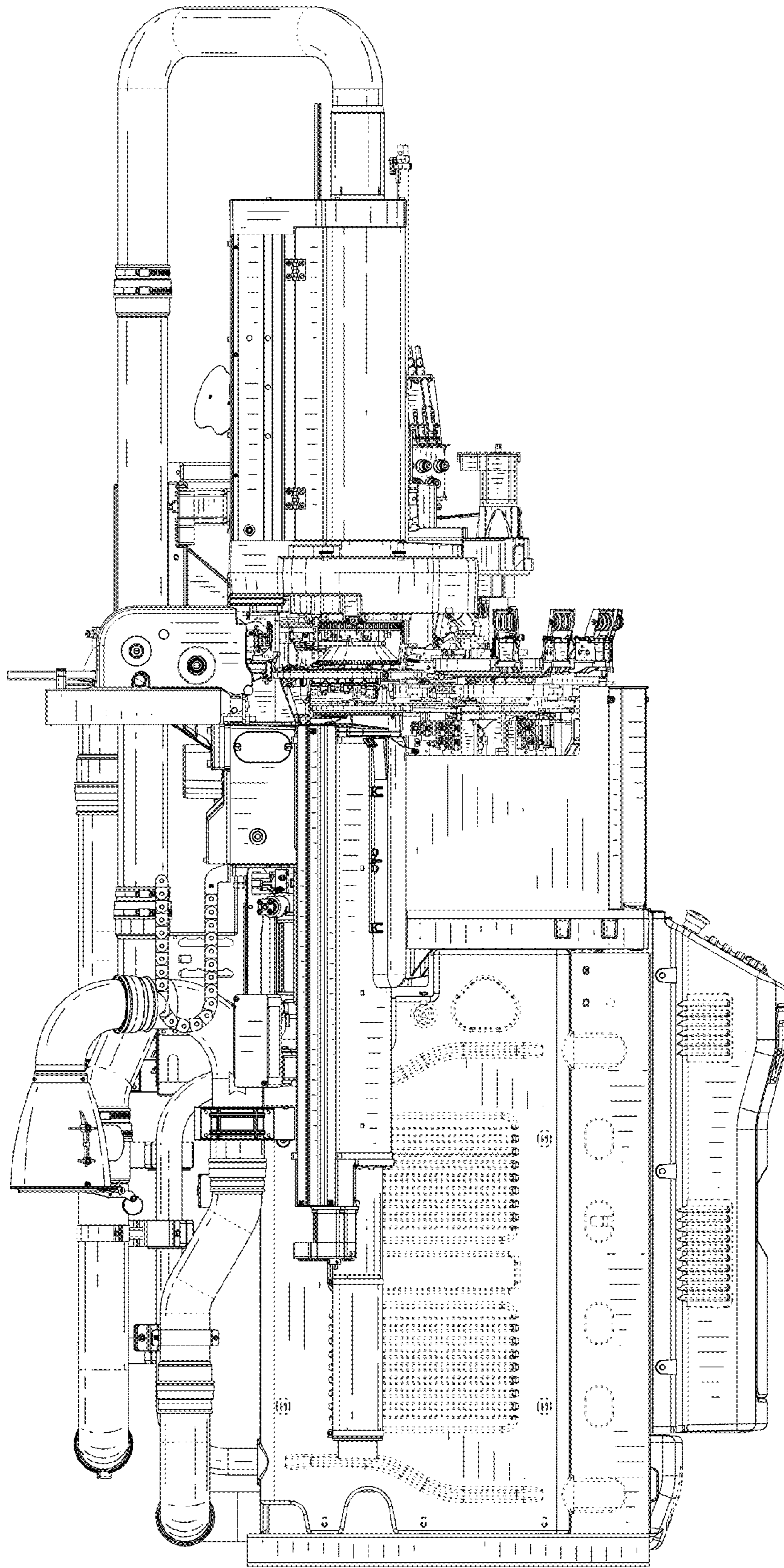


FIG.3

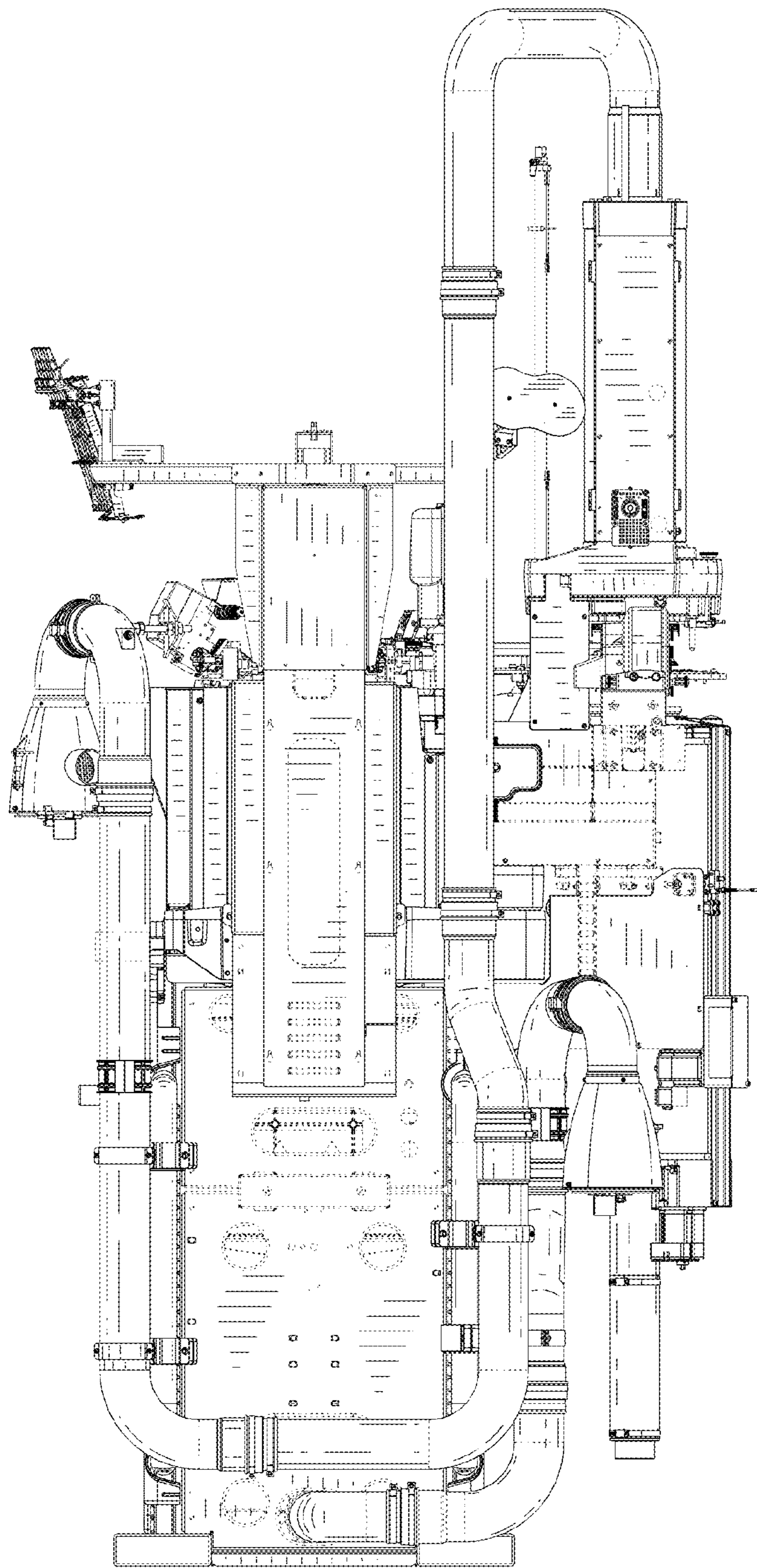


FIG.4

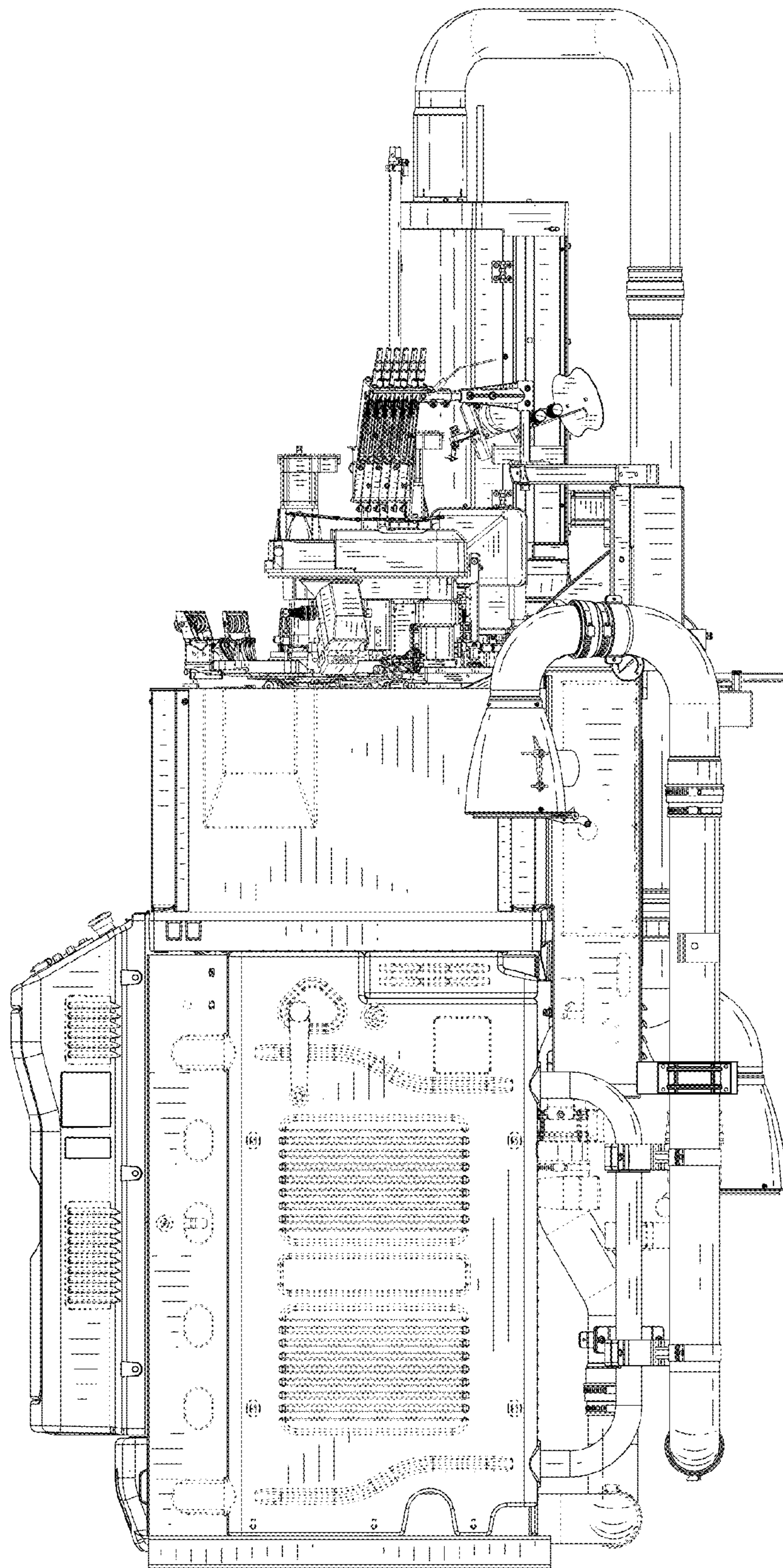


FIG.5

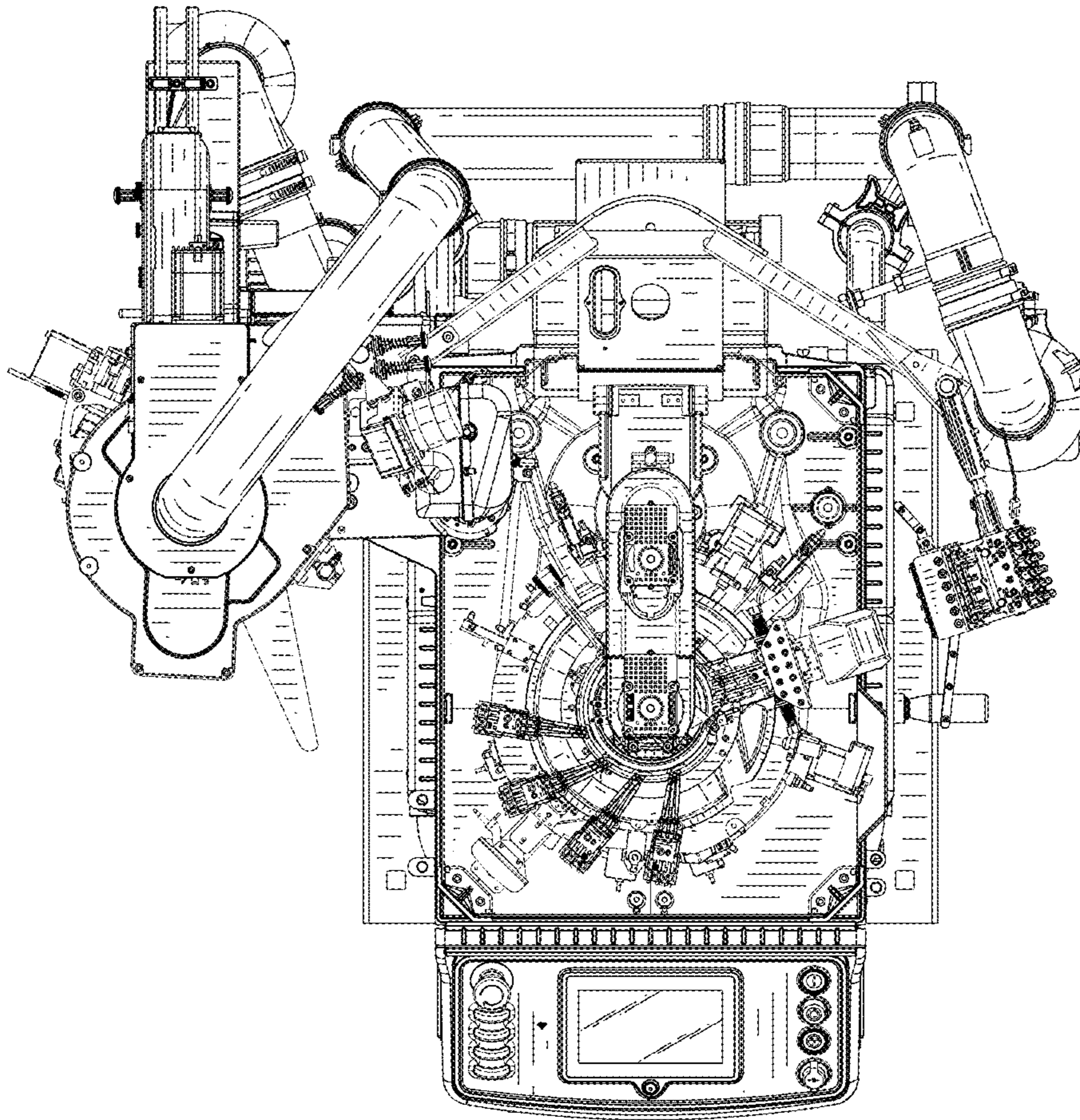


FIG.6

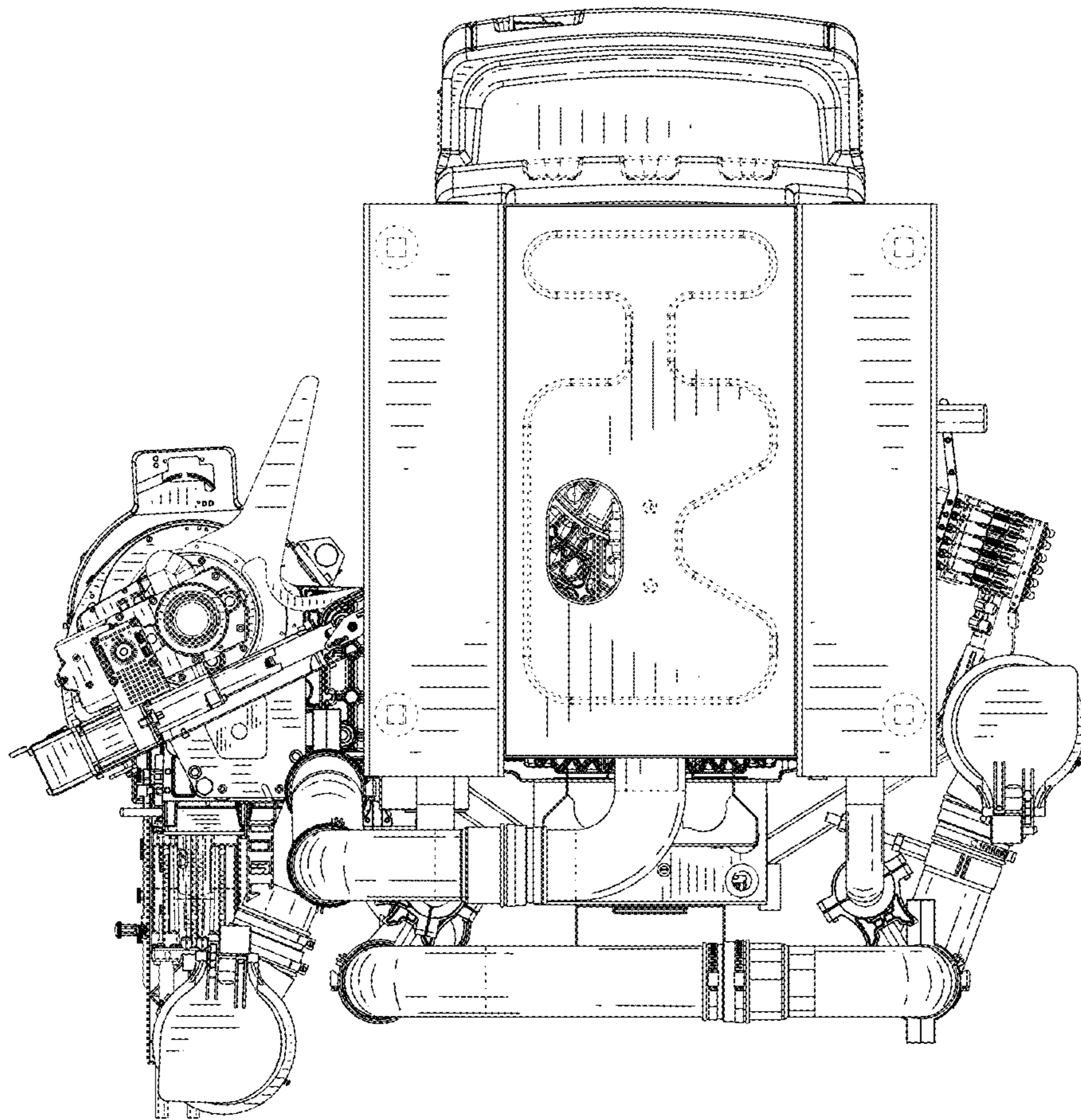


FIG.7