

US00D891483S

(12) **United States Design Patent** (10) **Patent No.:** **US D891,483 S**
Salowitz et al. (45) **Date of Patent:** **** Jul. 28, 2020**

(54) **PLANTER ROW UNIT MEMBER**
(71) Applicant: **Deere & Company**, Moline, IL (US)
(72) Inventors: **Jacob D. Salowitz**, Bettendorf, IA (US); **Tiago Mezzomo**, Horizontina (BR)
(73) Assignee: **DEERE & COMPANY**, Moline, IL (US)
(**) Term: **15 Years**

D198,841 S * 8/1964 Simmons et al. D15/33
D201,756 S * 7/1965 Abbott D15/33
D201,980 S * 8/1965 Kane D15/33
D237,528 S * 11/1975 Fisher et al. D15/33
4,141,302 A * 2/1979 Morrison, Jr. A01C 5/06
111/140
4,404,918 A * 9/1983 Whalen A01C 5/068
111/137
D281,166 S * 10/1985 Braathen D15/10
D284,668 S * 7/1986 Salley D15/28
D284,669 S * 7/1986 Clark et al.
D284,767 S * 7/1986 Clark D15/28
5,078,528 A * 1/1992 Schmidt B60G 7/02
403/365

(21) Appl. No.: **29/668,388**
(22) Filed: **Oct. 30, 2018**
(51) **LOC (12) Cl.** **15-03**
(52) **U.S. Cl.**
USPC **D15/28; D15/27; D15/10**
(58) **Field of Classification Search**
USPC D15/10, 12, 27, 28; 56/15.8, 15.9;
172/311, 210, 466, 484, 456, 481, 605,
172/626, 776, 507, 538, 518, 29;
280/411.1, 412, 413, 415 A, 415 R, 482,
280/656; 111/157, 170, 900, 149, 139,
111/140, 924
CPC A01B 73/065; A01B 73/005; A01B 73/00;
A01B 73/02; A01B 73/04; A01B 73/06;
A01B 49/06; A01B 49/00; A01B 61/044;
A01B 61/048; A01B 5/04; A01B 49/027;
A01C 7/208; A01C 7/18; A01C 7/00;
A01C 7/20; A01C 7/06; A01C 5/064;
A01C 5/068; A01C 7/203; A01C 7/205;
A01C 7/206; Y10S 111/921; Y10S
111/923; Y10S 111/924; Y10S 111/925
See application file for complete search history.

(56) **References Cited**
U.S. PATENT DOCUMENTS
D140,591 S * 3/1945 Hollmann et al. D15/33
2,805,486 A * 9/1957 Barrett G01B 5/0028
33/610

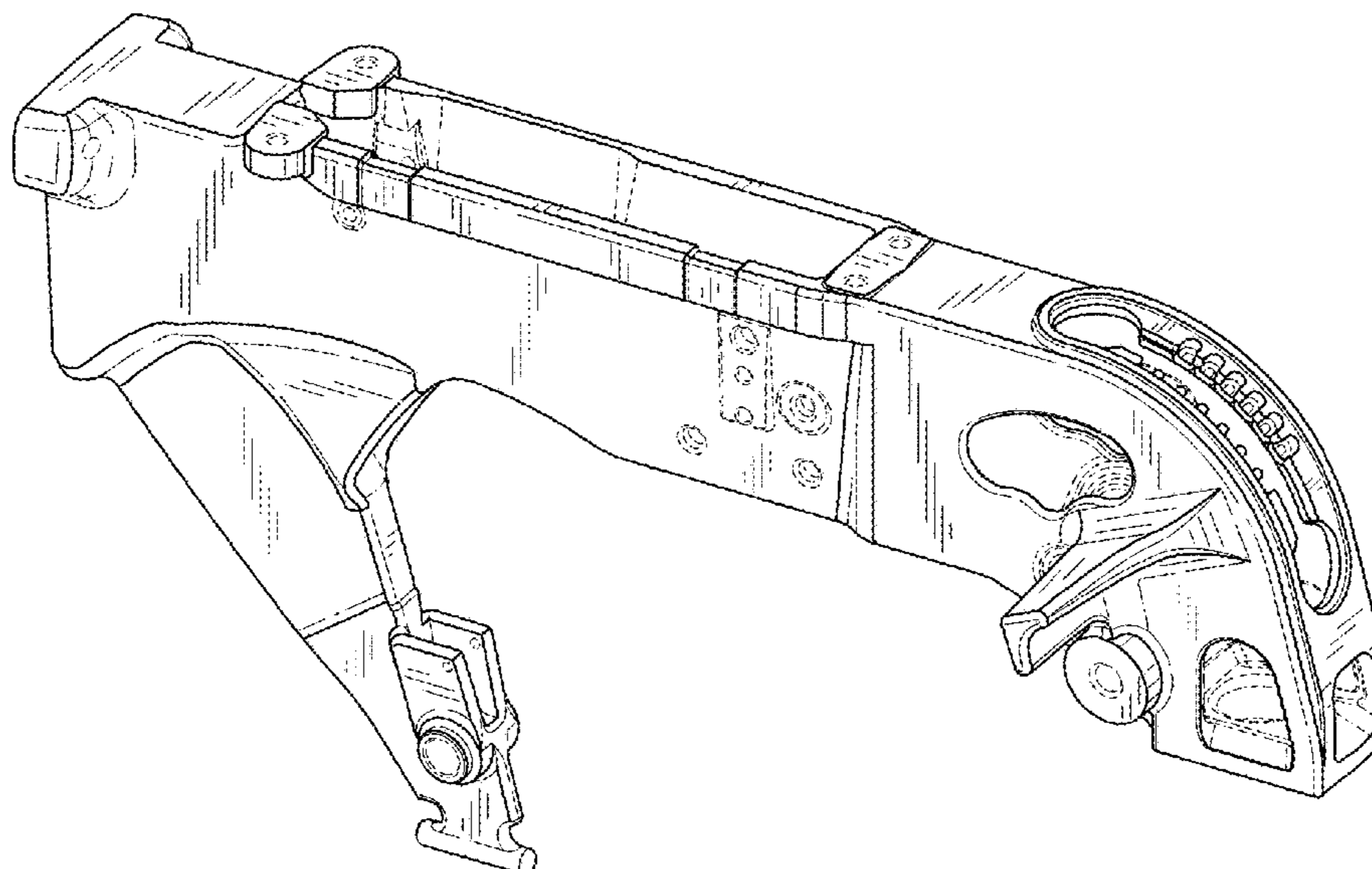
(Continued)

Primary Examiner — Mark A Goodwin
(74) *Attorney, Agent, or Firm* — Klintworth & Rozenblat
IP LLP

(57) **CLAIM**
The ornamental design for a planter row unit member, as shown and described.

DESCRIPTION
FIG. 1 is a perspective view showing a planter row unit member according to our new design in context of an example planter row unit;
FIG. 2 is a perspective view of the planter row unit member depicted in FIG. 1 shown in isolation;
FIG. 3 is a first side elevational view thereof;
FIG. 4 is a second side elevational view thereof;
FIG. 5 is a first end elevational view thereof;
FIG. 6 is a second end elevational view thereof;
FIG. 7 is a first plan view thereof; and,
FIG. 8 is a second plan view thereof.
The broken line representations in the figures depict unclaimed environment and form no part of the claimed design.

1 Claim, 7 Drawing Sheets



(56)

References Cited

U.S. PATENT DOCUMENTS

5,361,848 A * 11/1994 Fleischer A01B 63/26
 172/140
 5,884,711 A * 3/1999 Shoup A01B 71/08
 111/137
 5,904,107 A * 5/1999 Kester A01C 5/06
 111/135
 D440,985 S * 4/2001 Noonan D15/28
 6,321,667 B1 * 11/2001 Shoup A01C 5/06
 111/137
 D456,821 S * 5/2002 Ege D15/28
 D457,173 S * 5/2002 Harden D15/28
 D466,135 S * 11/2002 Spomer D15/33
 D552,630 S * 10/2007 Garrison D15/27
 D557,712 S * 12/2007 Ewringmann D15/28
 7,360,495 B1 * 4/2008 Martin A01C 7/203
 111/164
 D596,203 S * 7/2009 Schaffert D15/28
 D601,593 S * 10/2009 Martin D15/33
 D625,340 S * 10/2010 Kovach D15/11
 9,113,587 B2 * 8/2015 Hesla A01C 7/203
 9,204,591 B2 * 12/2015 Hesla A01C 5/064
 D766,992 S * 9/2016 Anderson D15/10
 D767,642 S * 9/2016 Anderson D15/10
 9,769,971 B2 * 9/2017 Hesla A01B 23/06
 9,872,423 B2 * 1/2018 Anderson A01C 5/068
 D812,110 S * 3/2018 Hesla D15/28
 2005/0072344 A1 * 4/2005 Kester A01B 71/04
 111/135
 2008/0011208 A1 * 1/2008 Martin A01C 5/066
 111/167

* cited by examiner

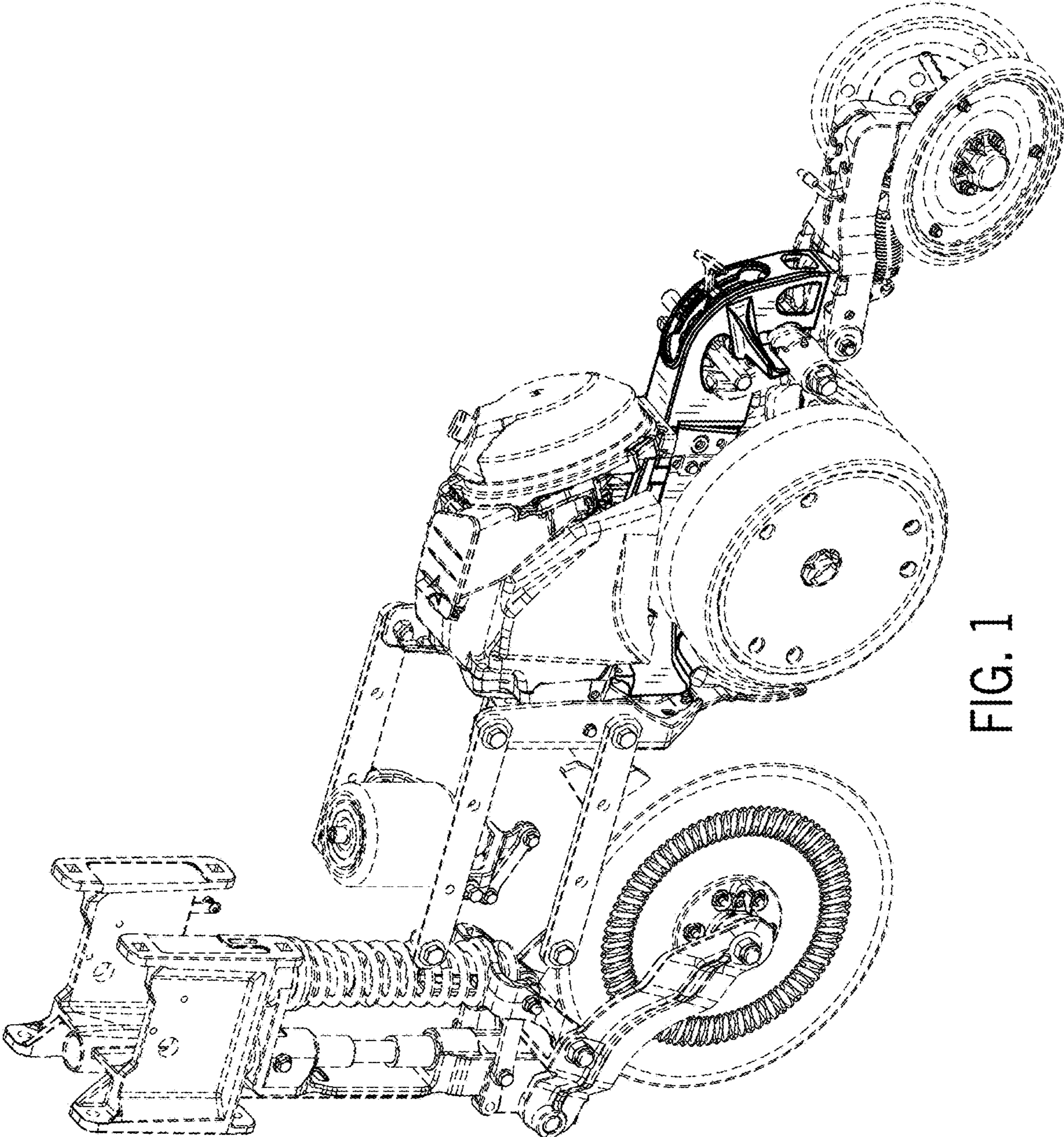


FIG. 1

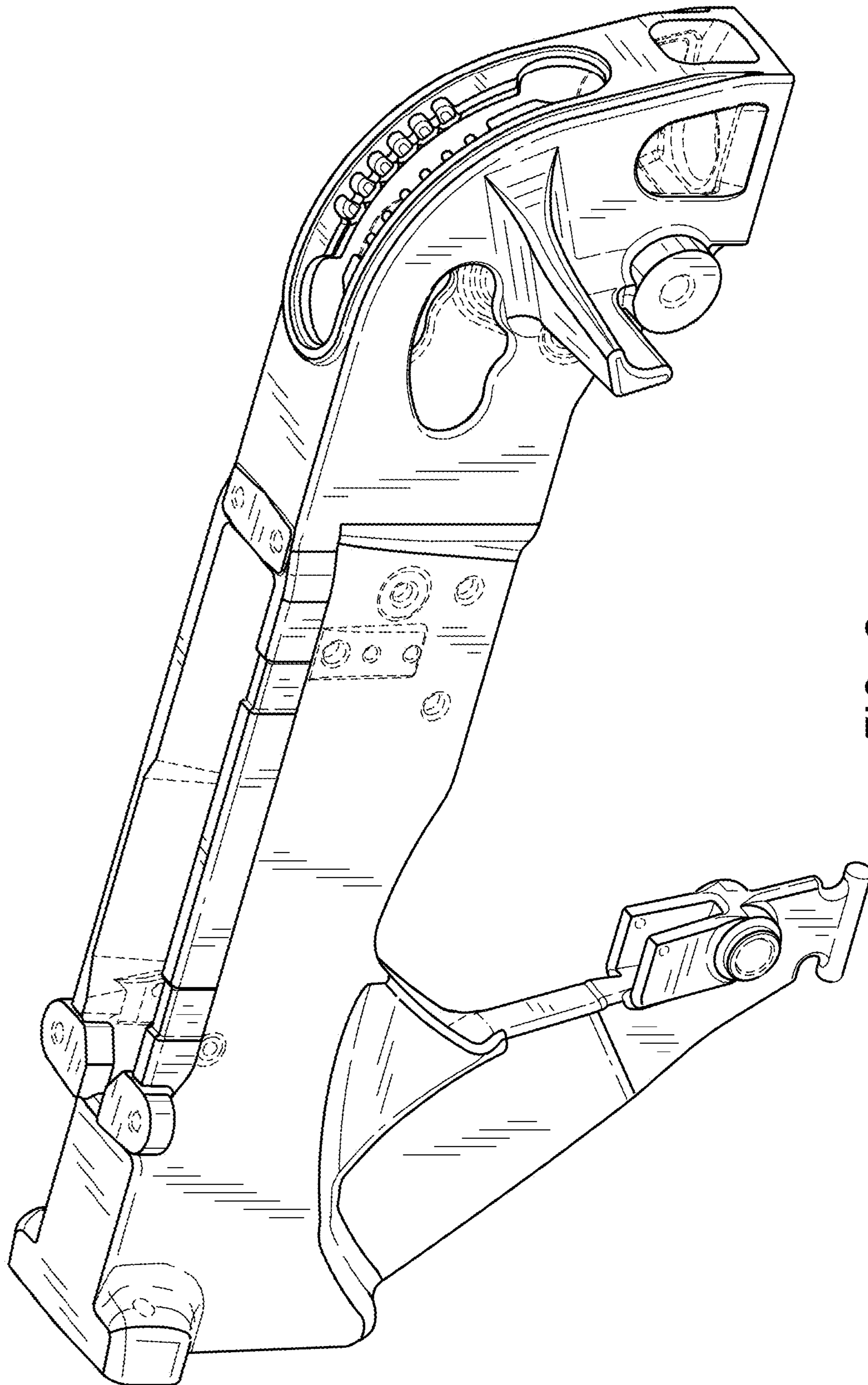


FIG. 2

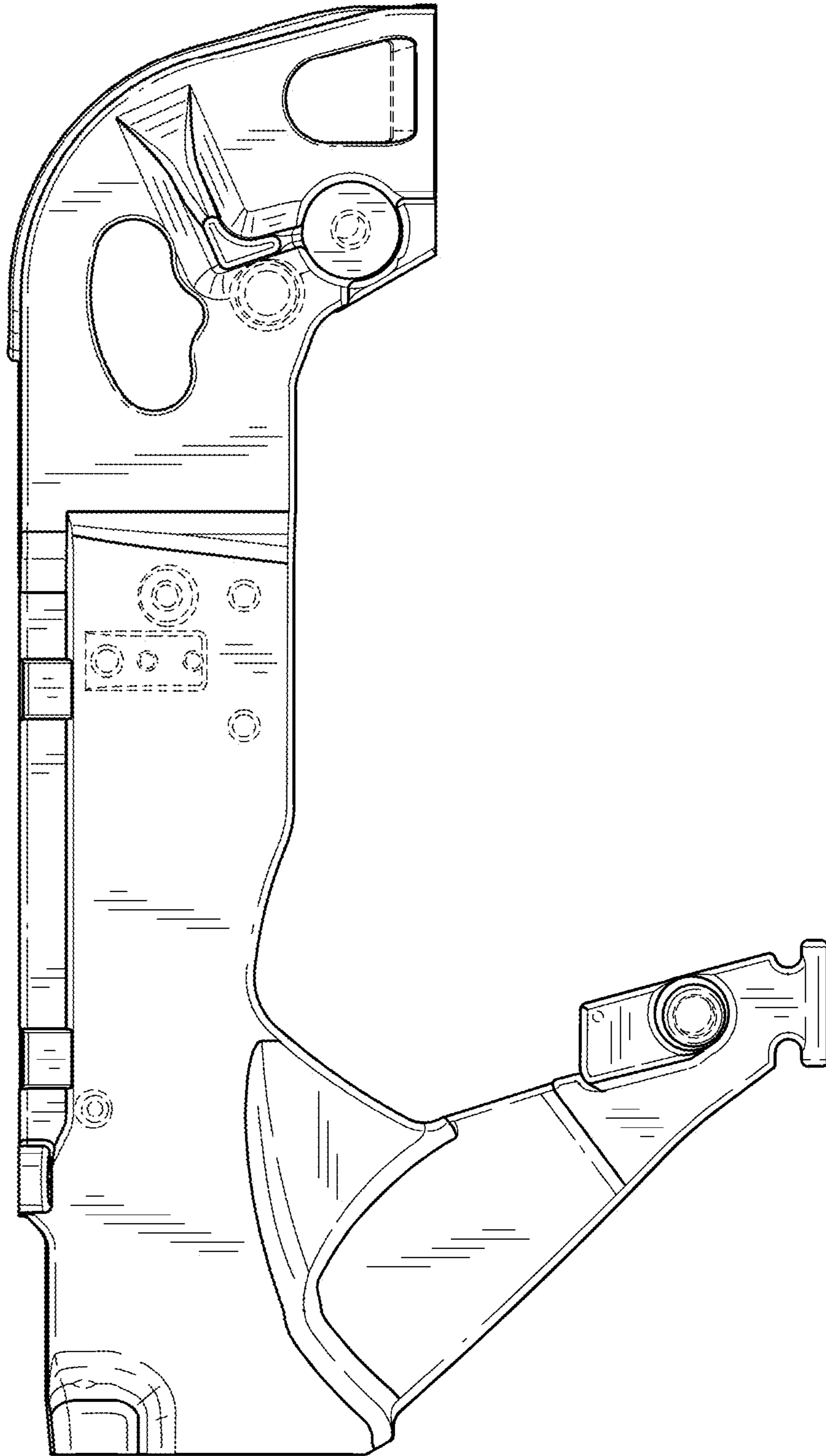


FIG. 3

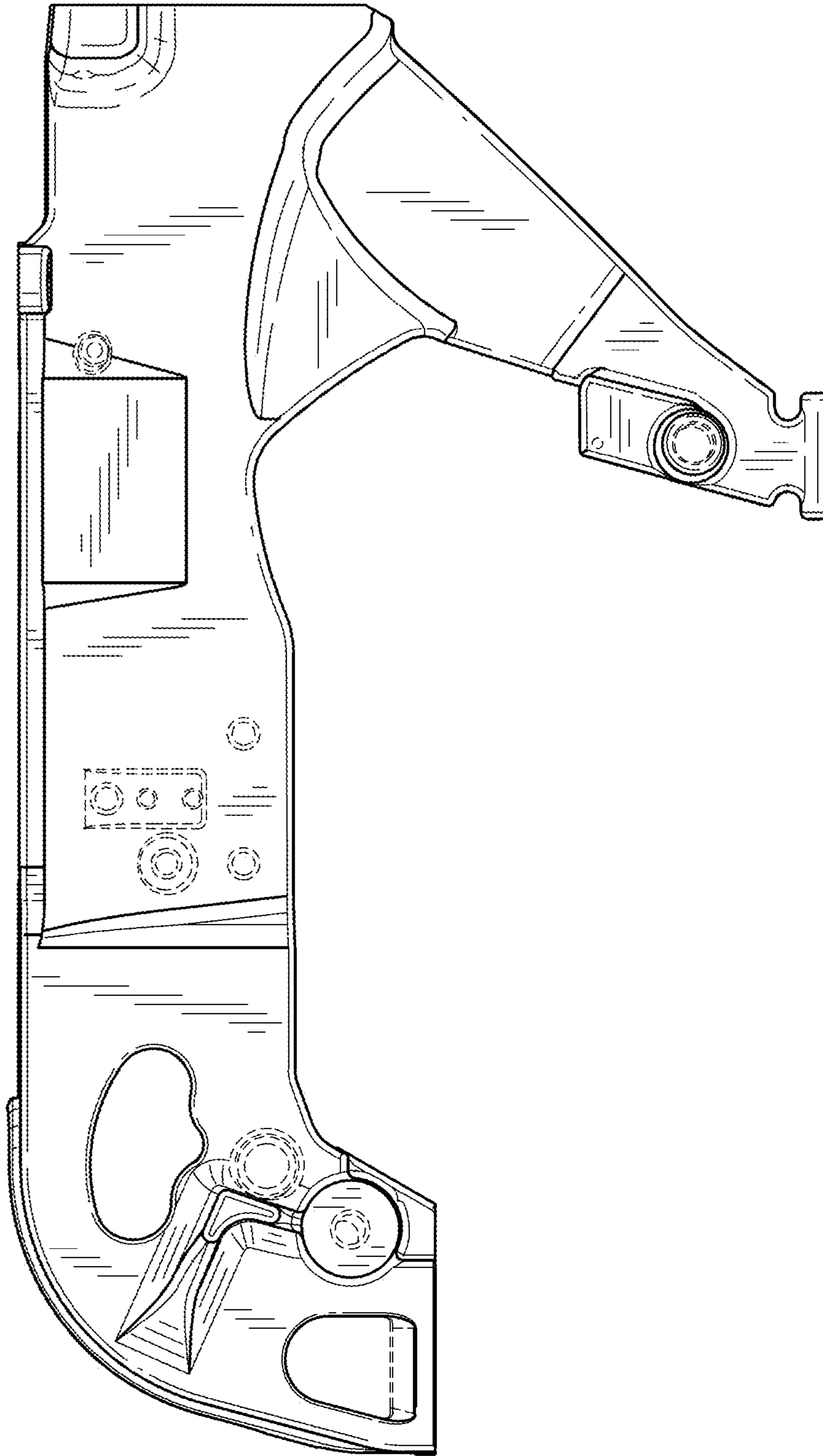


FIG. 4

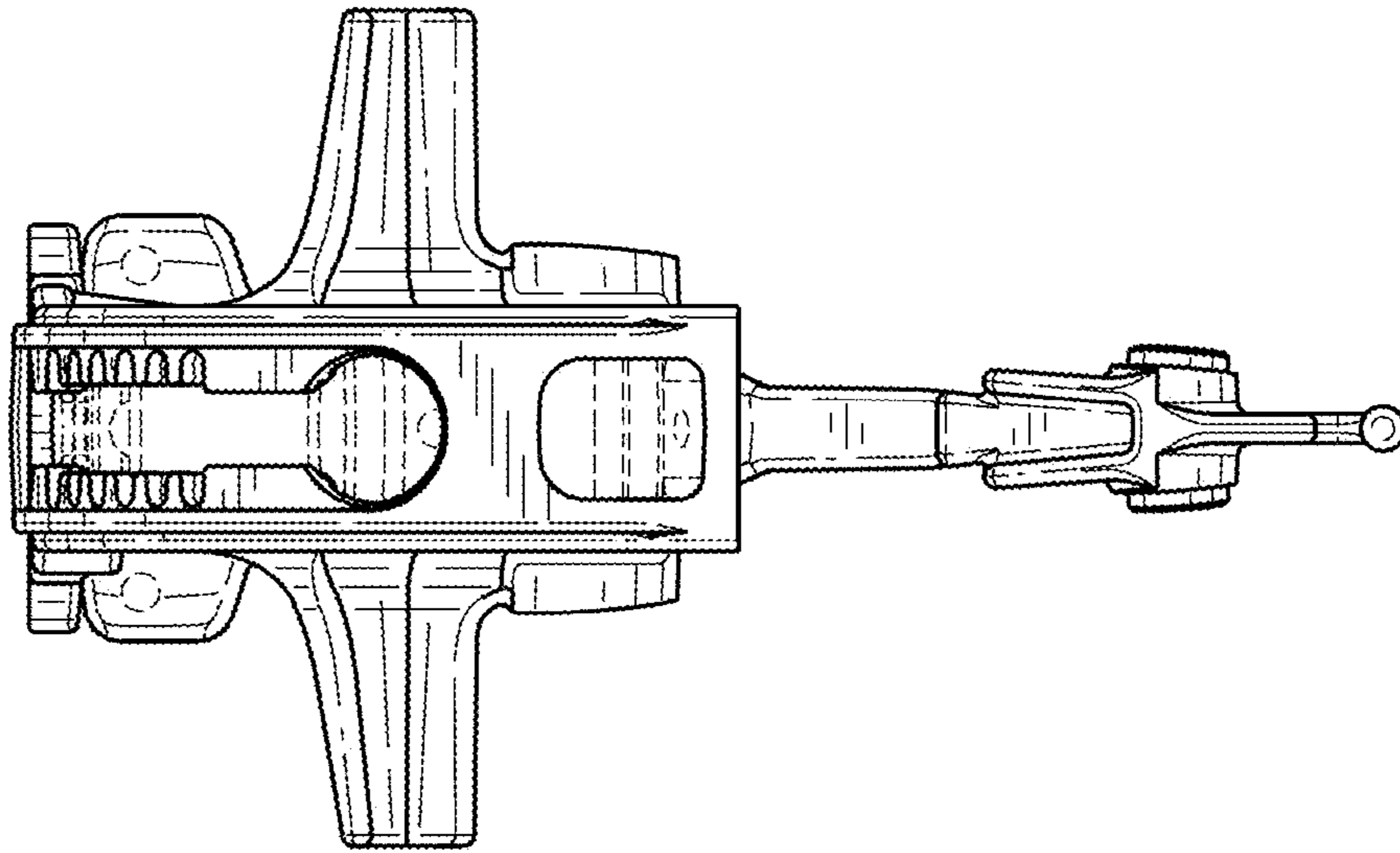


FIG. 6

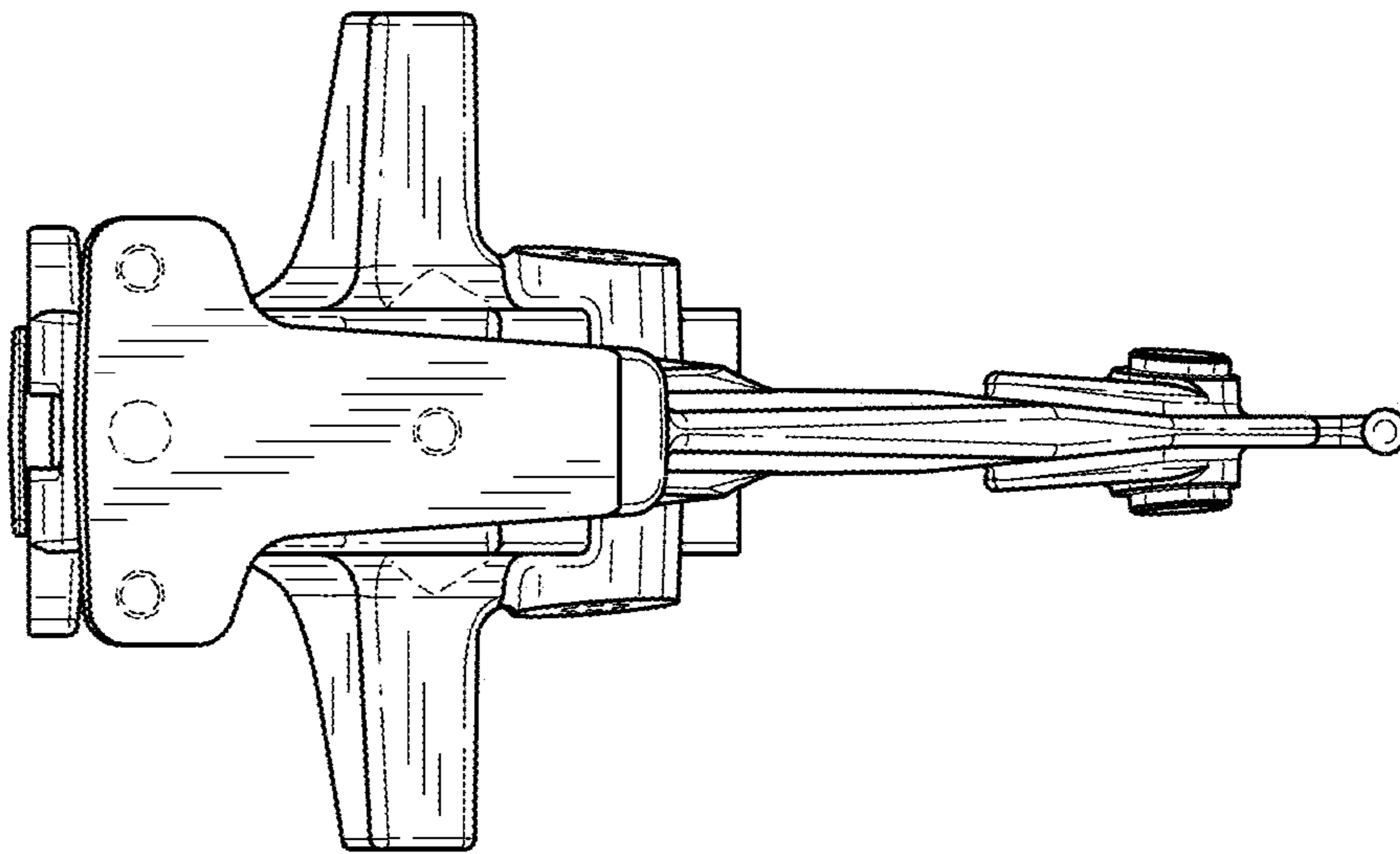


FIG. 5

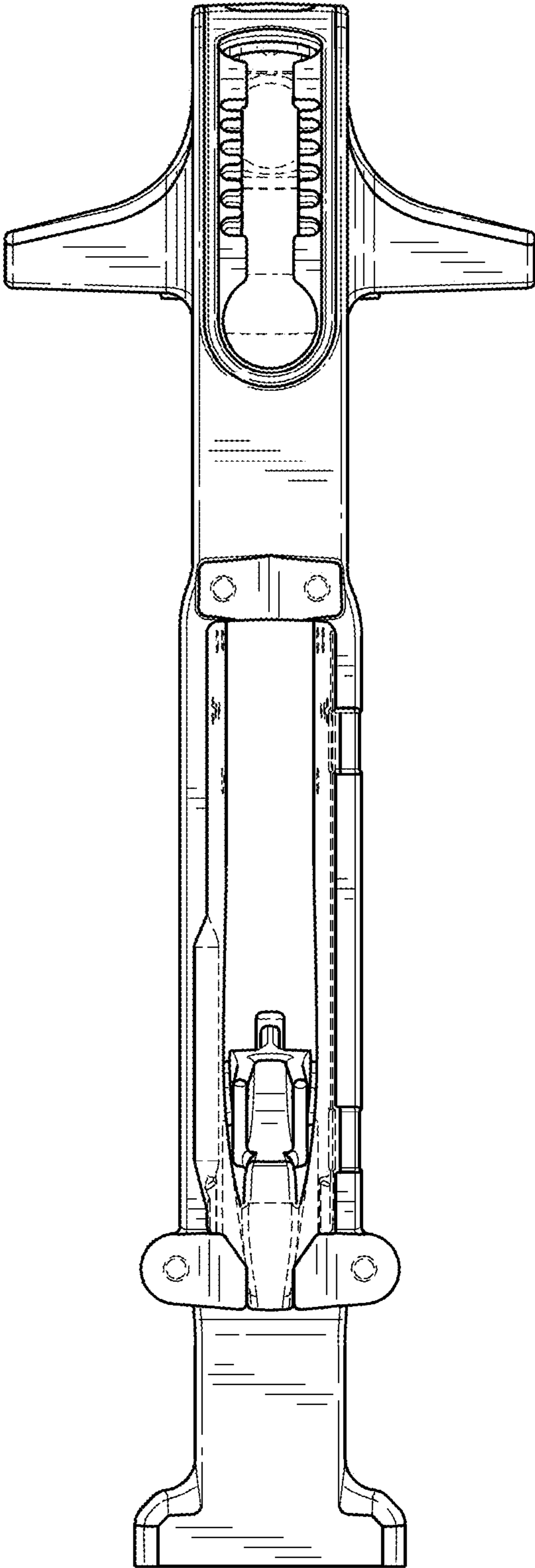


FIG. 7

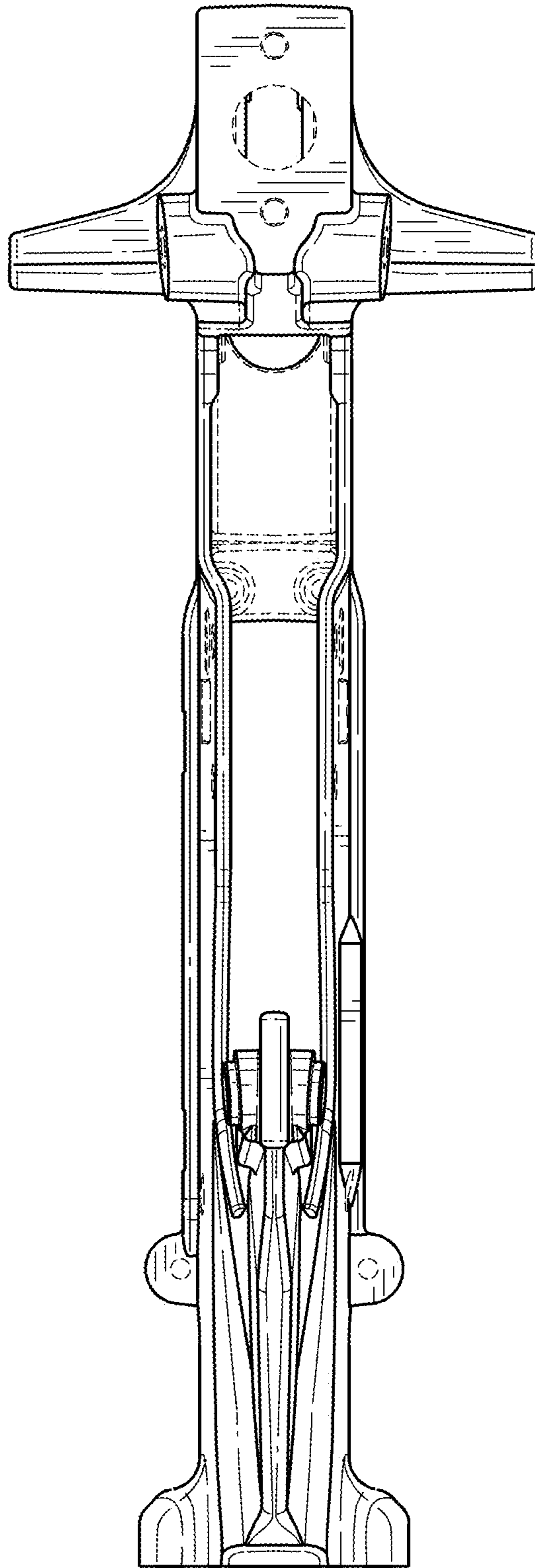


FIG. 8