



US00D891480S

(12) **United States Design Patent**  
**Vintzel**

(10) **Patent No.:** **US D891,480 S**  
(45) **Date of Patent:** **\*\* Jul. 28, 2020**

(54) **AIR COMPRESSOR**

(71) Applicant: **Harbor Freight Tools USA, Inc.**,  
Calabasas, CA (US)

(72) Inventor: **James Constantine Vintzel**, Jackson,  
TN (US)

(73) Assignee: **Harbor Freight Tools USA, INC.**,  
Calabasas, CA (US)

(\*\*) Term: **15 Years**

(21) Appl. No.: **29/685,458**

(22) Filed: **Mar. 28, 2019**

(51) **LOC (12) Cl.** ..... **D15-02**

(52) **U.S. Cl.**  
USPC ..... **D15/9; D15/7**

(58) **Field of Classification Search**  
USPC ..... D15/7-9; D24/111  
CPC ..... B29C 73/00; F04B 53/00; F04B 35/04;  
F04B 41/02; F04B 35/06; F04B 39/12;  
E03B 5/00  
See application file for complete search history.

(56) **References Cited**

**U.S. PATENT DOCUMENTS**

D444,796 S *	7/2001	Morgan	.....	D15/9
D444,797 S *	7/2001	Davis	.....	D15/9
D461,196 S *	8/2002	Buck	.....	D15/9
D471,918 S *	3/2003	Buck	.....	D15/9
D471,919 S *	3/2003	Buck	.....	D15/9
D482,371 S *	11/2003	Buck	.....	D15/9
D491,197 S *	6/2004	Stilwell	.....	D15/9
D493,179 S *	7/2004	Buck	.....	D15/9
D499,120 S *	11/2004	Buck	.....	D15/9
D499,747 S *	12/2004	Buck	.....	D15/9
D505,430 S *	5/2005	Buck	.....	D15/9

(Continued)

**OTHER PUBLICATIONS**

Amazon, Stealth Air Compressor Portable Hot Dog Compressor, [site visited Apr. 21, 2020], Sold on Amazon.com, URL:<https://www.amazon.com/Metabo-HPT-EC28M-Ultra-Quiet-Lightweight/dp/> (Sep. 16, 2019) (Year: 2019).\*

(Continued)

*Primary Examiner* — Sheryl Lane

*Assistant Examiner* — Mark T Philipps

(74) *Attorney, Agent, or Firm* — McAndrews Held & Malloy, Ltd.

(57) **CLAIM**

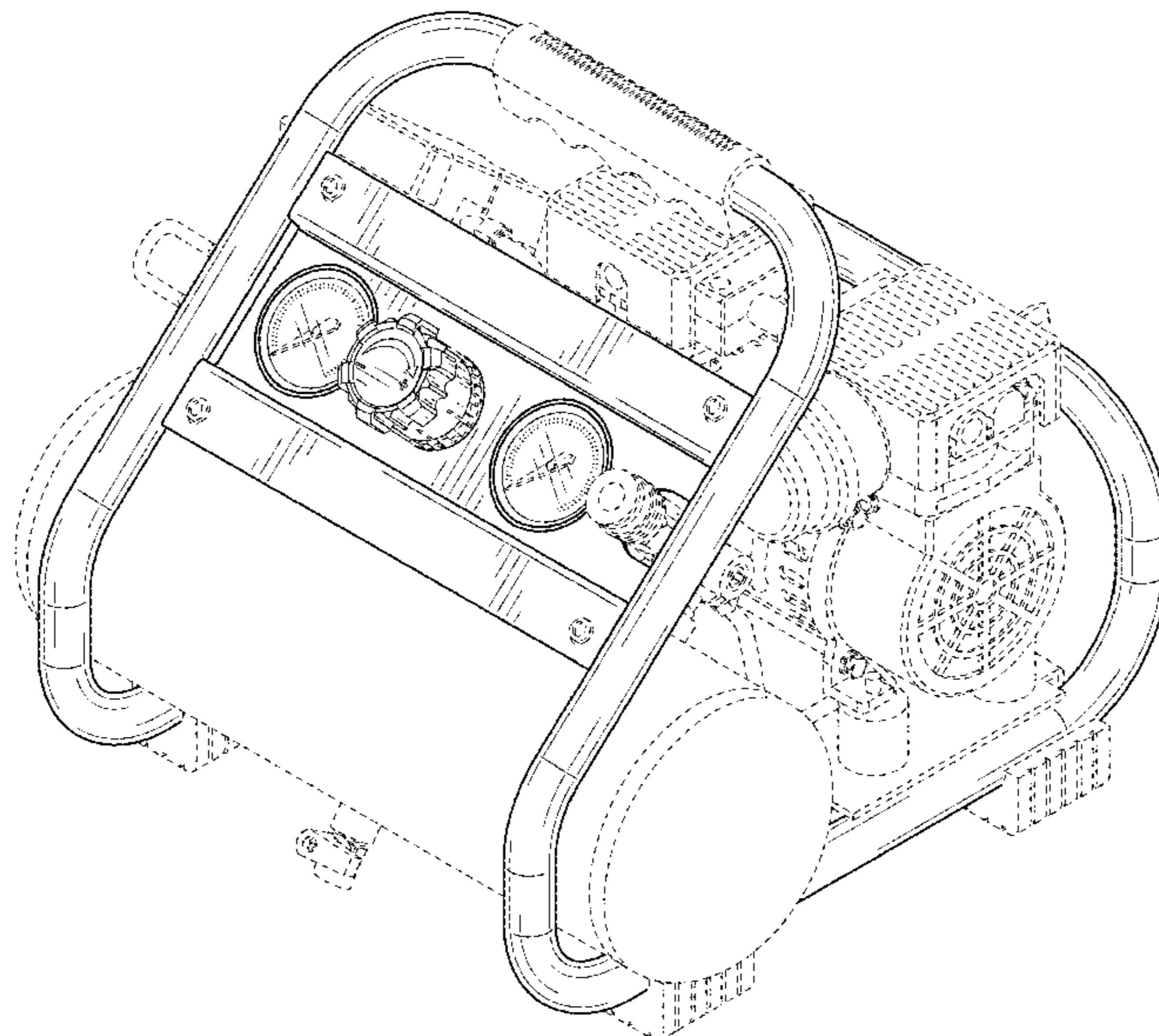
The ornamental design for an air compressor, as shown and described.

**DESCRIPTION**

FIG. 1 is a top-front perspective view of an air compressor showing my design according to a first embodiment; FIG. 2 is a front elevation view thereof; FIG. 3 is a rear elevation thereof; FIG. 4 is a right side elevation view thereof; FIG. 5 is a left side elevation view thereof; FIG. 6 is a top plan view thereof; FIG. 7 is a bottom plan view thereof; FIG. 8 is a bottom-rear perspective view thereof; FIG. 9 is a top-front perspective view of an air compressor showing my design according to a second embodiment; FIG. 10 is a front elevation view thereof; FIG. 11 is a rear elevation thereof; FIG. 12 is a right side elevation view thereof; FIG. 13 is a left side elevation view thereof; FIG. 14 is a top plan view thereof; FIG. 15 is a bottom plan view thereof; and, FIG. 16 is a bottom-rear perspective view thereof.

The dashed broken lines in the figures illustrate portions of the air compressor that form no part of the claimed design.

**1 Claim, 16 Drawing Sheets**



(56)

**References Cited**

U.S. PATENT DOCUMENTS

D512,075 S \* 11/2005 Buck ..... D15/9  
 D529,518 S \* 10/2006 Buck ..... D15/9  
 7,163,382 B1 \* 1/2007 Stilwell ..... F04B 35/06  
 417/234  
 D541,306 S \* 4/2007 Welsh ..... D15/9  
 D553,647 S \* 10/2007 Steinfels ..... D15/9  
 D555,173 S \* 11/2007 Smith ..... D15/9  
 D559,272 S \* 1/2008 Buck ..... D15/9  
 D575,309 S \* 8/2008 Steinfels ..... D15/9  
 D603,871 S \* 11/2009 Steinfels ..... D15/7  
 D604,746 S \* 11/2009 Nishido ..... D15/7  
 7,909,584 B2 \* 3/2011 Etter ..... F04B 41/02  
 417/234  
 D662,517 S \* 6/2012 Hawkins ..... D15/9  
 D680,555 S \* 4/2013 Craig ..... D15/7  
 D691,639 S \* 10/2013 Hirai ..... D15/7  
 8,770,341 B2 \* 7/2014 Wood ..... F04B 23/10  
 181/229

D710,902 S \* 8/2014 Vintzel ..... D15/9  
 D710,903 S \* 8/2014 Vintzel ..... D15/9  
 D806,134 S \* 12/2017 Wood ..... D15/9  
 D806,135 S \* 12/2017 Wood ..... D15/9  
 D806,753 S \* 1/2018 Wood ..... D15/7  
 D806,755 S \* 1/2018 Wood ..... D15/9  
 D806,756 S \* 1/2018 Wood ..... D15/9  
 D832,892 S \* 11/2018 Wood ..... D15/9  
 D854,585 S \* 7/2019 Bindhammer ..... D15/9  
 D880,531 S \* 4/2020 Gao ..... D15/9

OTHER PUBLICATIONS

Amazon, Metabo HPT Air Compressor, [site visited Apr. 21, 2020],  
 Sold on Amazon.com, URL:<<https://www.amazon.com/California-Air-Tools-CAT-1P1060S-Compressor/dp/B01LYHYHEA>> (Jan. 13,  
 2019) (Year: 2019).\*

\* cited by examiner

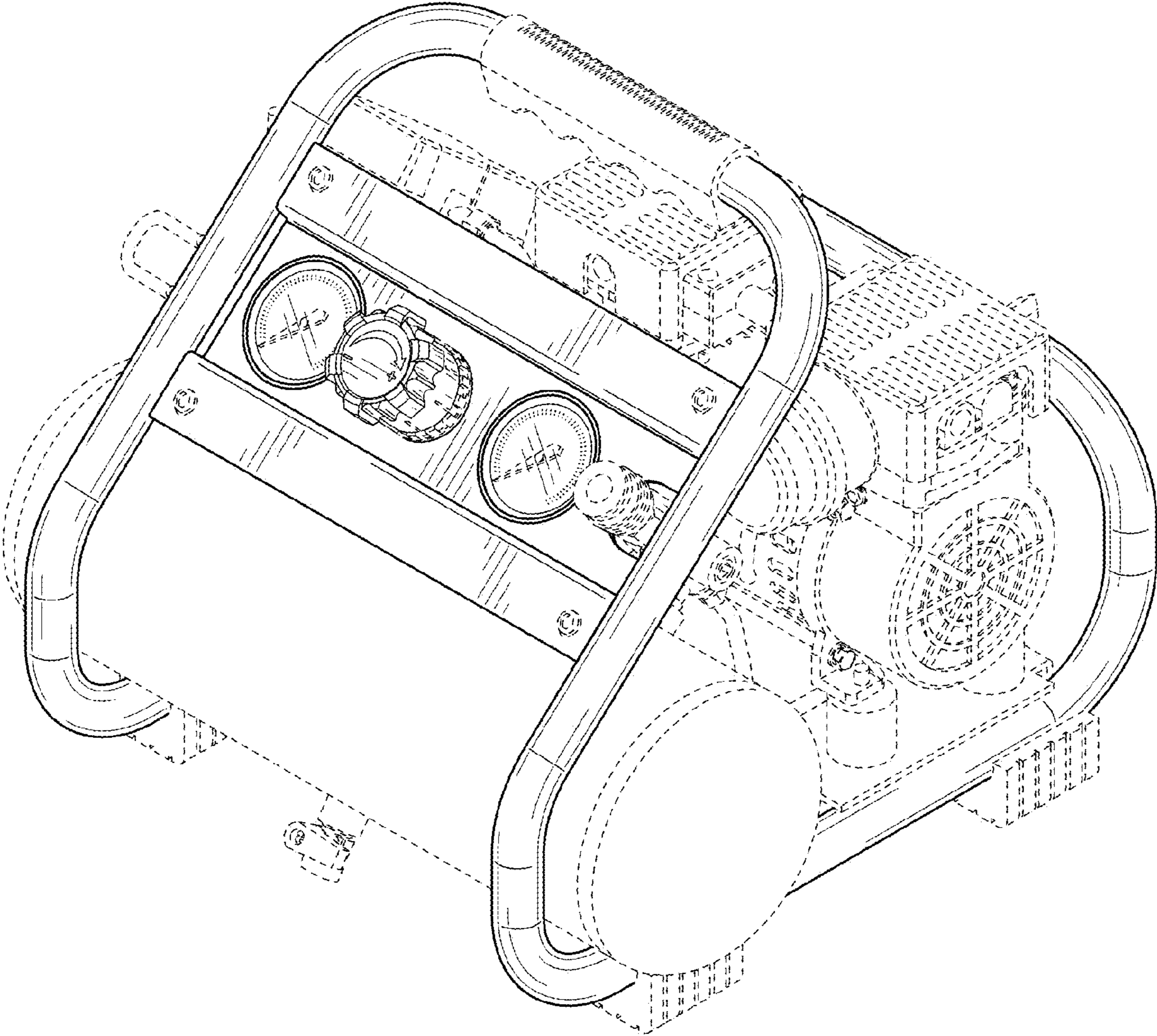


FIG. 1

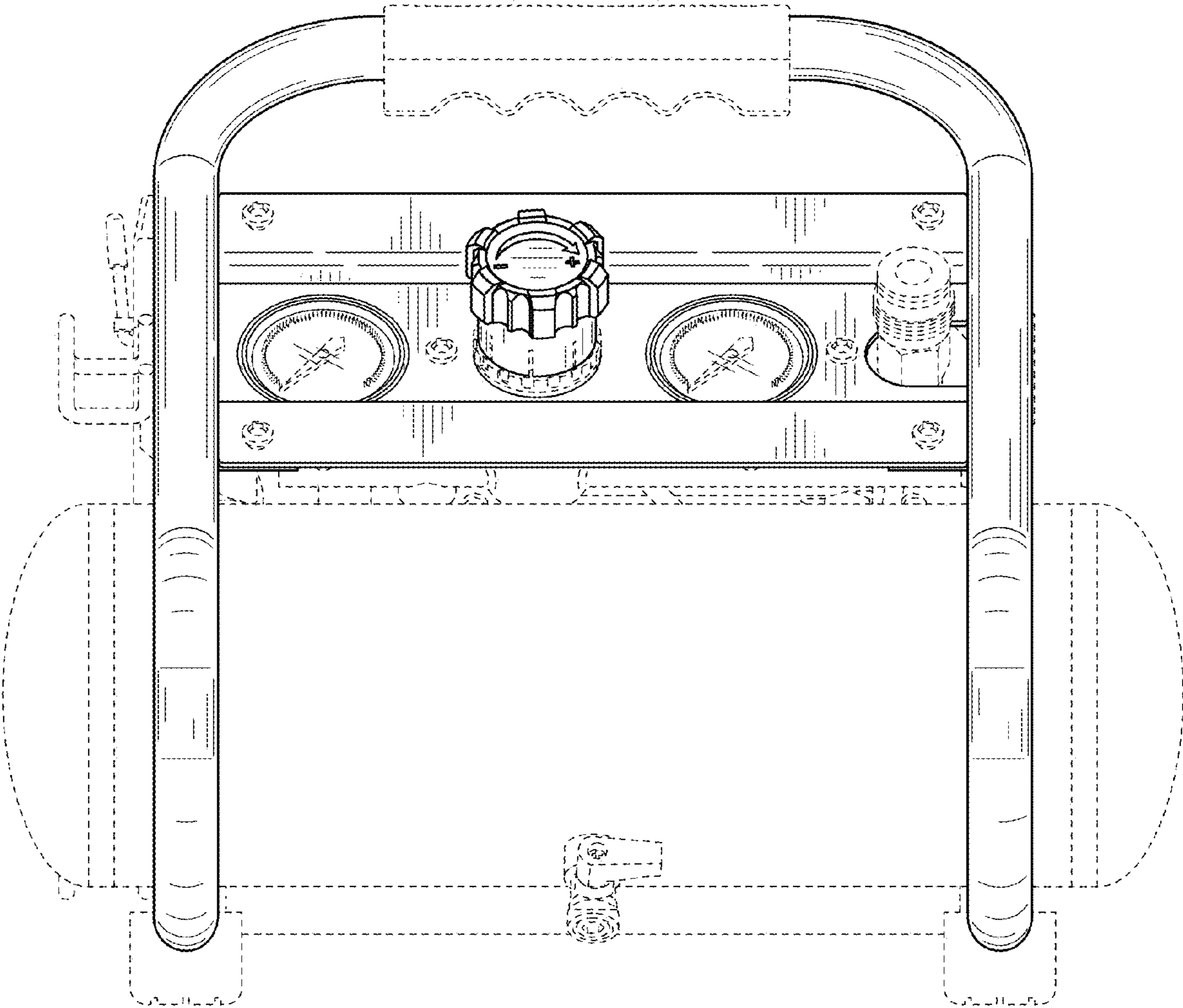


FIG. 2

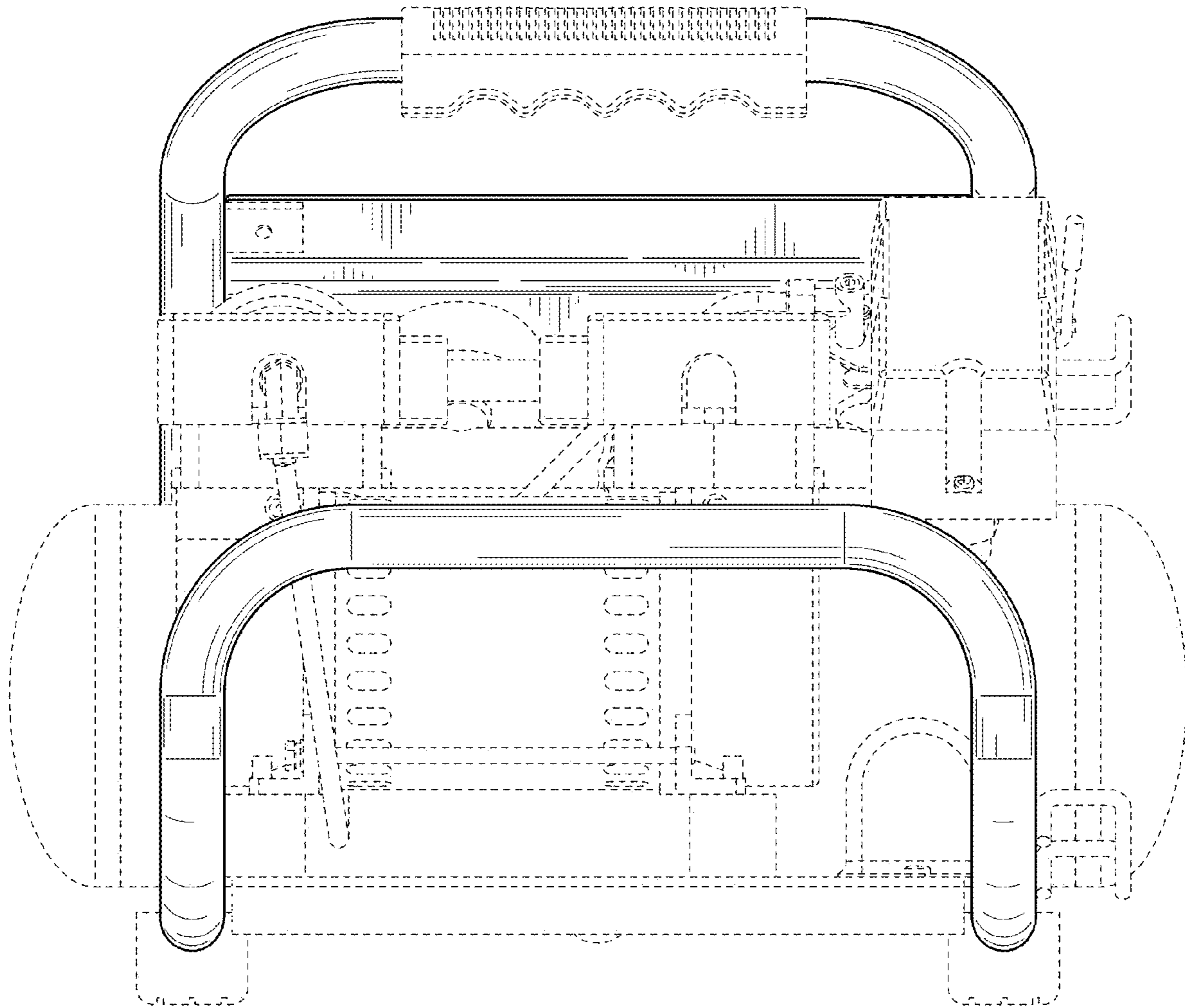


FIG. 3

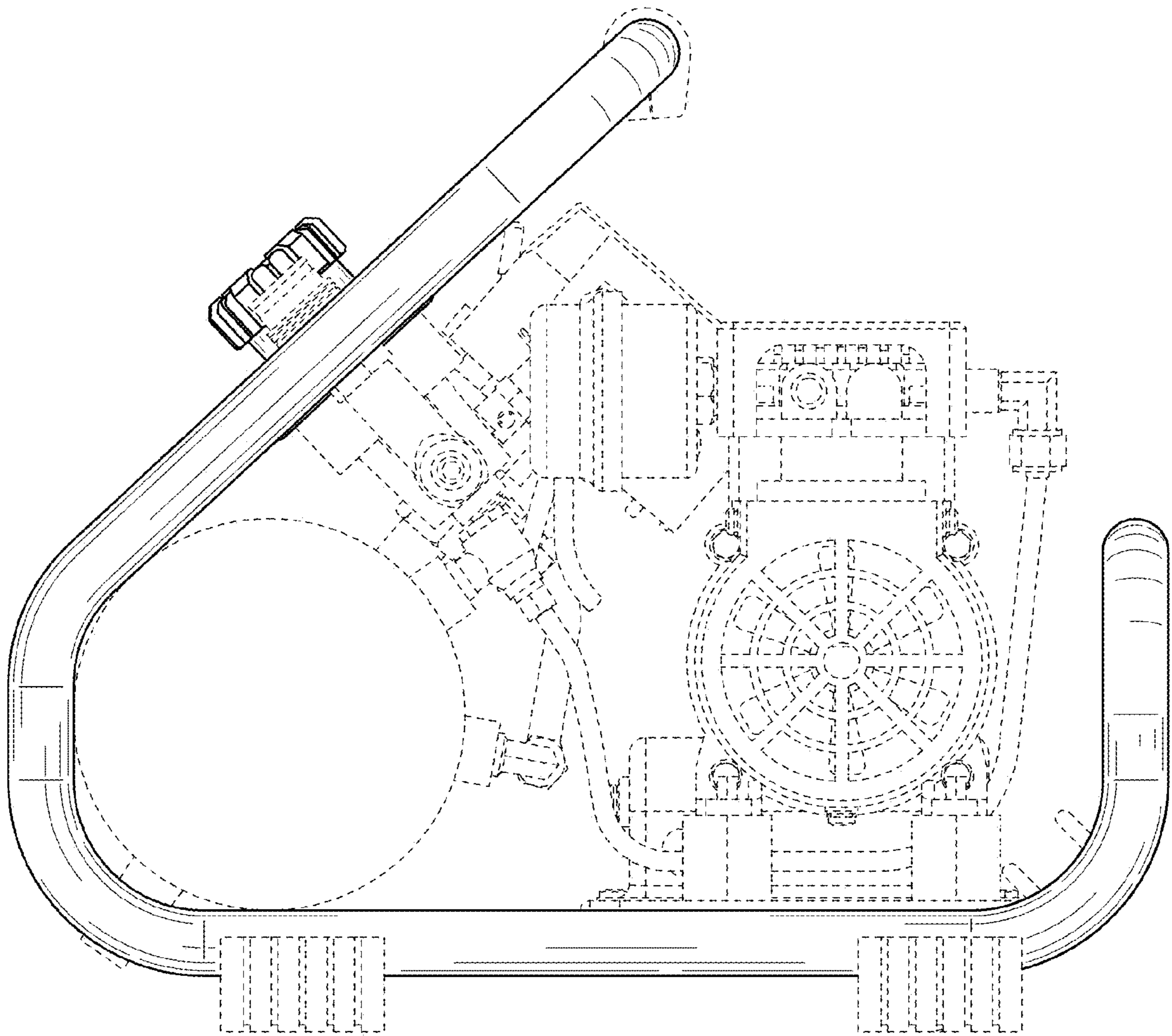


FIG. 4

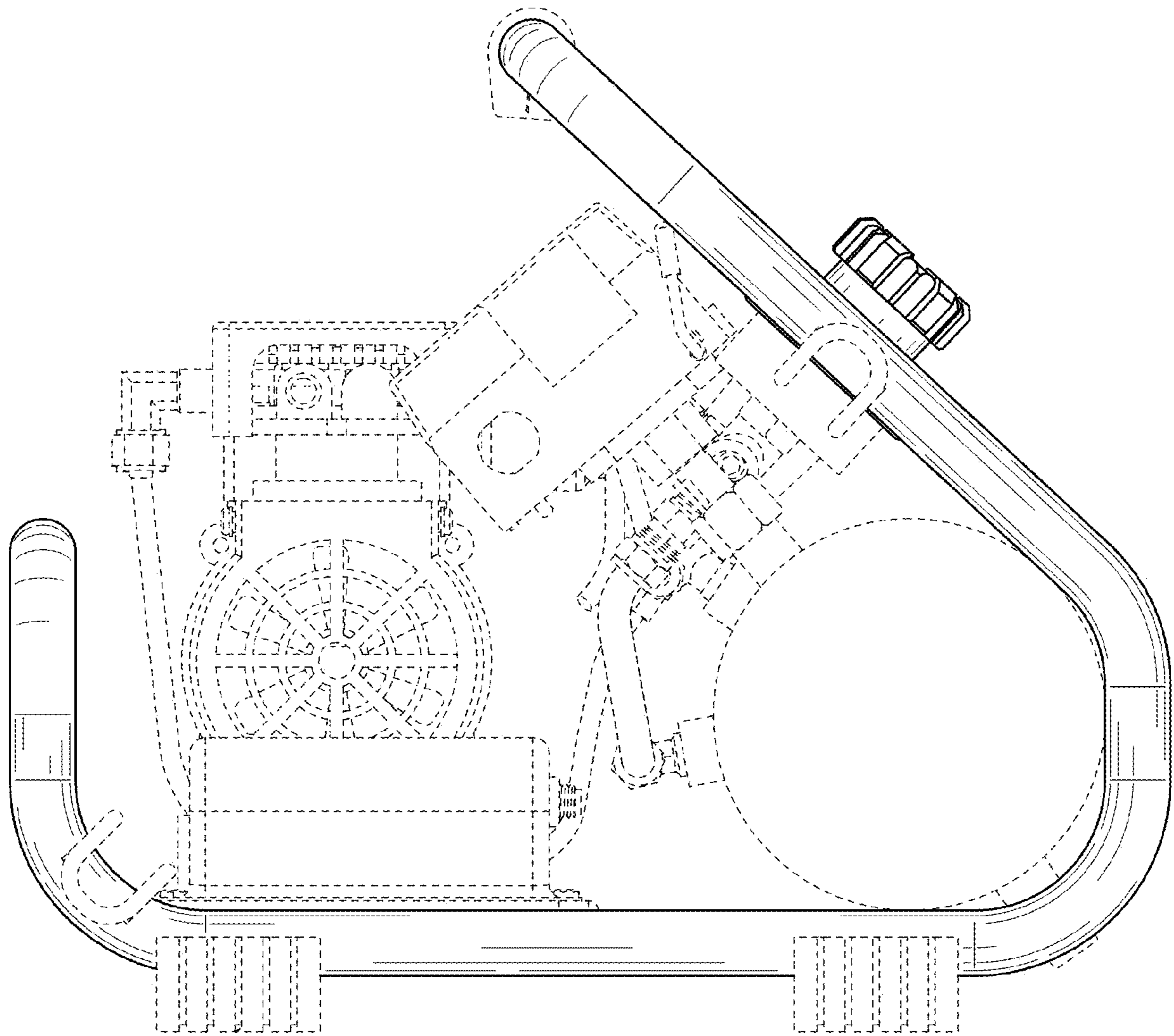


FIG. 5

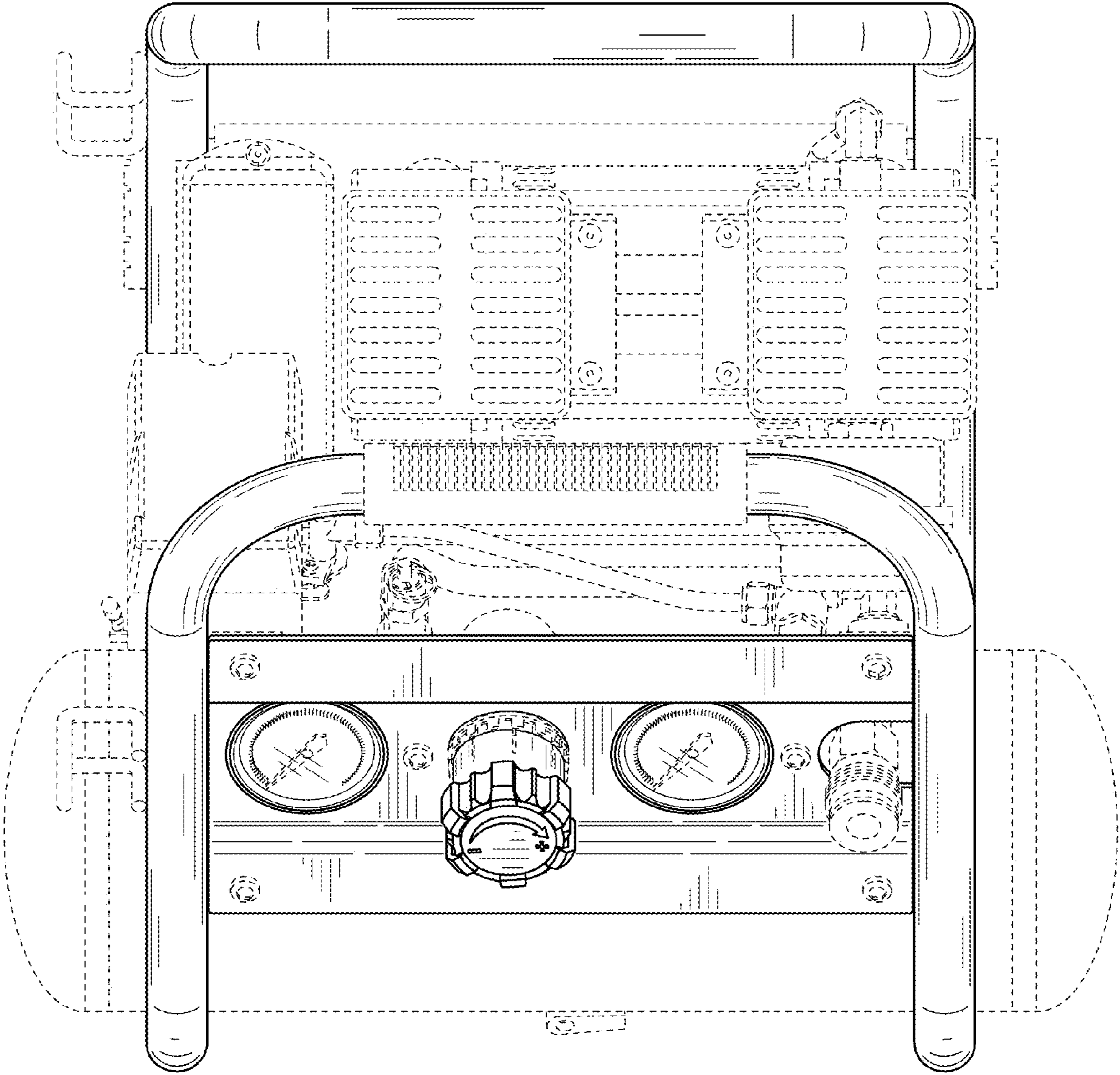


FIG. 6



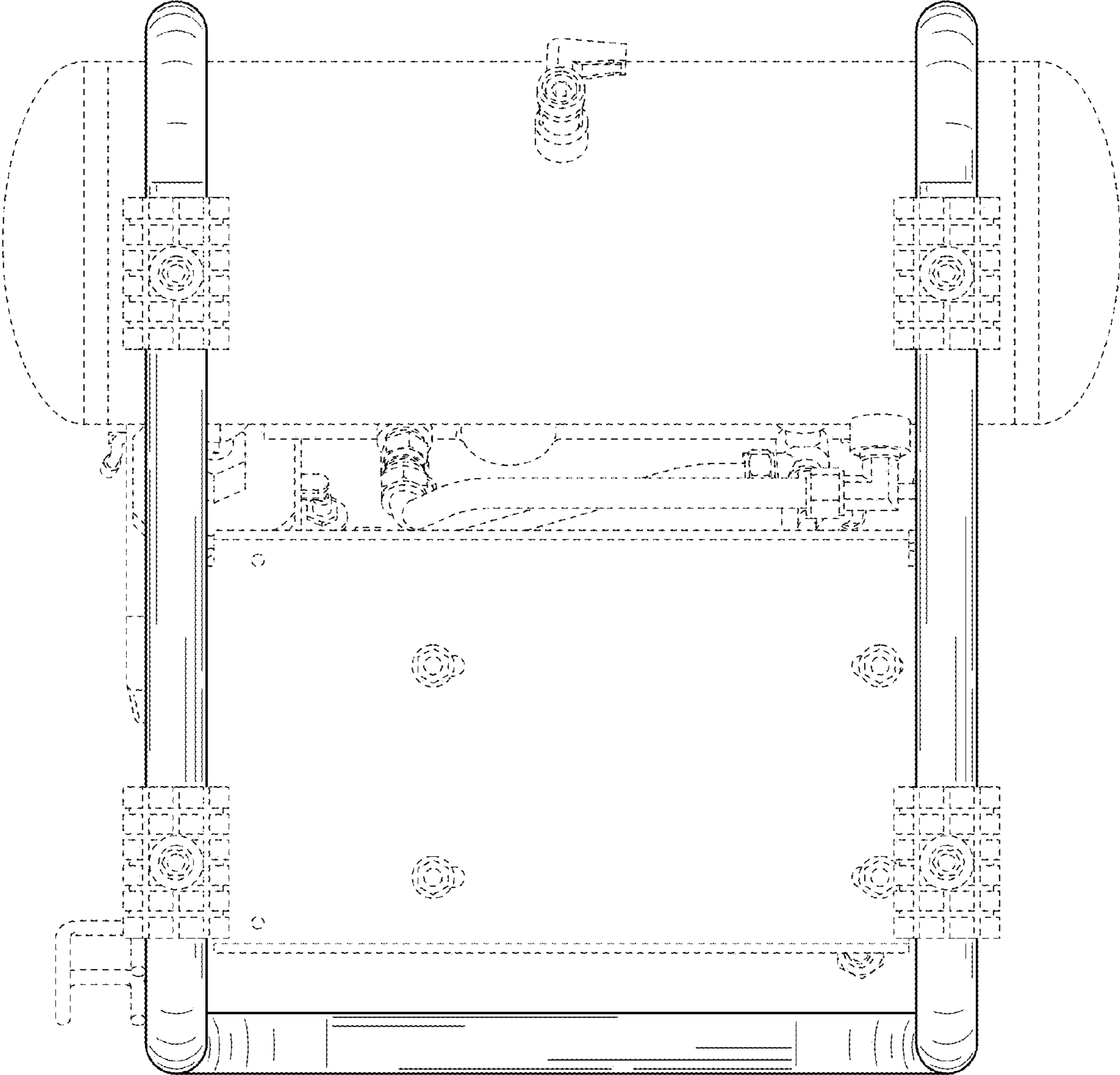


FIG. 7

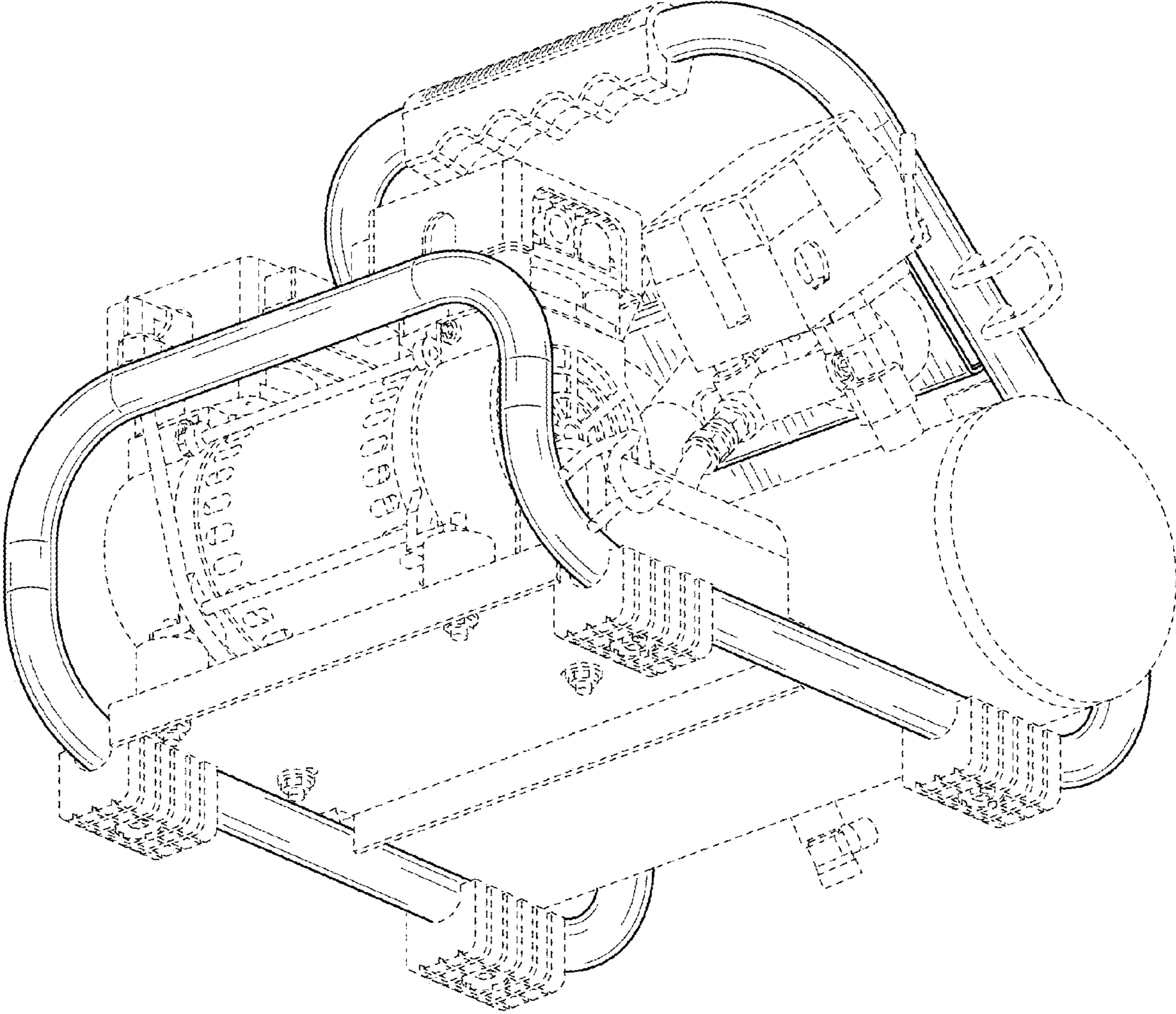


FIG. 8

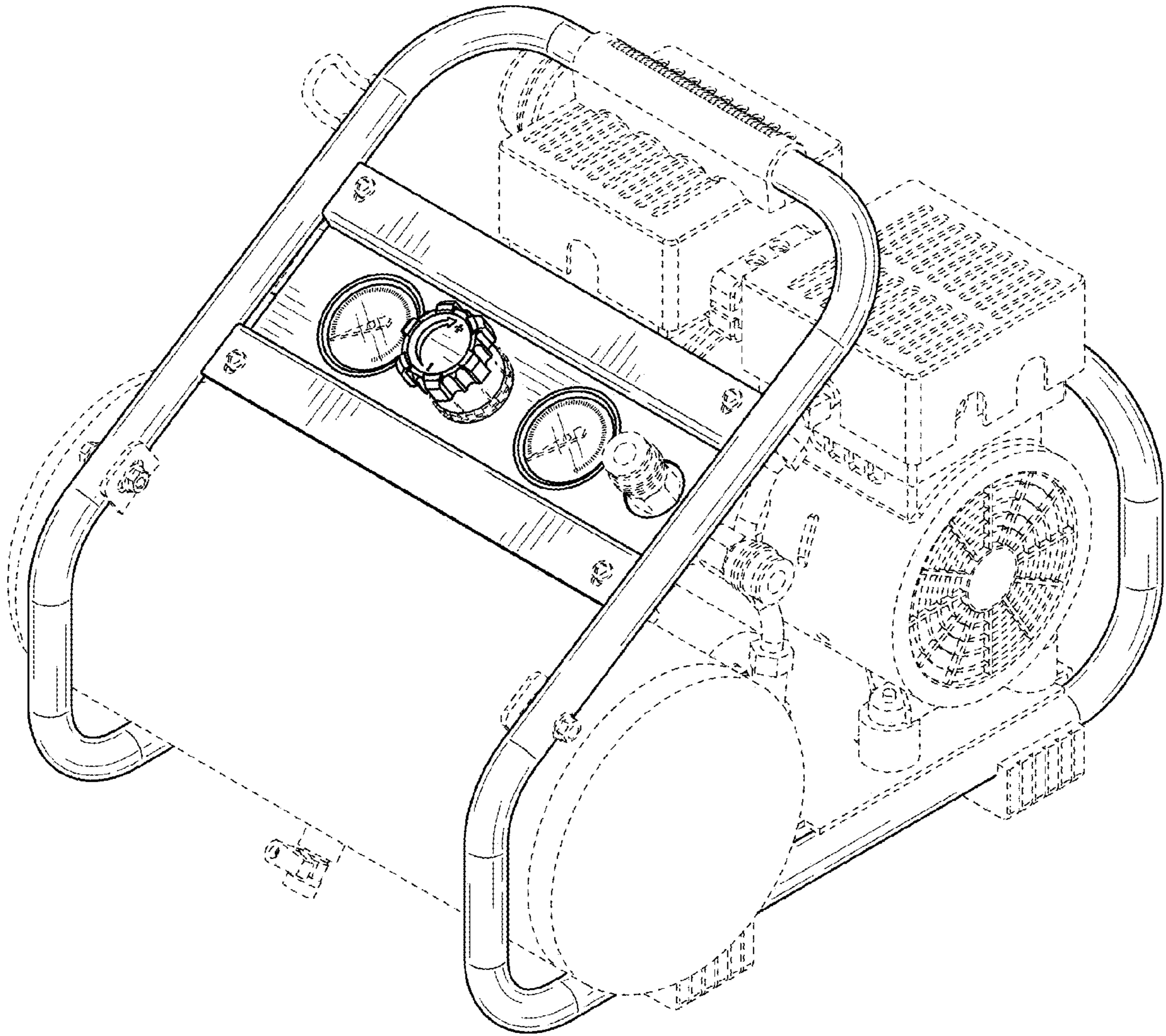


FIG. 9

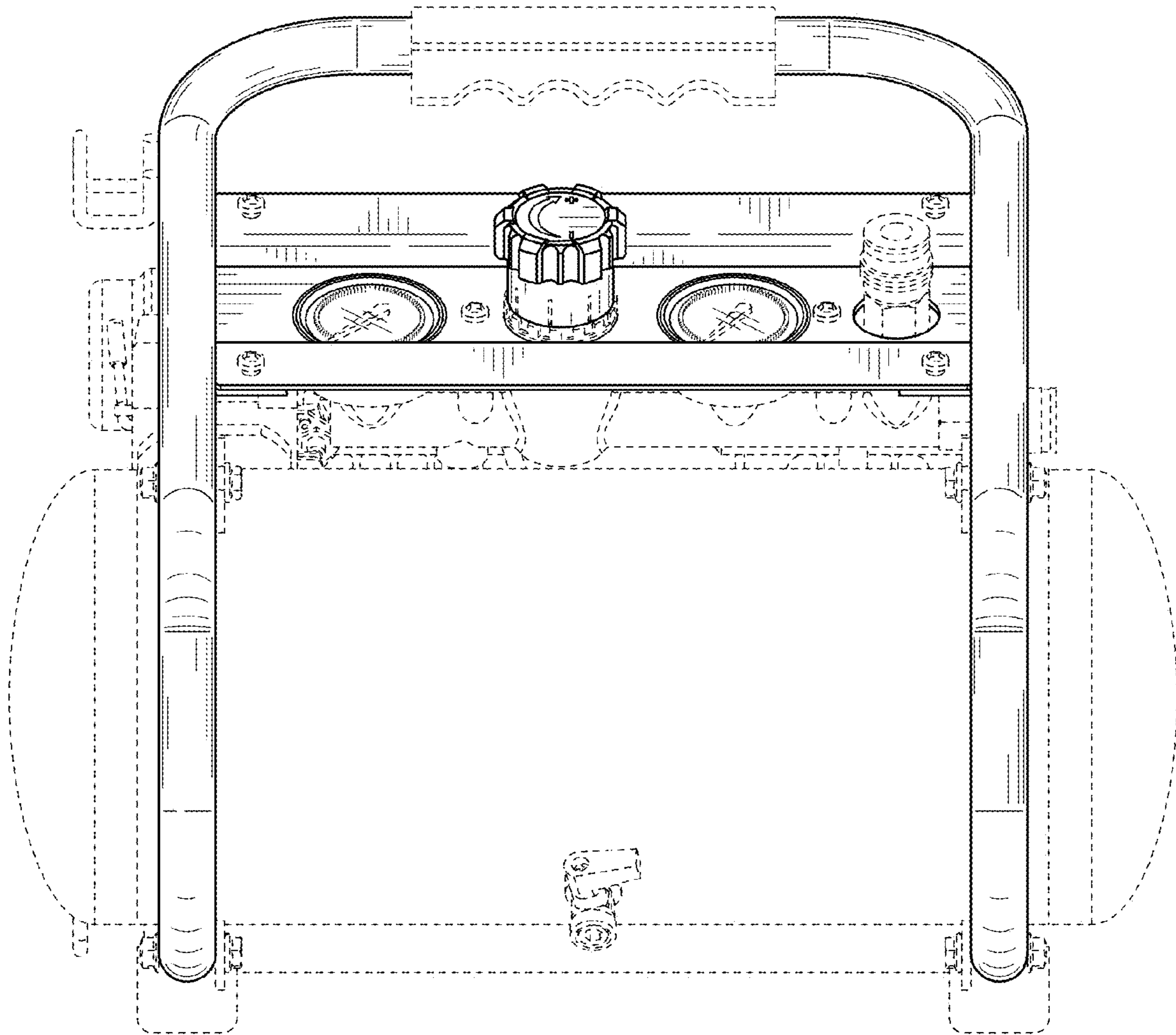


FIG. 10

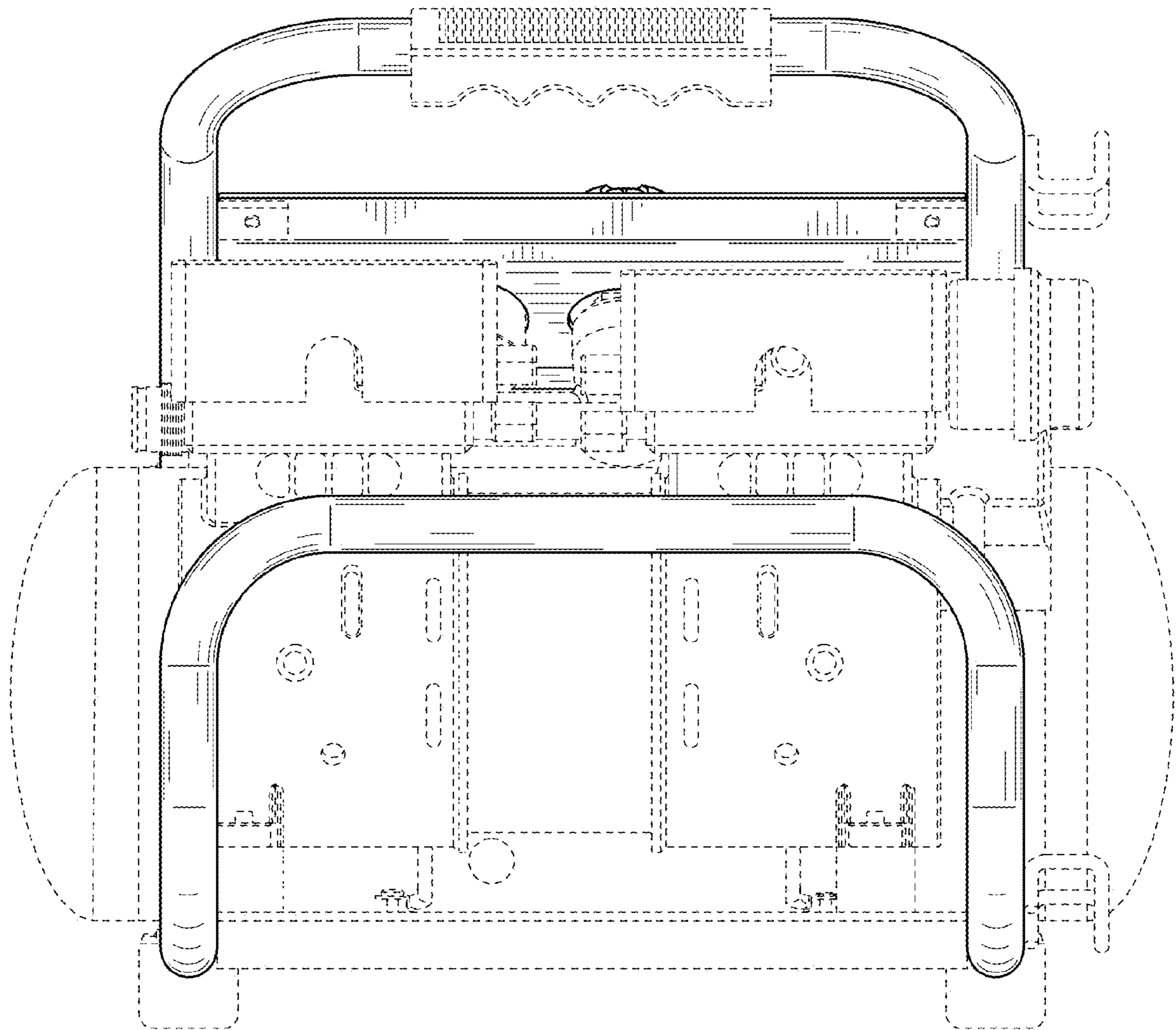


FIG. 11

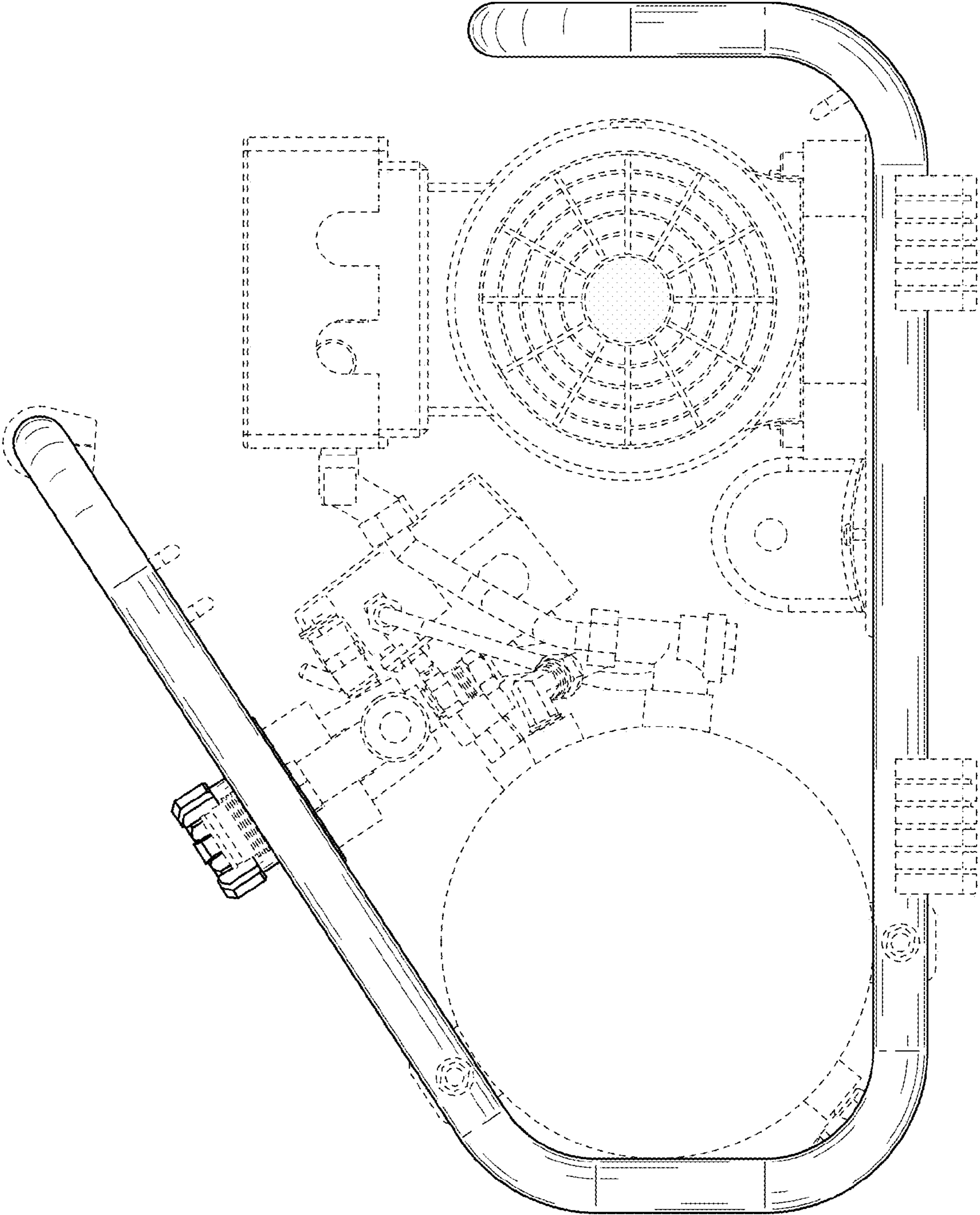


FIG. 12

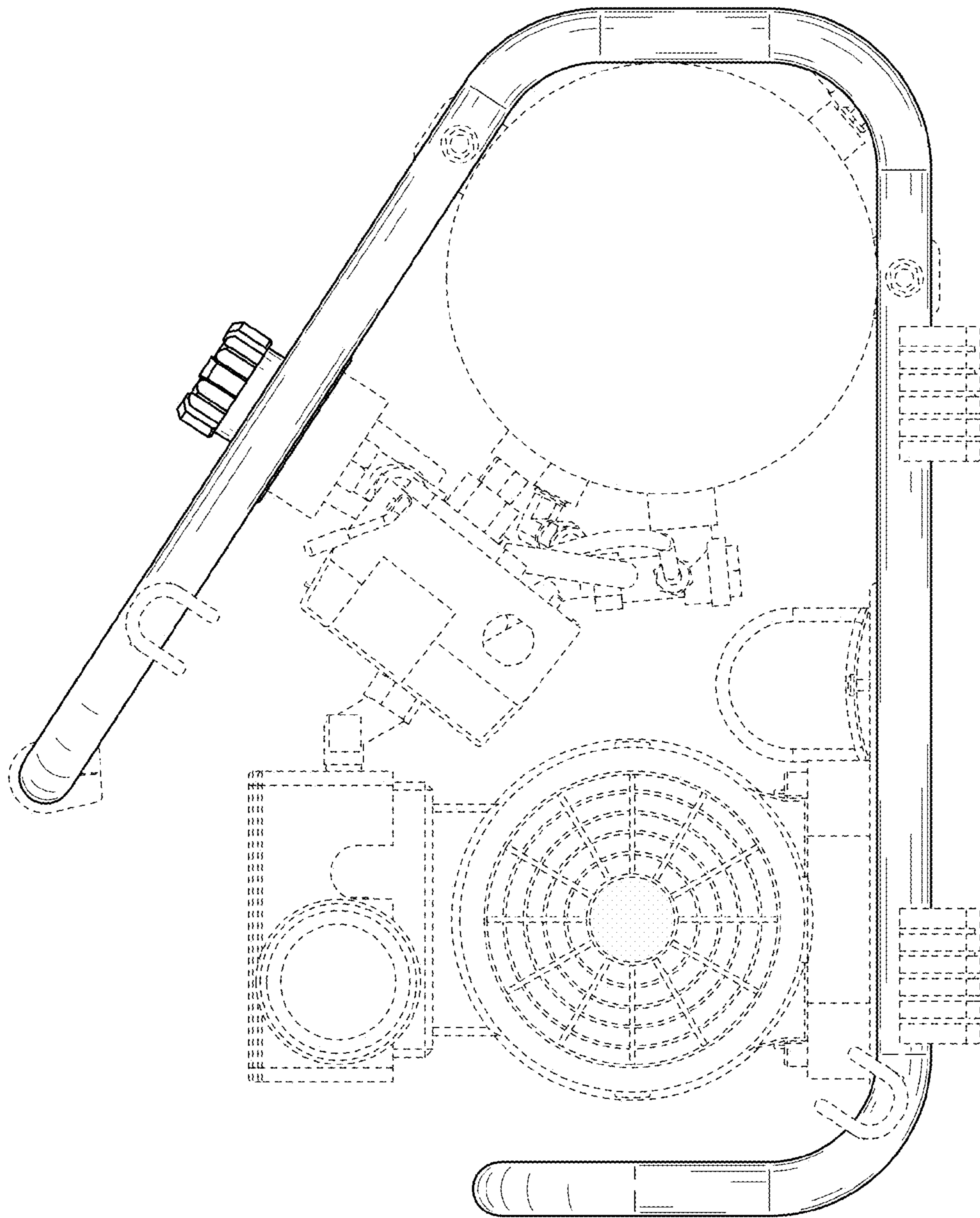


FIG. 13

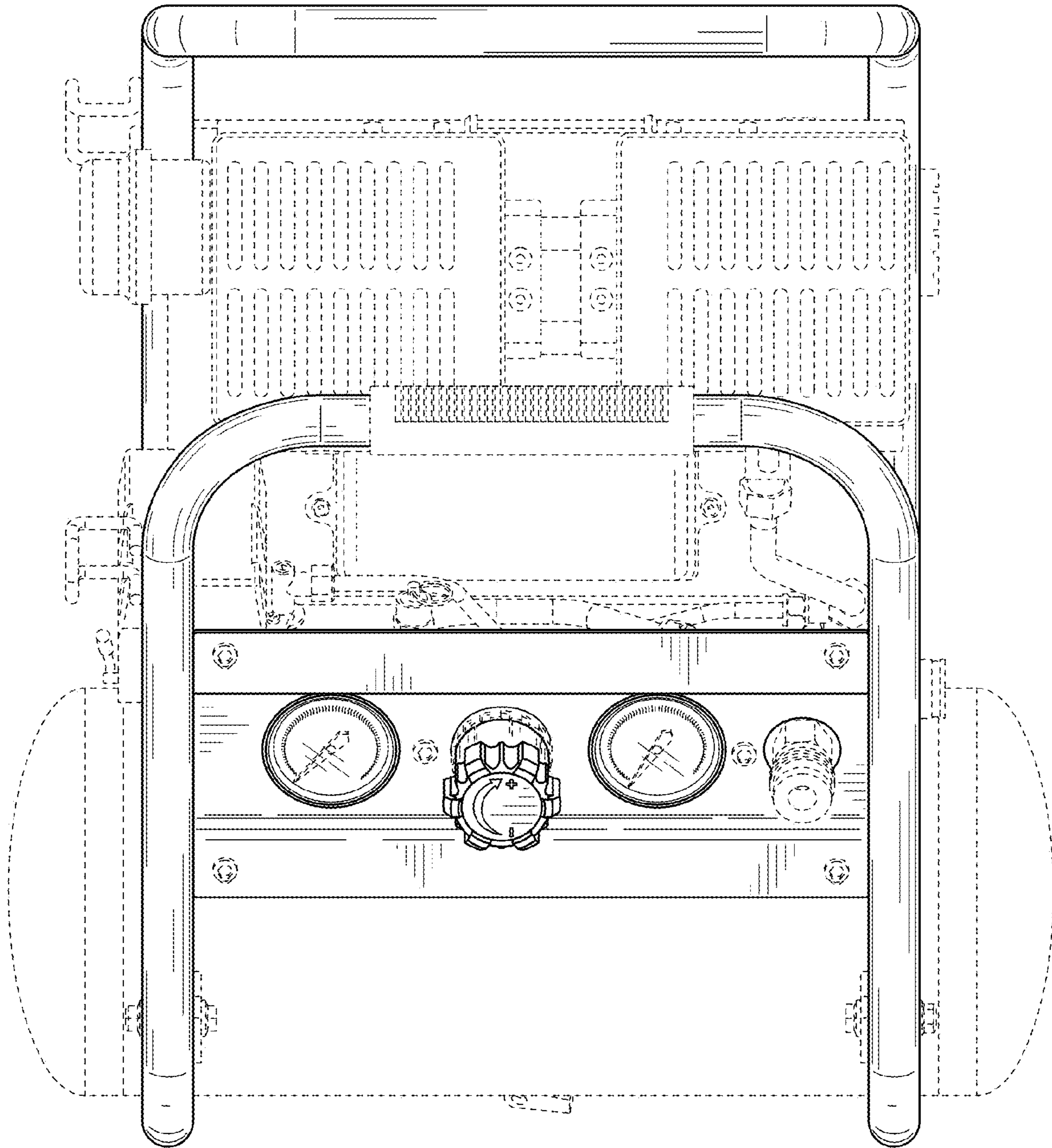


FIG. 14



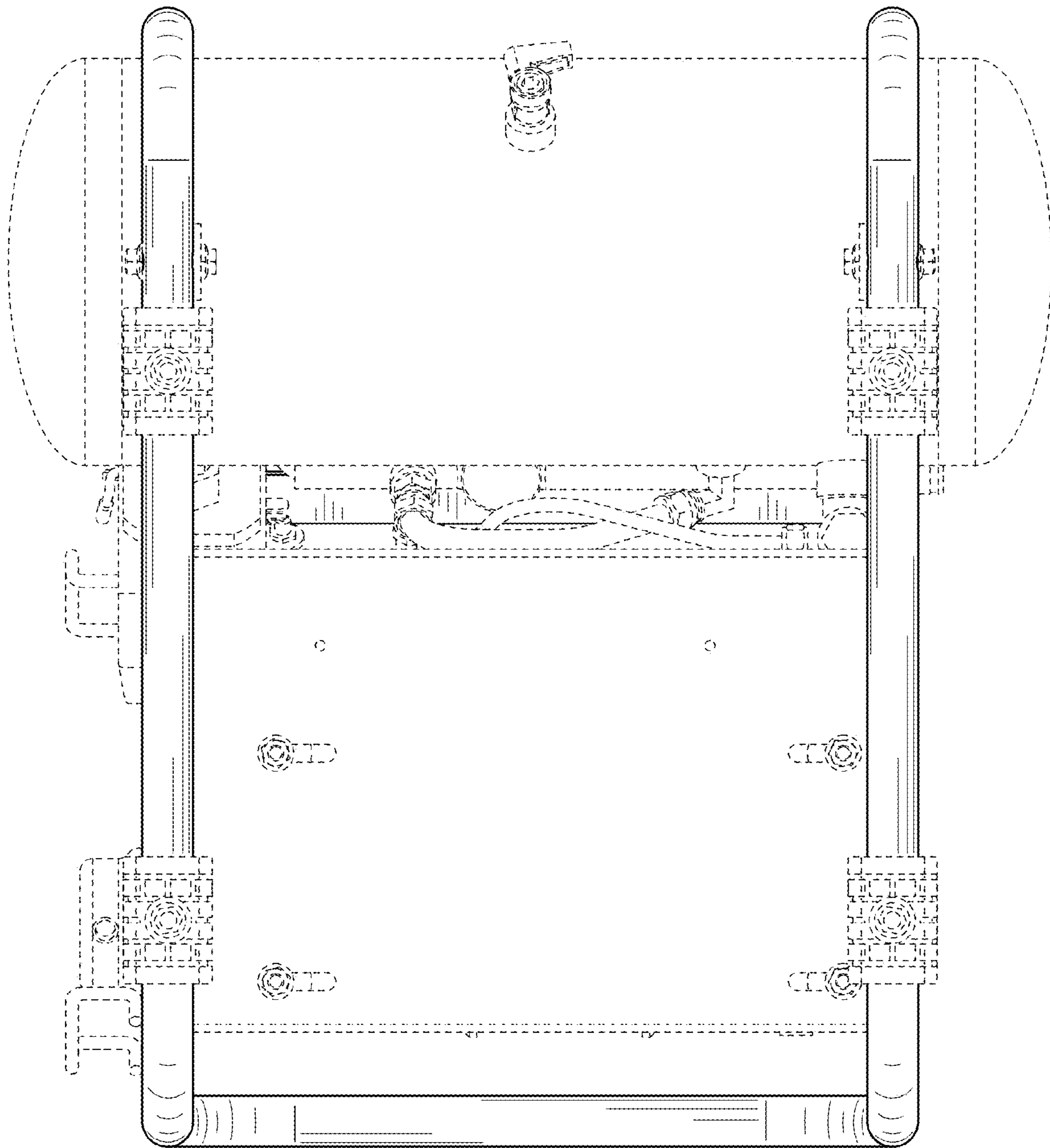


FIG. 15

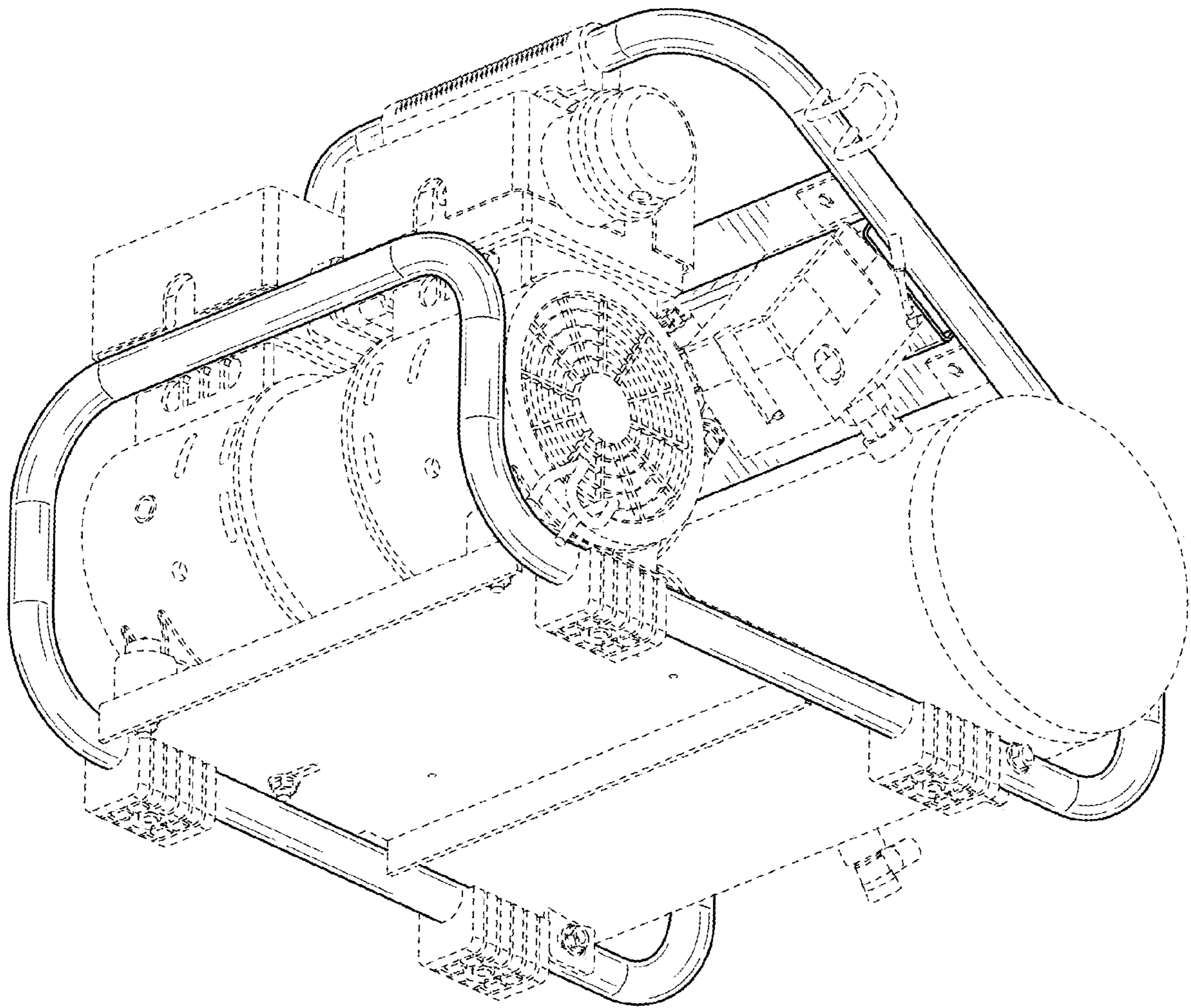


FIG. 16