



US00D891479S

(12) **United States Design Patent**
Boccatto

(10) **Patent No.:** **US D891,479 S**
(45) **Date of Patent:** **** Jul. 28, 2020**

- (54) **AIR COMPRESSOR**
- (71) Applicant: **FIAC S.P.A.**, Sasso Marconi (Bologna) (IT)
- (72) Inventor: **Lorenzo Boccatto**, Sasso Marconi (IT)
- (73) Assignee: **FIAC S.P.A.**, Sasso Marconi (IT)

D573,159 S *	7/2008	Etter	D15/7
D654,933 S *	2/2012	Yamanaka	D15/7
D668,268 S *	10/2012	Haener	D15/9
D681,679 S *	5/2013	Osaka	D15/7
D684,999 S *	6/2013	Osaka	D15/7
D689,526 S *	9/2013	Tsai	D15/9
D700,625 S *	3/2014	Iwagoshi	D15/7
D803,270 S *	11/2017	Chen	D15/9
D832,891 S *	11/2018	Chu	D15/9

- (**) Term: **15 Years**
- (21) Appl. No.: **29/659,990**
- (22) Filed: **Aug. 14, 2018**

FOREIGN PATENT DOCUMENTS

CN	301522776 S	4/2011
CN	105065232 B	11/2015

* cited by examiner

(30) **Foreign Application Priority Data**

Feb. 19, 2018 (EM) 004714509-0001

- (51) **LOC (12) Cl.** **15-02**
- (52) **U.S. Cl.**
USPC **D15/9**
- (58) **Field of Classification Search**
USPC D15/7-9; D23/231, 232
CPC F04B 41/00-41/06; F04B 31/00; F04B
35/00; F04B 53/92; F04B 1/005; F02M
37/04; F02M 37/14
See application file for complete search history.

Primary Examiner — Mitchell I. Siegel
(74) *Attorney, Agent, or Firm* — Shuttleworth & Ingersoll, PLC; Timothy Klima

(57) **CLAIM**

The ornamental design for an air compressor, as shown and described.

DESCRIPTION

FIG. 1 is a front perspective view of an air compressor, showing my new design;
FIG. 2 is a back elevational view thereof;
FIG. 3 is a right side elevational view thereof;
FIG. 4 is a left side elevational view thereof;
FIG. 5 is a front elevational view thereof;
FIG. 6 is a top plan view thereof;
FIG. 7 is a bottom plan view thereof; and,
FIG. 8 is a back perspective view thereof.
Any broken lines in the figures illustrate portions of the air compressor that form no part of the claimed design.

(56) **References Cited**

U.S. PATENT DOCUMENTS

D377,967 S *	2/1997	Rozek	D15/9
D379,996 S *	6/1997	Leu	D15/9
D382,883 S *	8/1997	Breitzman	D15/9
D412,174 S *	7/1999	Faulkner	D15/9
6,331,101 B2 *	12/2001	Leu F04B 35/04 417/415	
D499,119 S *	11/2004	Thomas, Jr.	D15/9
D549,734 S *	8/2007	Chern	D15/7

1 Claim, 8 Drawing Sheets

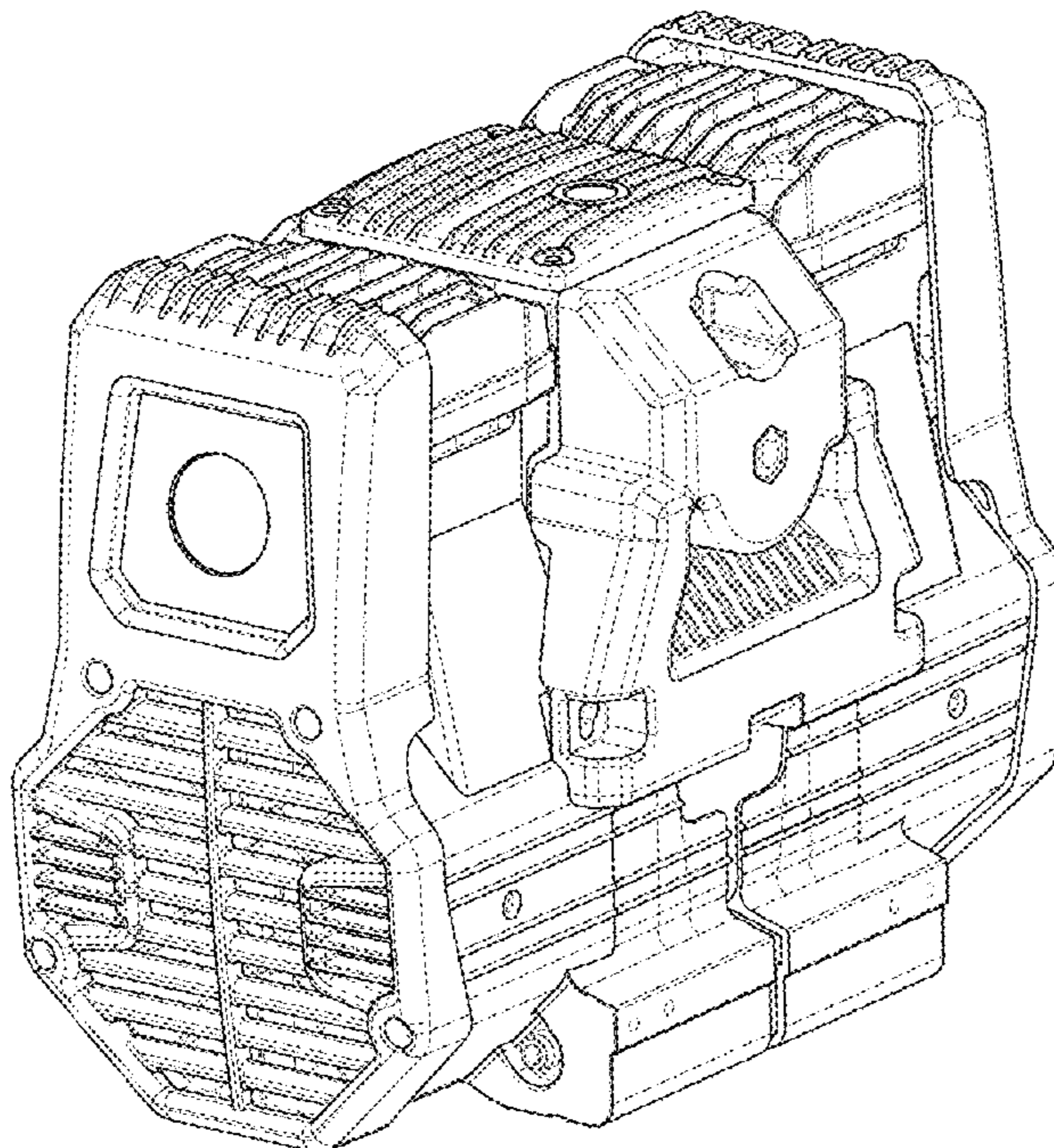


FIG. 1

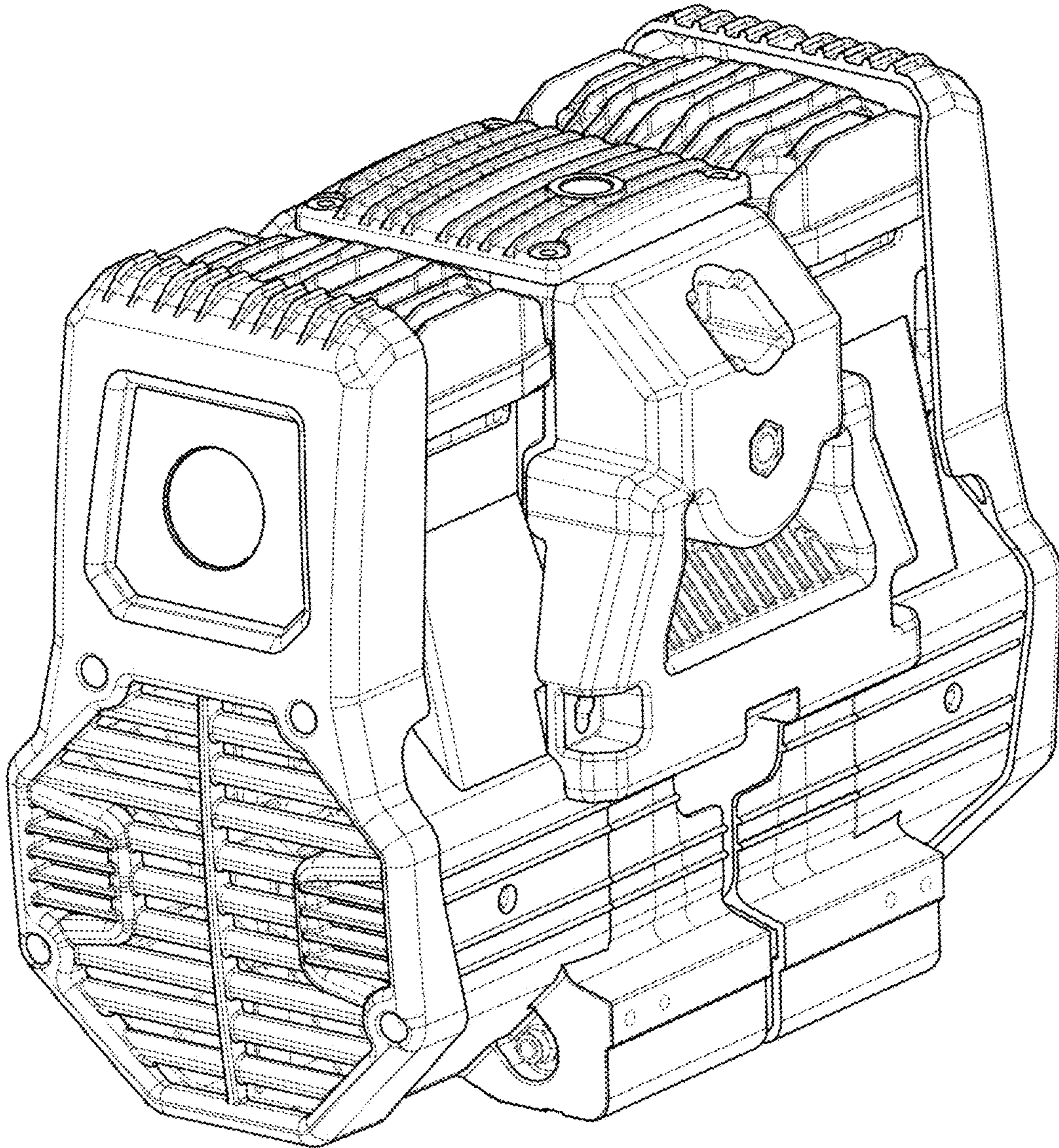


FIG. 2

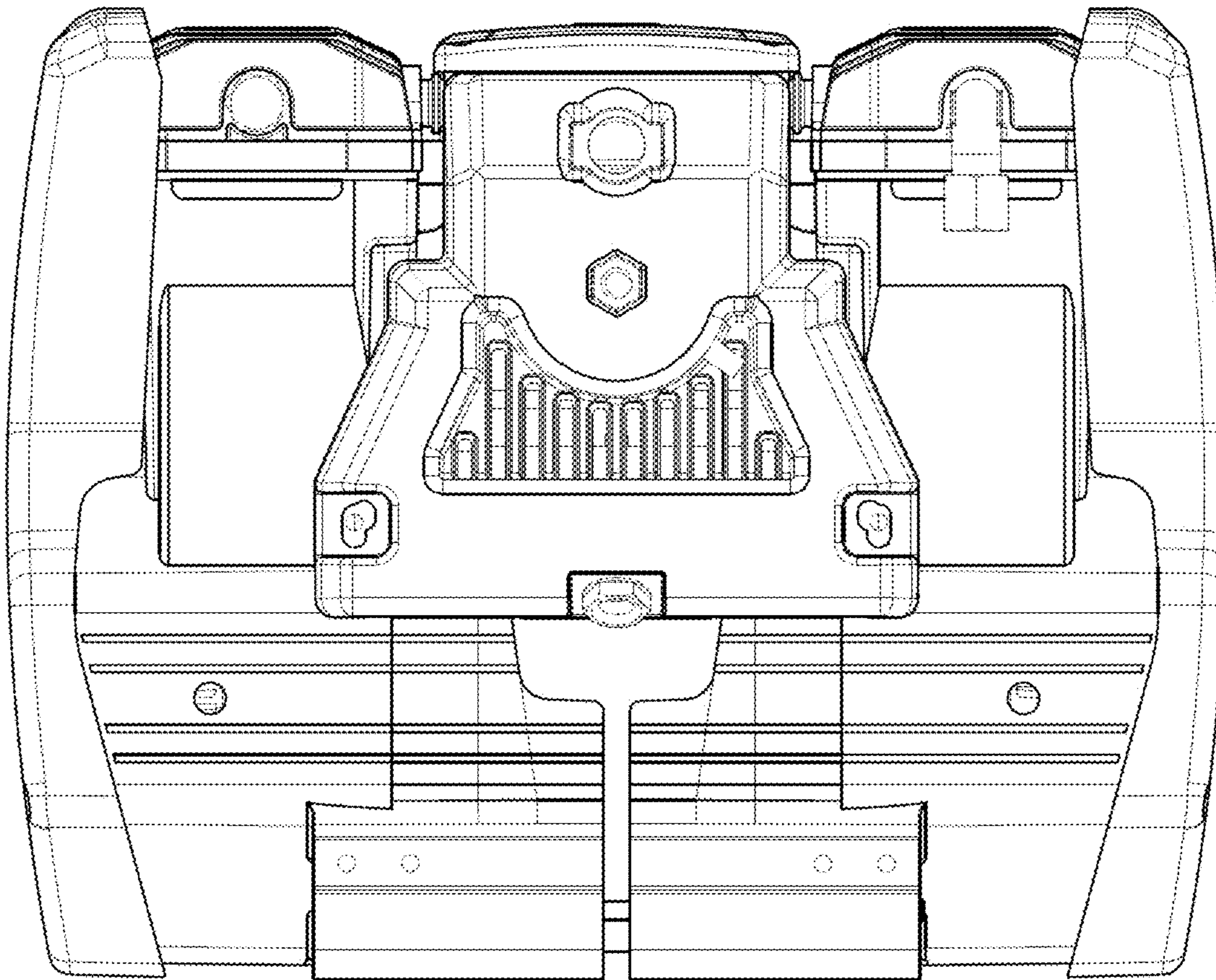


FIG. 3

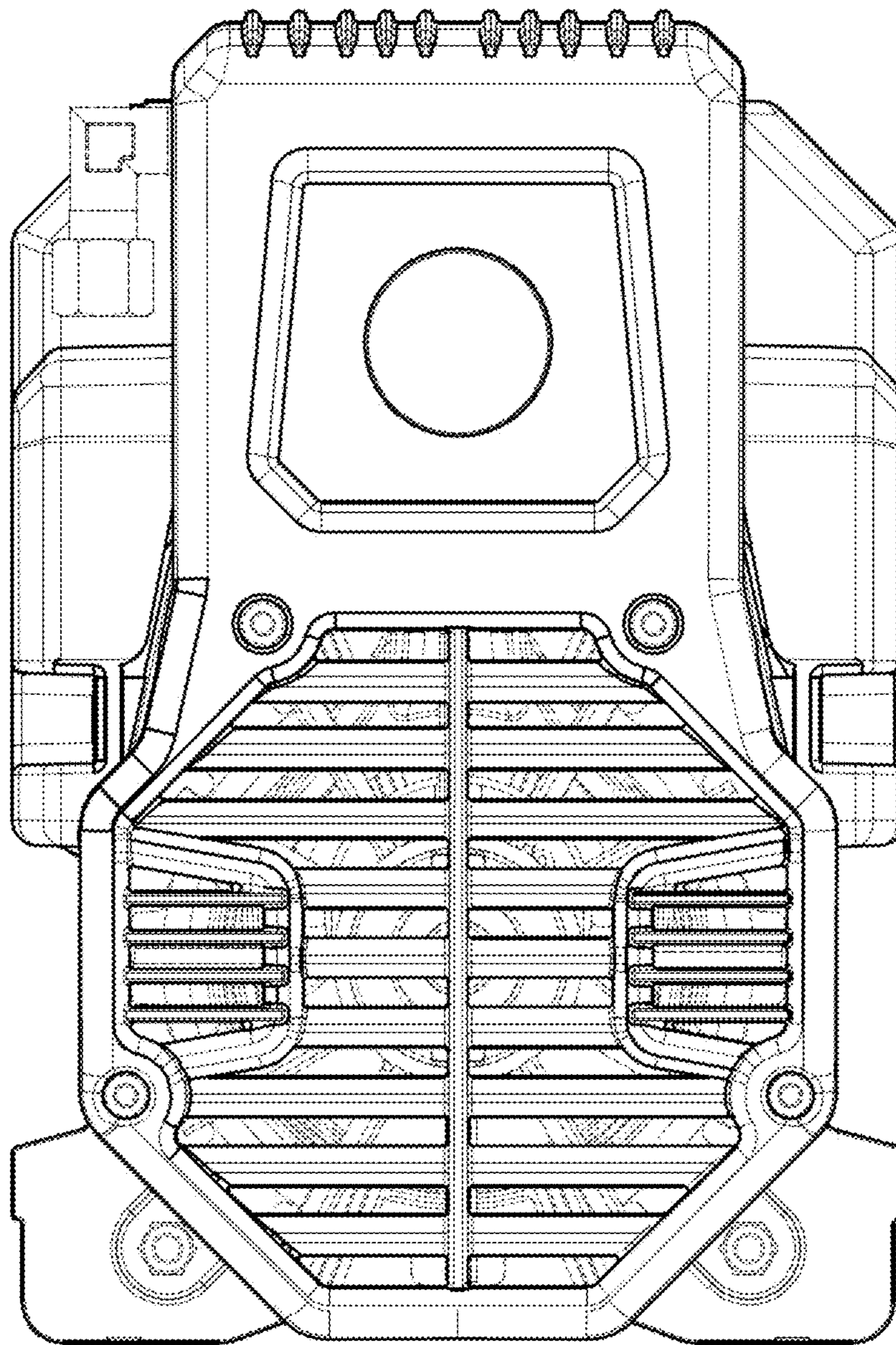


FIG. 4

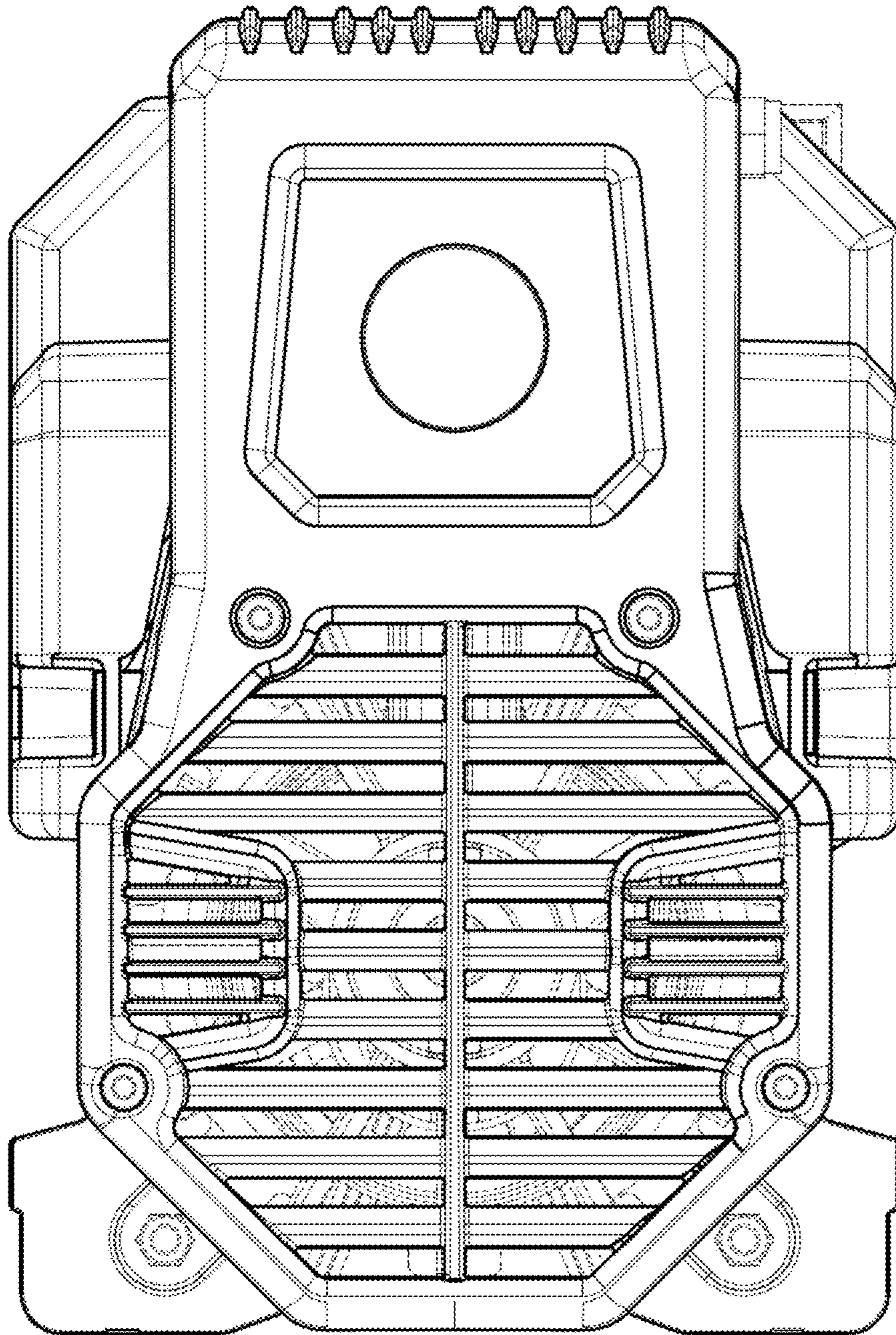


FIG. 5

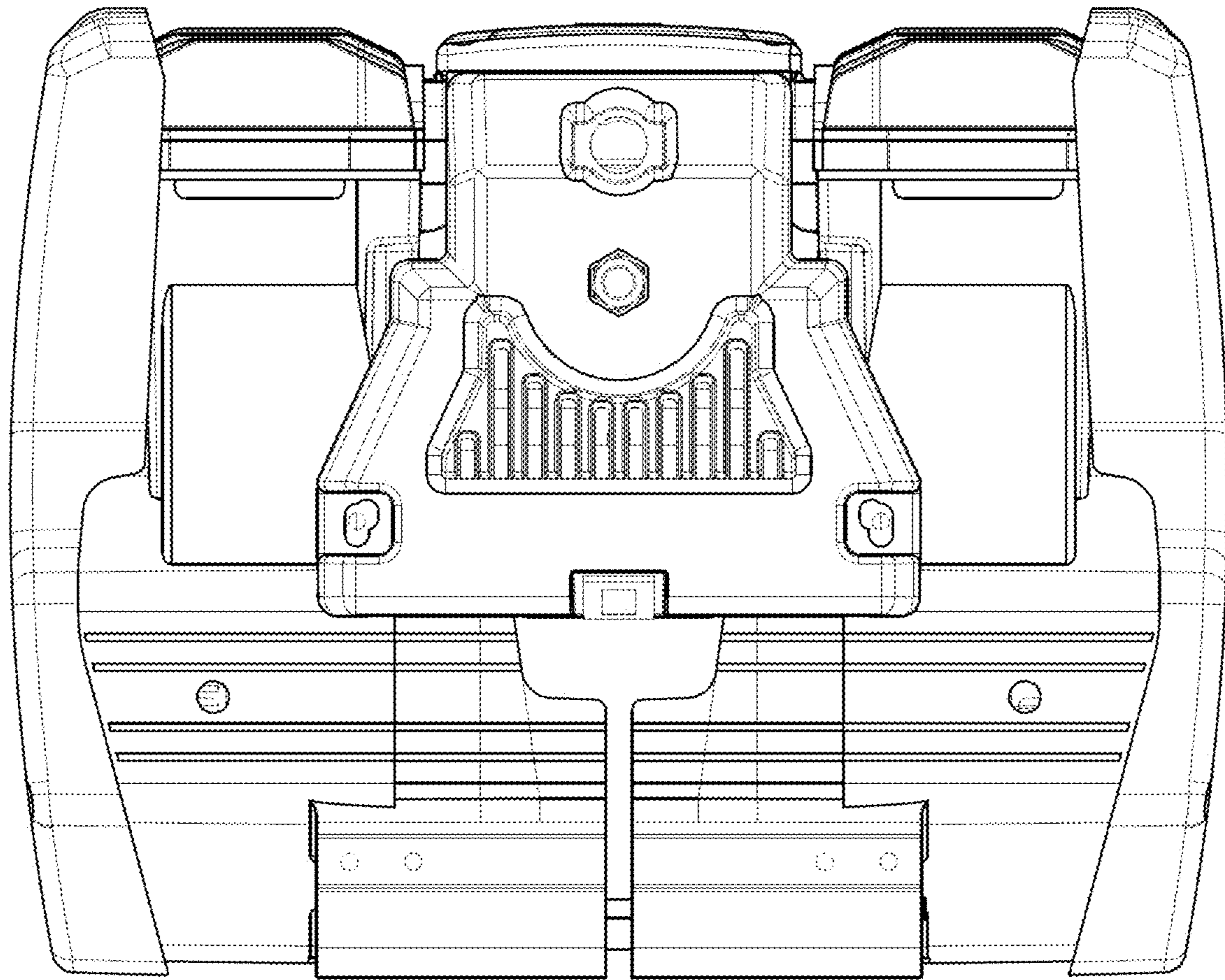


FIG. 6

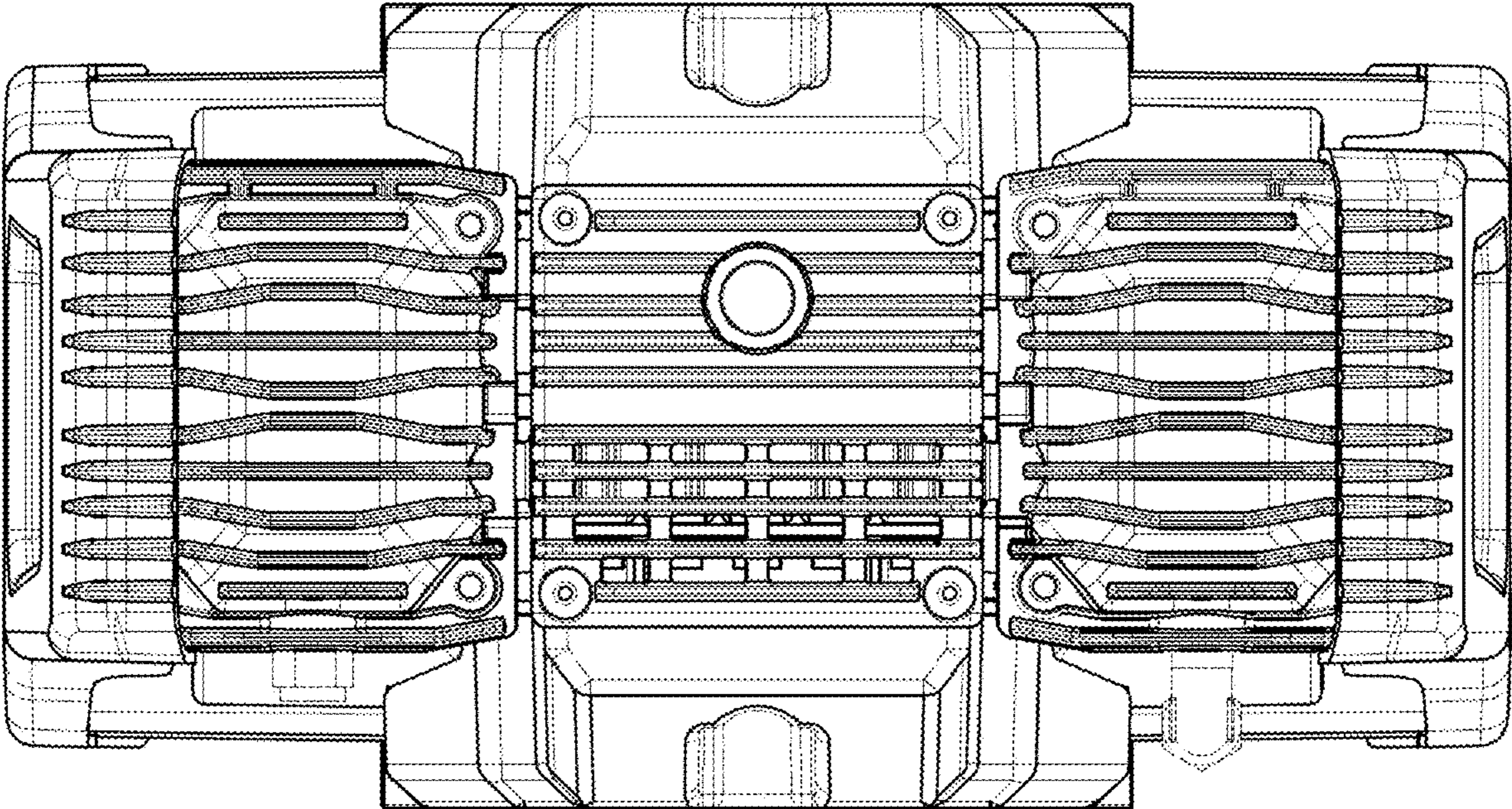


FIG. 7

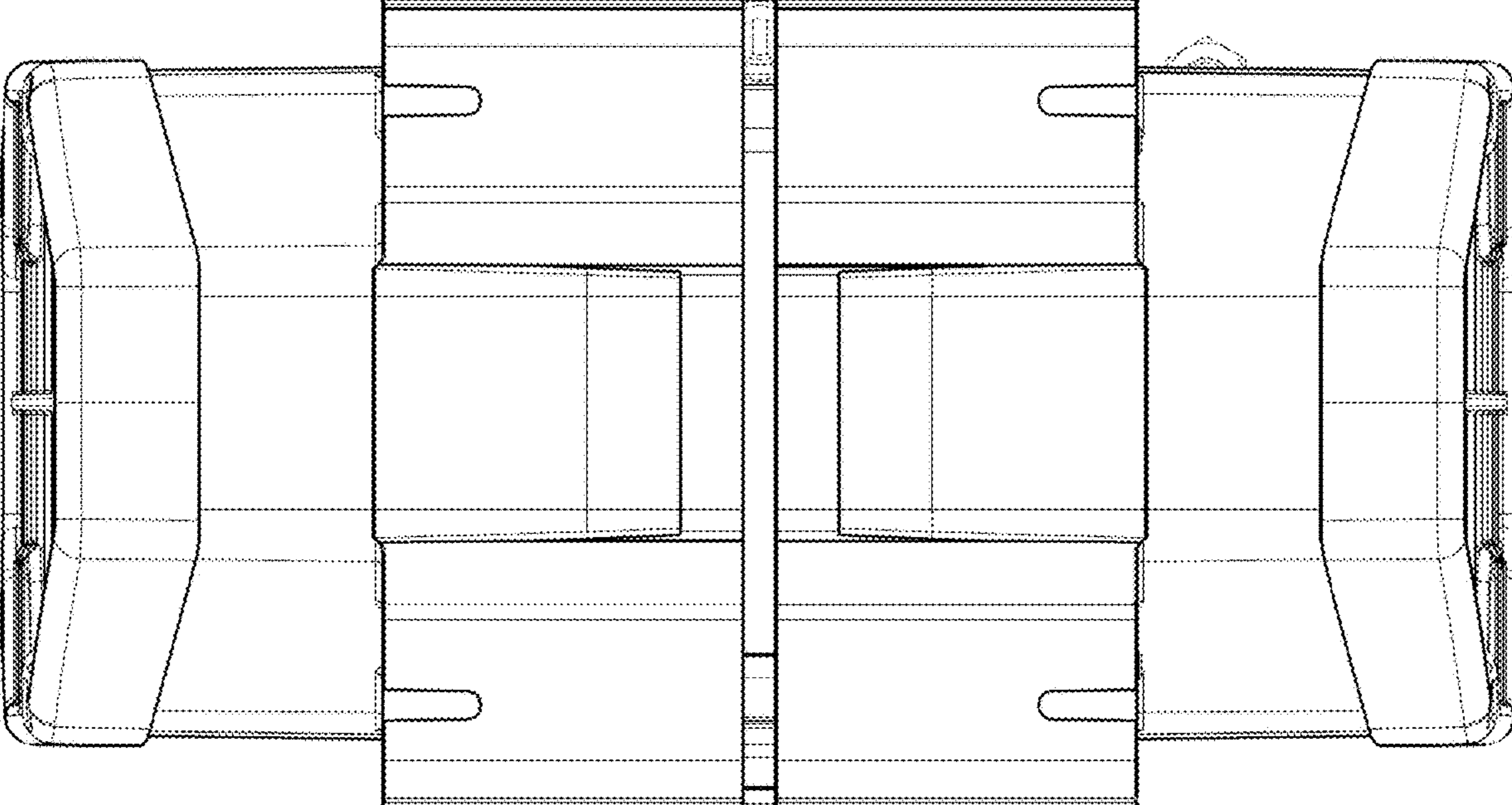


FIG. 8

