



US00D891478S

(12) **United States Design Patent**  
**Ou et al.**

(10) **Patent No.:** **US D891,478 S**  
(45) **Date of Patent:** **\*\* Jul. 28, 2020**

(54) **PUMP**

(71) Applicant: **SHENZHEN QIANHAI PATUOXUN NETWORK AND TECHNOLOGY CO., LTD**, Shenzhen (CN)

(72) Inventors: **Shiwei Ou**, Shenzhen (CN); **Qian Chen**, Shenzhen (CN)

(73) Assignee: **SHENZHEN QIANHAI PATUOXUN NETWORK AND TECHNOLOGY CO., LTD**, Shenzhen (CN)

(\*\*) Term: **15 Years**

(21) Appl. No.: **29/733,162**

(22) Filed: **Apr. 30, 2020**

(51) **LOC (12) Cl.** ..... **15-02**

(52) **U.S. Cl.**  
USPC ..... **D15/7**

(58) **Field of Classification Search**  
USPC ..... D15/7-9; D23/225, 231, 232  
CPC ..... F02M 37/04; F02M 37/14; F04B 53/92;  
F04B 1/005; F04D 13/06; F04D 29/22;  
F04D 29/046; F04D 29/2266  
See application file for complete search history.

(56) **References Cited**

U.S. PATENT DOCUMENTS

D224,356	S	*	7/1972	Kondo	.....	D15/8
D247,435	S	*	3/1978	Willinger	.....	D15/8
D253,652	S	*	12/1979	Maryanski	.....	D15/8
D317,922	S	*	7/1991	Toyoda	.....	D15/5
D335,291	S	*	5/1993	Schnell	.....	D15/7
D335,292	S	*	5/1993	Schnell	.....	D15/7
D338,018	S	*	8/1993	Willinger	.....	D15/8
D353,384	S	*	12/1994	Ninomiya	.....	D15/7
D374,075	S	*	9/1996	Lee	.....	D15/7
D404,399	S	*	1/1999	Wang	.....	D15/7
D505,429	S	*	5/2005	Wang	.....	D15/7

D508,921	S	*	8/2005	Hsieh	.....	D15/7
D511,530	S	*	11/2005	Wang	.....	D15/7
D512,440	S	*	12/2005	Wang	.....	D15/7
D613,771	S	*	4/2010	Gaertner	.....	D15/7
D619,624	S	*	7/2010	Iwagoshi	.....	D15/7
D657,799	S	*	4/2012	Jung	.....	D15/7
D701,536	S	*	3/2014	Shakal	.....	D15/7
D704,229	S	*	5/2014	Feng	.....	D15/7
D772,947	S	*	11/2016	Emanuele	.....	D15/7
D826,281	S	*	8/2018	Mead	.....	D15/7
D826,282	S	*	8/2018	Mead	.....	D15/7
D826,283	S	*	8/2018	Mead	.....	D15/7
D844,671	S	*	4/2019	Walmsley	.....	D15/7
D847,864	S	*	5/2019	Janardhan	.....	D15/7
D847,865	S	*	5/2019	Janardhan	.....	D15/7
D847,866	S	*	5/2019	Janardhan	.....	D15/7
D850,490	S	*	6/2019	Janardhan	.....	D15/7
D884,035	S	*	5/2020	Wu	.....	D15/7
D886,159	S	*	6/2020	Houguchi	.....	D15/8
2016/0312784	A1		10/2016	Patel		
2019/0299114	A1	*	10/2019	Shiner	.....	B01D 19/04

\* cited by examiner

*Primary Examiner* — Mitchell I. Siegel

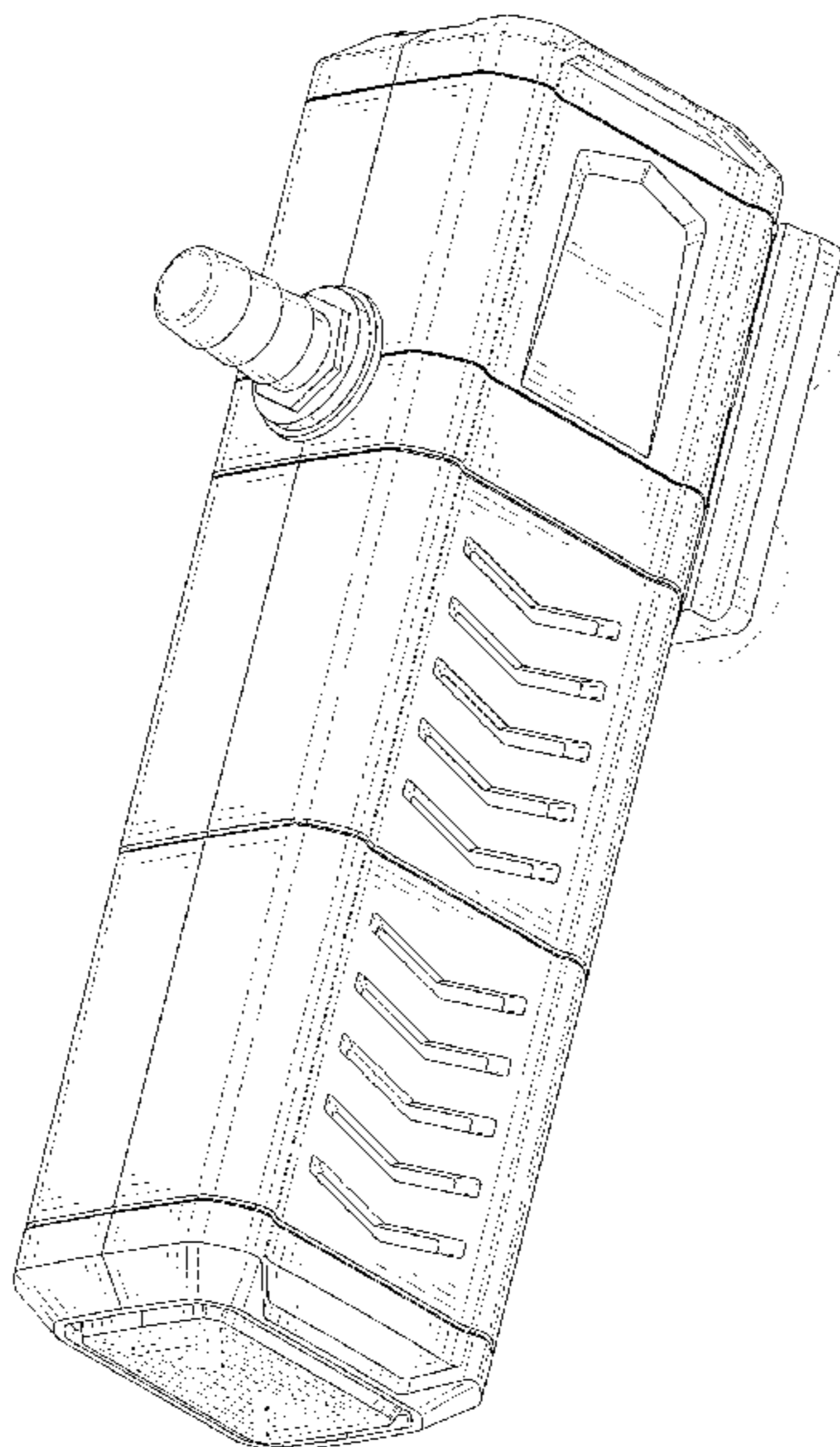
(57) **CLAIM**

The ornamental design for a pump, as shown and described.

**DESCRIPTION**

FIG. 1 is a perspective view of a pump showing my new design;  
FIG. 2 is another perspective view thereof;  
FIG. 3 is a front elevational view thereof;  
FIG. 4 is a rear elevational view thereof;  
FIG. 5 is a left side elevational view thereof;  
FIG. 6 is a right side elevational view thereof;  
FIG. 7 is a top plan view thereof; and,  
FIG. 8 is a bottom plan view thereof.  
The broken lines in the drawings depict portions of the pump that form no part of the claimed design.

**1 Claim, 8 Drawing Sheets**



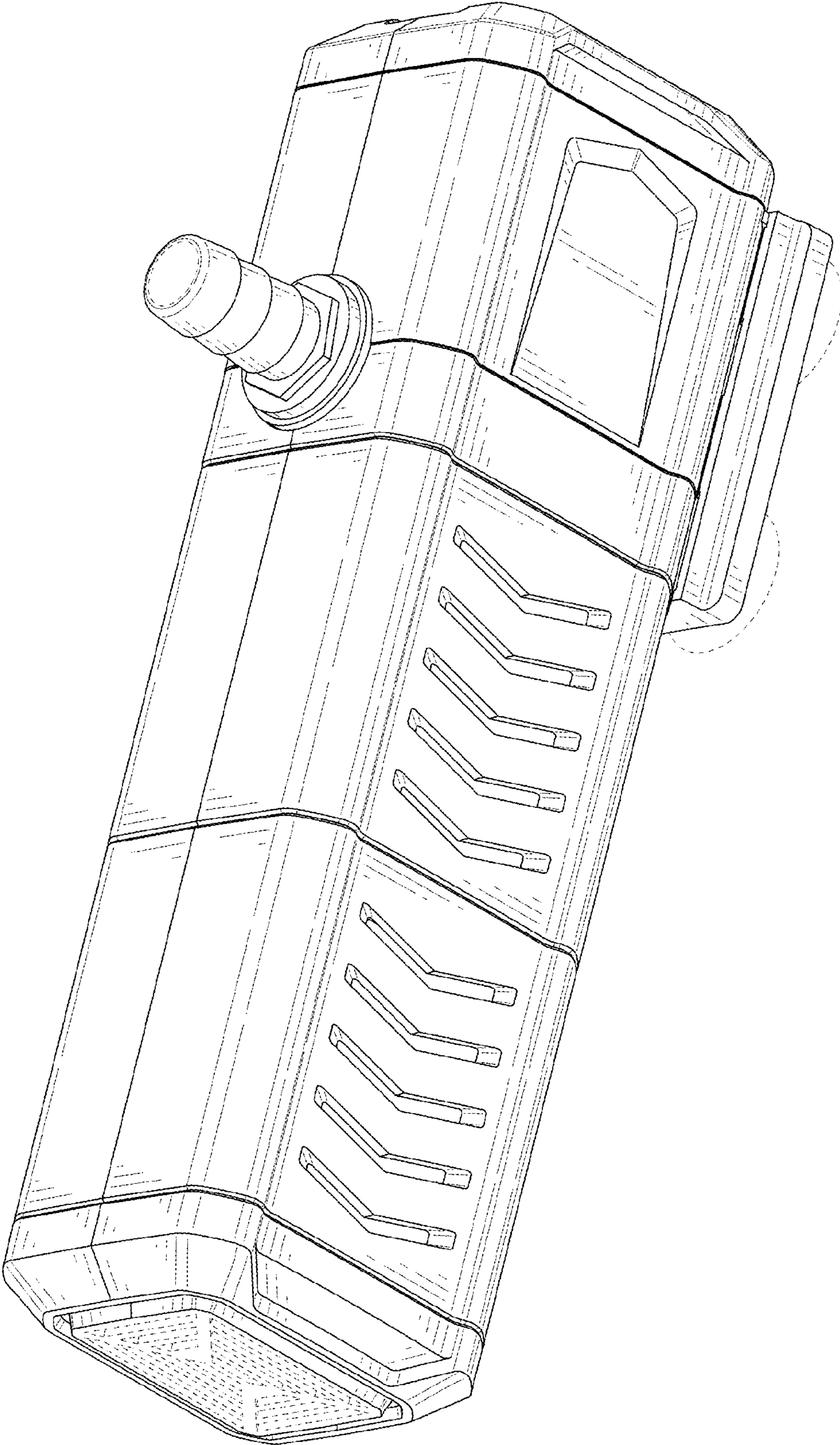


FIG. 1



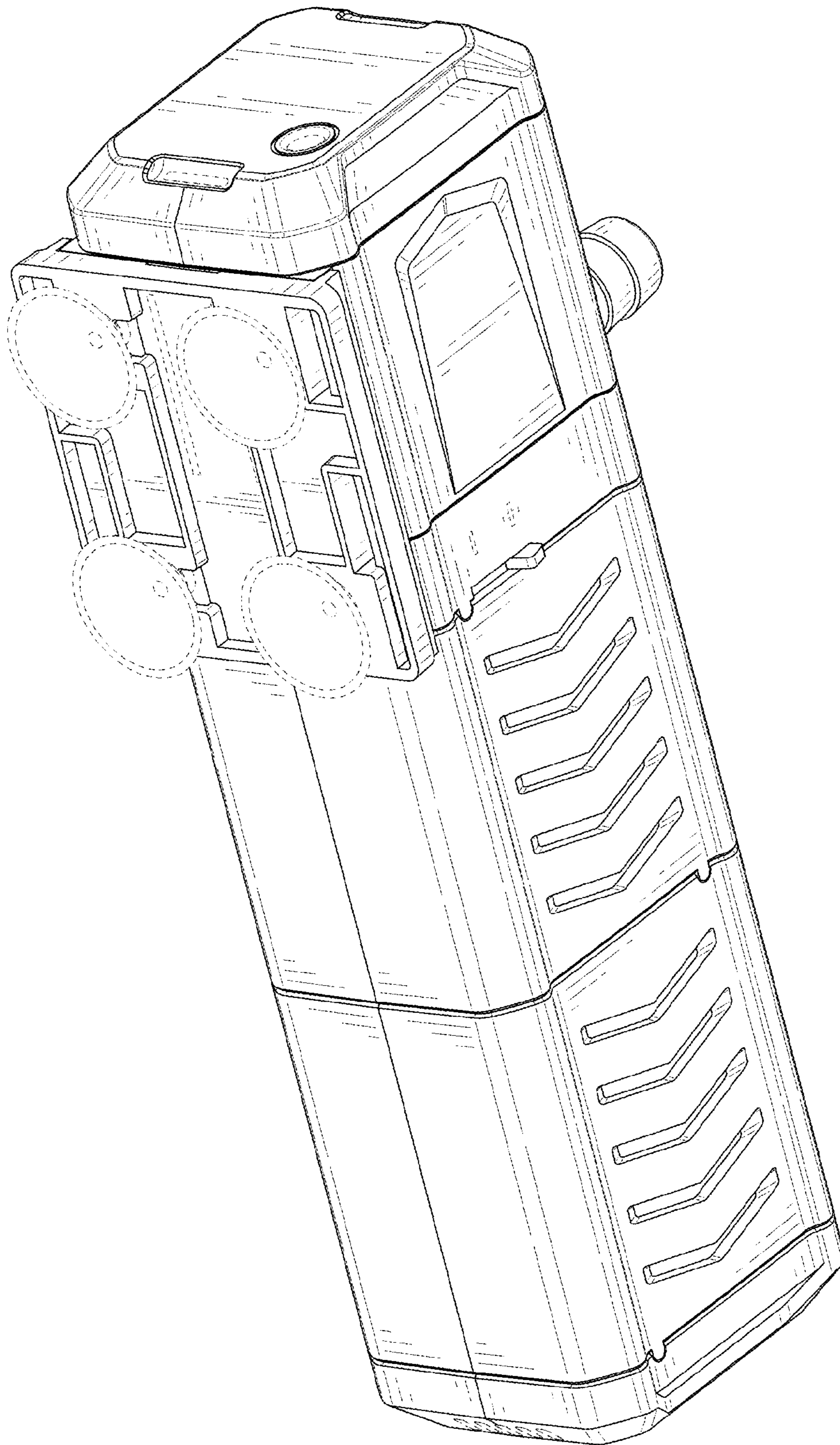


FIG. 2

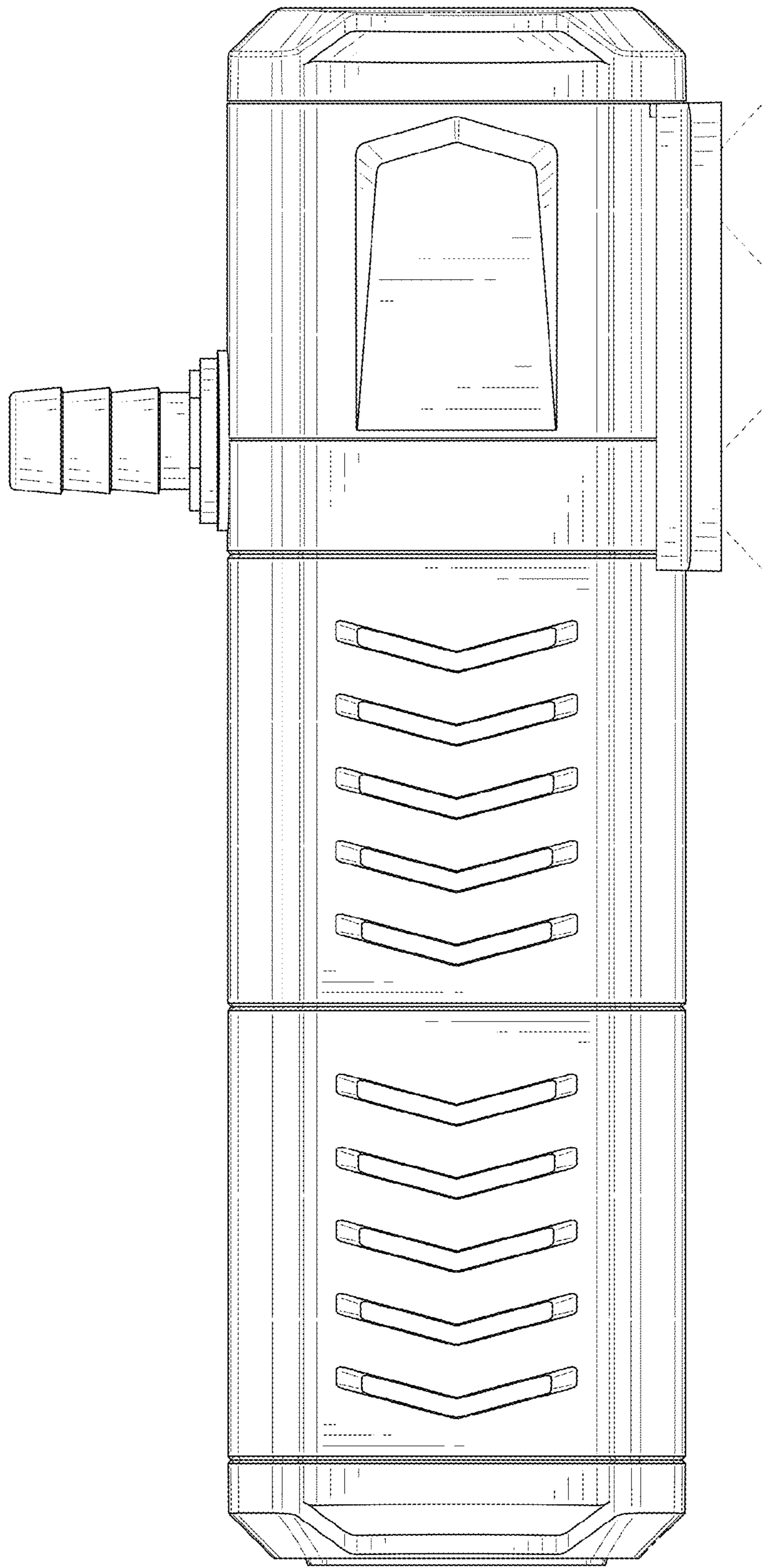


FIG. 3

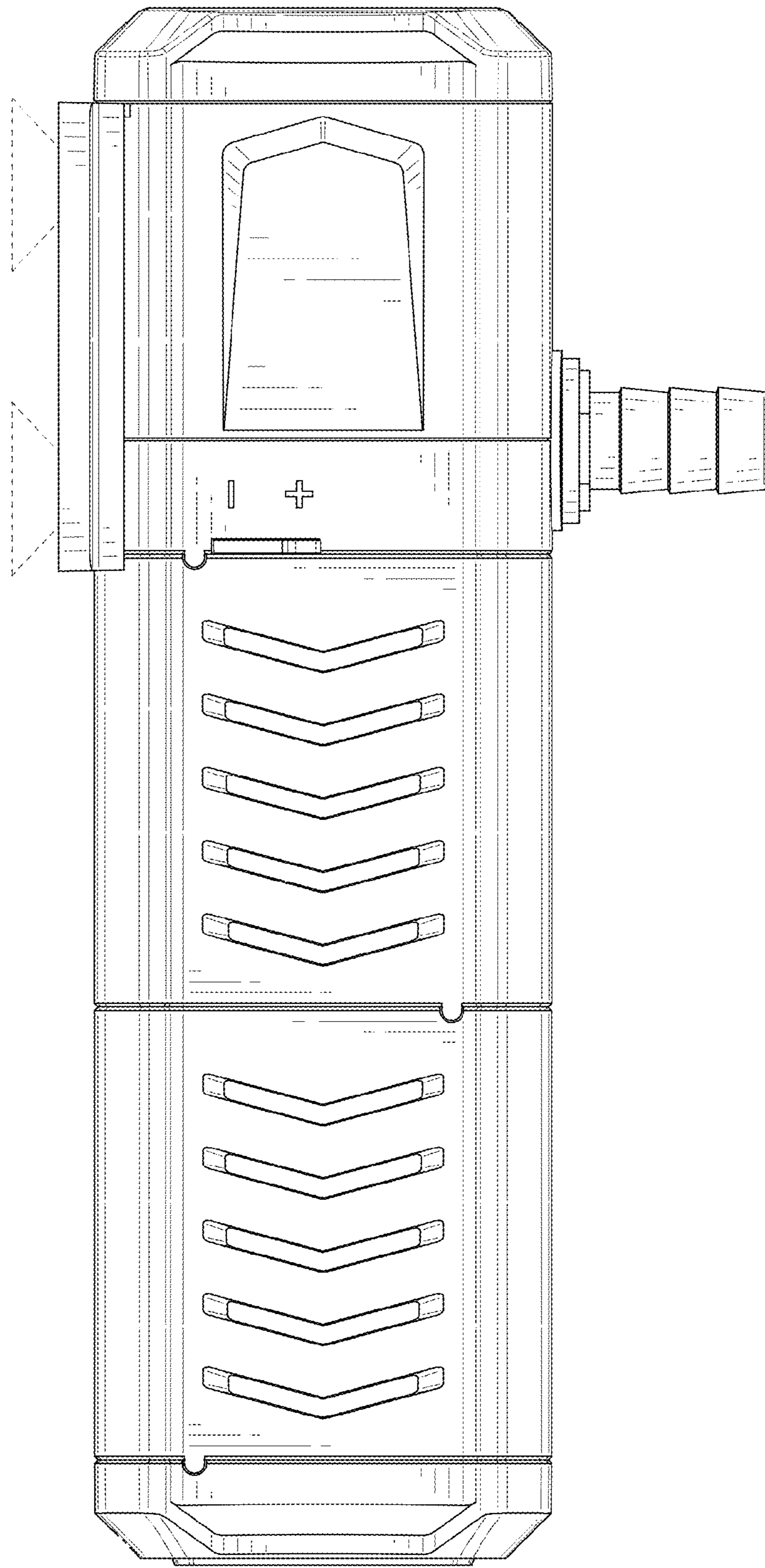


FIG. 4

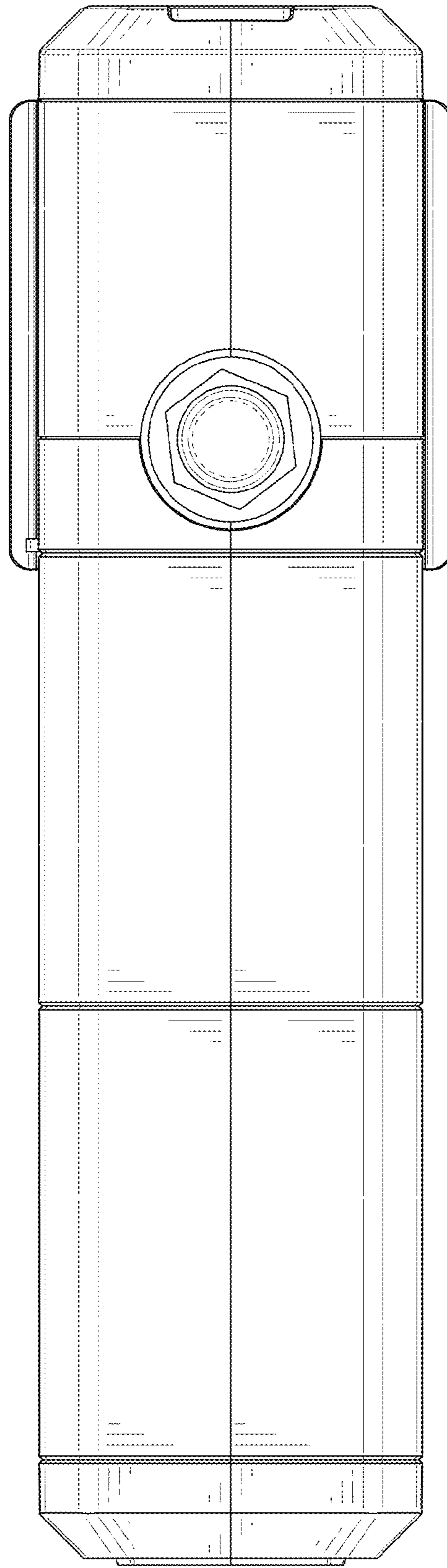


FIG. 5



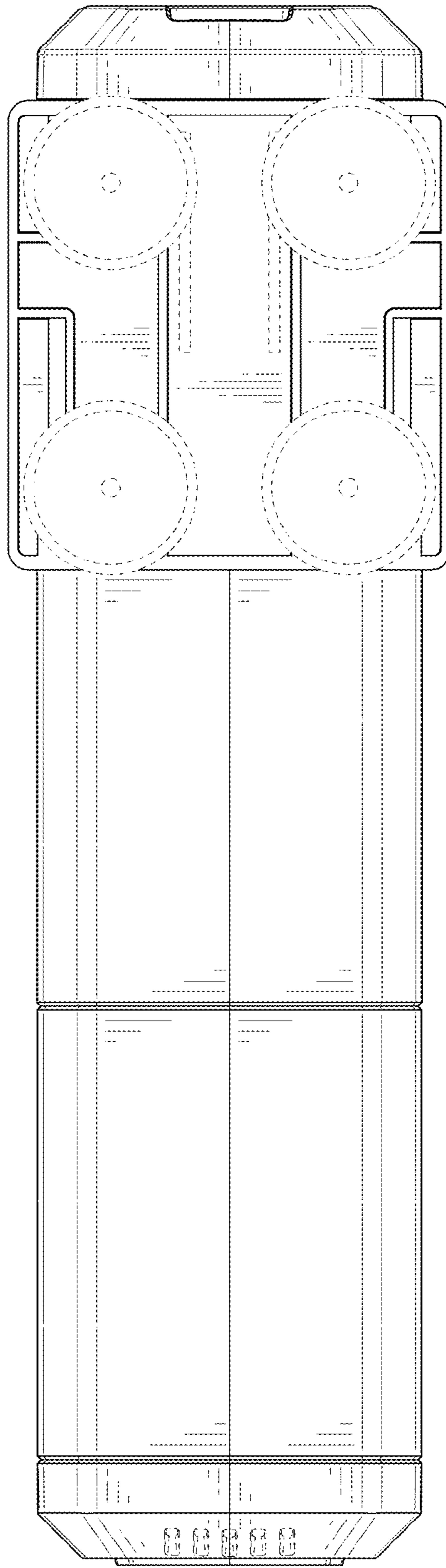


FIG. 6

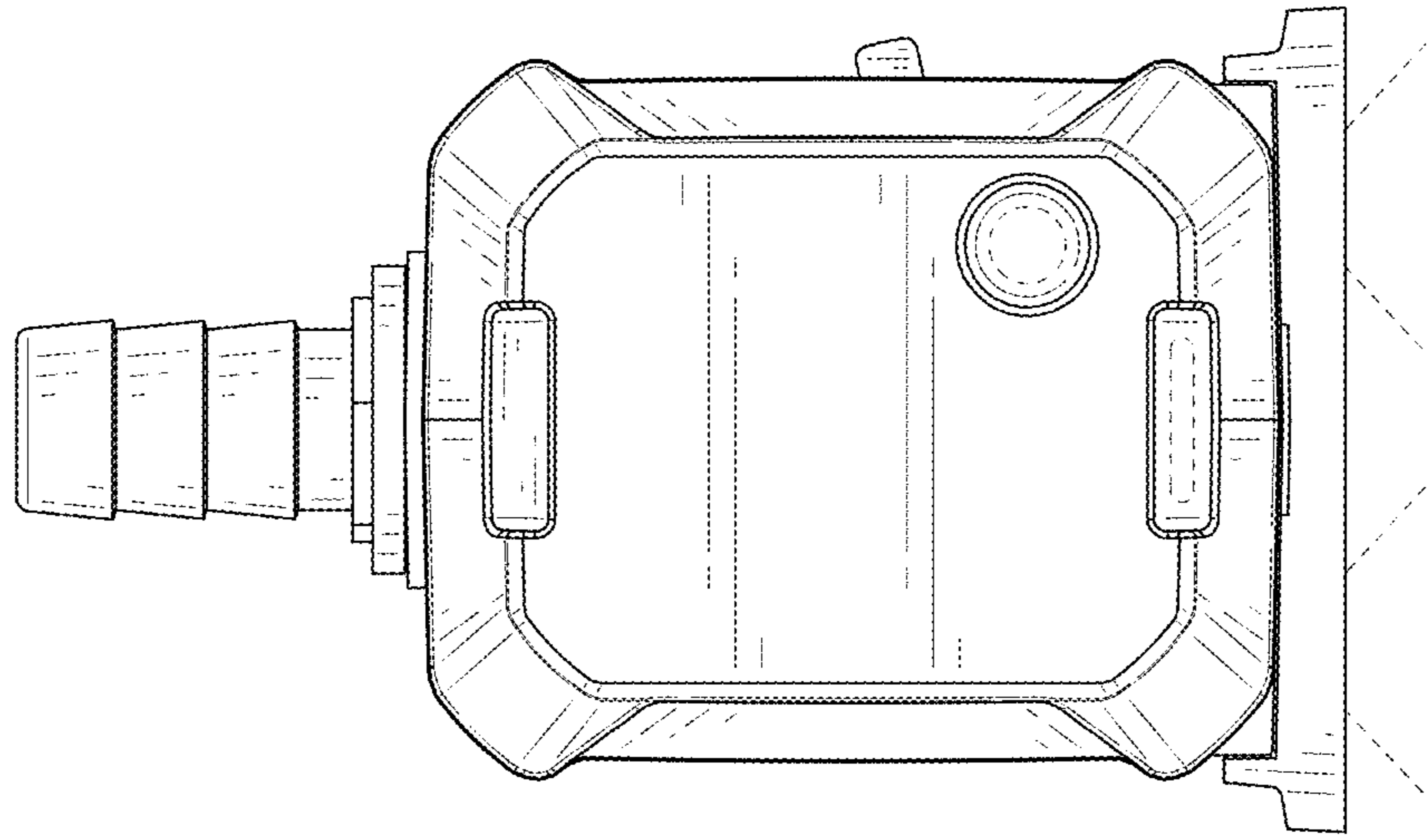


FIG. 7



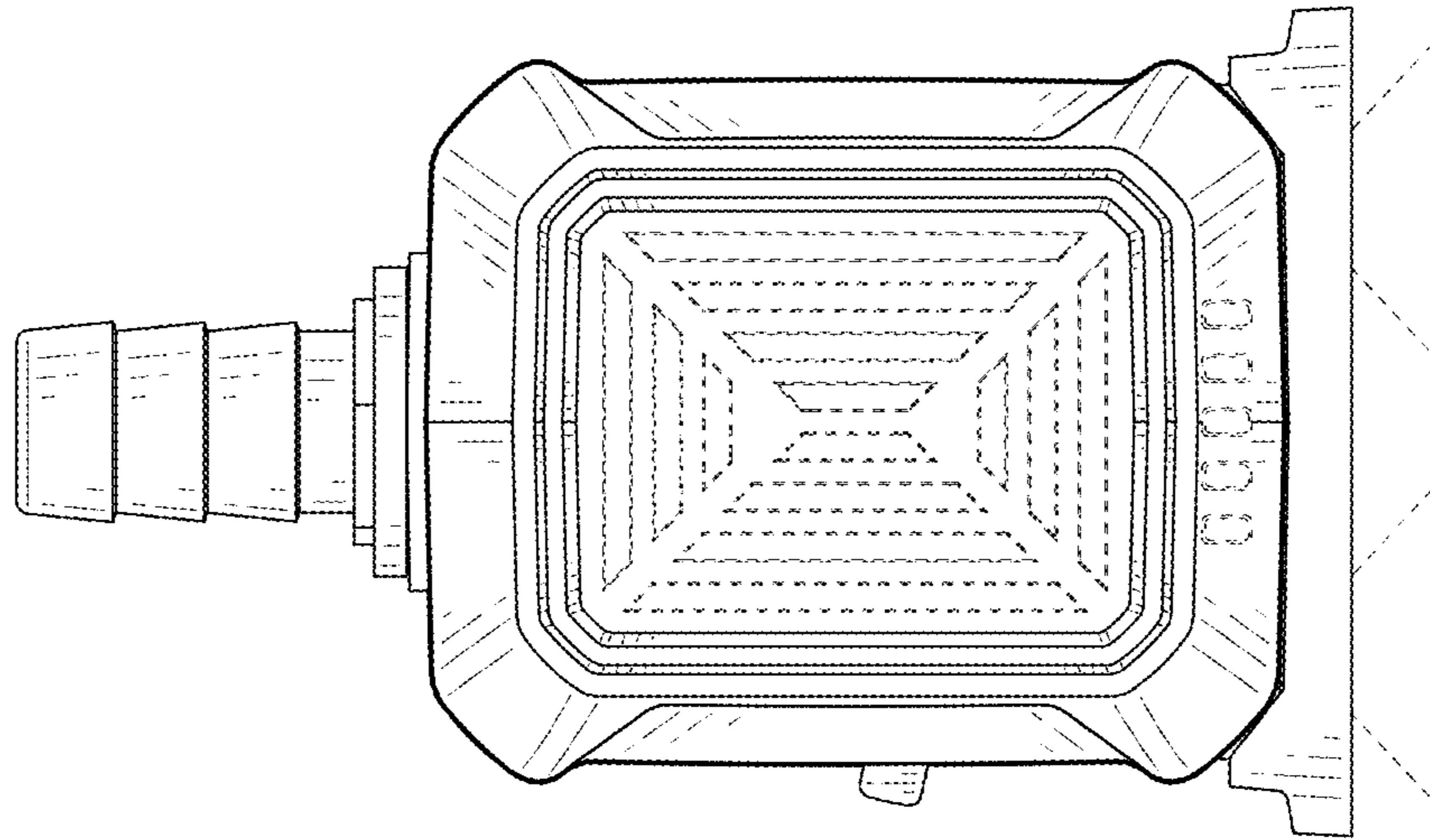


FIG. 8