



US00D891477S

(12) **United States Design Patent**  
**Fitzgerald et al.**

(10) **Patent No.:** **US D891,477 S**  
(45) **Date of Patent:** **\*\* Jul. 28, 2020**

(54) **HIGH PRESSURE FUEL PUMP ADAPTER**

(71) Applicants: **Chandler Fitzgerald**, St. George, UT (US); **Zane Koch**, St. George, UT (US)

(72) Inventors: **Chandler Fitzgerald**, St. George, UT (US); **Zane Koch**, St. George, UT (US)

(\*\*) Term: **15 Years**

(21) Appl. No.: **29/677,961**

(22) Filed: **Jan. 24, 2019**

(51) **LOC (12) Cl.** ..... **15-02**

(52) **U.S. Cl.**  
USPC ..... **D15/7**

(58) **Field of Classification Search**

USPC ..... D15/7-9; D23/231, 232, 225  
CPC ..... F04B 39/12; F04B 41/00; F04B 27/00;  
F04B 33/00; F04B 35/00; F04B 37/00;  
F04B 39/00

See application file for complete search history.

(56) **References Cited**

**U.S. PATENT DOCUMENTS**

6,017,036 A \* 1/2000 Murphy ..... F16J 15/3488  
277/358  
D695,788 S \* 12/2013 Wilkinson ..... D15/7  
D707,717 S \* 6/2014 King ..... D15/7  
D749,708 S \* 2/2016 Smith ..... D23/269  
D808,439 S \* 1/2018 Hudnall ..... D15/7

10,428,774 B2 \* 10/2019 Bandy ..... F02M 37/0017  
D875,787 S \* 2/2020 Kamio ..... D15/7  
2011/0088638 A1 \* 4/2011 Yamagata ..... F01P 5/10  
123/41.44

\* cited by examiner

*Primary Examiner* — Mitchell I. Siegel  
(74) *Attorney, Agent, or Firm* — Gurr Brande & Spendlove, PLLC; Robert A. Gurr

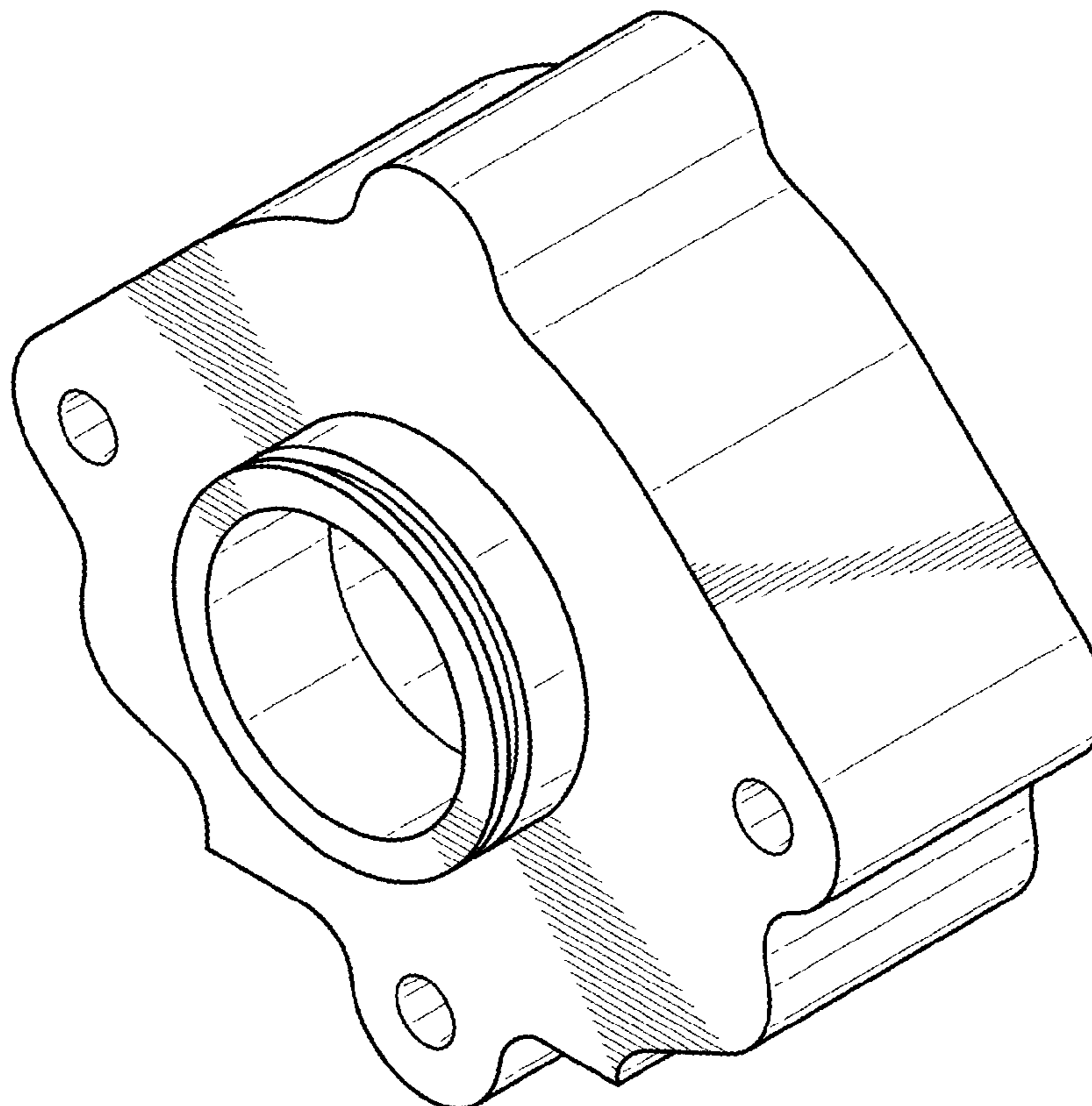
(57) **CLAIM**

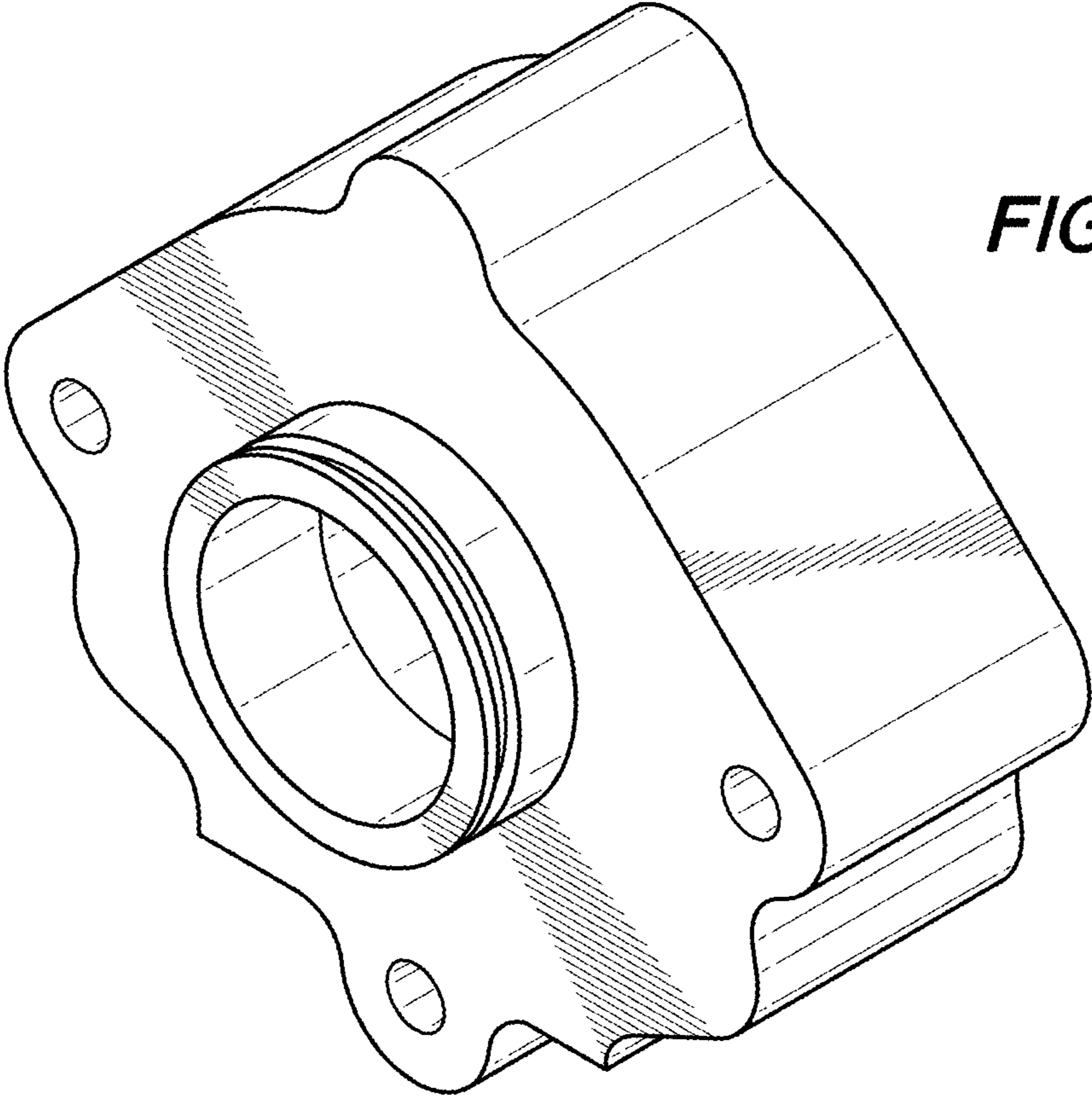
The ornamental design for a high pressure fuel pump adapter, as shown and described.

**DESCRIPTION**

FIG. 1 is a front perspective view of the high pressure fuel pump adapter;  
FIG. 2 is a rear perspective view of the high pressure fuel pump adapter;  
FIG. 3 is a front elevation view of the high pressure fuel pump adapter;  
FIG. 4 is a rear elevation view of the high pressure fuel pump adapter;  
FIG. 5 is a side elevation view of the high pressure fuel pump adapter, with the opposite side being a mirror image thereof;  
FIG. 6 is a top plan view of the high pressure fuel pump adapter; and,  
FIG. 7 is a bottom plan view of the high pressure fuel pump adapter.

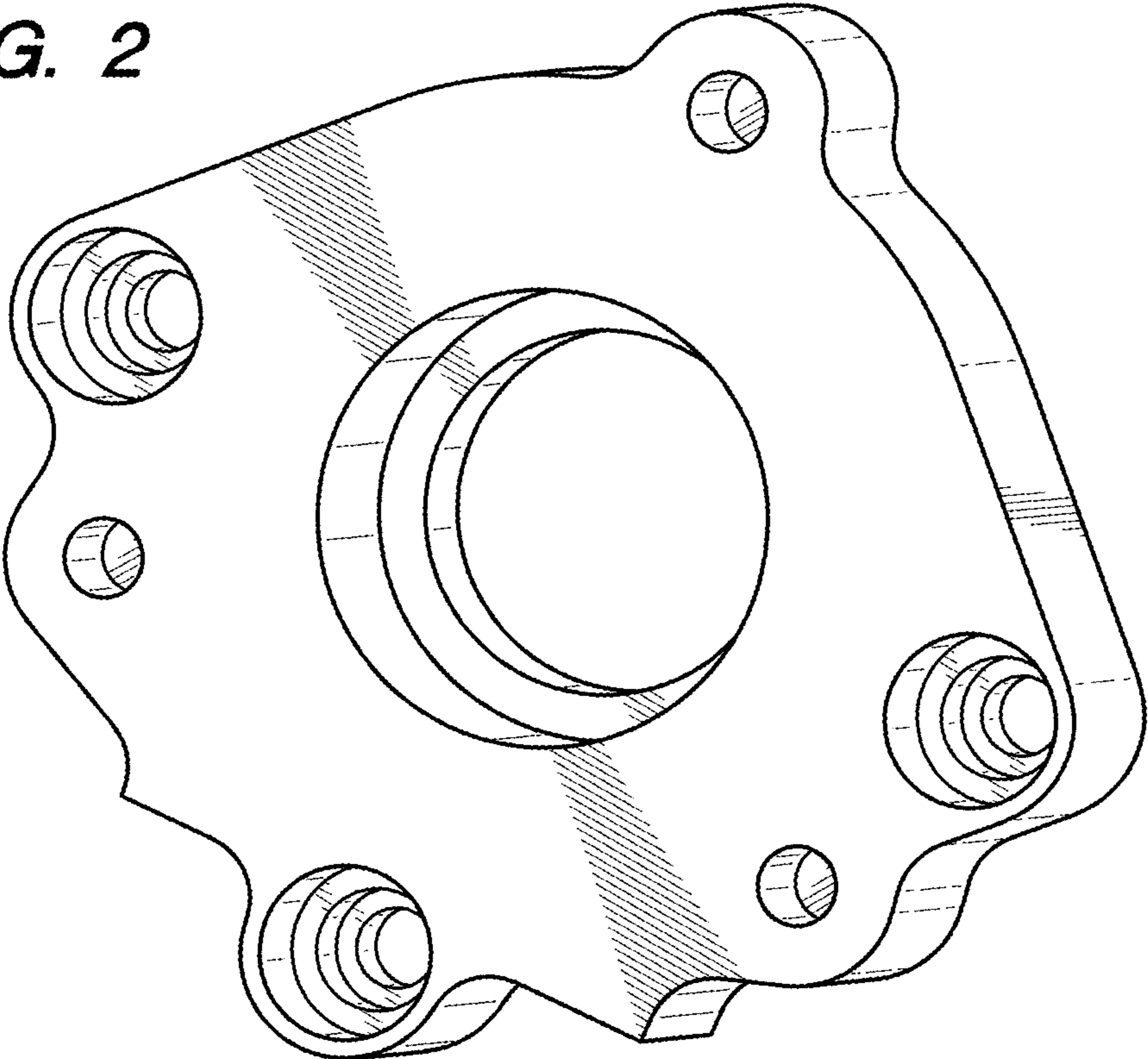
**1 Claim, 4 Drawing Sheets**



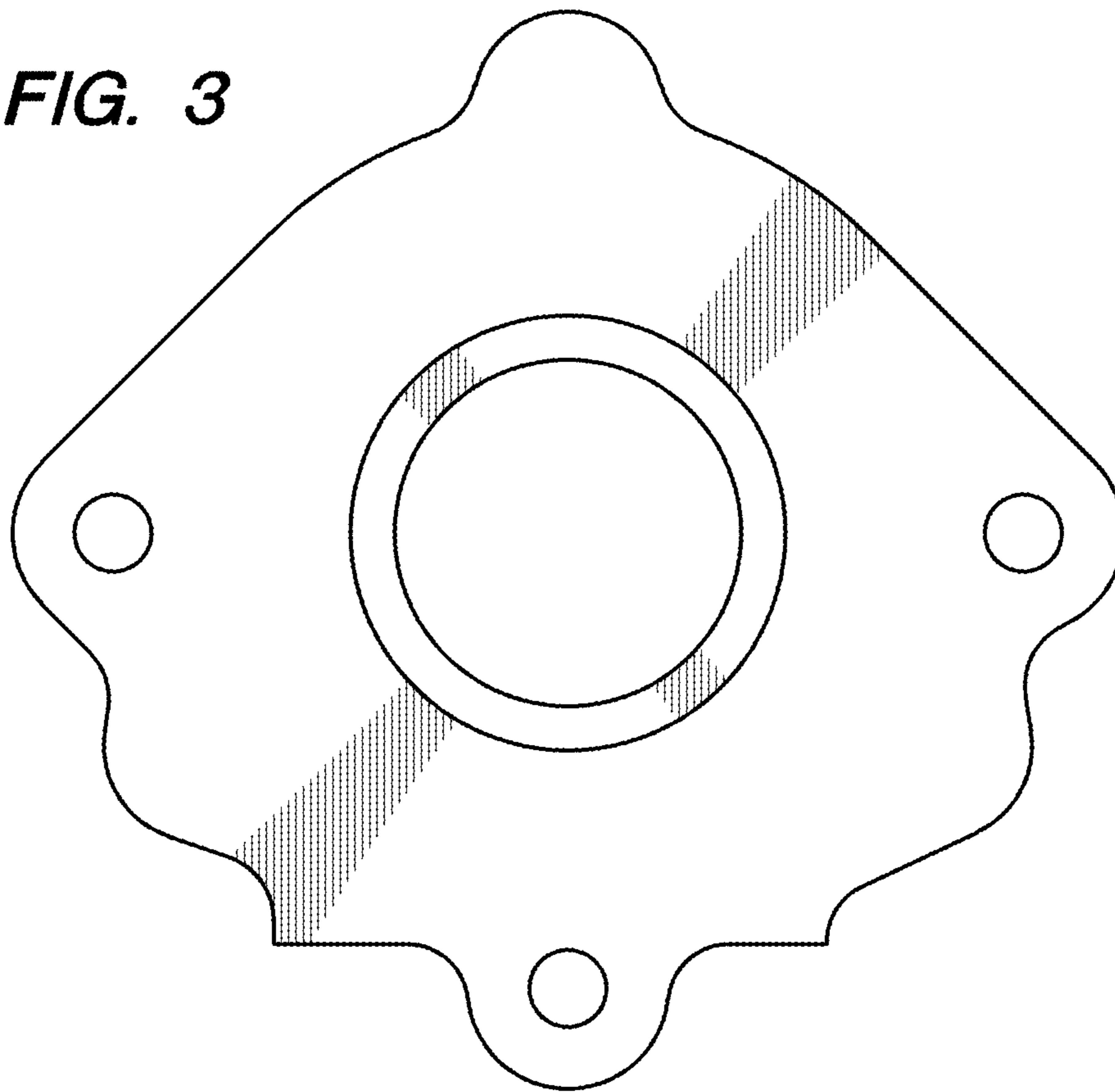


**FIG. 1**

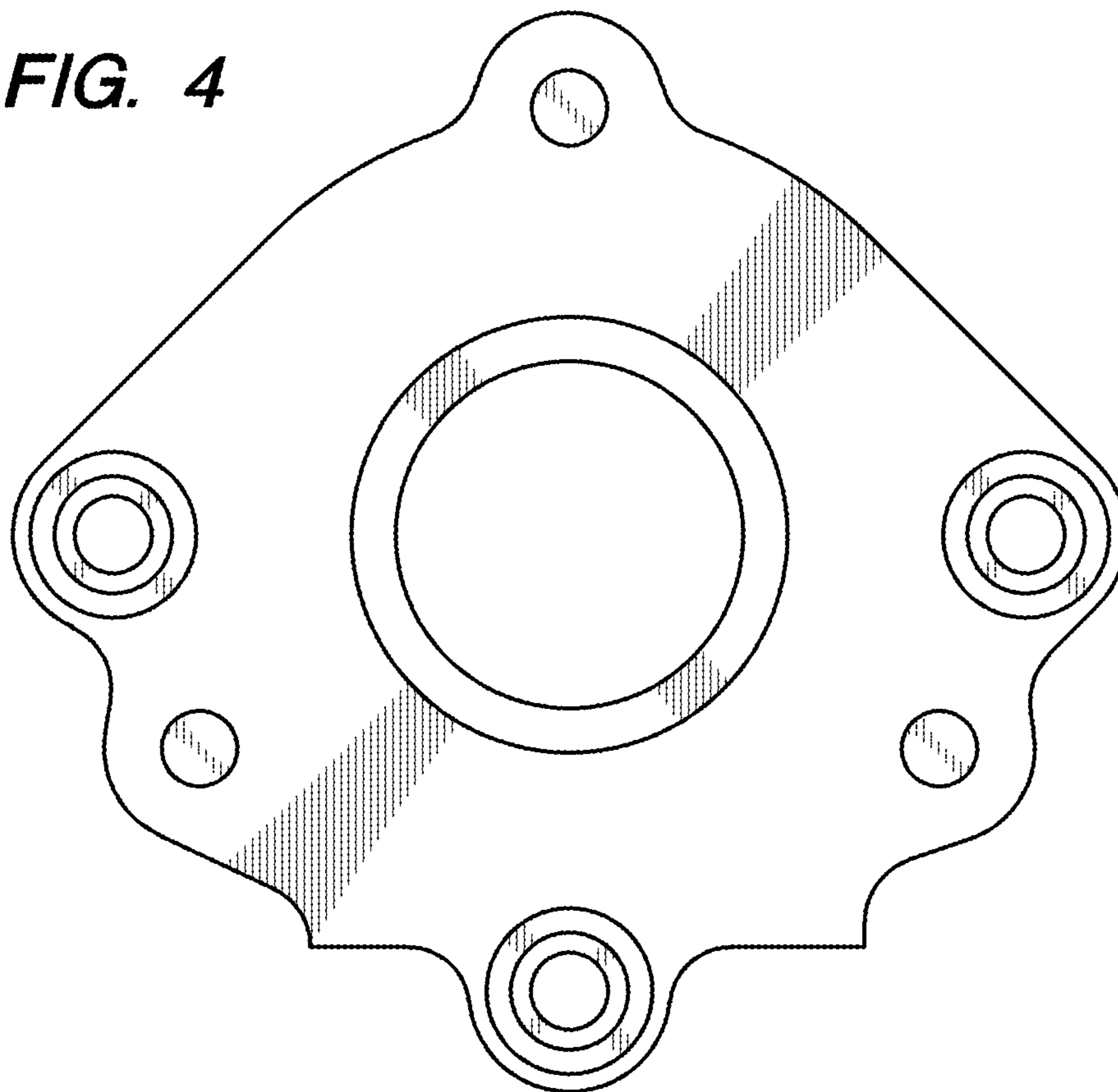
**FIG. 2**

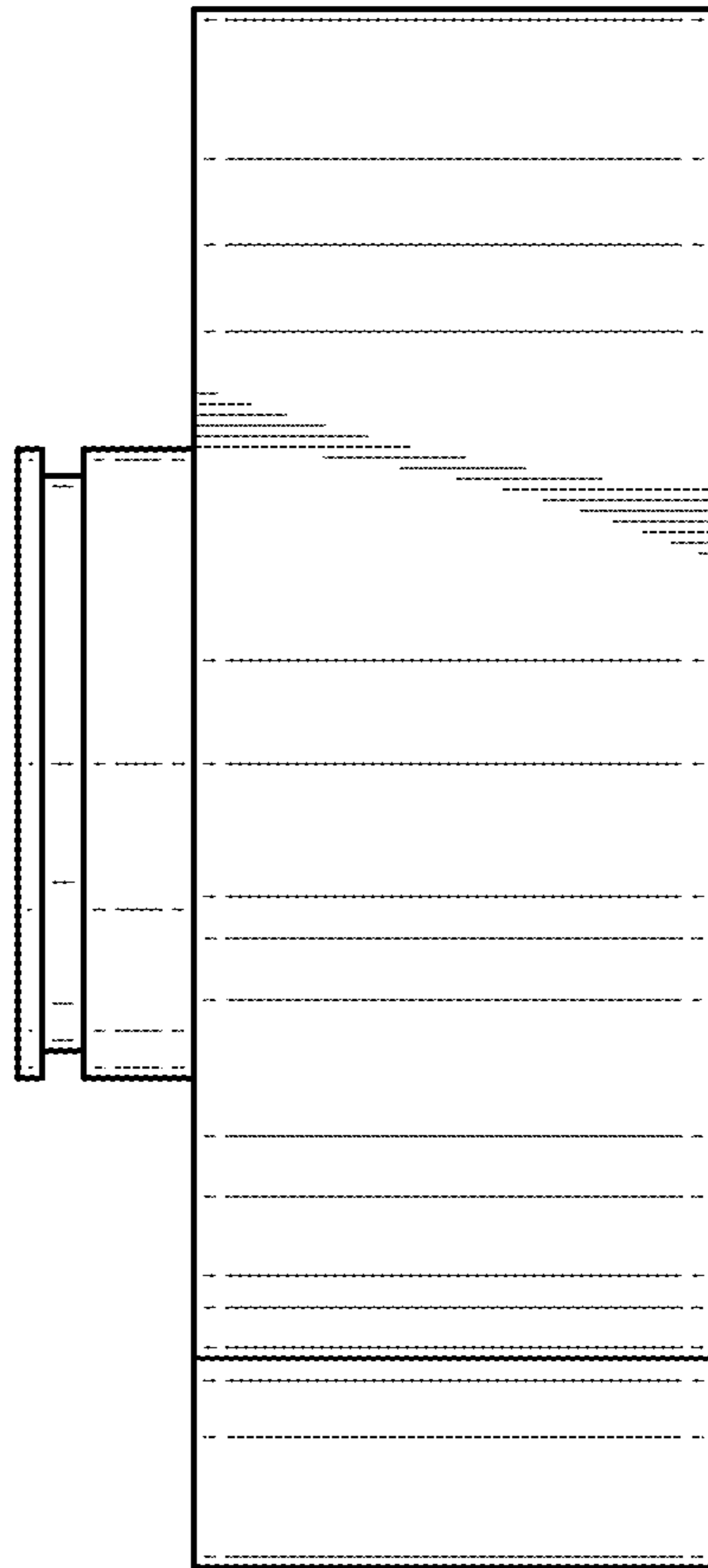


**FIG. 3**

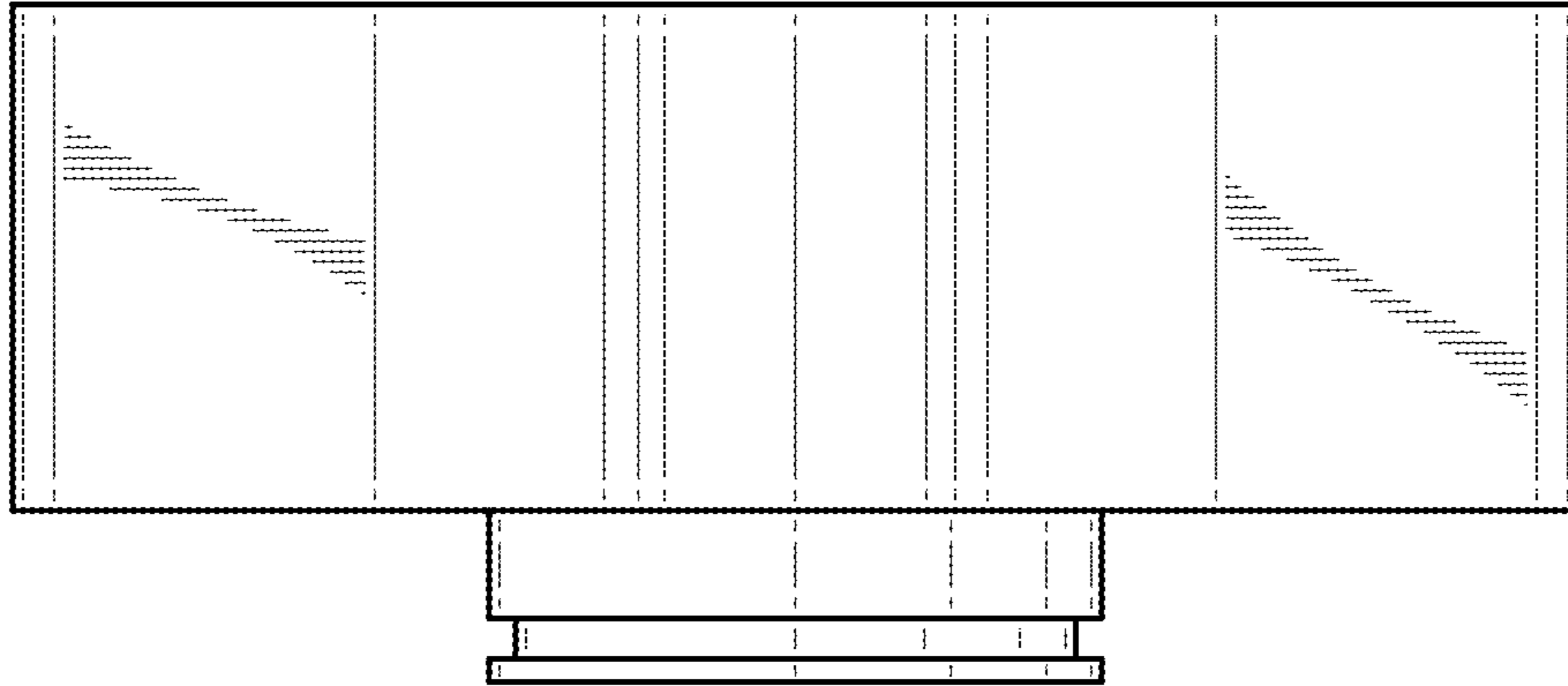


**FIG. 4**

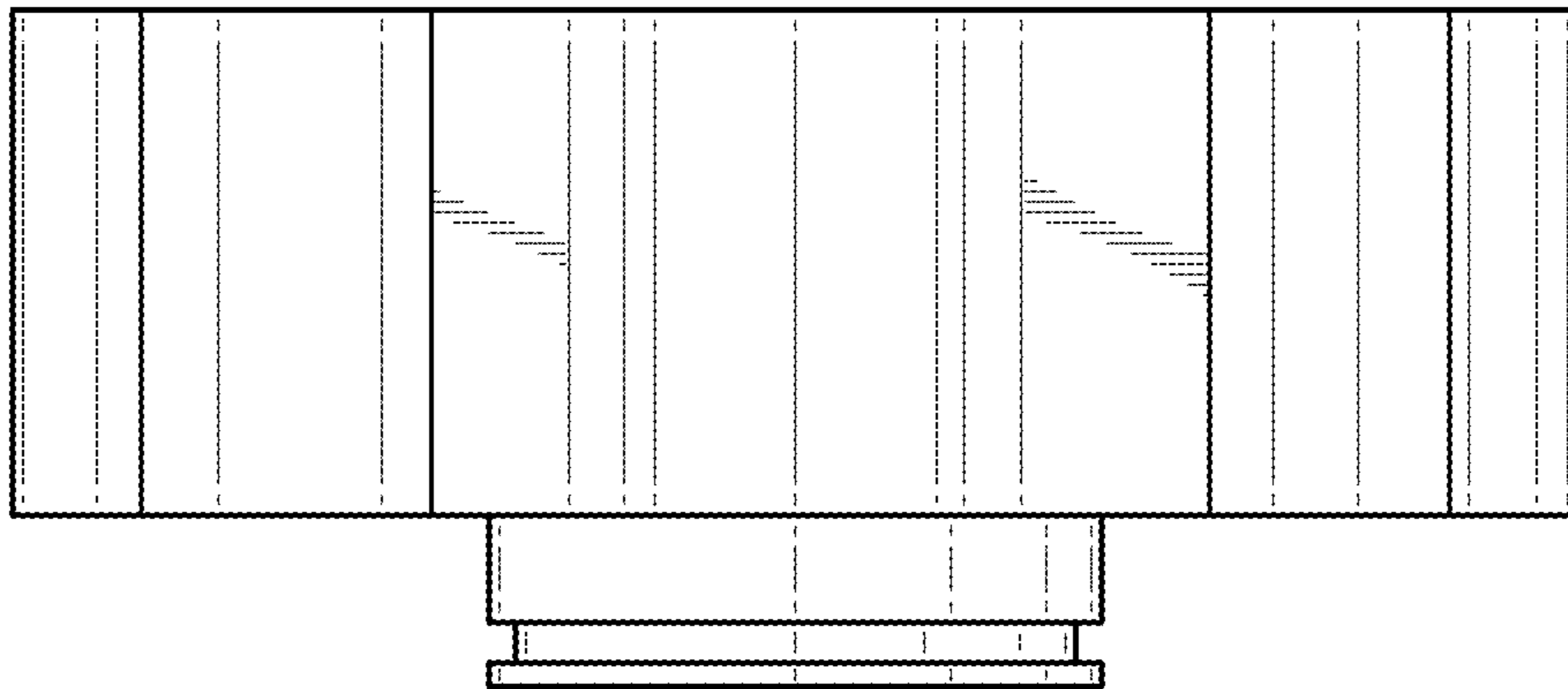




**FIG. 5**



**FIG. 6**



**FIG. 7**