



US00D891475S

(12) **United States Design Patent** (10) **Patent No.:** **US D891,475 S**
Neal et al. (45) **Date of Patent:** **** Jul. 28, 2020**

(54) **FAN CLUTCH ADAPTER**
(71) Applicant: **Neal Technologies Inc.**, Mesa, AZ (US)
(72) Inventors: **Kennieth Neal**, Mesa, AZ (US);
Douglass Gilbert, Plantation, FL (US)
(73) Assignee: **Neal Technologies, Inc.**, Mesa, AZ (US)
(**) Term: **15 Years**
(21) Appl. No.: **29/663,594**
(22) Filed: **Sep. 17, 2018**
(51) **LOC (12) Cl.** **15-01**
(52) **U.S. Cl.**
USPC **D15/5**; D8/387
(58) **Field of Classification Search**
USPC D8/382-393; D10/60; D12/172, 220;
D15/5
CPC E21B 23/01; E21B 23/06; E21B 33/128;
E21B 33/129; E21B 33/1291-1292; F16D
25/126; F16D 57/0206; F16D 61/308;
F16D 63/005; F16D 63/3093; F16B 7/18;
F16B 7/0466; F16C 11/06; F16G 11/12;
Y10T 403/299; Y10T 403/32204; Y10T
403/32491
See application file for complete search history.

(56) **References Cited**
U.S. PATENT DOCUMENTS
D34,836 S * 7/1901 Barnes D8/397
D243,510 S * 3/1977 Shirey D23/316
D243,582 S * 3/1977 Shirey D23/316
D363,767 S * 10/1995 Swaim D23/260
5,762,671 A * 6/1998 Farrow B01D 35/306
55/496
D397,413 S * 8/1998 Sapp D23/262
5,788,440 A * 8/1998 Andronica F16B 37/125
248/58

5,957,147 A * 9/1999 Hubbell, Jr. F16L 35/00
137/15.18
D452,343 S * 12/2001 Pan D26/138
D464,253 S * 10/2002 Nimberger D10/60
(Continued)

OTHER PUBLICATIONS

Left Lane Diesels, How to: 6.0 Water Pump and 7.3 Fan Clutch Conversion!! [online], [site visited Apr. 15, 2020]. YouTube, URL: <www.youtube.com/watch?v=H_7qyFFJ2mU> (Mar. 25, 2019) (Year: 2019).*

(Continued)

Primary Examiner — Sheryl Lane
Assistant Examiner — Mark T Philipps
(74) *Attorney, Agent, or Firm* — Hartman Titus PLC;
John D. Titus

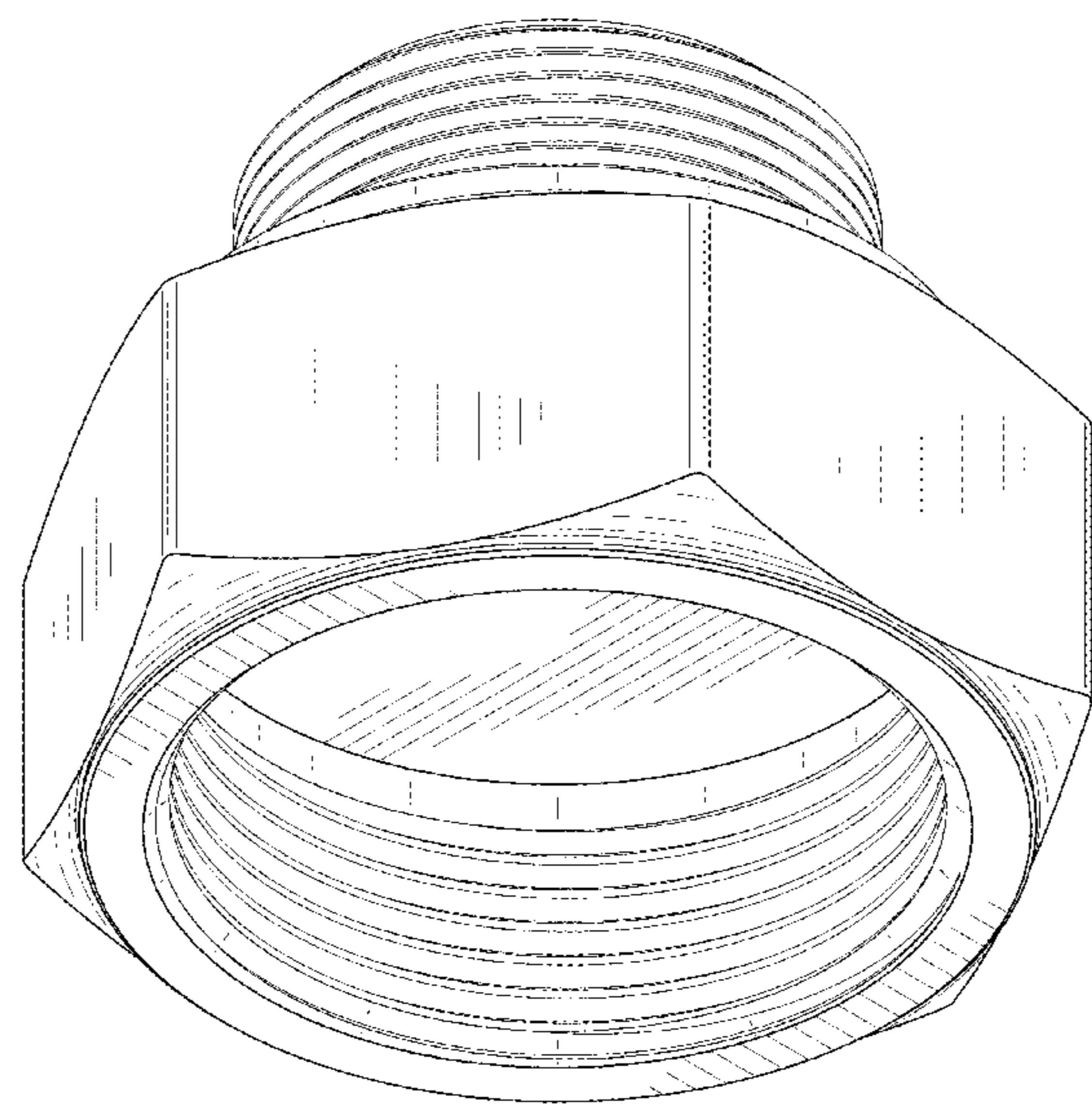
(57) **CLAIM**

The ornamental design for a fan clutch adapter, as shown.

DESCRIPTION

FIG. 1 is a top perspective view of a fan clutch adapter showing an embodiment of our new design;
FIG. 2 is a bottom perspective view of the fan clutch adapter shown in FIG. 1;
FIG. 3 is a top view of the fan clutch adapter shown in FIG. 1;
FIG. 4 is a bottom view of the fan clutch adapter shown in FIG. 1;
FIG. 5 is a front-side view of the fan clutch adapter shown in FIG. 1;
FIG. 6 is a back-side view of the fan clutch adapter shown in FIG. 1;
FIG. 7 is a left-side view of the fan clutch adapter shown in FIG. 1; and,
FIG. 8 is a right-side view of the fan clutch adapter shown in FIG. 1.

1 Claim, 8 Drawing Sheets



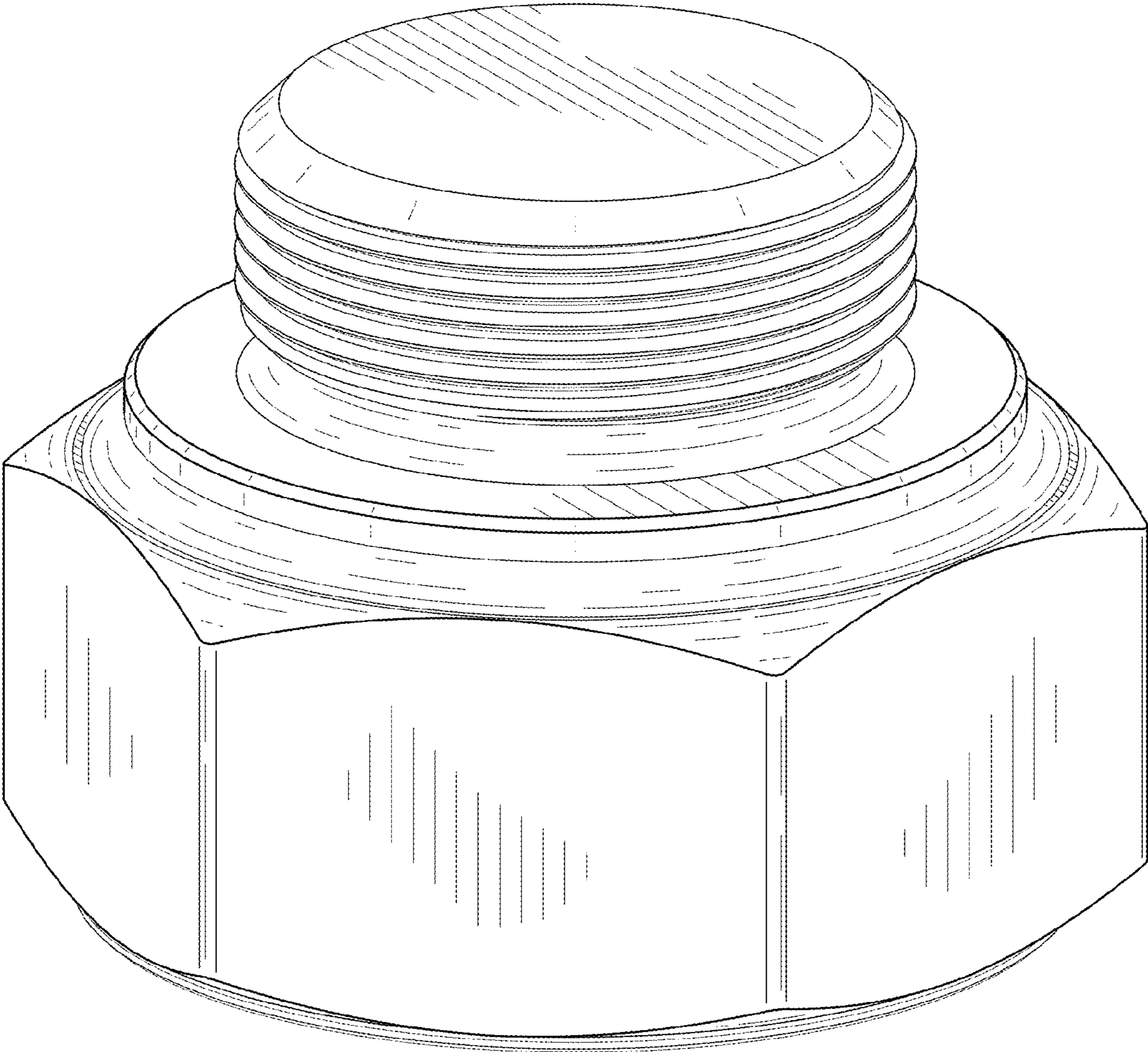


FIG. 1

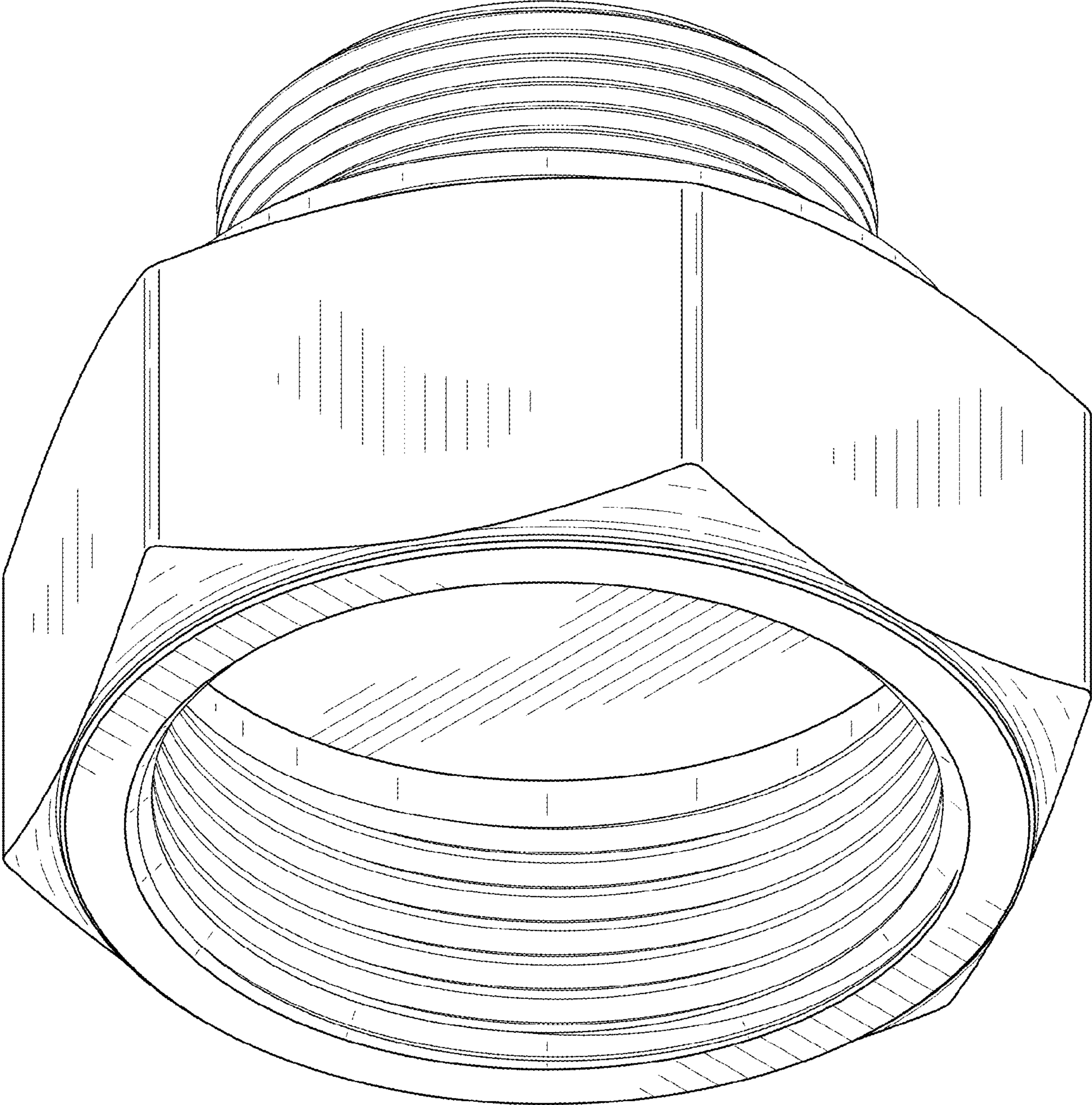


FIG. 2

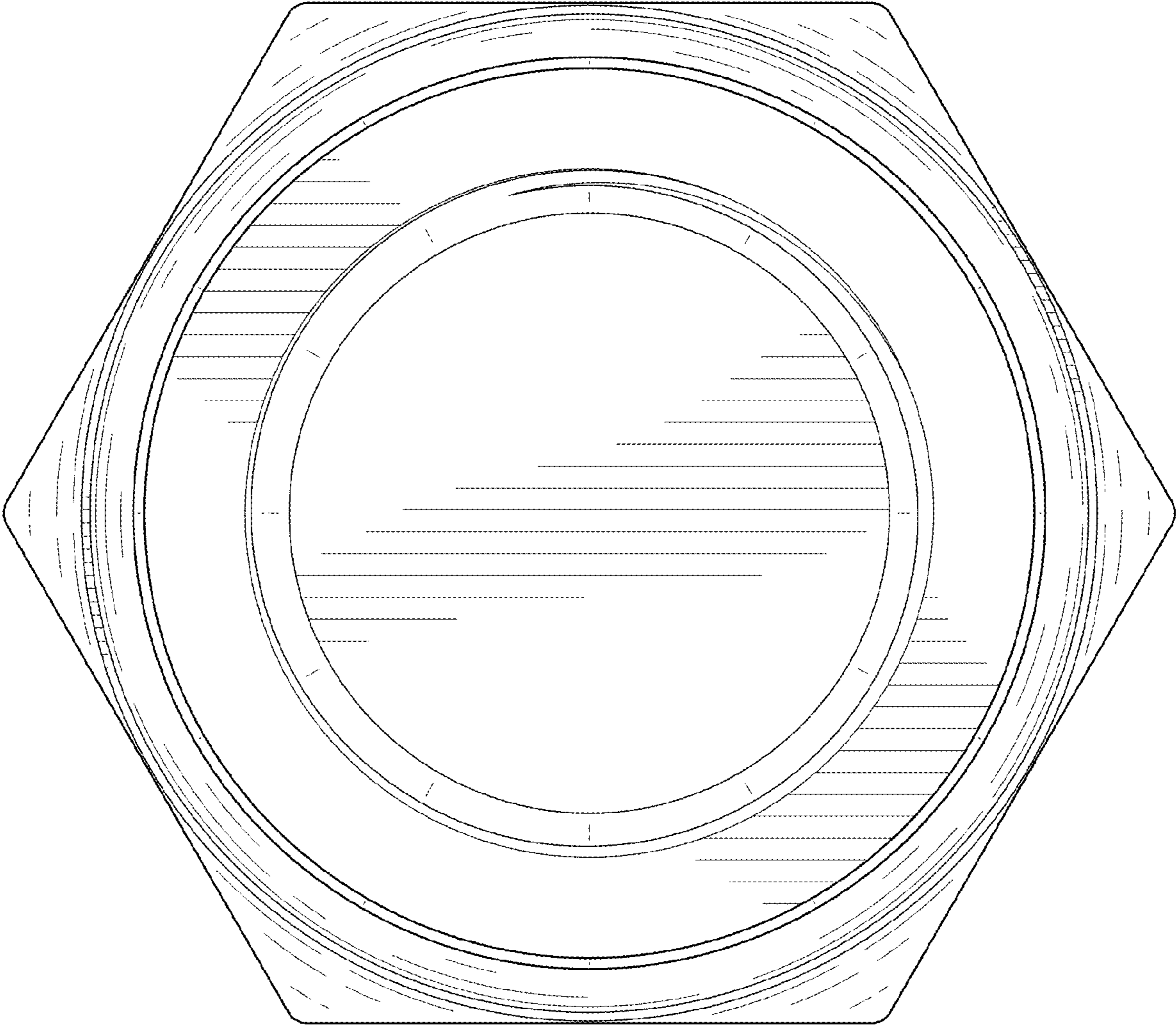


FIG. 3

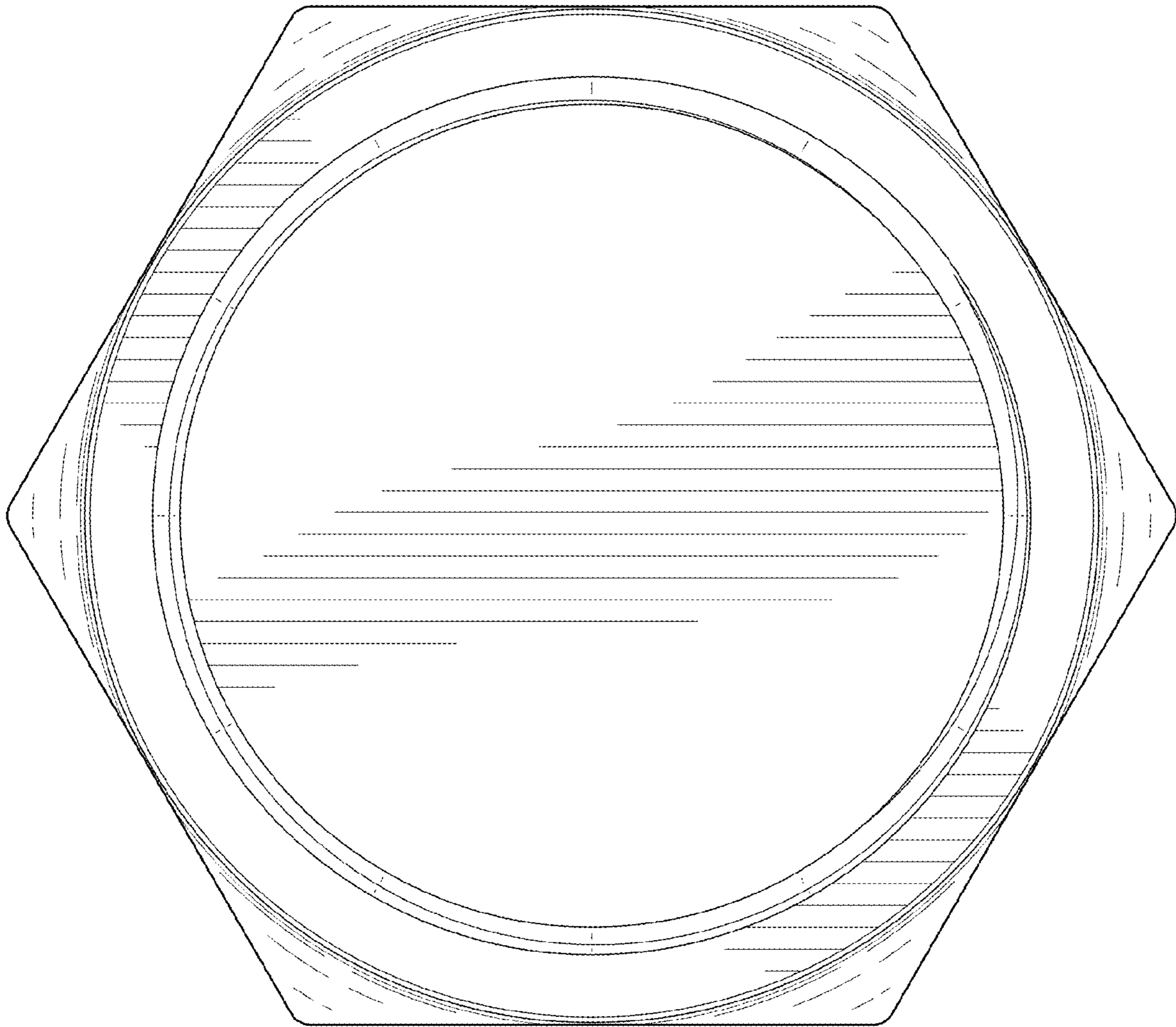


FIG. 4

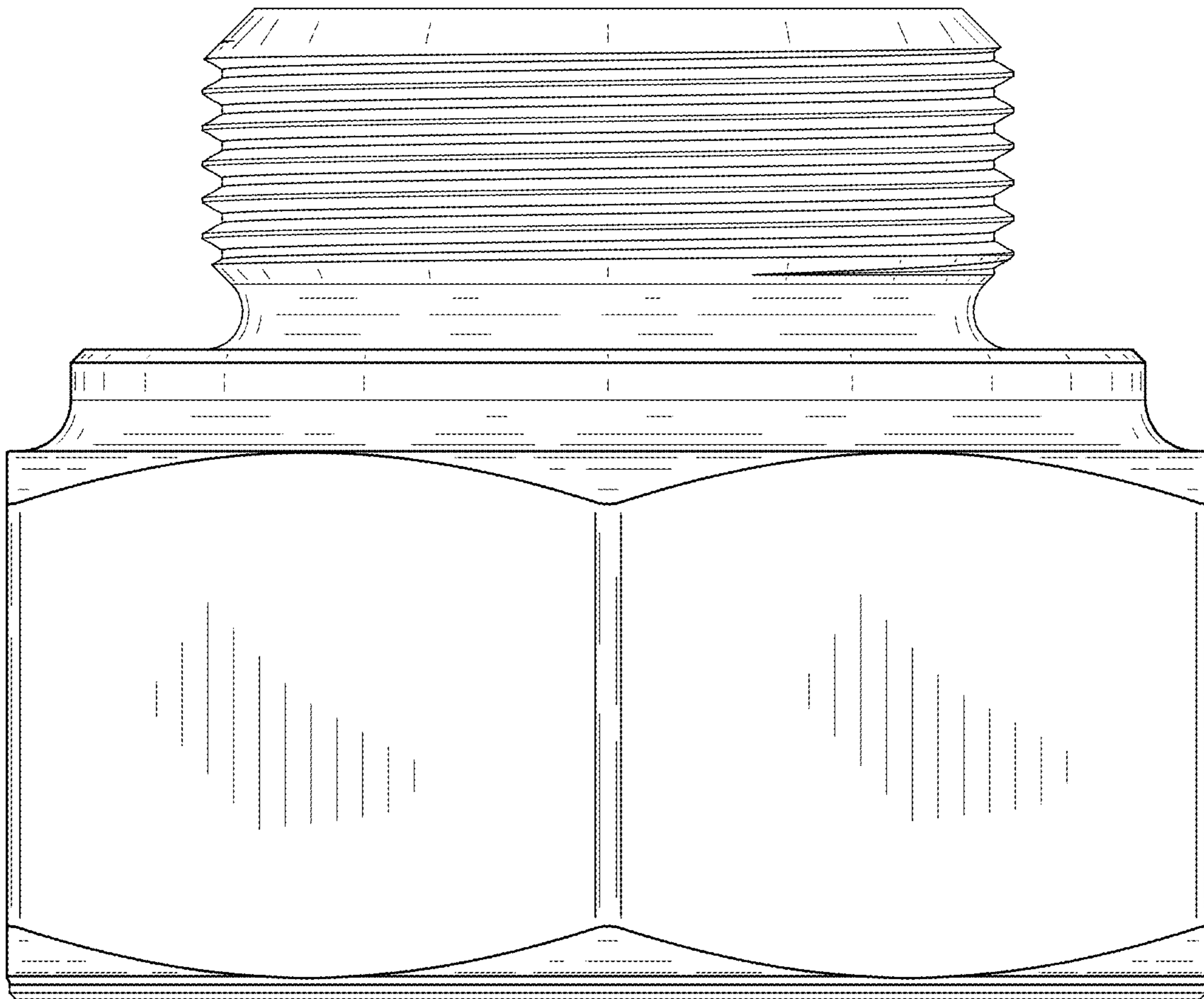


FIG. 5

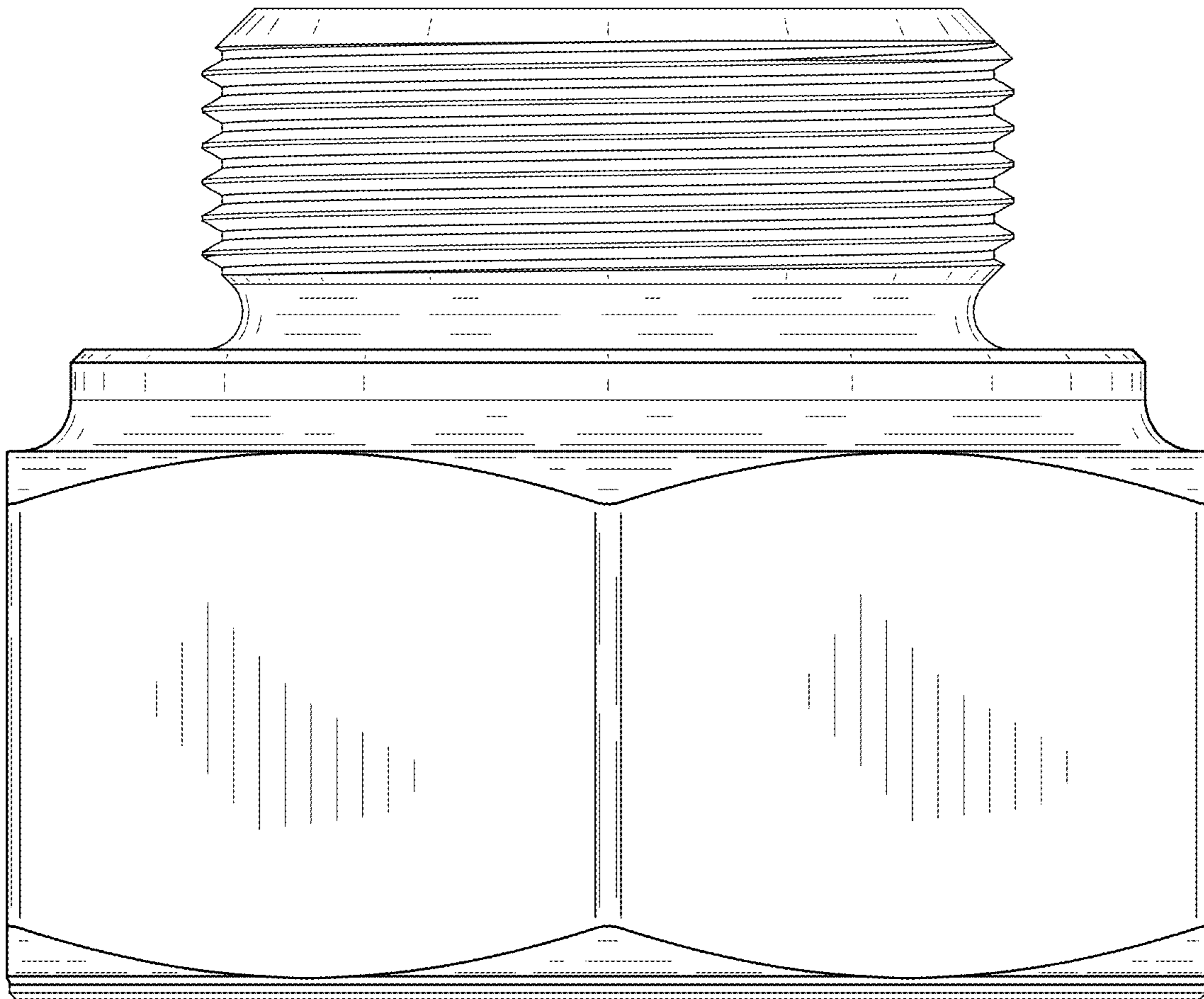


FIG. 6

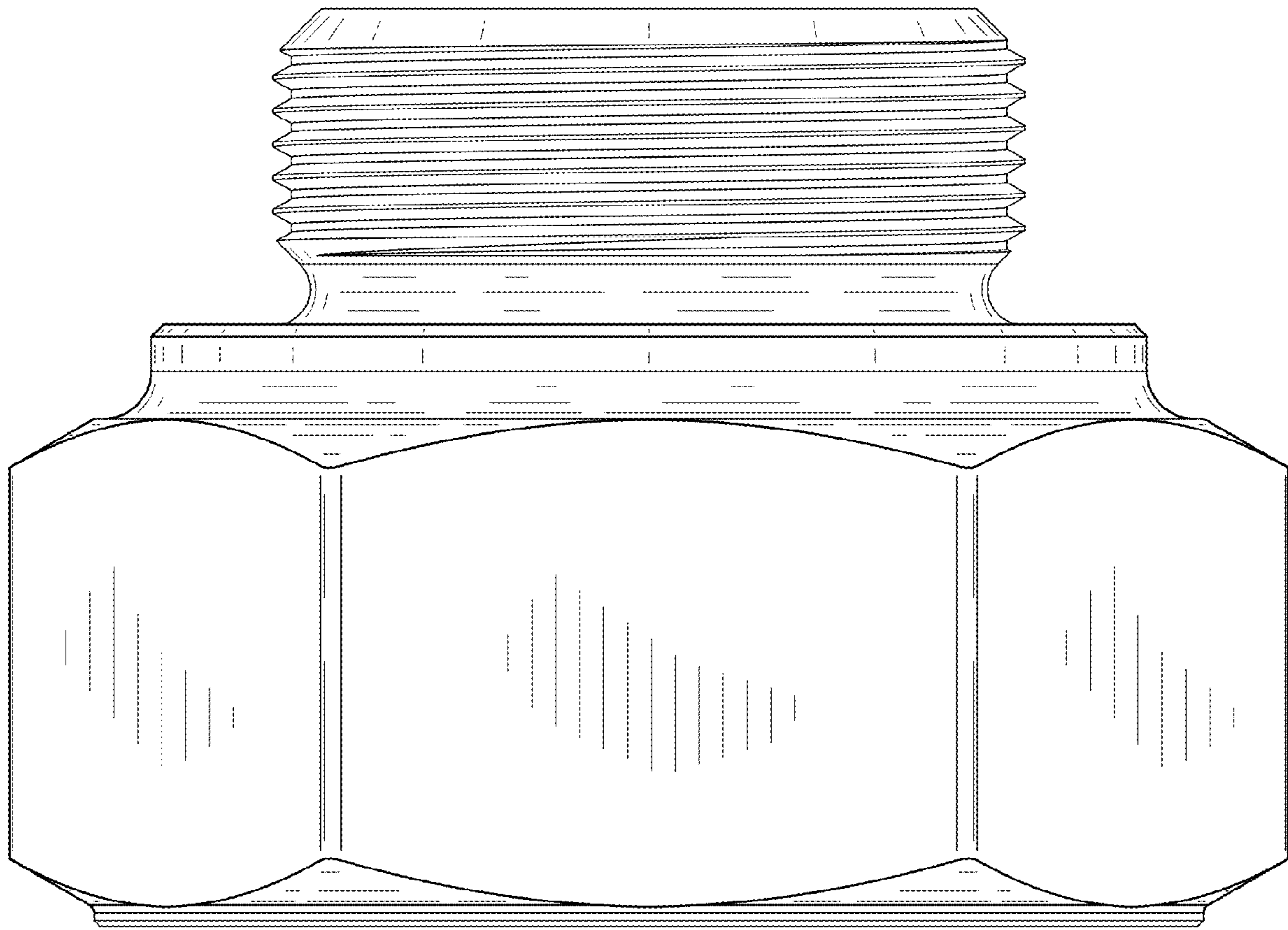


FIG. 7

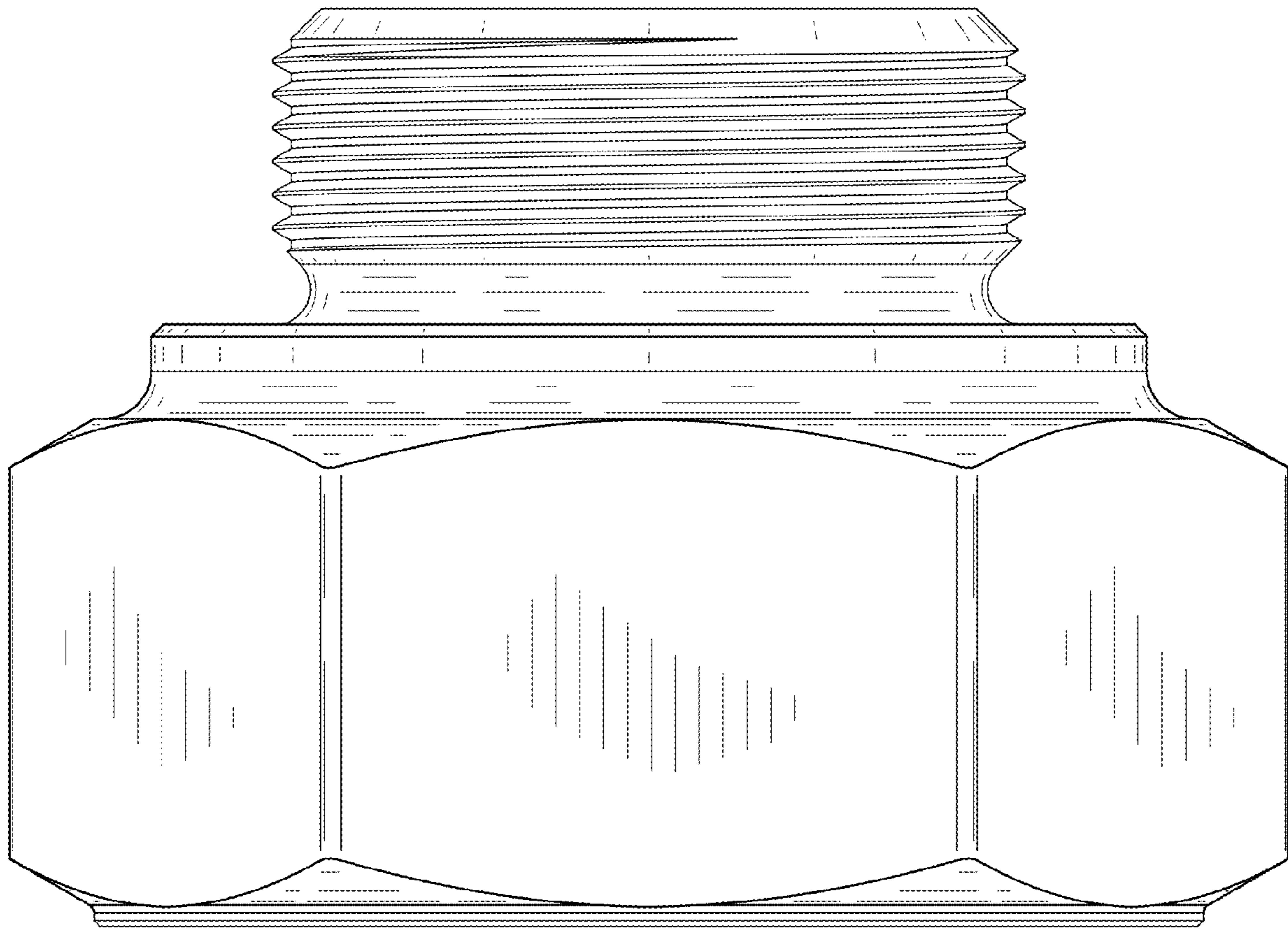


FIG. 8