



US00D891474S

(12) **United States Design Patent**
Chan

(10) **Patent No.:** **US D891,474 S**
(45) **Date of Patent:** **** Jul. 28, 2020**

(54) **MOTOR HOUSING**
(71) Applicant: **H. S. MACHINERY CO., LTD.**, New Taipei (TW)
(72) Inventor: **Tzu Sang Chan**, New Taipei (TW)
(73) Assignee: **H. S. MACHINERY CO., LTD.**, New Taipei (TW)
(**) Term: **15 Years**
(21) Appl. No.: **29/657,568**
(22) Filed: **Jul. 24, 2018**

8,922,076 B2 * 12/2014 Hsieh H02K 5/128
310/43
9,071,094 B2 * 6/2015 Gasser H02K 5/161
D849,055 S * 5/2019 Kneip D15/5
D853,445 S * 7/2019 Kuratani D15/1
2018/0287451 A1 * 10/2018 Wang H02K 1/17
2019/0089233 A1 * 3/2019 Nagy H02K 15/14

* cited by examiner

Primary Examiner — T Chase Nelson
Assistant Examiner — Ania Aman

(74) *Attorney, Agent, or Firm* — Ware, Fressola, Maguire & Barber LLP

(30) **Foreign Application Priority Data**

Jan. 25, 2018 (TW) 107300482

(51) **LOC (12) Cl.** **15-01**

(52) **U.S. Cl.**
USPC **D15/5**

(58) **Field of Classification Search**

USPC D15/5, 4, 66-78, 1; D13/112, 113, 114,
D13/122, 123, 199, 184
CPC H02K 15/14; B60K 7/0007; B60K
200/0092; B60L 15/2009; Y02T 10/72;
Y02T 10/7275

See application file for complete search history.

(56) **References Cited**

U.S. PATENT DOCUMENTS

5,661,357 A * 8/1997 Iijima H01R 39/38
310/239
6,040,647 A * 3/2000 Brown H02K 1/185
29/596

(57) **CLAIM**

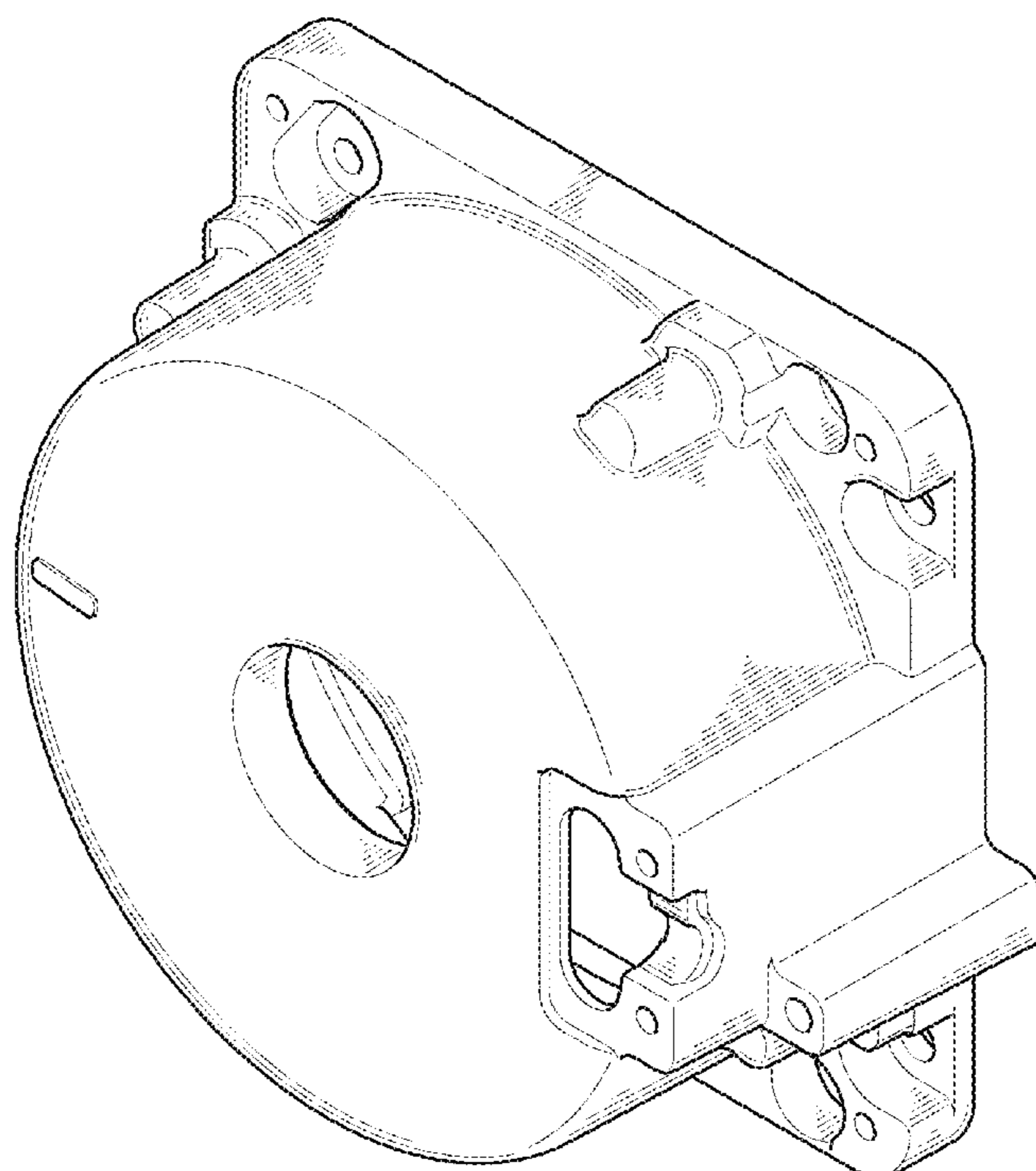
The ornamental design for a motor housing, as shown and described.

DESCRIPTION

FIG. 1 is a perspective view showing my new design for a motor housing;
FIG. 2 is a front elevation view thereof;
FIG. 3 is a rear elevation view thereof;
FIG. 4 is a left side elevation view thereof;
FIG. 5 is a right side elevation view thereof;
FIG. 6 is a top plan view thereof;
FIG. 7 is a bottom plan view thereof; and,
FIG. 8 is a perspective view thereof showing the device in another side.

The broken lines in FIG. 3 show portions of a motor housing that form no part of the claimed design.

1 Claim, 8 Drawing Sheets



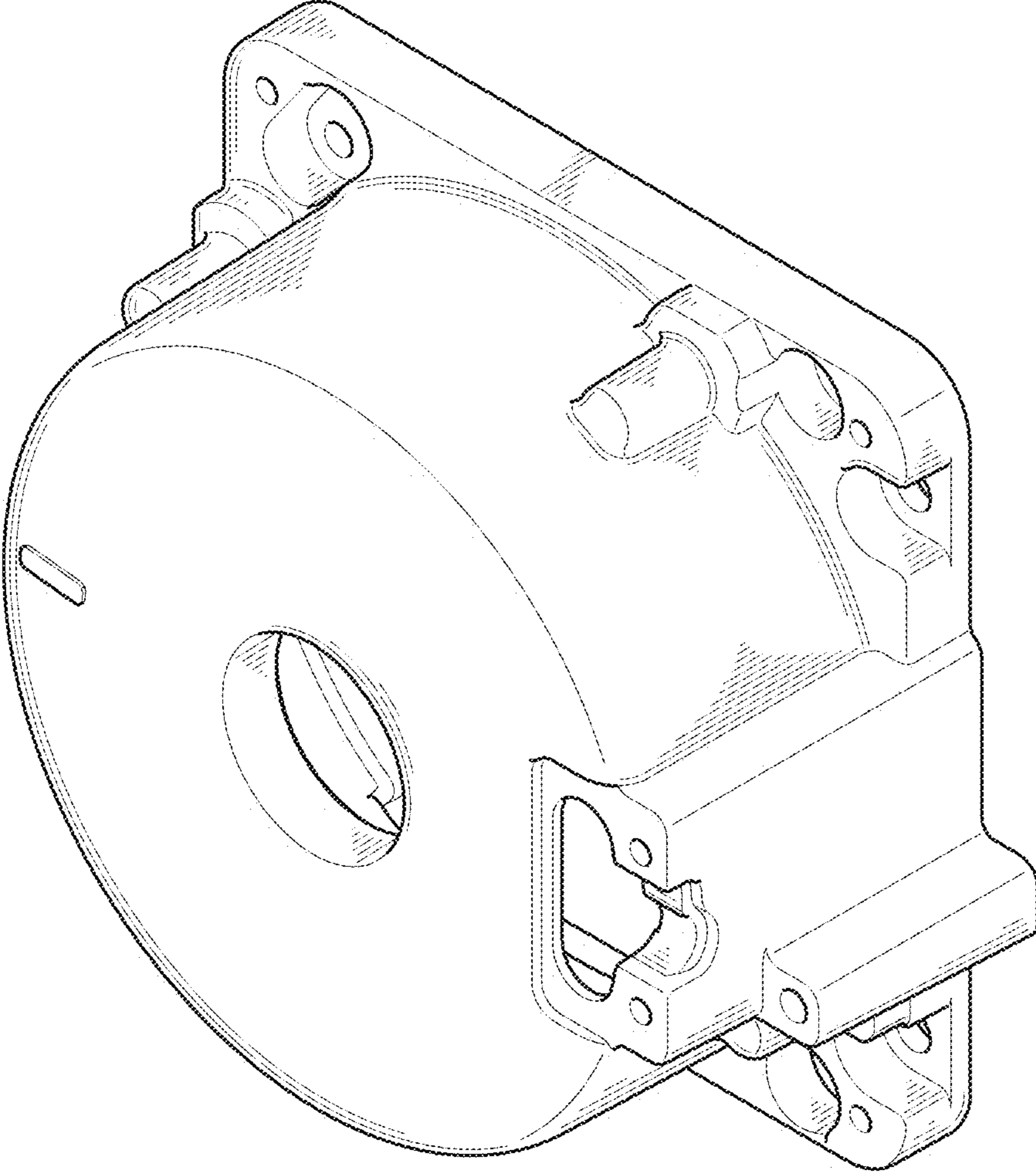


FIG.1

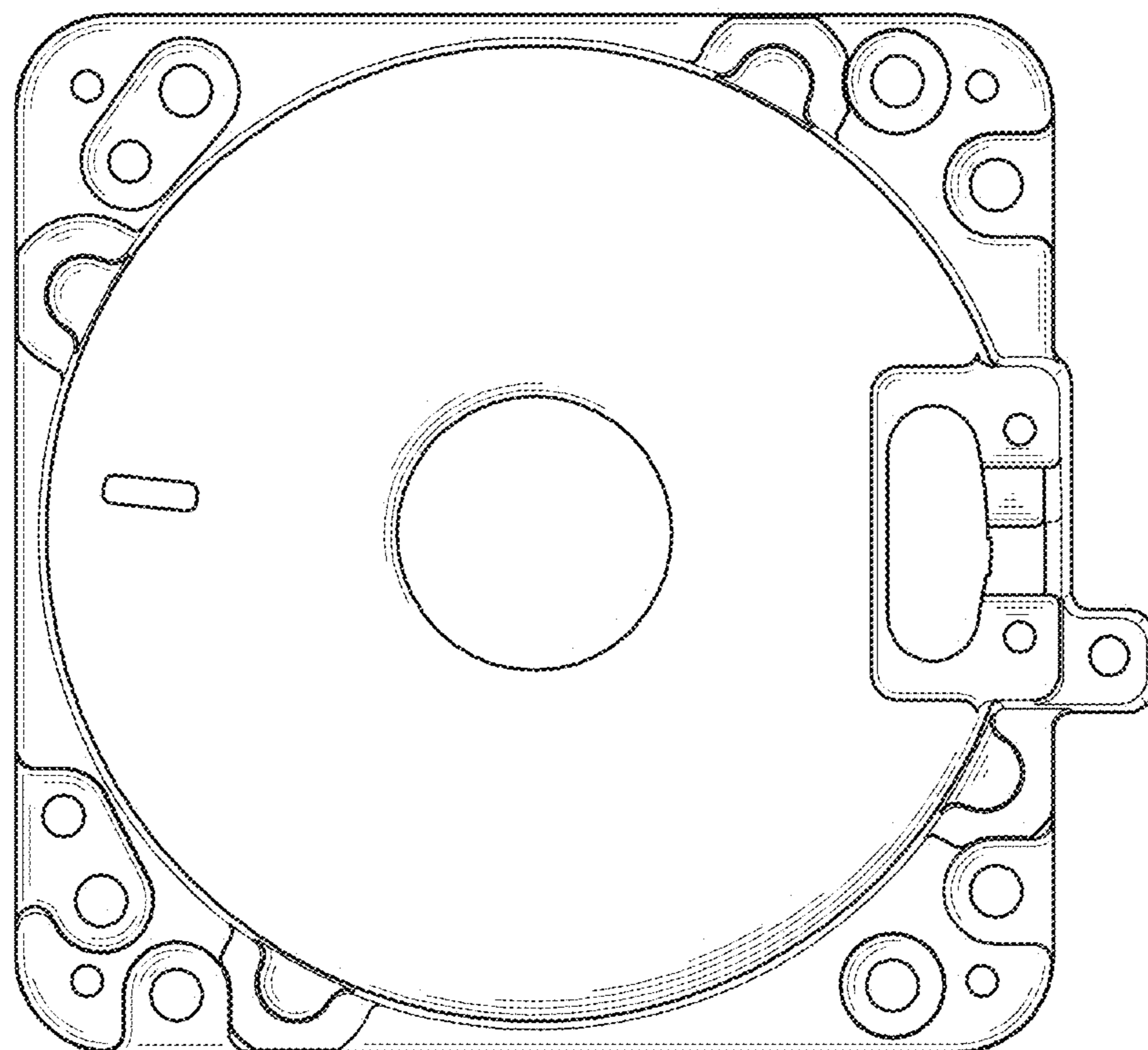


FIG.2

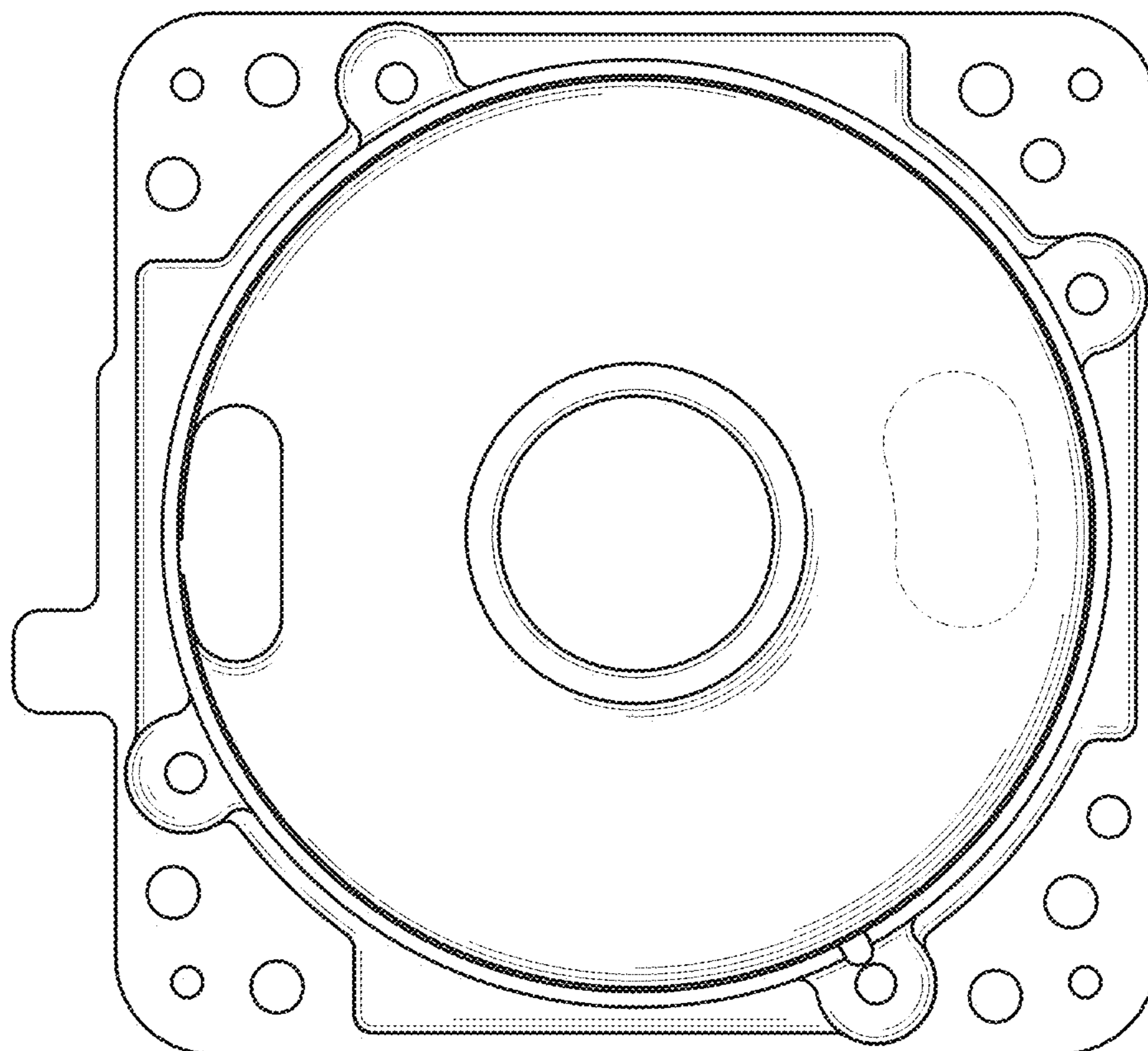


FIG.3

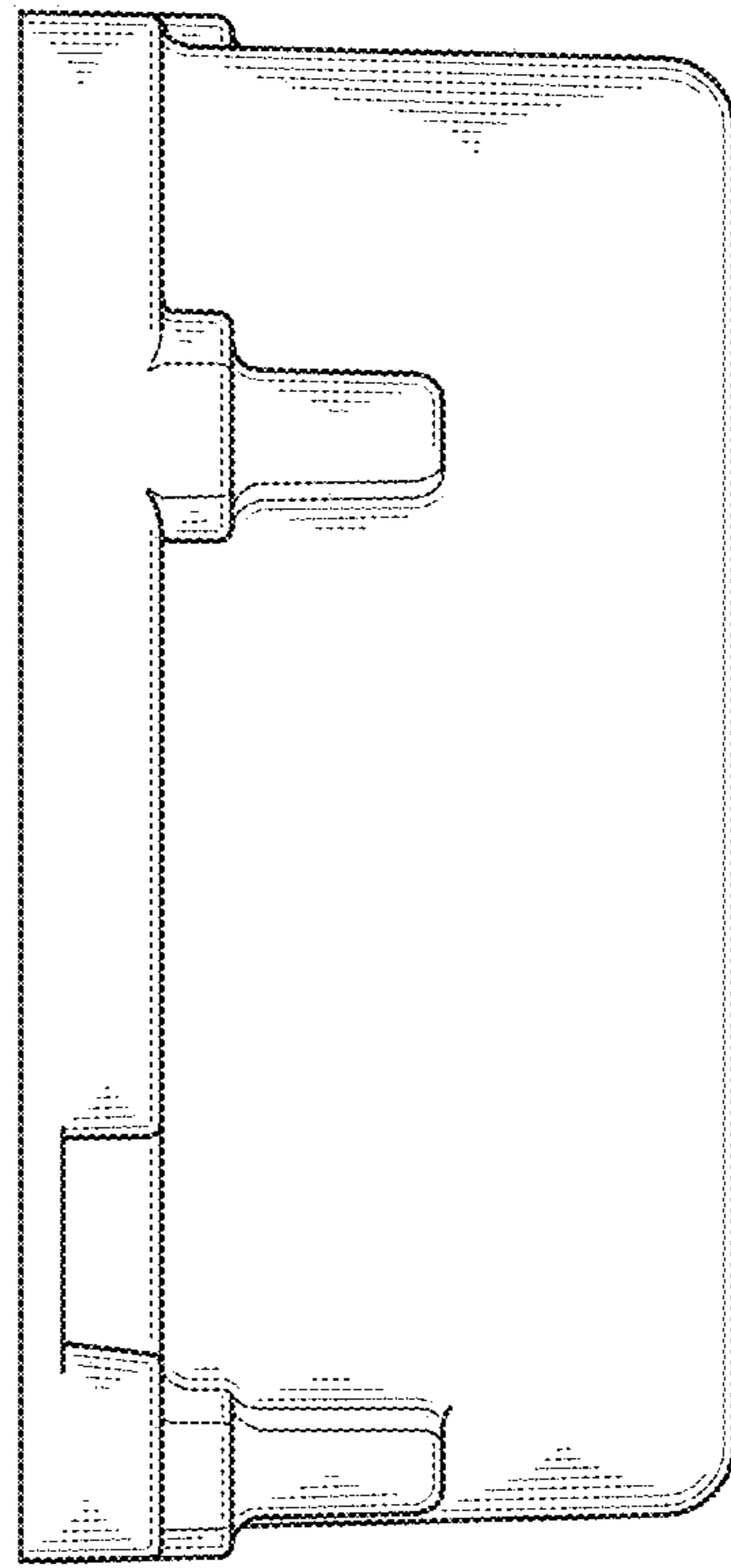


FIG.4

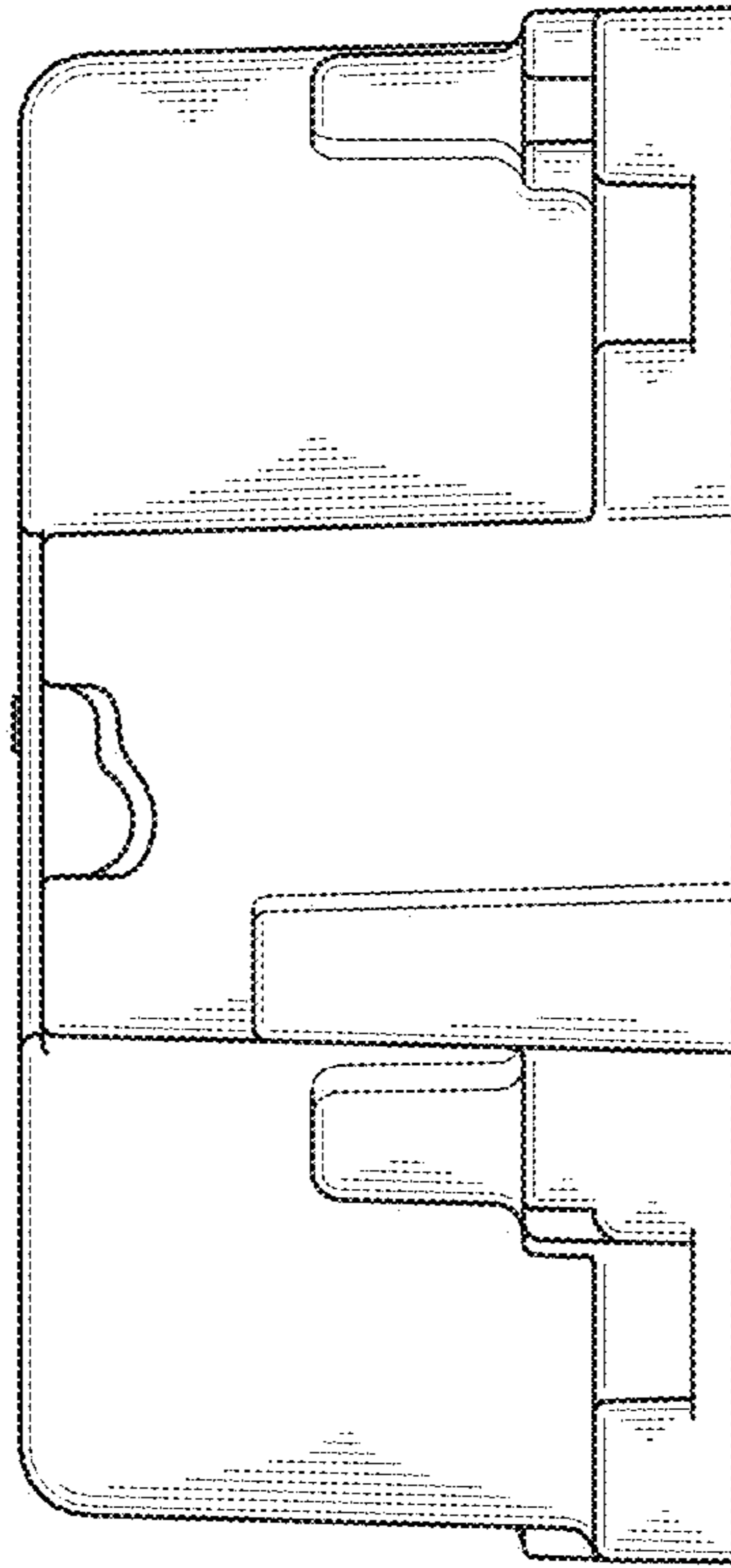


FIG.5

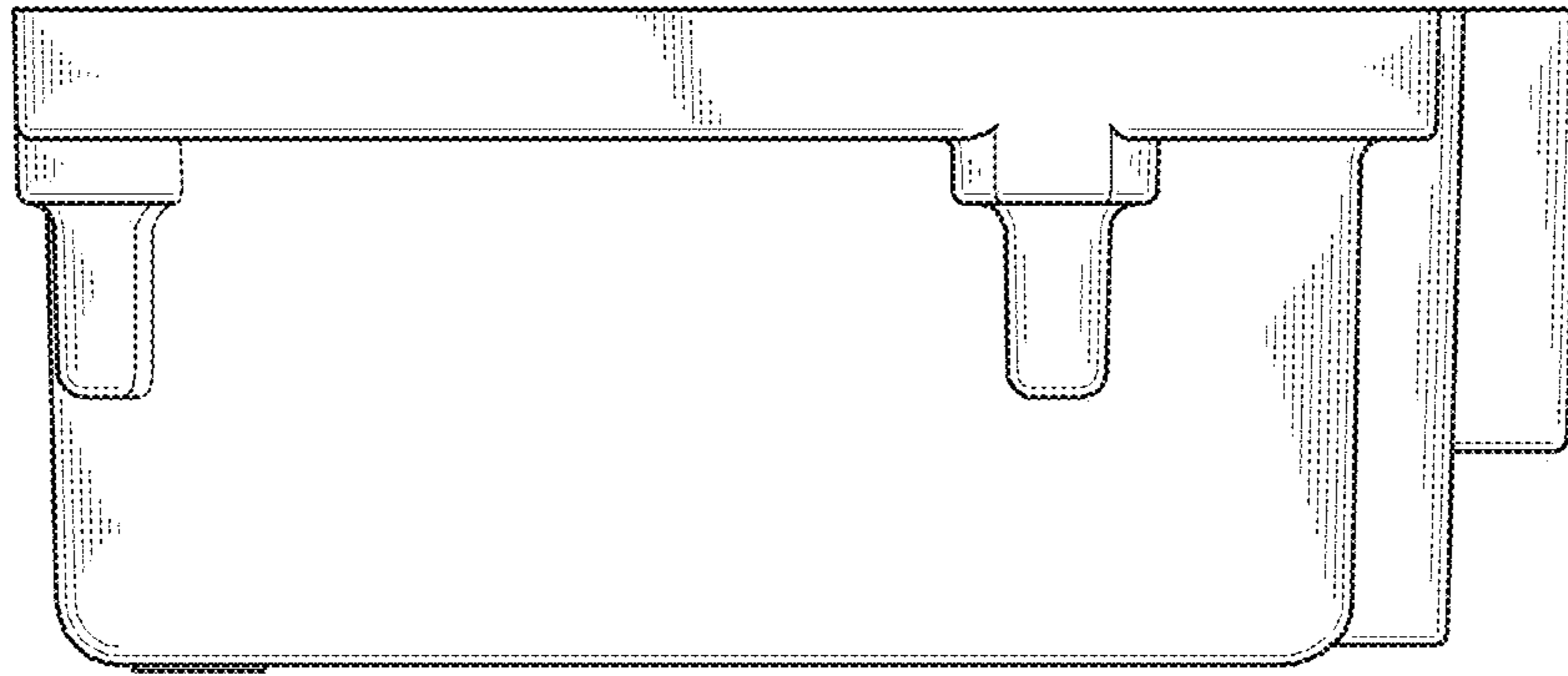


FIG.6

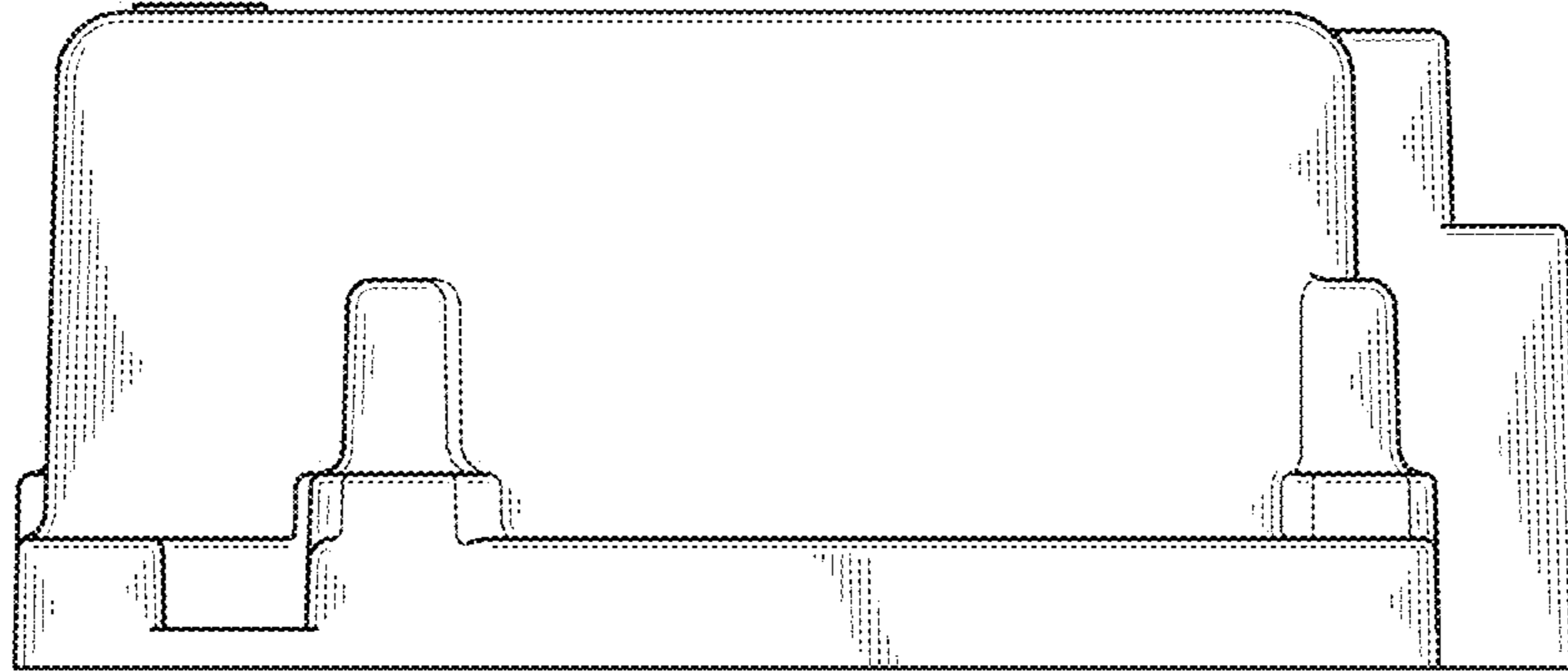


FIG. 7

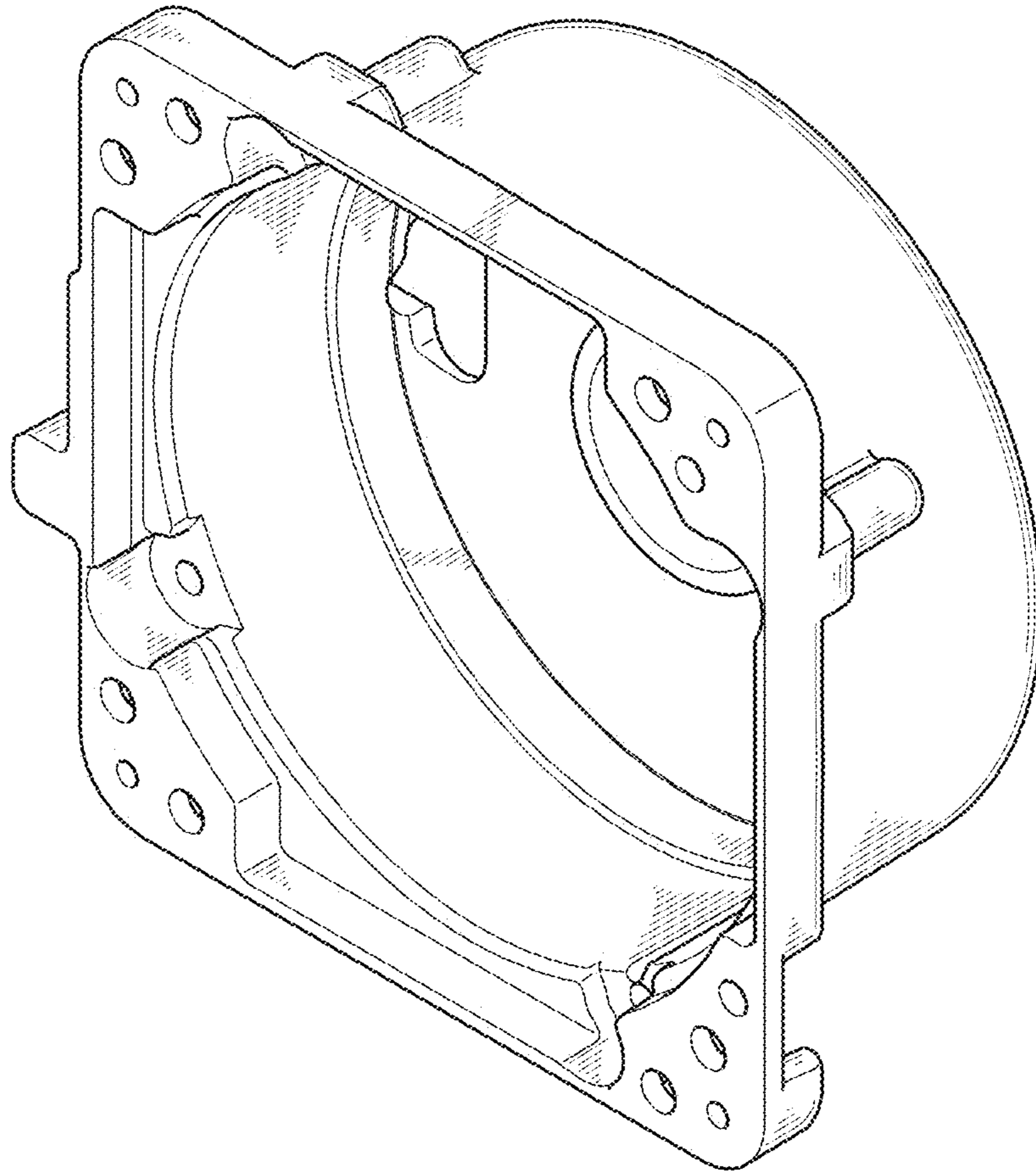


FIG.8