



US00D891473S

(12) **United States Design Patent** (10) **Patent No.:** **US D891,473 S**  
**Winterskov** (45) **Date of Patent:** **\*\* Jul. 28, 2020**

(54) **SHIELD FOR CONTAINING AND DISTRIBUTING TURBOJET ENGINE COMBUSTION EXHAUST**

6,408,843 B1 \* 6/2002 Olson ..... A01M 21/04  
126/271.1

2003/0091950 A1 5/2003 Pijper  
2005/0279293 A1 12/2005 Vaughan

(Continued)

(71) Applicant: **Bo Winterskov**, Nyborg (DK)

(72) Inventor: **Bo Winterskov**, Nyborg (DK)

(\*\*) Term: **15 Years**

(21) Appl. No.: **29/595,303**

(22) Filed: **Feb. 27, 2017**

FOREIGN PATENT DOCUMENTS

CN 2053133 U 2/1990  
CN 2198072 Y 5/1995

(Continued)

OTHER PUBLICATIONS

Search Report, Application No. 201180025152.1, State Intellectual Property Office of Peoples Republic of China, 2 pages.

(Continued)

**Related U.S. Application Data**

(63) Continuation-in-part of application No. 14/258,230, filed on Apr. 22, 2014, now abandoned.

(51) **LOC (12) Cl.** ..... **15-01**

(52) **U.S. Cl.**  
USPC ..... **D15/5**

(58) **Field of Classification Search**  
USPC ..... D15/5, 6, 7, 8, 11, 13, 17, 28; D23/371,  
D23/372

CPC .... A01M 21/04; A01M 21/00; A01M 21/043;  
B08B 3/024

See application file for complete search history.

*Primary Examiner* — T Chase Nelson

*Assistant Examiner* — Ania Aman

(74) *Attorney, Agent, or Firm* — Ware, Fressola, Maguire & Barber LLP

(57) **CLAIM**

I claim the ornamental design for a shield for containing and distributing turbojet engine combustion exhaust, as shown and described.

**DESCRIPTION**

FIG. 1 is a perspective view of a shield for containing and distributing turbojet combustion exhaust showing my new design;

FIG. 2 is a right side view thereof;

FIG. 3 is a left side view thereof;

FIG. 4 is a front view thereof;

FIG. 5 is a rear view thereof;

FIG. 6 is a top view thereof; and,

FIG. 7 is a bottom view thereof.

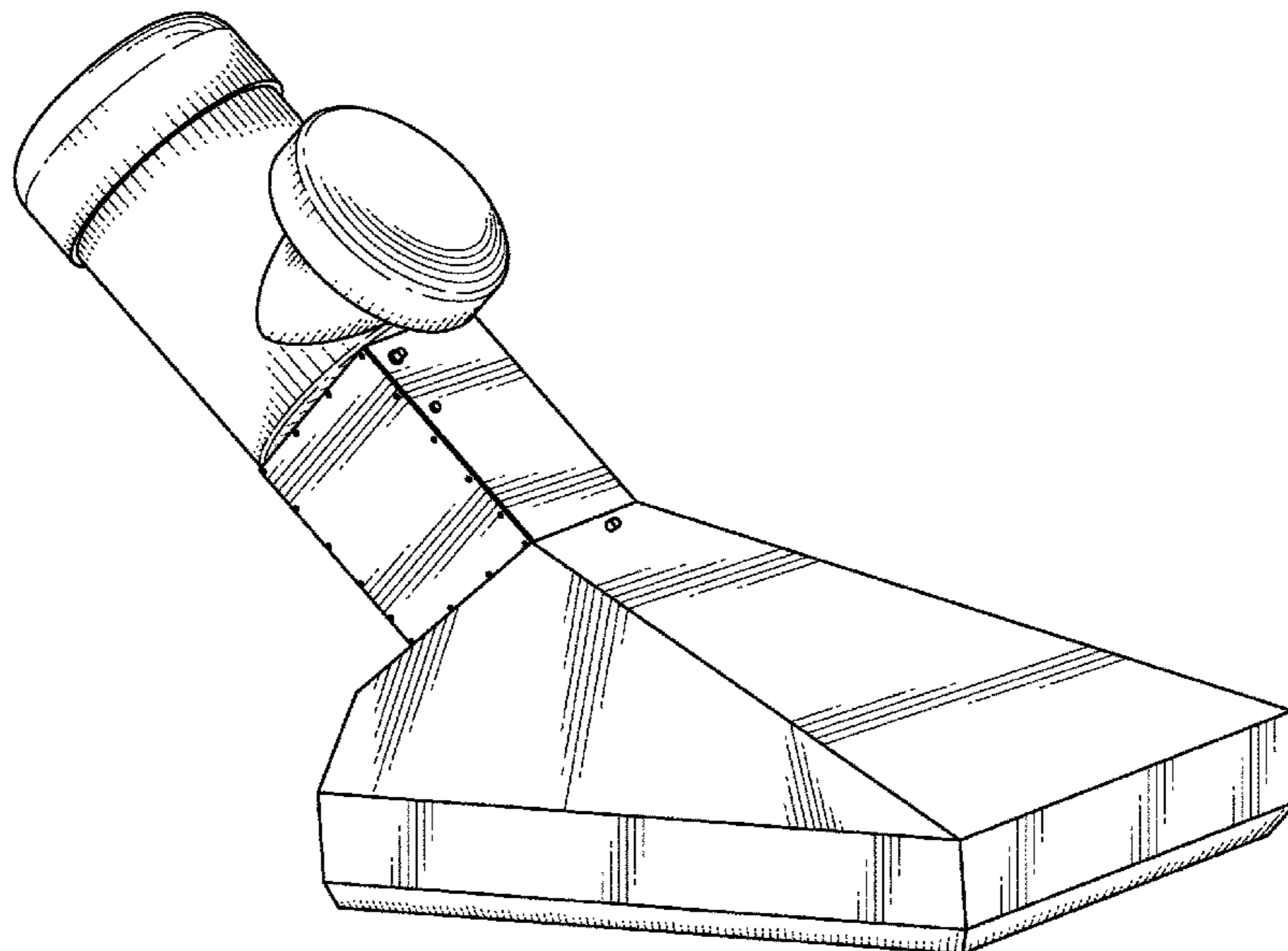
Portions of FIG. 7 that are shown as broken lines are for illustrative purpose only and form no part of the claimed design.

(56) **References Cited**

U.S. PATENT DOCUMENTS

D33,787 S \* 12/1900 Meiners ..... D23/249  
2,610,622 A 9/1952 Coggin  
3,805,766 A 4/1974 Hammon  
4,855,004 A 8/1989 Chitjian  
5,344,314 A 9/1994 Zagoroff et al.  
D379,501 S \* 5/1997 Airoso ..... D23/371  
6,073,859 A \* 6/2000 Gorgens ..... A01M 21/04  
239/128  
6,382,872 B1 \* 5/2002 Winterskov ..... E01C 23/20  
404/93

**1 Claim, 4 Drawing Sheets**



(56)

**References Cited**

U.S. PATENT DOCUMENTS

2013/0089824 A1\* 4/2013 Winterskov ..... B08B 3/024  
431/158  
2014/0322659 A1\* 10/2014 Winterskov ..... A01M 21/00  
431/158  
2016/0255825 A1\* 9/2016 Quam ..... A01M 7/0064  
2017/0001204 A1\* 1/2017 Peterson ..... B01D 53/005  
2019/0099779 A1\* 4/2019 Farmer ..... A01K 5/0225  
2019/0281809 A1\* 9/2019 Schwenter ..... A01M 21/04

FOREIGN PATENT DOCUMENTS

CN 2260684 Y 8/1997  
CN 2470399 Y 1/2002  
CN 101648196 A 2/2010  
GB 614 725 A 12/1948

OTHER PUBLICATIONS

English Abstract, CN2470399Y, 2 pages.  
English Abstract, CN2053133U, 2 pages.  
English Abstract, CN2260684Y, 2 pages.  
English Abstract, CN2198072Y, 2 pages.  
English Abstract, CN101648196A, 2 pages.  
International Search Report, Application No. PCT/DK2011/000047,  
dated Nov. 24, 2011, 4 pages.

\* cited by examiner

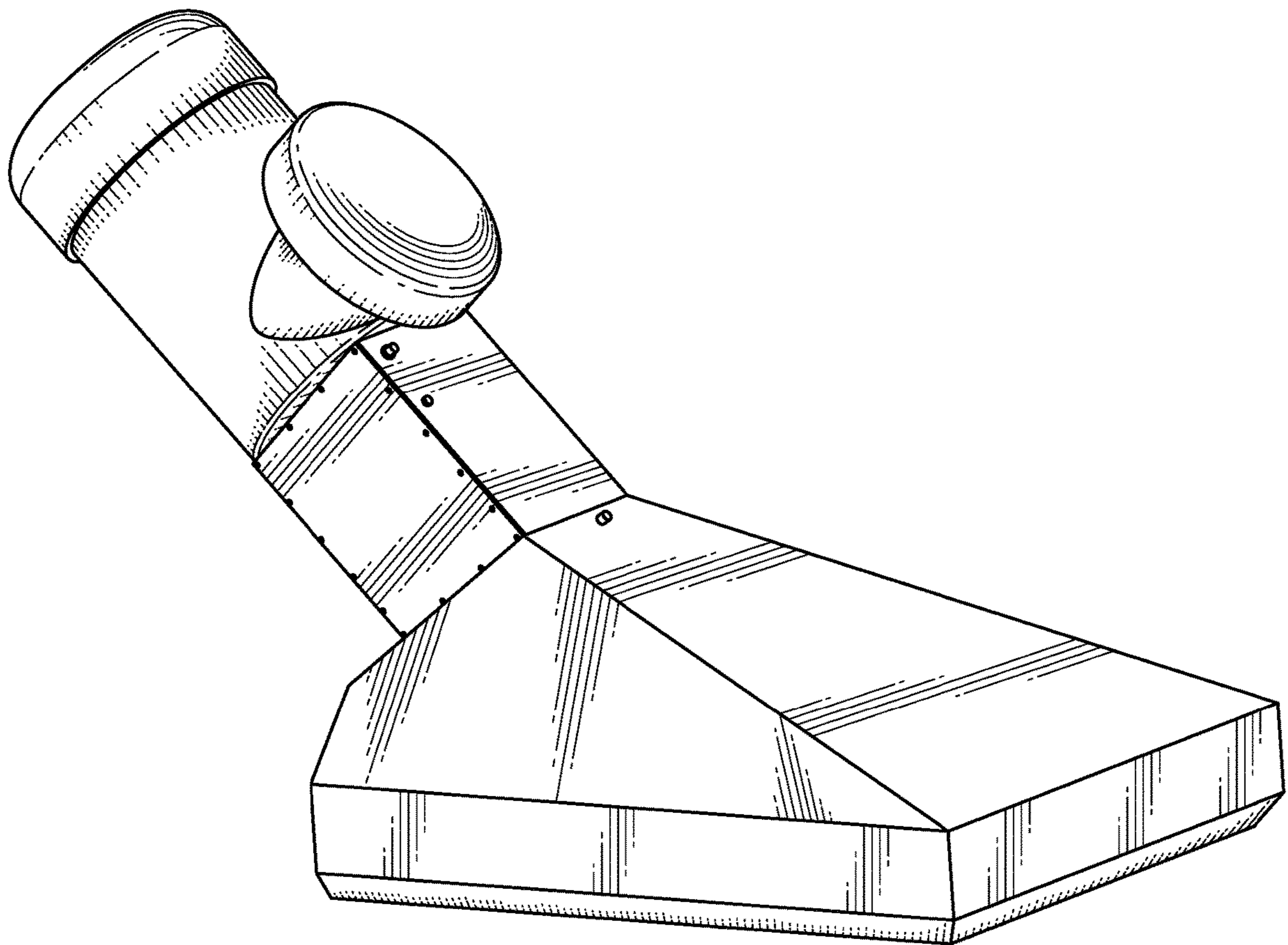


Fig. 1

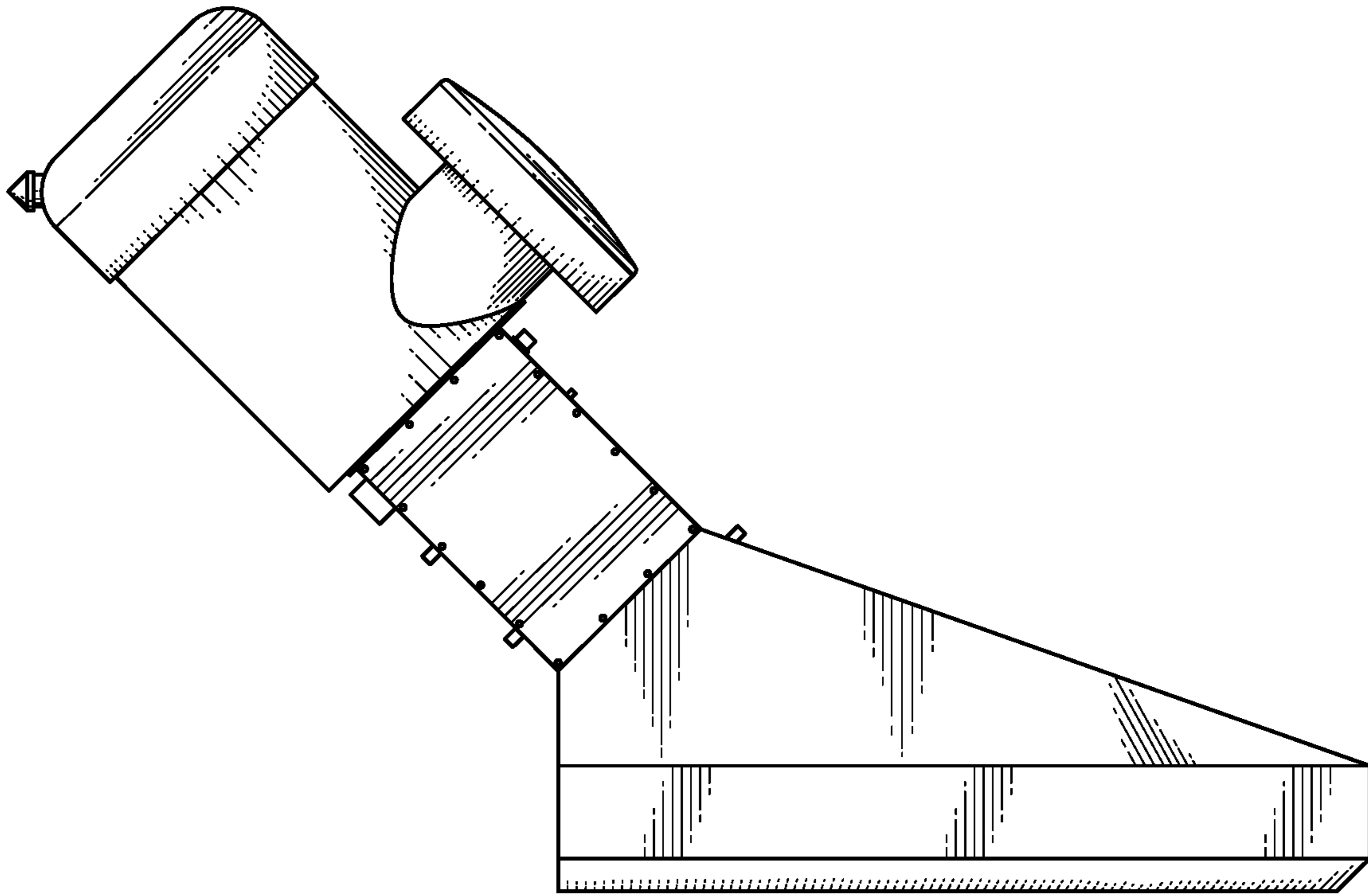


Fig. 2

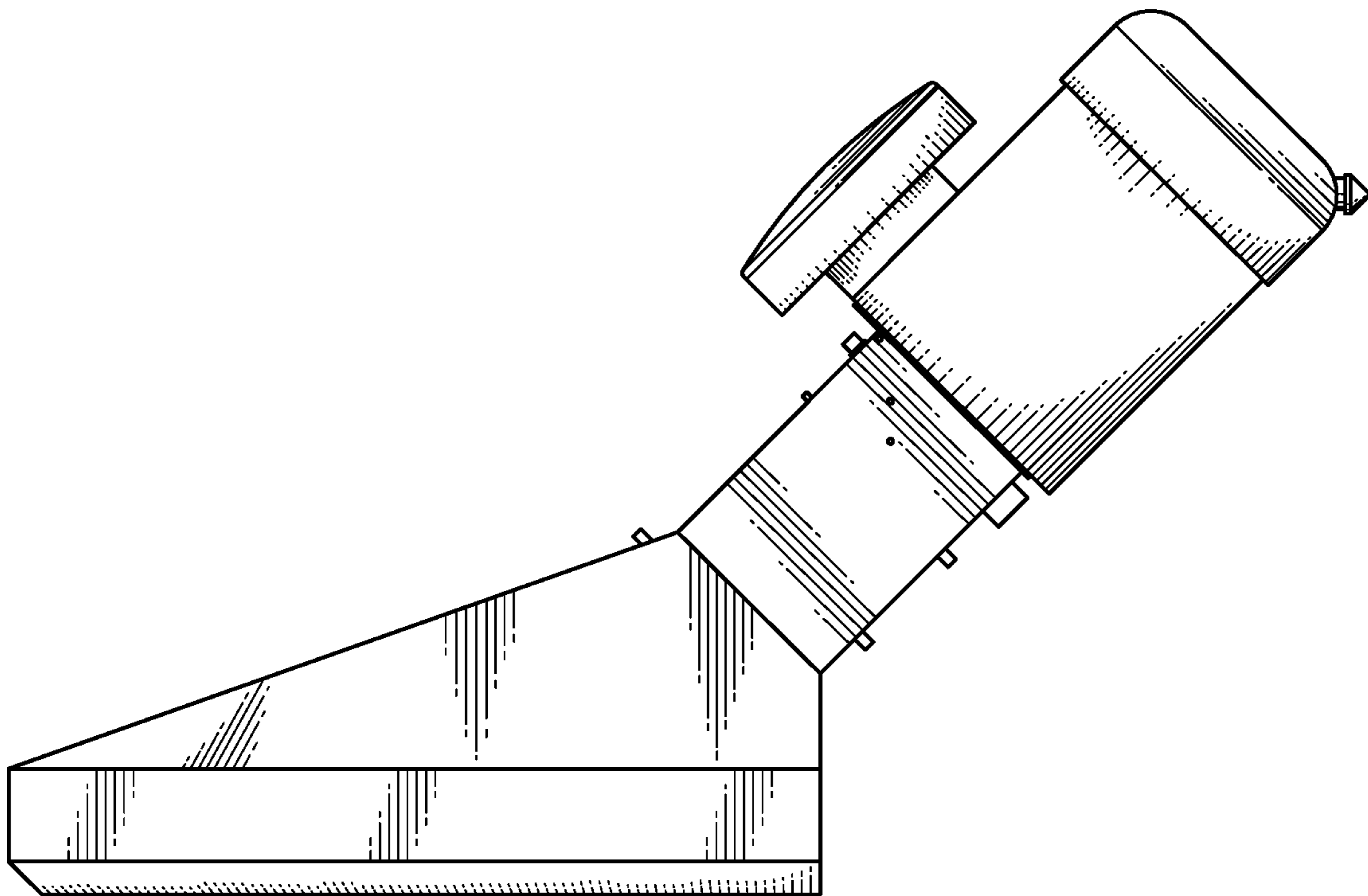


Fig. 3



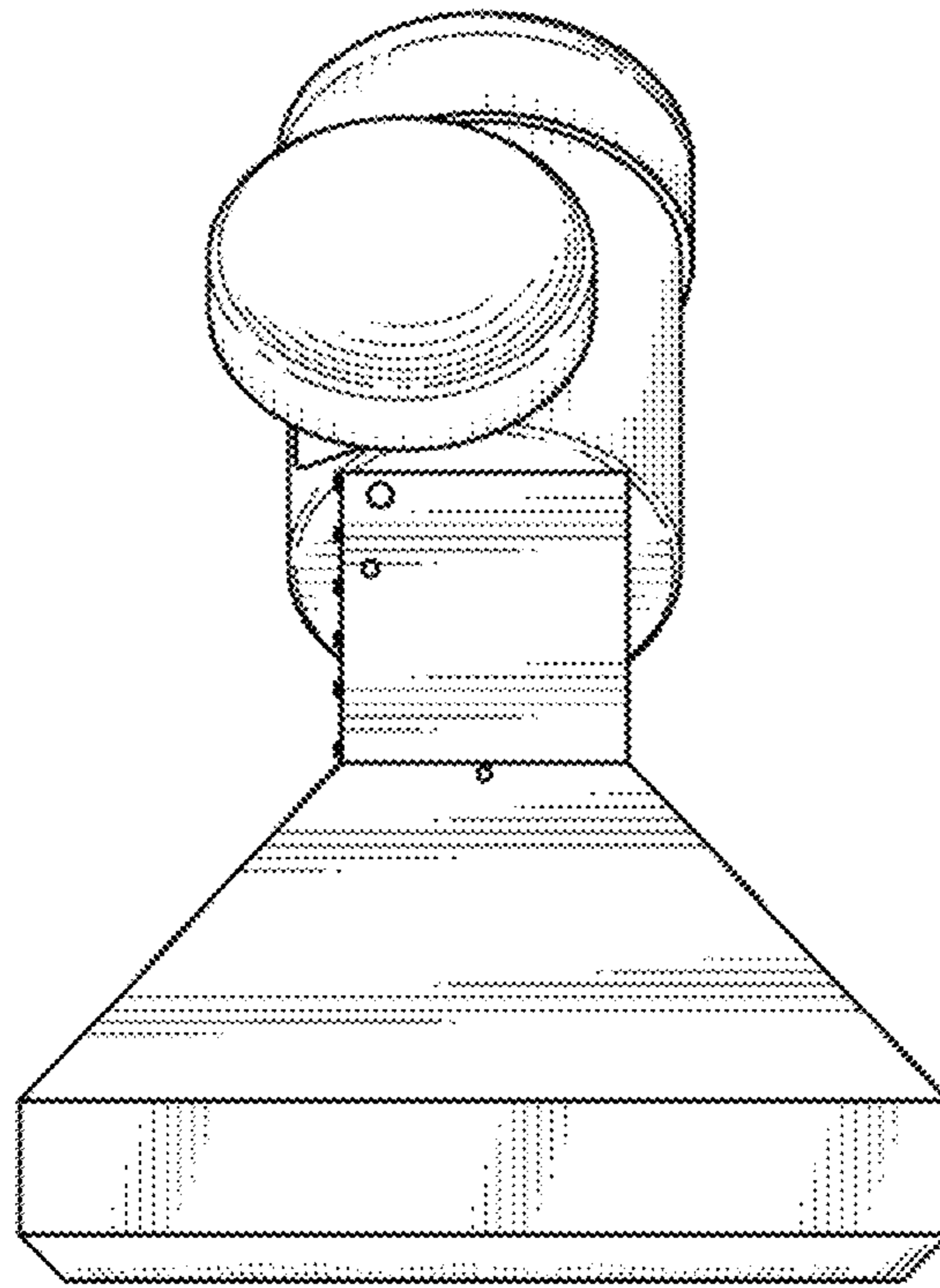


FIG. 4

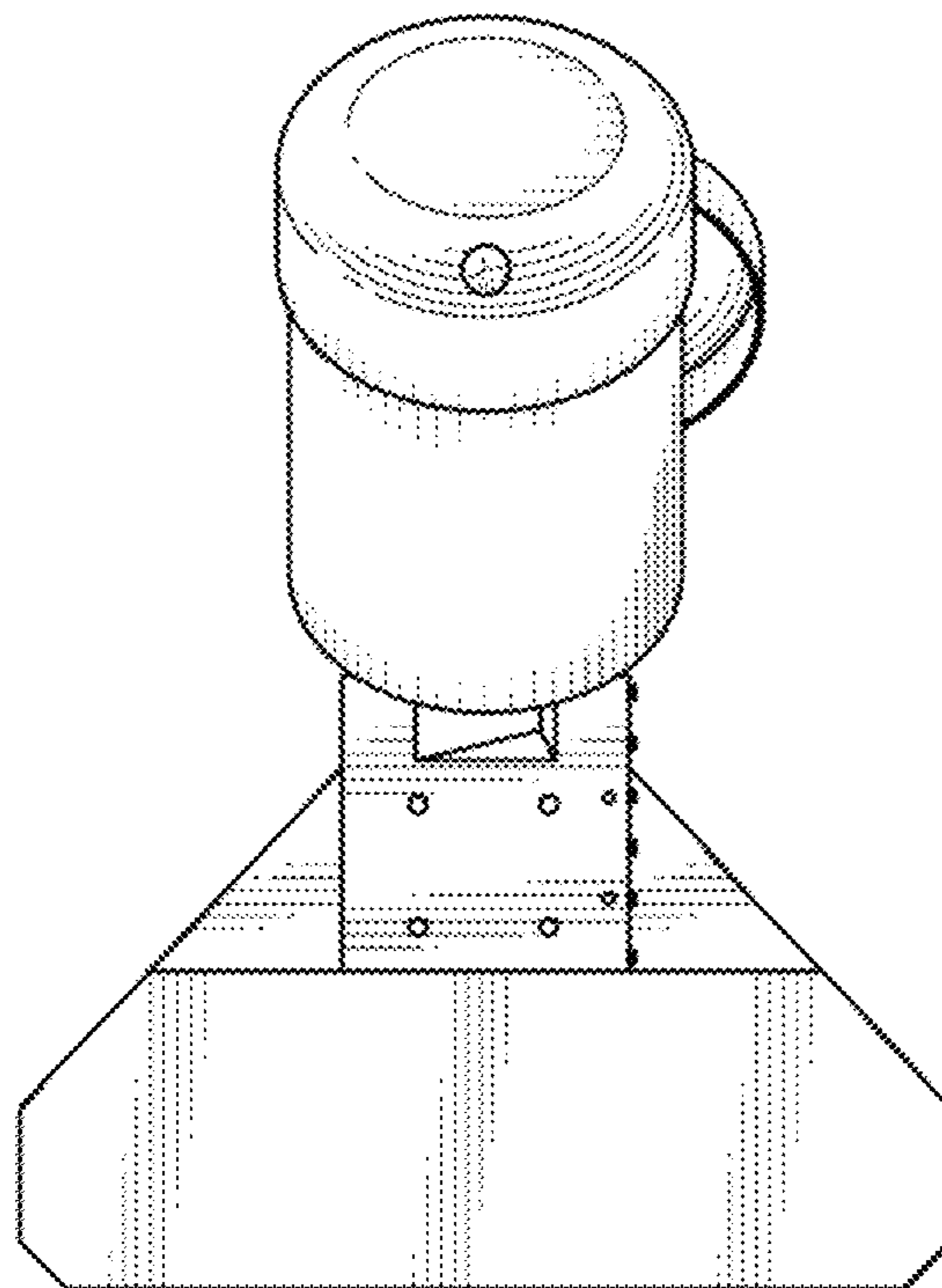


FIG. 5

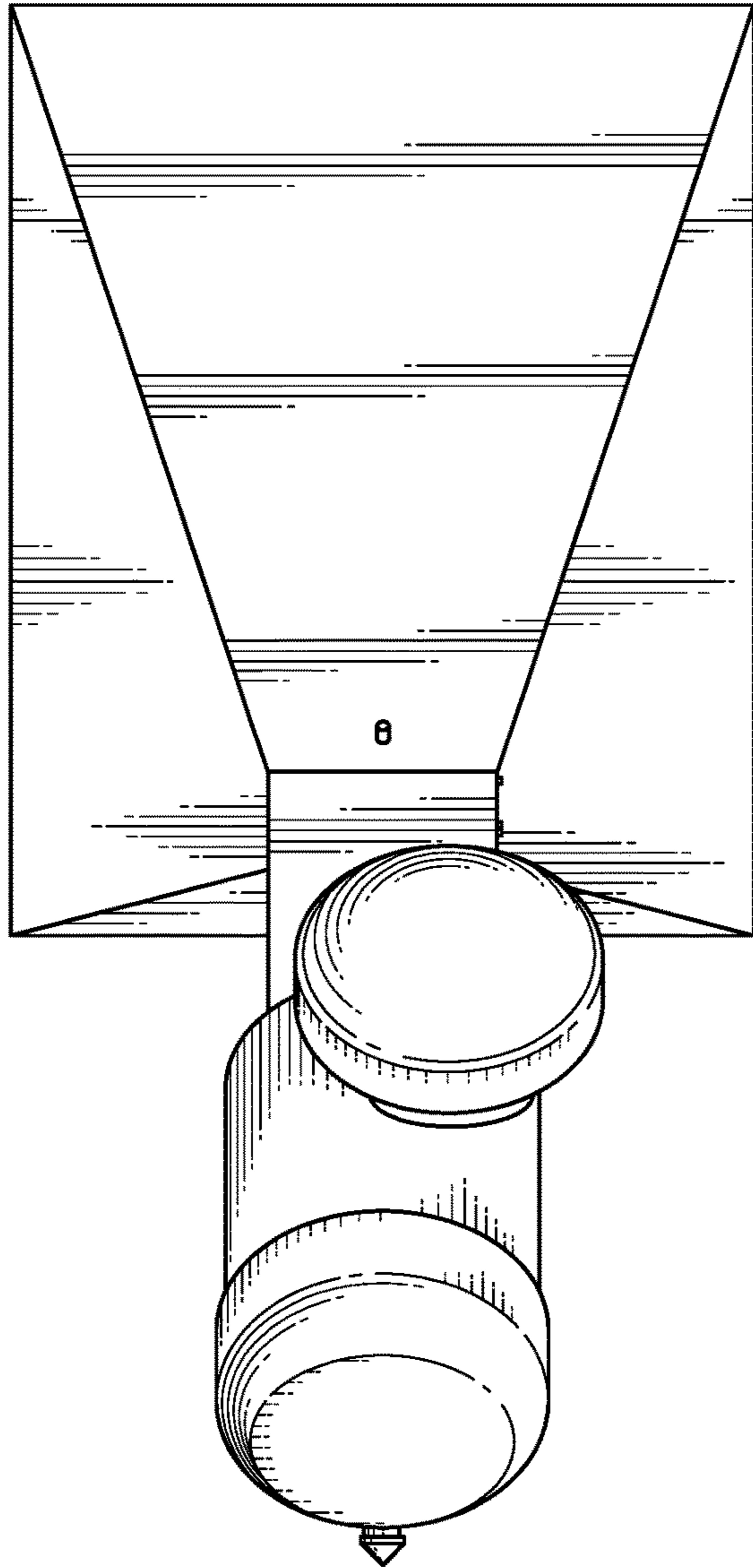


Fig. 6

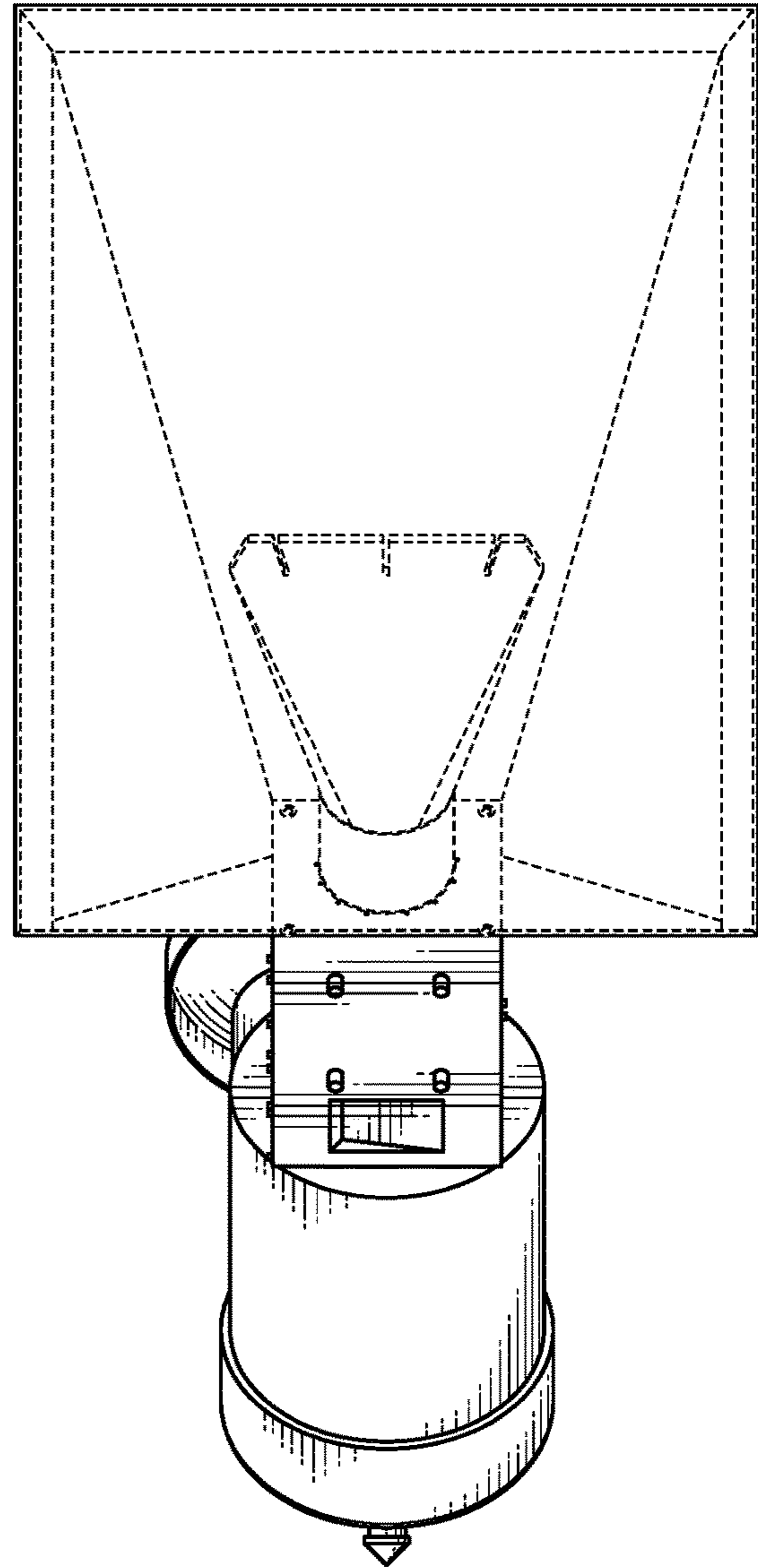


Fig. 7