

US00D891464S

(12) **United States Design Patent**
Zurmoehle et al.

(10) **Patent No.:** **US D891,464 S**
(45) **Date of Patent:** **** Jul. 28, 2020**

(54) **DISPLAY PANEL OR PORTION THEREOF WITH A TRANSITIONAL GRAPHICAL USER INTERFACE**

(71) Applicant: **MAGIC LEAP, INC.**, Plantation, FL (US)

(72) Inventors: **Tim Zurmoehle**, Fort Lauderdale, FL (US); **Andrea Isabel Montoya**, Plantation, FL (US); **William Adams**, New York, NY (US); **Gregory Minh Tran**, Miami, FL (US); **Lorena Pazmino**, Wilton Manors, FL (US); **Robert John Cummings MacDonald**, White Rock (CA); **James M. Powderly**, Fort Lauderdale, FL (US)

(73) Assignee: **Magic Leap, Inc.**, Plantation, FL (US)

(**) Term: **15 Years**

(21) Appl. No.: **29/724,714**

(22) Filed: **Feb. 18, 2020**

Related U.S. Application Data

(62) Division of application No. 29/640,871, filed on Mar. 16, 2018, now Pat. No. Des. 879,138.

(51) **LOC (12) Cl.** **14-04**

(52) **U.S. Cl.**
USPC **D14/489**

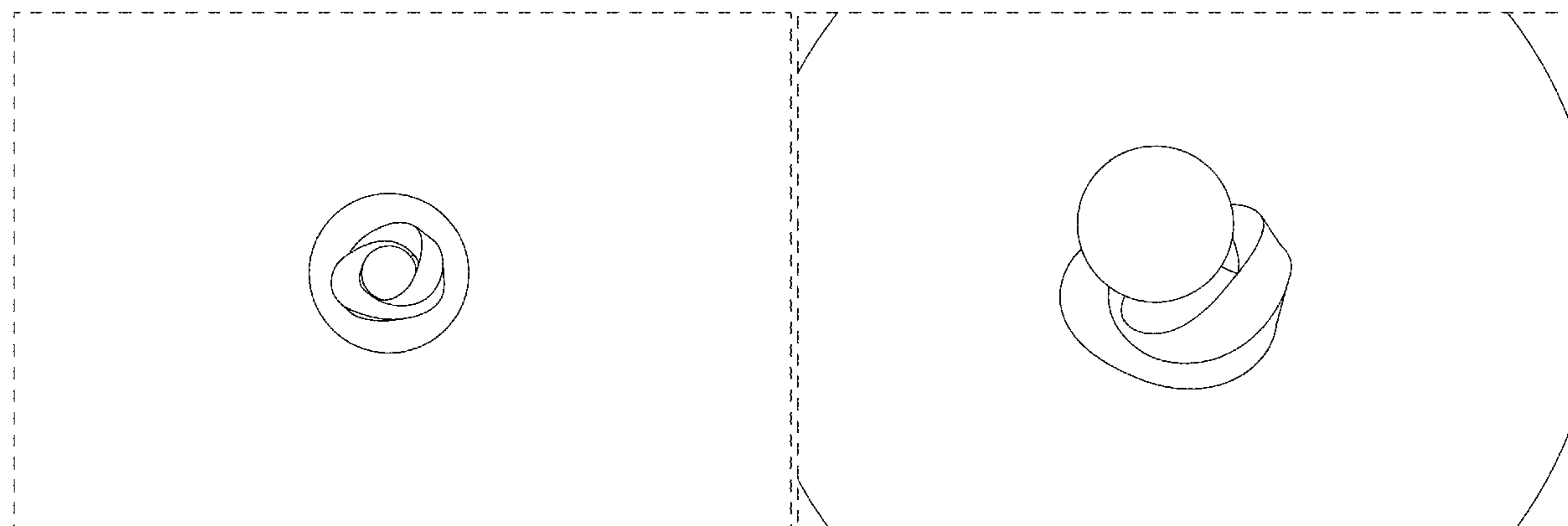
(58) **Field of Classification Search**
USPC D14/485-488, 489-495
CPC G06T 13/80; G06T 15/02; H04L 12/2631; H04L 43/045; H04L 41/22
See application file for complete search history.

(56) **References Cited**

U.S. PATENT DOCUMENTS

D595,311 S * 6/2009 Ozzie D14/489
D667,415 S * 9/2012 Garn D14/485
D667,422 S * 9/2012 Elliott D14/488
D667,423 S * 9/2012 Nagamine D14/488

D714,330 S * 9/2014 Wood D14/485
D743,973 S * 11/2015 Ahn D14/485
D744,500 S * 12/2015 Lee D14/485
D746,857 S * 1/2016 Rayit D14/488
D751,584 S * 3/2016 Nuovo D14/485
D752,093 S 3/2016 Yoon et al.
D762,655 S * 8/2016 Kai D14/485
D762,673 S * 8/2016 Seo D14/485
D762,693 S * 8/2016 Anzures D14/486
D762,715 S * 8/2016 Williamson D14/488
D763,871 S * 8/2016 Yang D14/485
D766,316 S 9/2016 Lee et al.
D766,924 S * 9/2016 Wang D14/485
D771,064 S * 11/2016 Nuovo D14/485
D774,084 S * 12/2016 Lee D14/489
D783,673 S 4/2017 Xu
D784,363 S * 4/2017 Fleming D14/485
D788,806 S * 6/2017 Anzures D14/486
D788,807 S * 6/2017 Broughton D14/486
D790,575 S * 6/2017 Anzures D14/486
D790,588 S * 6/2017 Bebbington D14/488
D793,422 S * 8/2017 Gagnier D14/486
D801,382 S * 10/2017 Seo D14/489
D801,386 S 10/2017 Xu
D802,620 S 11/2017 Bae et al.
D802,624 S 11/2017 Doti et al.
D803,870 S * 11/2017 Landry D14/488
D807,377 S 1/2018 Bentley
D815,650 S * 4/2018 Kim D14/486
D817,966 S * 5/2018 Watanabe D14/485
D818,494 S * 5/2018 Guzman D14/492
D819,075 S * 5/2018 Tsuji D14/489
D821,407 S * 6/2018 Wilberding D14/485
D823,317 S 7/2018 Li et al.
D831,046 S * 10/2018 Hashimoto D14/485
D831,067 S 10/2018 Ekstrand et al.
D832,283 S 10/2018 Tellis et al.
D832,866 S * 11/2018 Gomez-Rosado D14/485
D835,665 S * 12/2018 Kimura D14/488
D836,126 S * 12/2018 Anzures D14/486
D839,878 S * 2/2019 Ishii D14/485
D841,018 S 2/2019 Bonnevie
D841,019 S 2/2019 Bonnevie
D841,690 S * 2/2019 Guzman D14/489
10,198,073 B2 * 2/2019 Chaudhri G06F 3/04817
D842,311 S * 3/2019 Clapper D14/485
10,237,669 B2 * 3/2019 Jin A63J 17/00
D845,967 S * 4/2019 Clediere D14/485
D847,156 S * 4/2019 Bae D14/485
D847,172 S * 4/2019 Nishiura D14/486
D847,180 S * 4/2019 Wan D14/486
10,261,661 B2 4/2019 Ramanathan et al.
D847,844 S * 5/2019 Li D14/486



D847,845 S	5/2019	Li et al.	
10,289,291 B2 *	5/2019	Shah	G06F 3/04845
D852,209 S *	6/2019	Wei	D14/486
D852,210 S	6/2019	Wei	
D852,217 S	6/2019	Li et al.	
D852,842 S	7/2019	Hung et al.	
D855,646 S *	8/2019	Hohne	D14/487
D855,649 S *	8/2019	Akagawa	D14/489
D856,364 S *	8/2019	Beckman	D14/488
D857,031 S	8/2019	Jeon et al.	
D857,726 S *	8/2019	Van Gerbig	D14/486
D857,742 S	8/2019	Van Gerbig	
D859,423 S	9/2019	Kimura	
D860,221 S	9/2019	Jeon et al.	
D860,222 S	9/2019	Cen	
D860,234 S *	9/2019	Li	D14/486
D861,020 S *	9/2019	Chaudhri	D14/486
D864,225 S	10/2019	Xu et al.	
D866,584 S *	11/2019	Burroughs	D14/486
D868,103 S *	11/2019	Lewis	D14/488
D868,805 S	12/2019	Xu et al.	
D868,812 S *	12/2019	Schwer	D14/486
D870,757 S *	12/2019	Xu	D14/486
D873,285 S *	1/2020	Pazmino	D14/486
D873,854 S *	1/2020	Ishigaki	D14/489
D874,498 S *	2/2020	Krenkler	D14/486
D875,136 S	2/2020	Naimark et al.	
D875,751 S *	2/2020	Kim	D14/486
D877,771 S *	3/2020	Zurmoehle	D14/489
D879,115 S	3/2020	Liang et al.	
D879,138 S *	3/2020	Zurmoehle	D14/489
D879,147 S *	3/2020	Lebov	D14/491
D880,497 S *	4/2020	Boyd	D14/485
D880,510 S *	4/2020	Yu	D14/486
D881,902 S	4/2020	Wood et al.	
2019/0212885 A1 *	7/2019	Zambetti	G06T 13/80

OTHER PUBLICATIONS

Nielsen, Jaquim Marques. “Animation: Daily Fix.” Dribbble, published Sep. 19, 2012 (Retrieved from the Internet Apr. 22, 2020). Internet URL: <<https://dribbble.com/shots/736005-Animation-Daily-Fix>> (Year: 2012).*

Jecrown41. “Powerup (Animated Orb).” OpenGameArt.org, posted Nov. 30, 2015 (Retrieved May 15, 2019). Internet URL: <<https://opengameart.org/content/powerup-animated-orb>> (Year: 2015).*

Nemoexnihilo. “18. Rotating Mobius,” in “25 Mesmerizing Loading Icons That Will Make You Drool.” Sites Illustrated, posted Aug. 3, 2016 (Retrieved from the Internet May 15, 2019). Internet URL: <<http://blog.sitesillustrated.com/trends/25-mesmerizing-loading-icons-thatll-make-you-drool/>> (Year: 2016).*

Strange, Adario. “Magic Leap’s Helio App Is the Best Window in the Web . . .” Next Reality, published Aug. 14, 2018 (Retrieved from the Internet Apr. 22, 2020). Internet URL: <<https://magic-leap.reality.news/news/hands-on-magic-leaps-helio-app-is-best-window-into-web-available-augmented-reality-0186508/>> (Year: 2018).*

UI8. “Copper Loader.” Dribbble, posted Jan. 4, 2016 (Retrieved from the Internet May 15, 2019). Internet URL: <<https://dribbble.com/shots/2436386-Copper-Loader>> (Year: 2016).

Notice of Allowance for U.S. Appl. No. 29/724,774 dated Apr. 29, 2020.

Zabransky, Jan. “Eye of Mobius Logo.” Dribbble, published Oct. 22, 2014 (Retrieved from the Internet Apr. 23, 2020). Internet URL: <https://dribbble.com/shots/1776228-Eye-of-Mobius-Logo> (Year: 2014).

Owen, Alexander. “Mobius Eye.” Pixels, published Jul. 23, 2018 (Retrieved from the Internet Apr. 23, 2020). Internet URL: <https://pixels.com/featured/mobius-eye-alexander-owen.html> (Year: 2018).

Notice of Allowance for U.S. Appl. No. 29/724,680 dated Apr. 29, 2020.

D’Silva, Pasquale. “Echoes.” Dribbble, published Aug. 13, 2012 (Retrieved from the Internet Apr. 22, 2020). Internet URL: <https://dribbble.com/shots/686417--gif-Echos> (Year: 2012).

Souza, Fernando. “Pulsing Heart CSS Animation.” Stack Overflow, published Jan. 13, 2016 (Retrieved from the Internet Apr. 22, 2020).

Internet URL: <https://stackoverflow.com/questions/34762009/pulsing-heart-css-animation> (Year: 2016).

Notice of Allowance for U.S. Appl. No. 29/724,702 dated Apr. 29, 2020.

Aen. “A.I. Soul Animation.” Dribbble, published Mar. 12, 2019 (Retrieved from the Internet Apr. 22, 2020). Internet URL: <https://dribbble.com/shots/6165598-A-I-soul-animation> (Year: 2019).

Non-Final Office Action for U.S. Appl. No. 29/724,767 dated Apr. 28, 2020.

Bardoles, Jovie Brett. “Chrome dots.” Dribbble, published Oct. 3, 2015 (Retrieved from the Internet Apr. 22, 2020). Internet URL: <https://dribbble.com/shots/2274625-Chrome-dots> (Year: 2015).

* cited by examiner

Primary Examiner — Jack Reickel

Assistant Examiner — Rachel A Voorhies

(74) Attorney, Agent, or Firm — Vista IP Law Group LLP

(57)

CLAIM

The ornamental design for a display panel or portion thereof with a transitional graphical user interface, as shown and described.

DESCRIPTION

FIG. 1 is a front view of a display panel or portion thereof with a transitional graphical user interface showing a first image in a sequence of our design;

FIG. 2 is a front view of a display panel or portion thereof with a transitional graphical user interface showing a second image in the sequence thereof;

FIG. 3 is a front view of a display panel or portion thereof with a transitional graphical user interface showing a third image in the sequence thereof;

FIG. 4 is a front view of a display panel or portion thereof with a transitional graphical user interface showing a fourth image in the sequence thereof;

FIG. 5 is a front view of a display panel or portion thereof with a transitional graphical user interface showing a fifth image in the sequence thereof;

FIG. 6 is a front view of a display panel or portion thereof with a transitional graphical user interface showing a sixth image in the sequence thereof;

FIG. 7 is a front view of a display panel or portion thereof with a transitional graphical user interface showing a seventh image in the sequence thereof;

FIG. 8 is a front view of a display panel or portion thereof with a transitional graphical user interface showing an eighth image in the sequence thereof;

FIG. 9 is a front view of a display panel or portion thereof with a transitional graphical user interface showing a ninth image in the sequence thereof;

FIG. 10 is a front view of a display panel or portion thereof with a transitional graphical user interface showing a tenth image in the sequence thereof;

FIG. 11 is a front view of a display panel or portion thereof with a transitional graphical user interface showing an eleventh image in the sequence thereof;

FIG. 12 is a front view of a display panel or portion thereof with a transitional graphical user interface showing a twelfth image in the sequence thereof;

FIG. 13 is a front view of a display panel or portion thereof with a transitional graphical user interface showing a thirteenth image in the sequence thereof;

FIG. **14** is a front view of a display panel or portion thereof with a transitional graphical user interface showing a fourteenth image in the sequence thereof;

FIG. **15** is a front view of a display panel or portion thereof with a transitional graphical user interface showing a fifteenth image in the sequence thereof;

FIG. **16** is a front view of a display panel or portion thereof with a transitional graphical user interface showing a sixteenth image in the sequence thereof;

FIG. **17** is a front view of a display panel or portion thereof with a transitional graphical user interface showing a seventeenth image in the sequence thereof;

FIG. **18** is a front view of a display panel or portion thereof with a transitional graphical user interface showing an eighteenth image in the sequence thereof; and,

FIG. **19** is a front view of a display panel or portion thereof with a transitional graphical user interface showing a nineteenth image in the sequence thereof.

The appearance of the transitional image sequentially transitions between the images shown in FIGS. **1-19**. The process or period in which one image transitions to another image forms no part of the claimed design.

The outermost broken line rectangle illustrates a display panel or portion thereof that forms no part of the claimed design.

1 Claim, 19 Drawing Sheets

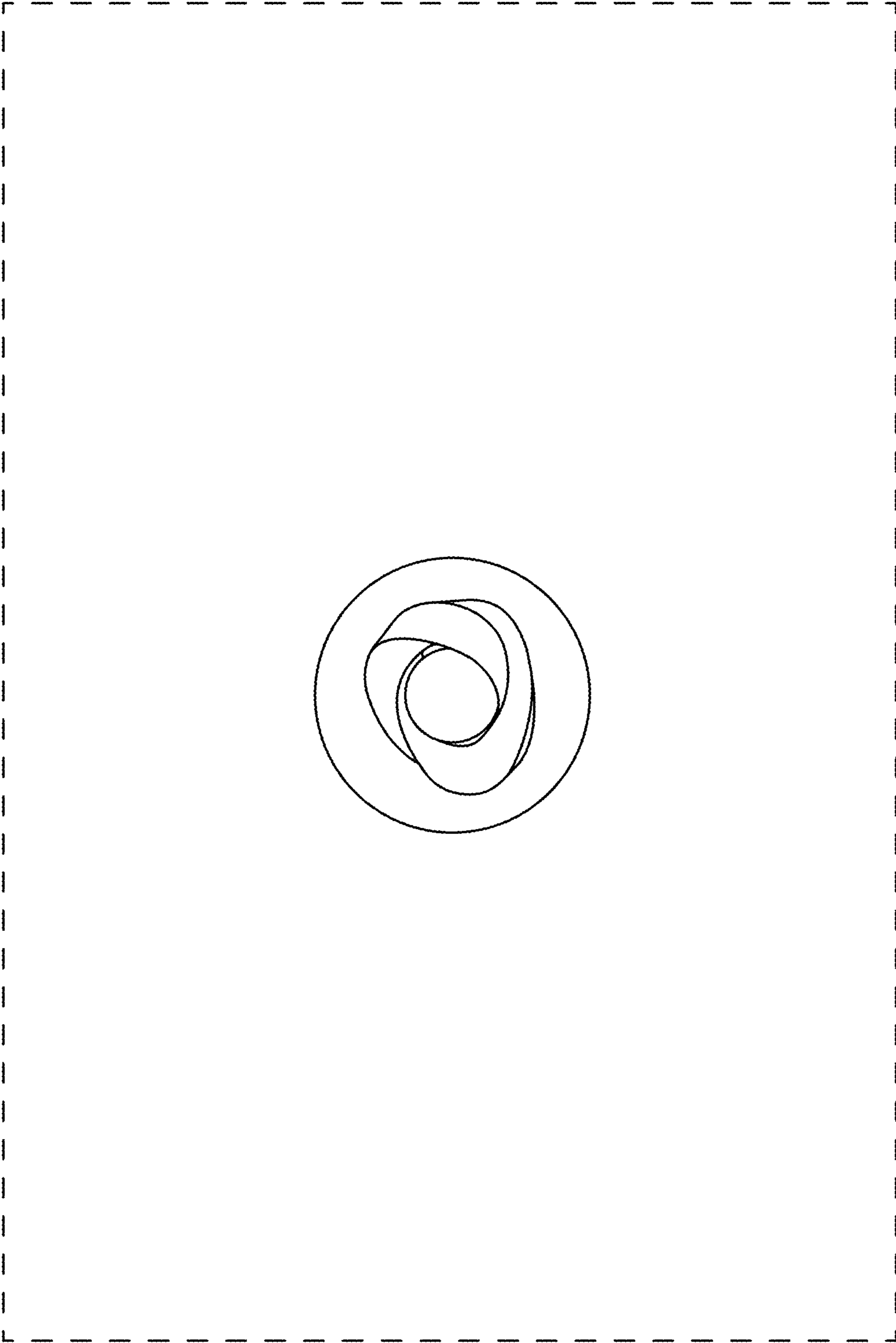


FIG. 1

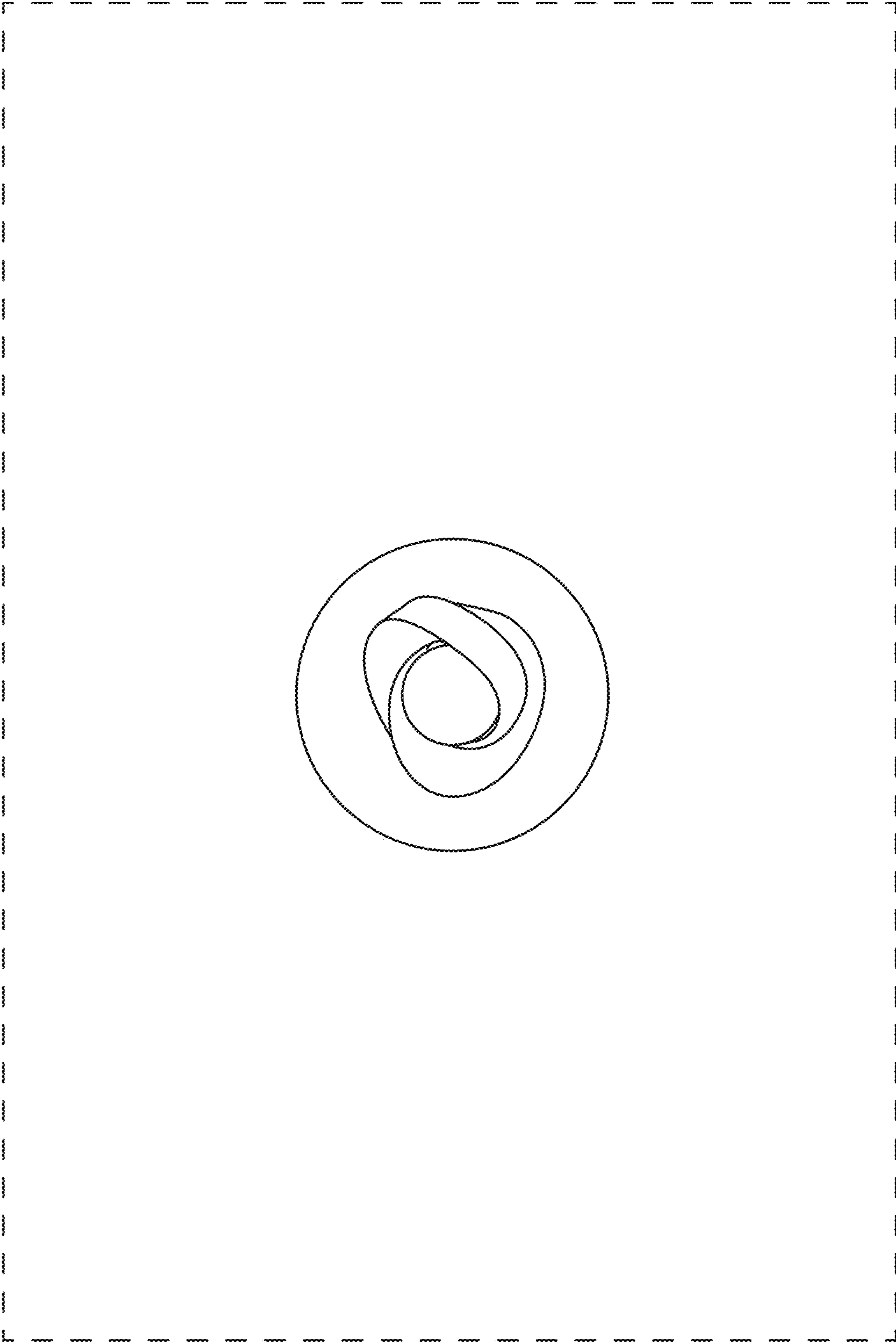


FIG. 2

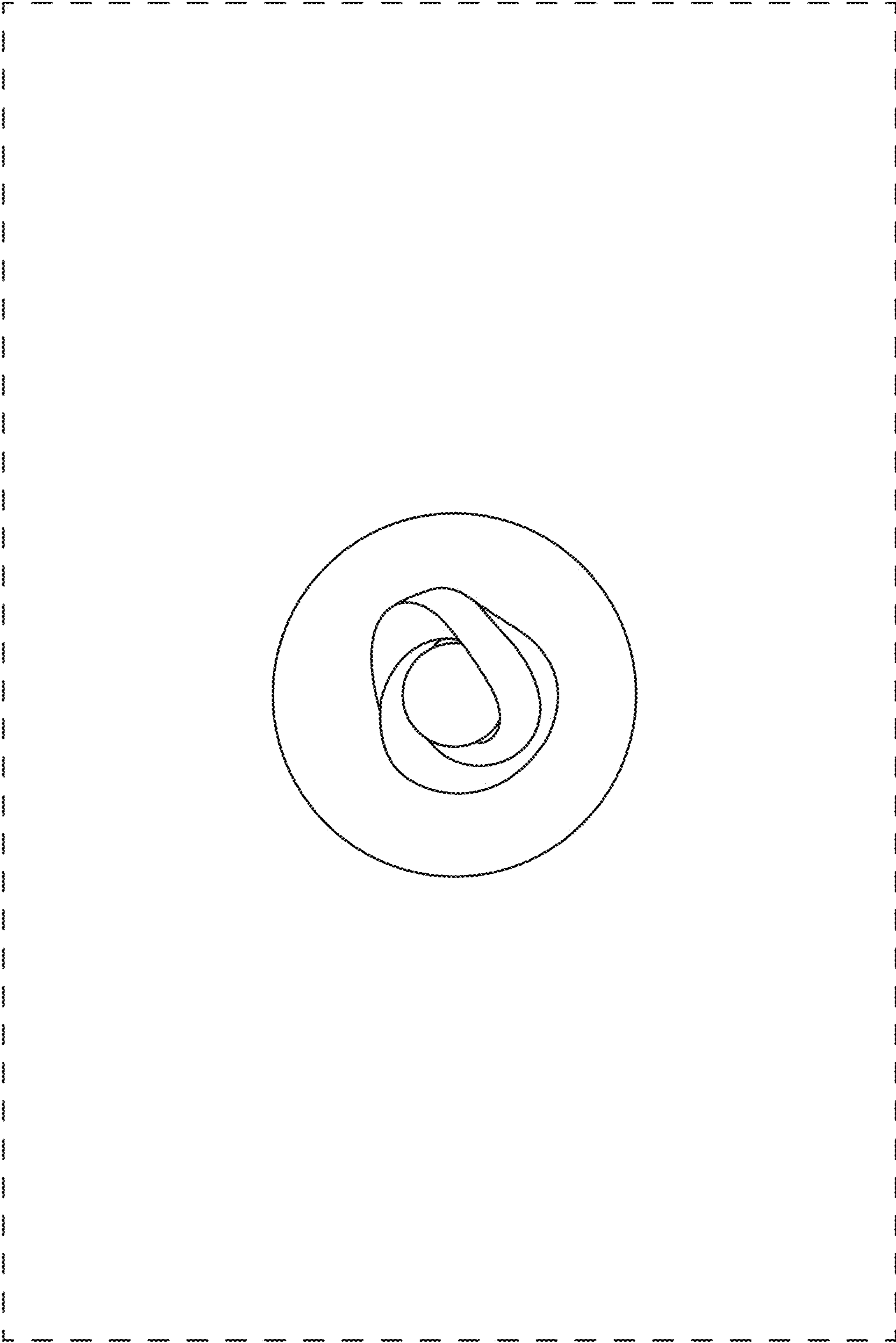


FIG. 3

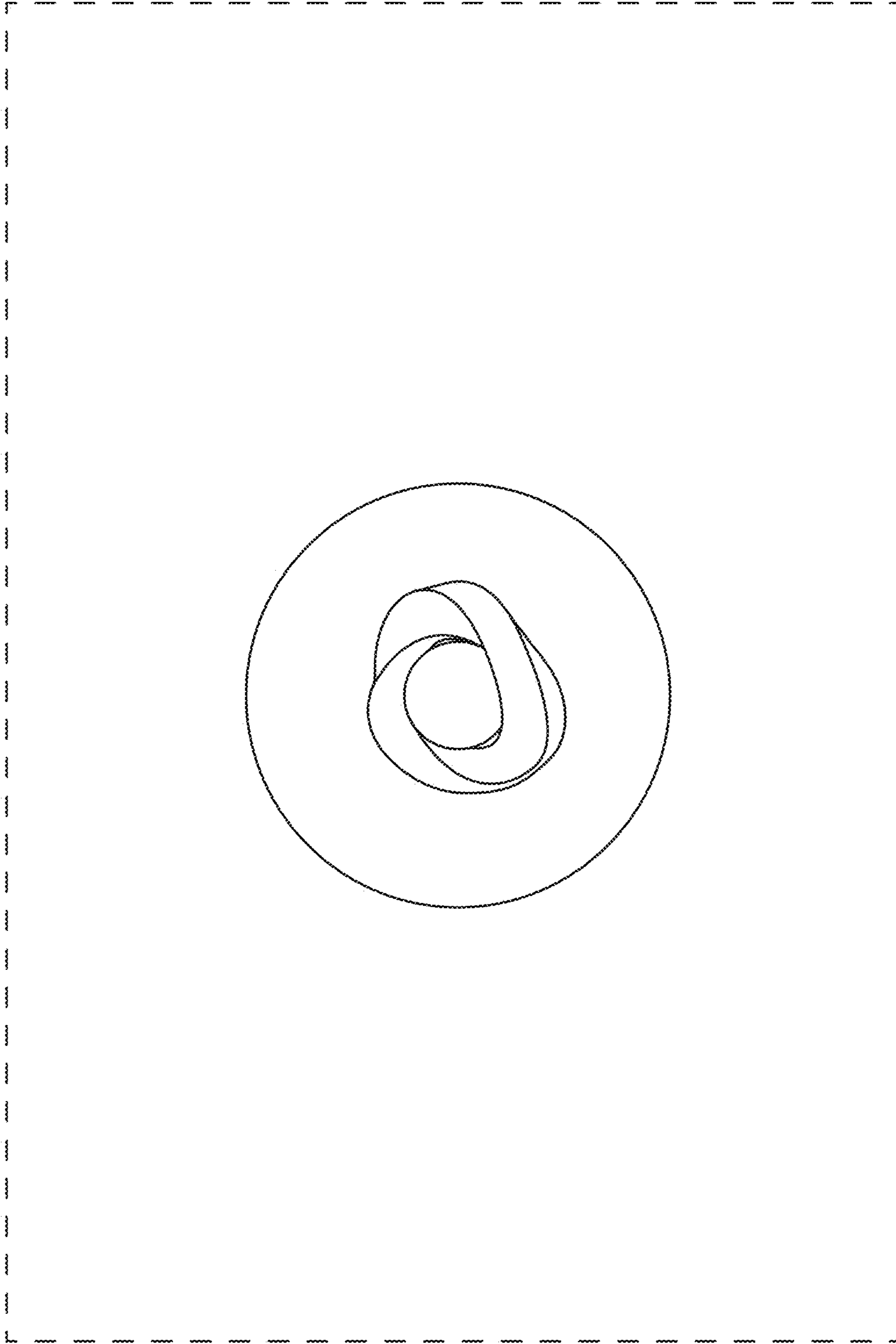


FIG. 4

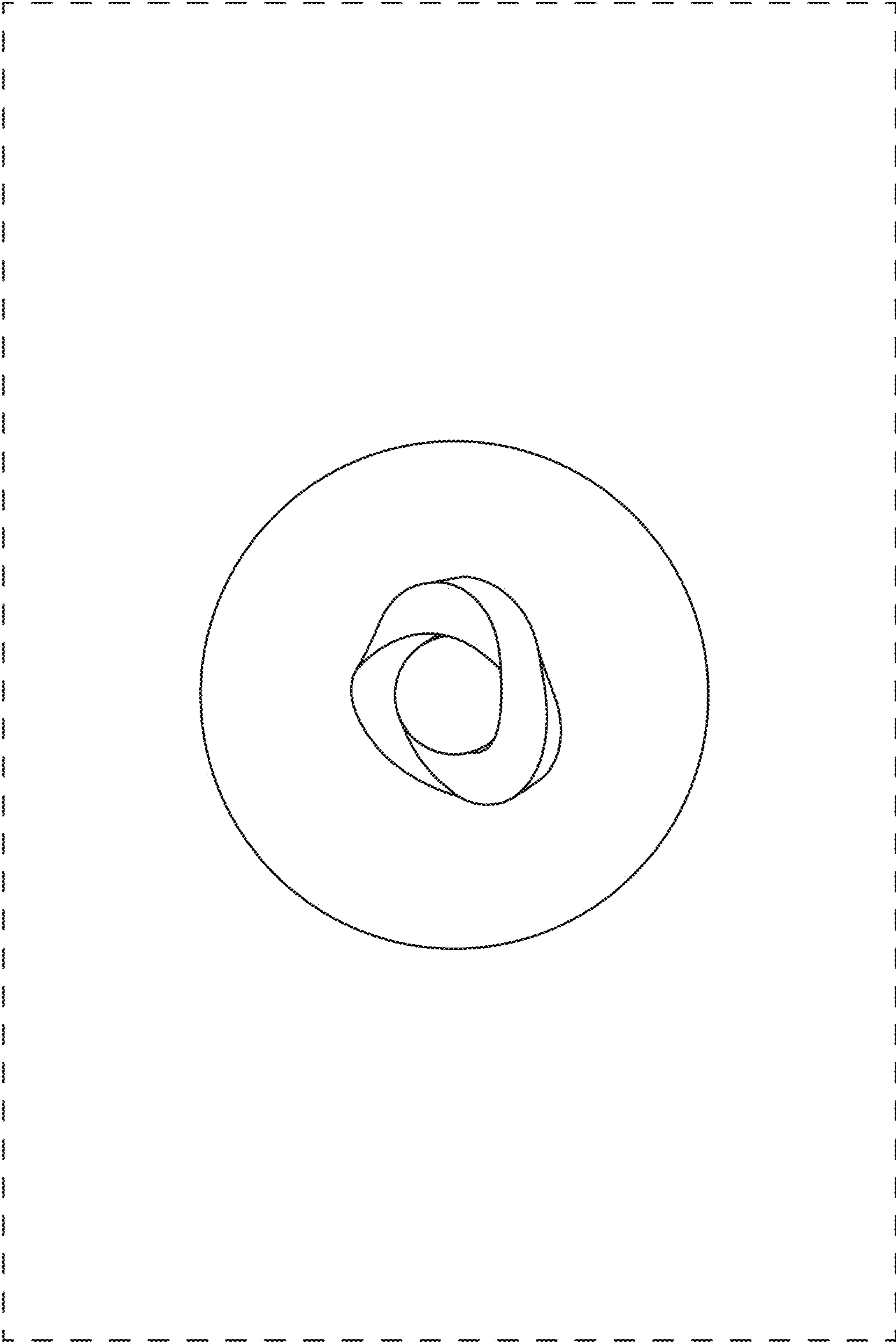


FIG. 5

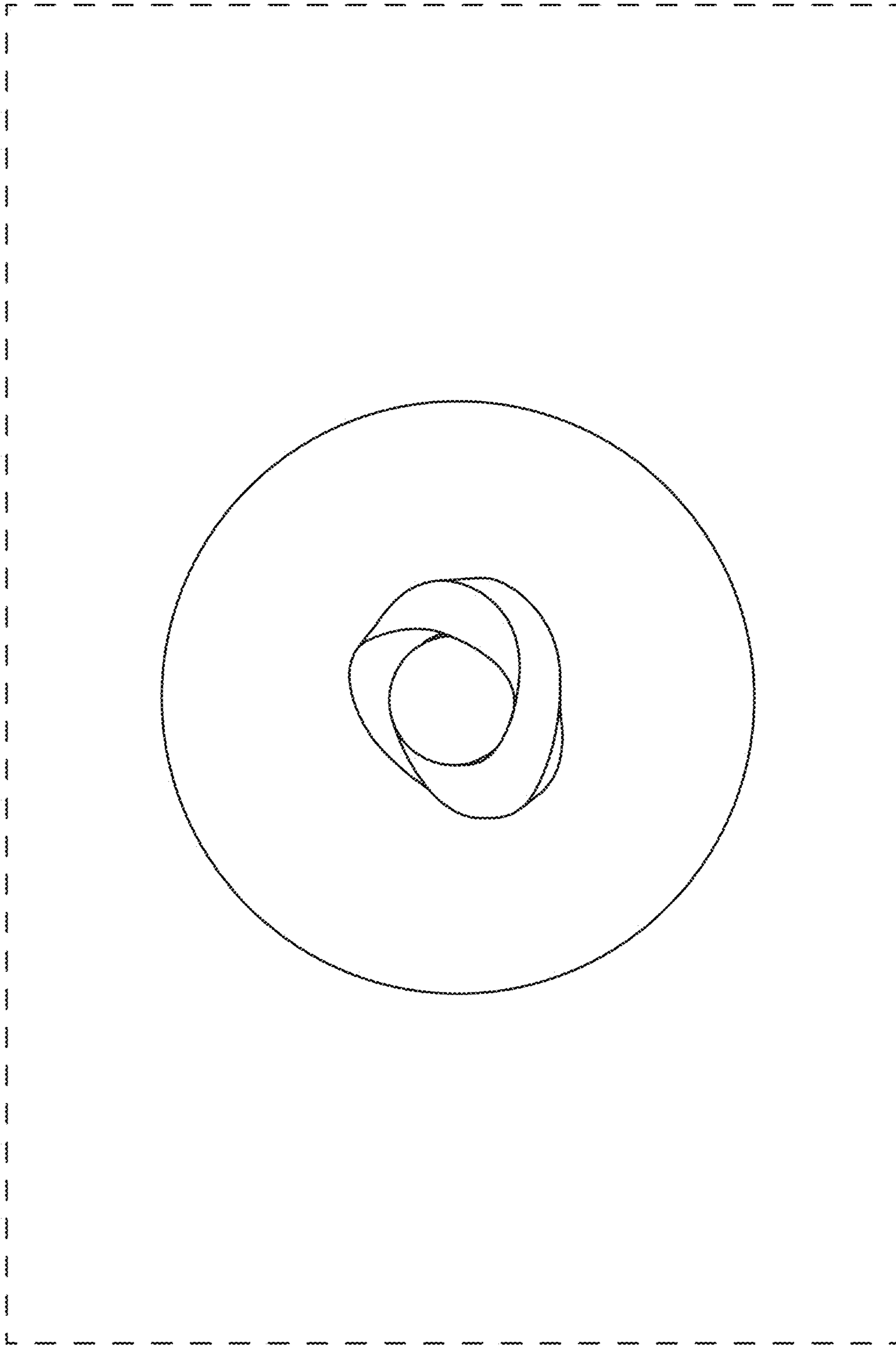


FIG. 6

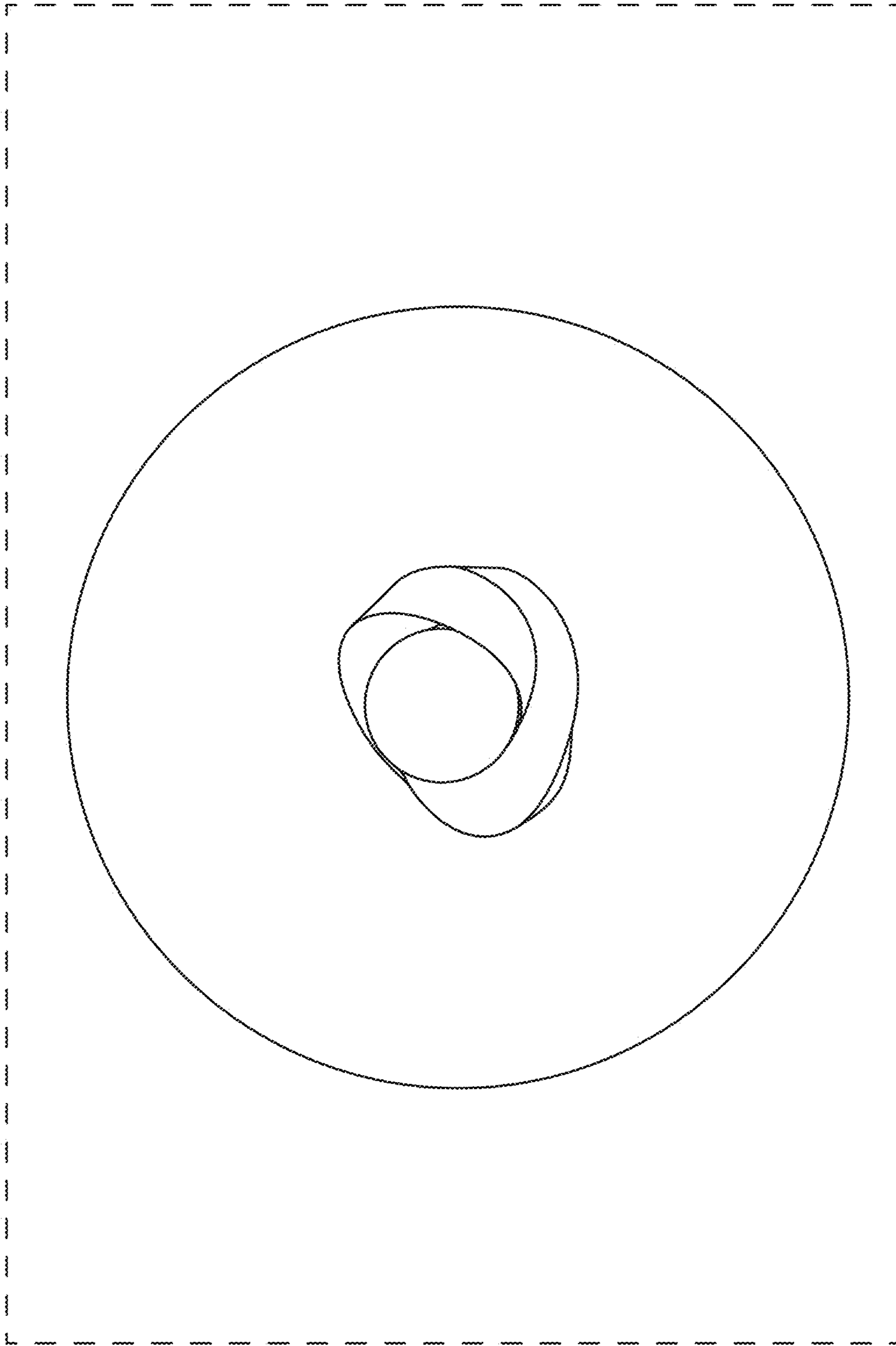


FIG. 7

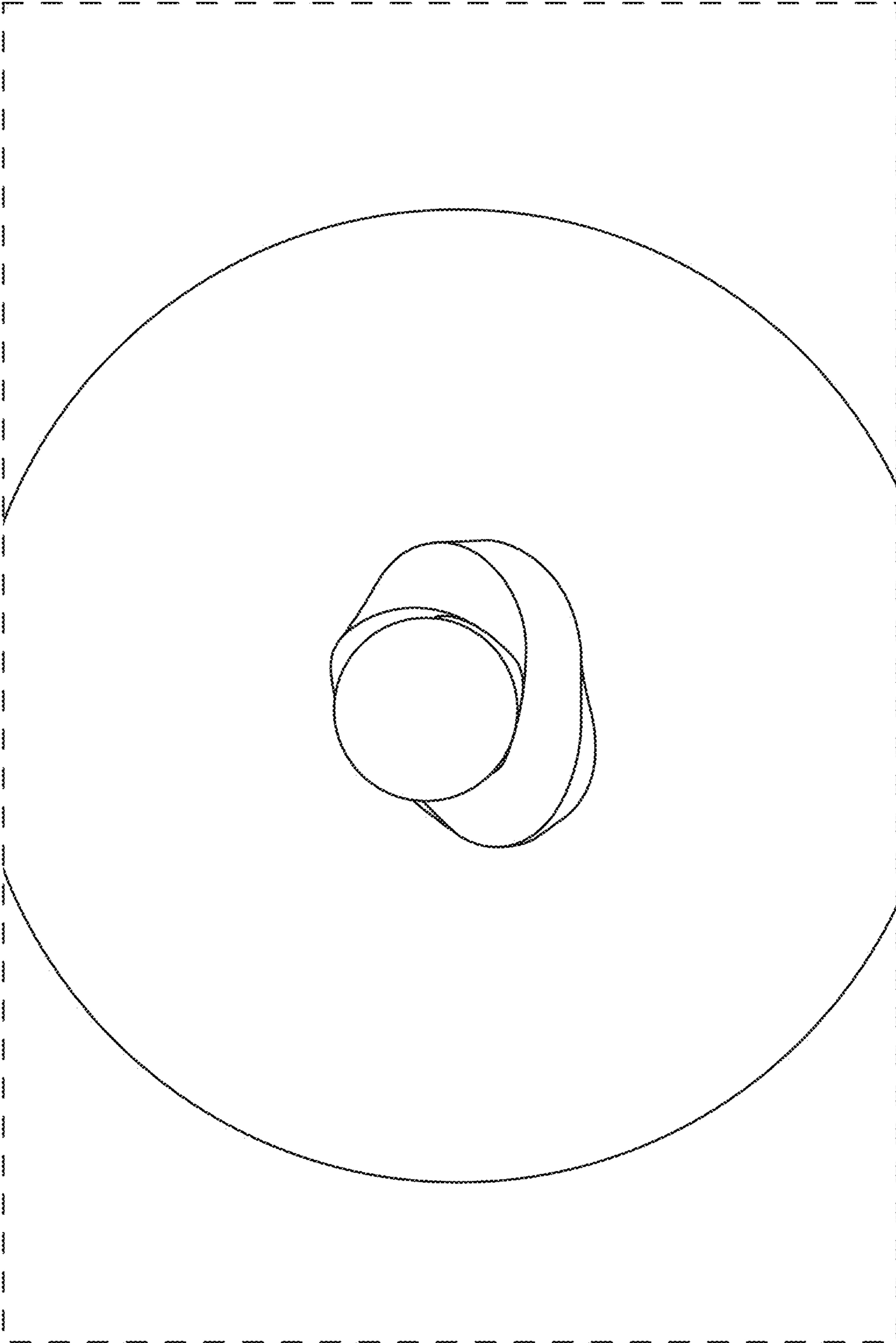


FIG. 8

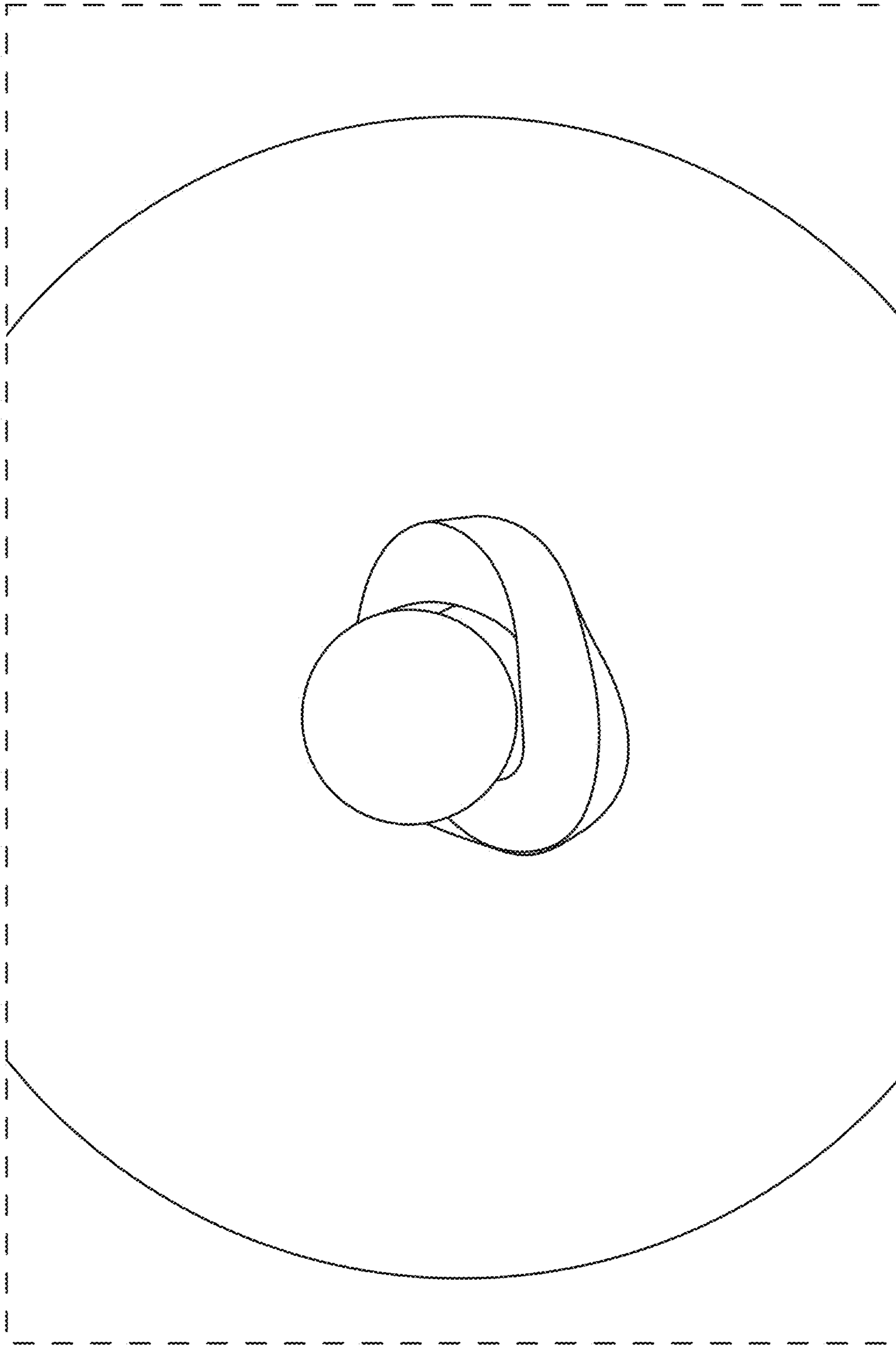


FIG. 9

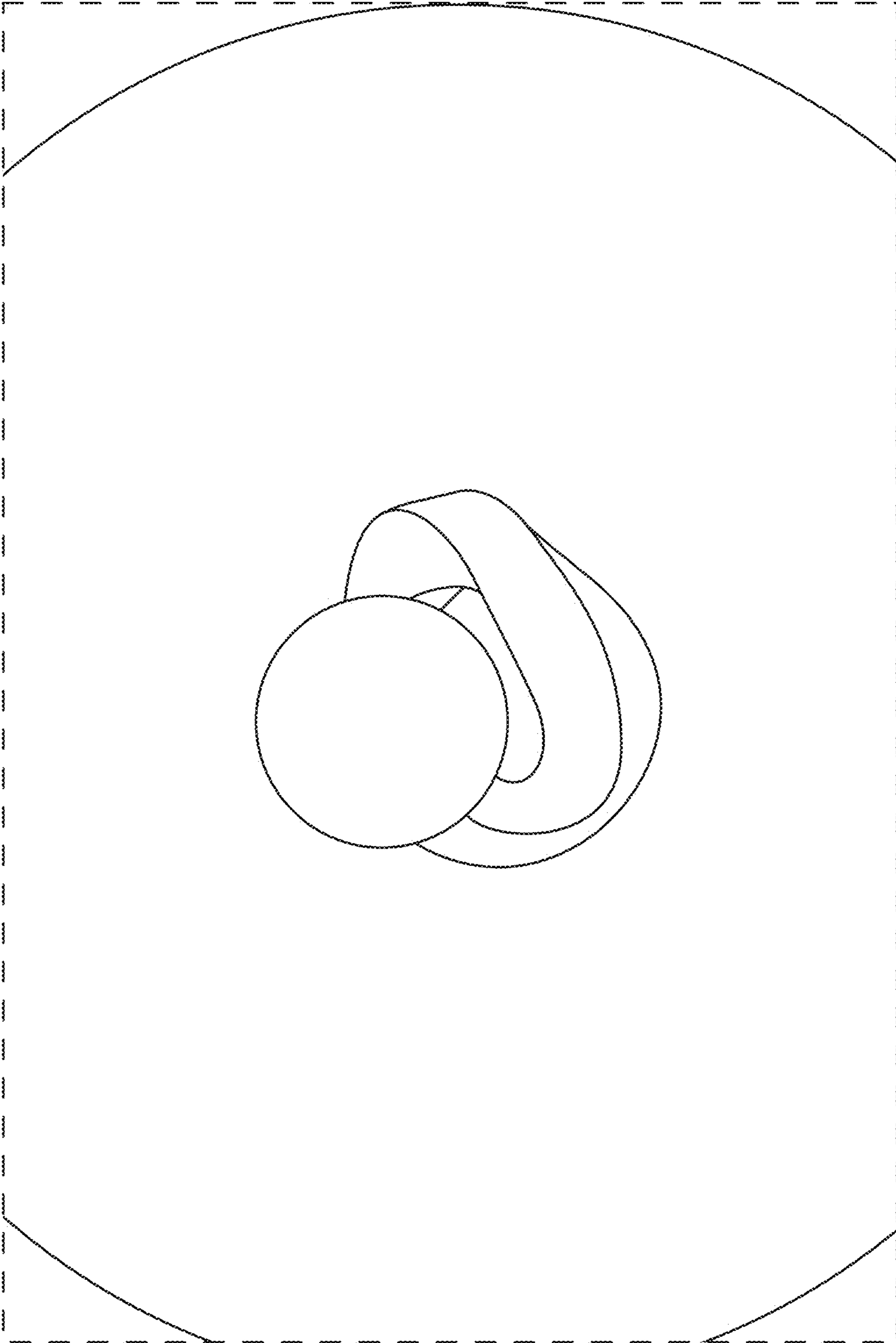


FIG. 10

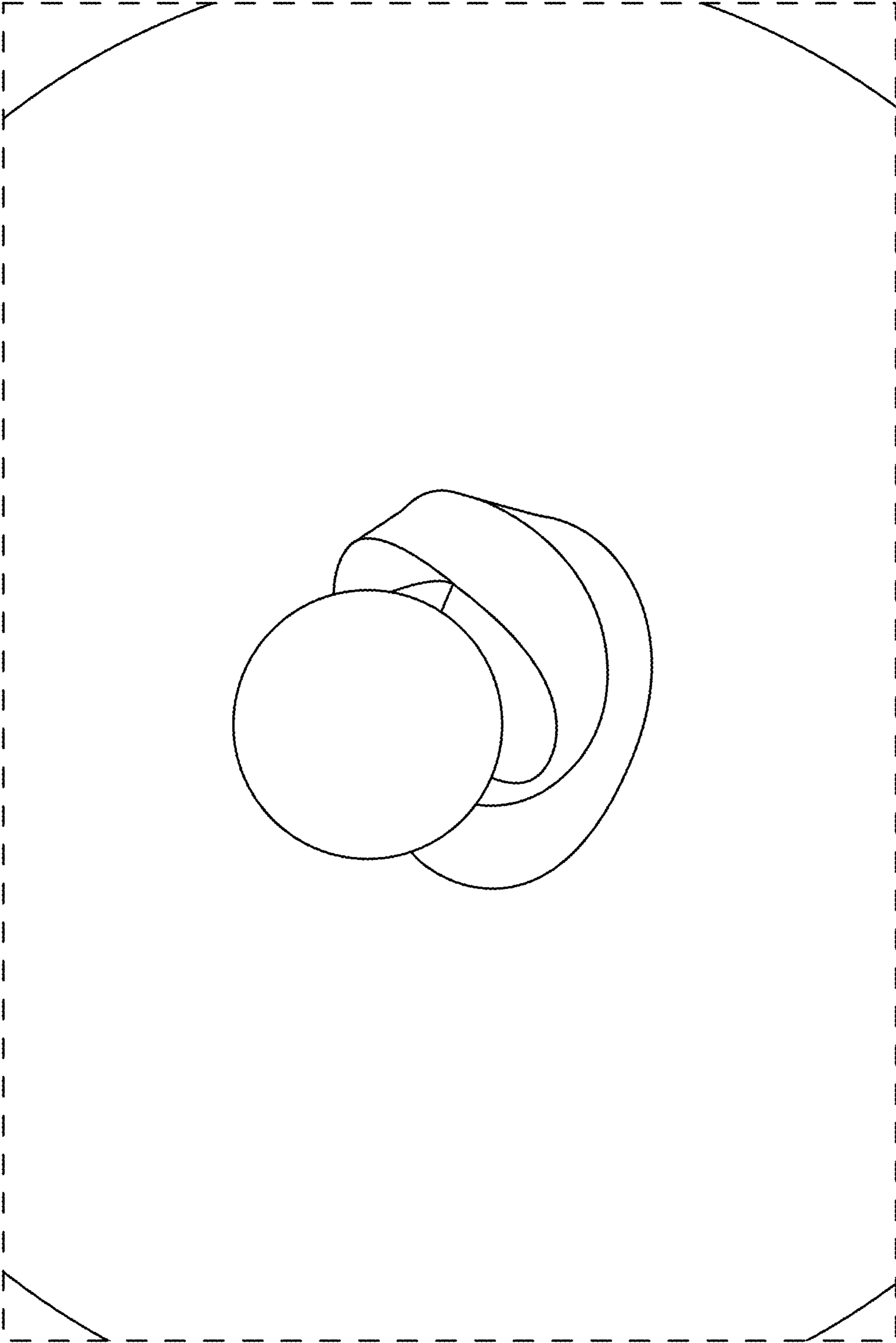


FIG. 11

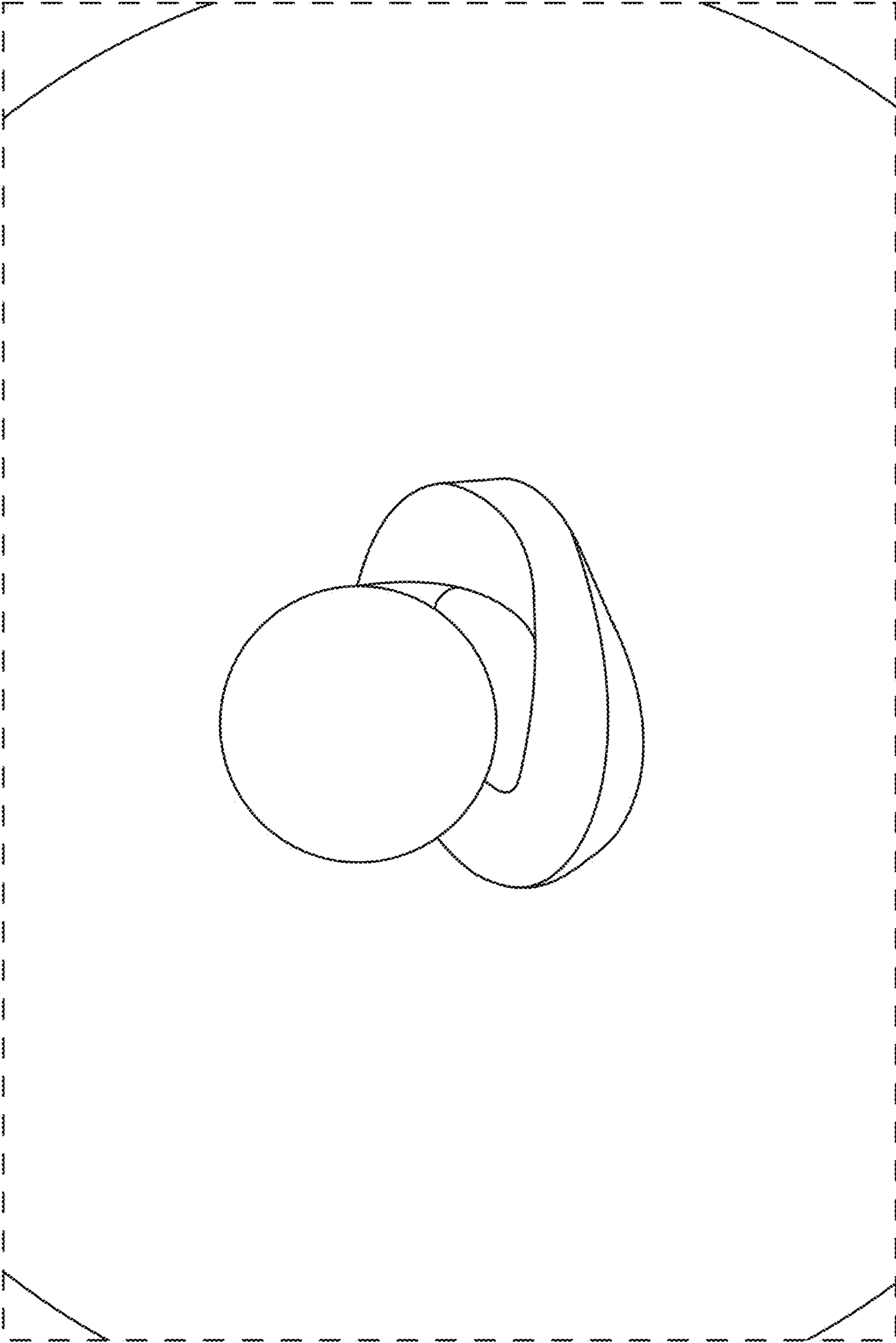


FIG. 12

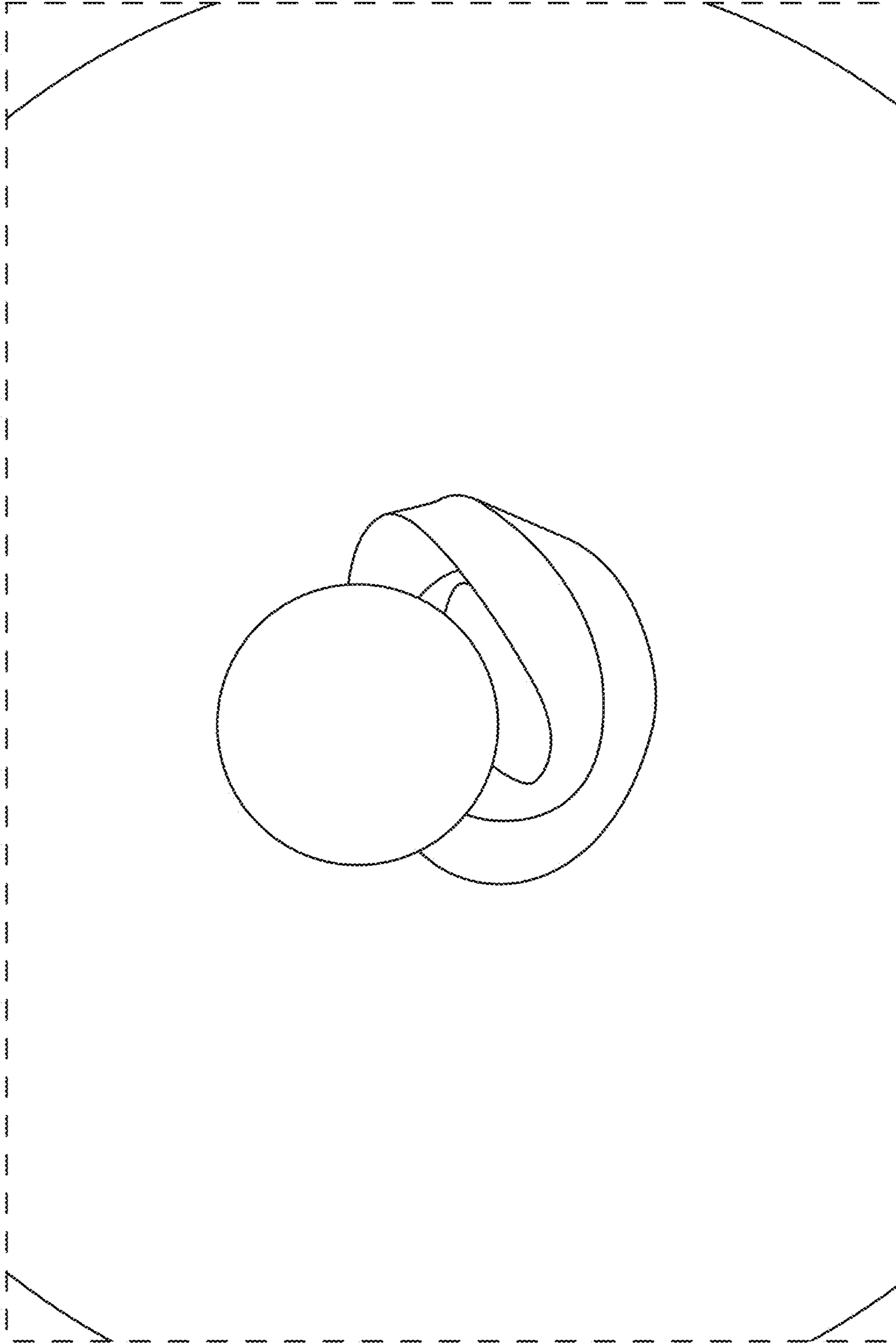


FIG. 13

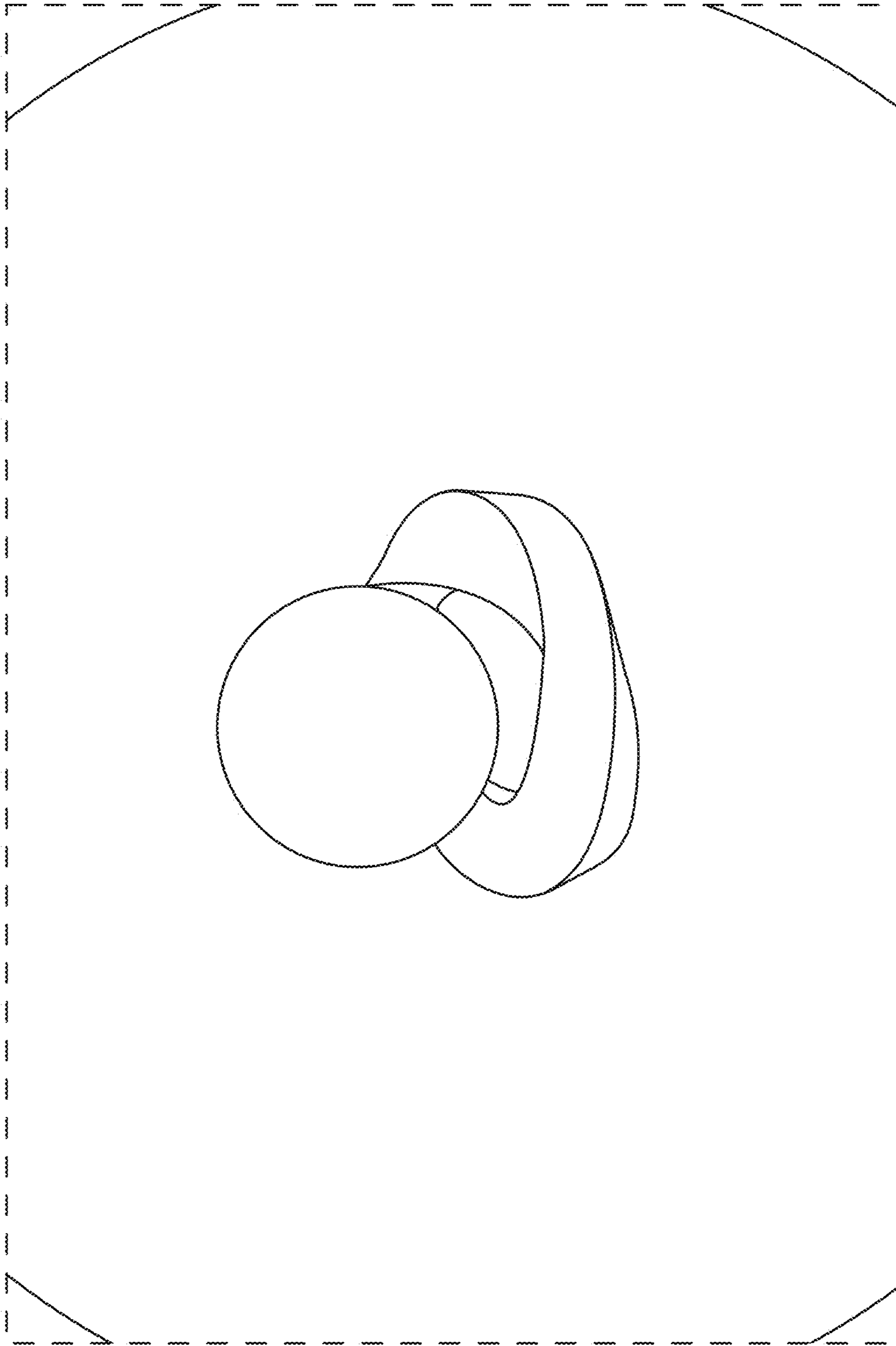


FIG. 14

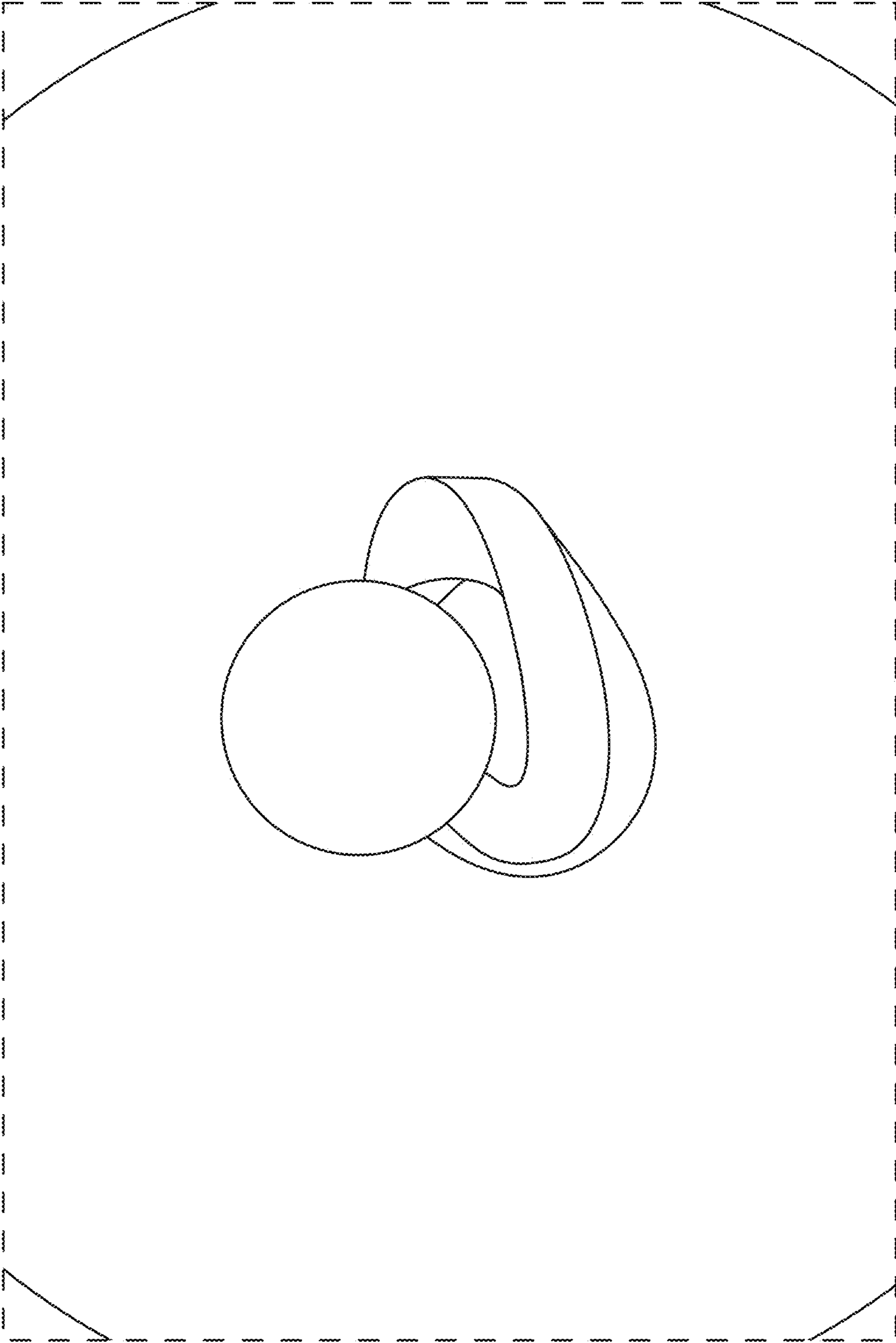


FIG. 15

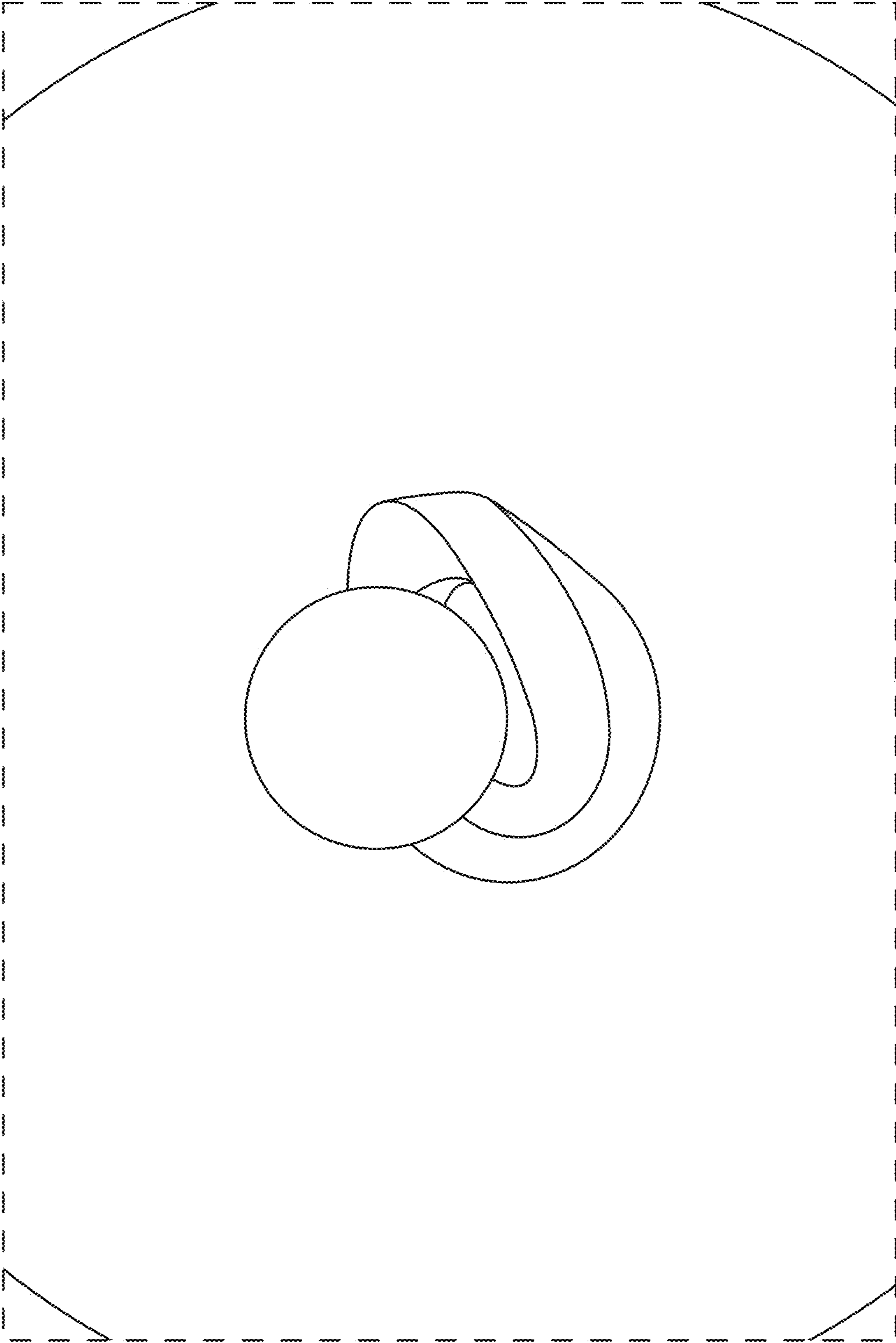


FIG. 16

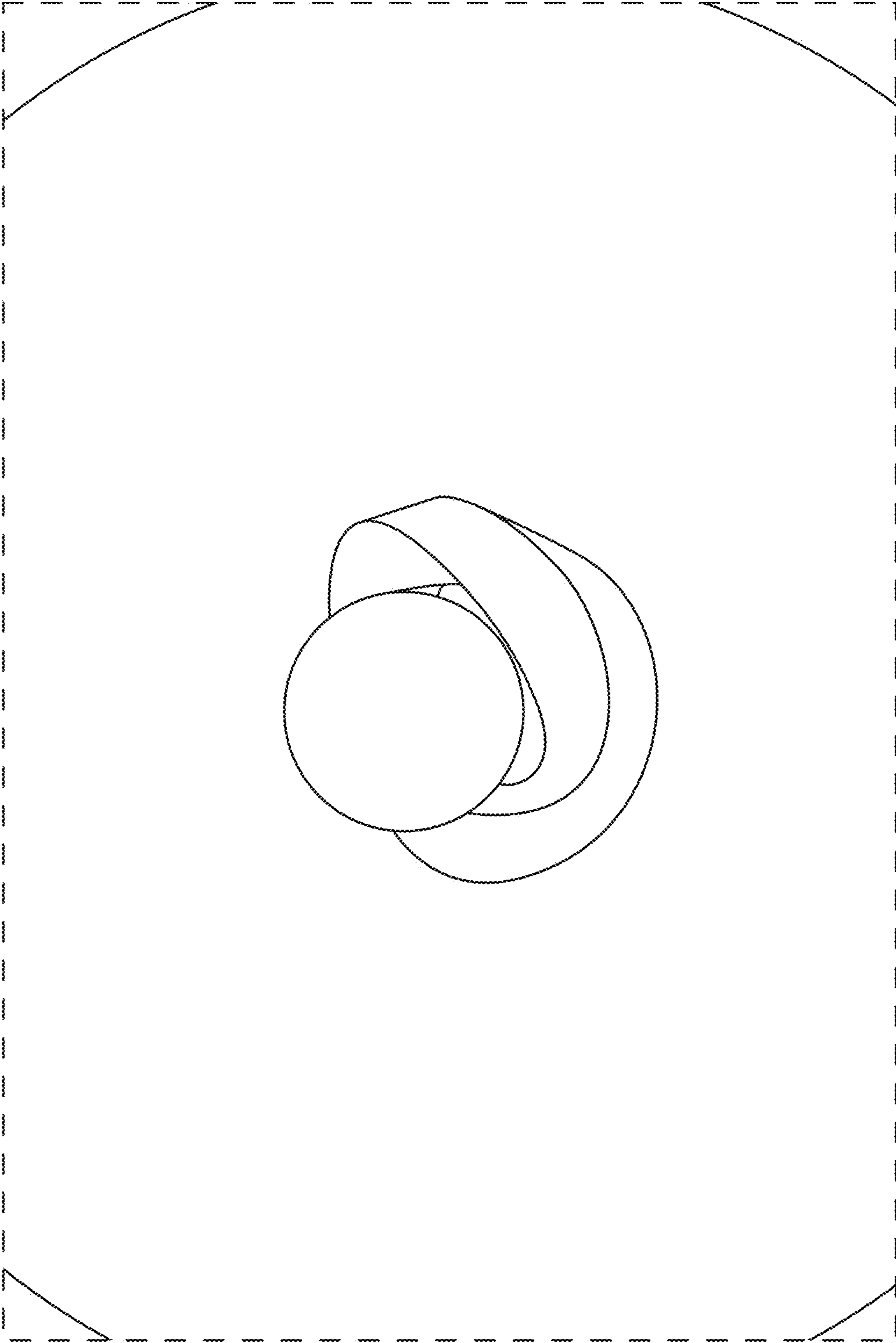


FIG. 17

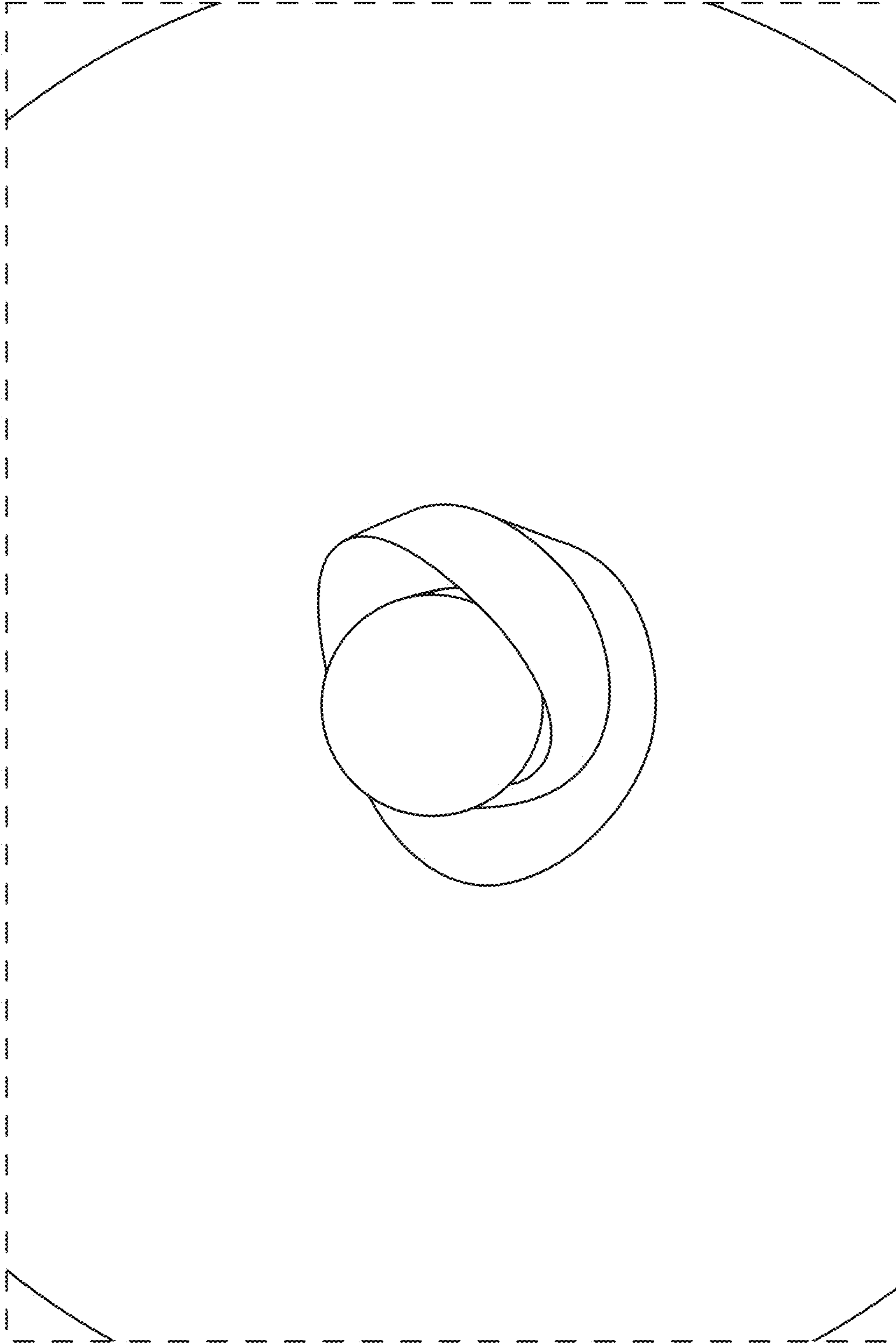


FIG. 18

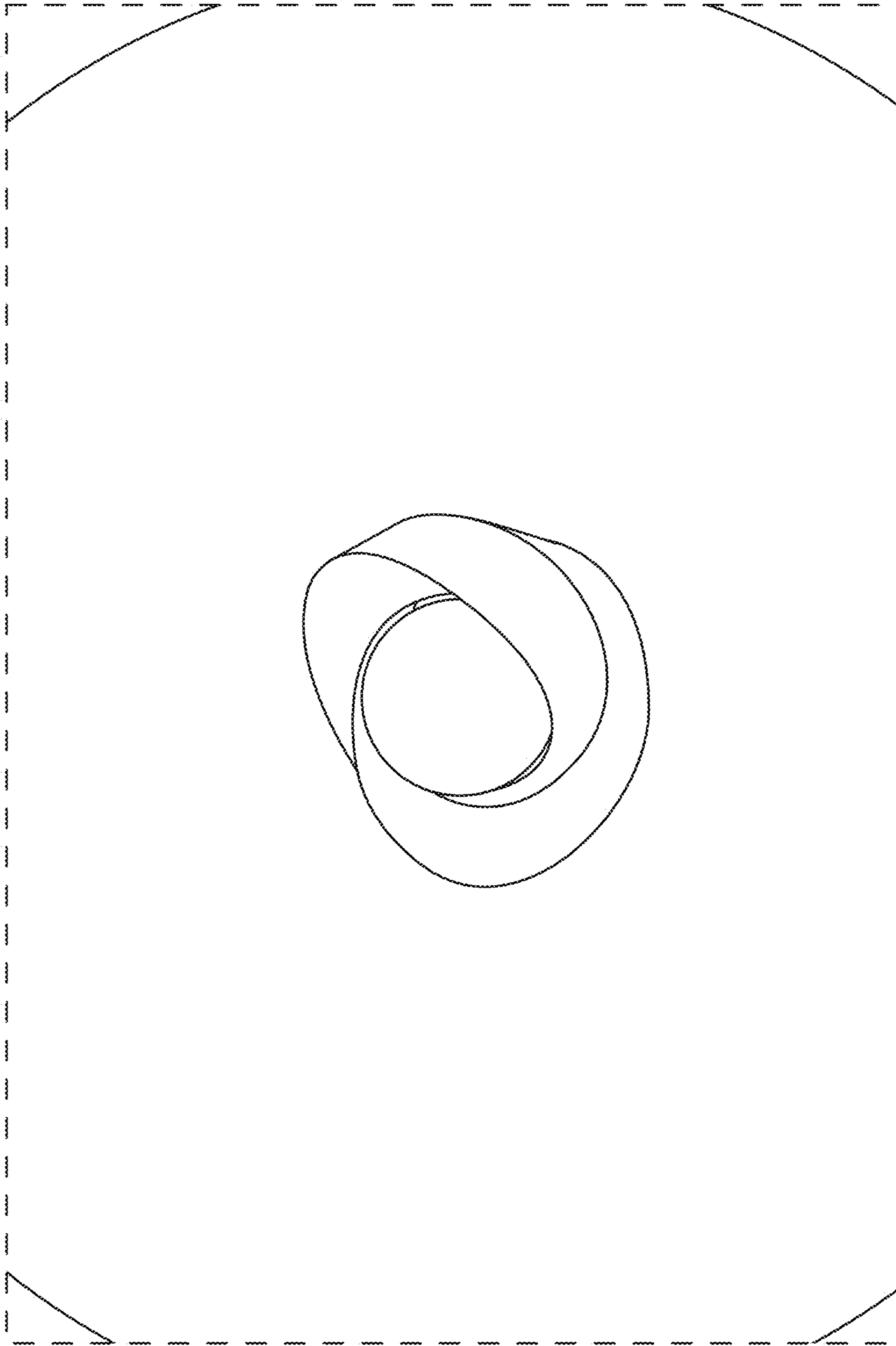


FIG. 19