



US00D891448S

(12) **United States Design Patent** (10) **Patent No.:** **US D891,448 S**  
**Graham et al.** (45) **Date of Patent:** **\*\* \*Jul. 28, 2020**

(54) **DISPLAY SCREEN PORTION WITH ANIMATED GRAPHICAL USER INTERFACE**

(71) Applicants: **Jamey Graham**, San Jose, CA (US);  
**Daniel Van Olst**, San Francisco, CA (US)

(72) Inventors: **Jamey Graham**, San Jose, CA (US);  
**Daniel Van Olst**, San Francisco, CA (US)

(73) Assignee: **RICOH COMPANY, LTD.**, Tokyo (JP)

(\*) Notice: This patent is subject to a terminal disclaimer.

(\*\*) Term: **15 Years**

(21) Appl. No.: **29/578,269**

(22) Filed: **Sep. 20, 2016**

**Related U.S. Application Data**

(62) Division of application No. 29/542,734, filed on Oct. 16, 2015, now Pat. No. Des. 804,492.

(51) **LOC (12) Cl.** ..... **14-04**

(52) **U.S. Cl.**  
USPC ..... **D14/486**; D14/488

(58) **Field of Classification Search**  
USPC ..... D14/485-495  
CPC ..... G10H 1/0008; G06F 17/30053; G06F 16/583; G06F 17/241; G06F 16/434; H04N 1/0044; H04N 21/478; H04N 1/00196

See application file for complete search history.

(56) **References Cited**

**U.S. PATENT DOCUMENTS**

D500,766 S *	1/2005	Hanisch	.....	D14/489
D524,321 S	7/2006	Hally		
D591,305 S *	4/2009	Shimoda	.....	D14/485
D593,107 S *	5/2009	Shimoda	.....	D14/485

(Continued)

*Primary Examiner* — Darlington Ly

*Assistant Examiner* — Katherine A Holbrow

(74) *Attorney, Agent, or Firm* — Blank Rome LLP

(57) **CLAIM**

The ornamental design for display screen portion with animated graphical user interface, as shown and described.

**DESCRIPTION**

FIG. 1 is a front view of a first image in a sequence for a display screen portion with animated graphical user interface according to a first embodiment of the new design;

FIG. 2 is a second image thereof;

FIG. 3 is a third image thereof;

FIG. 4 is a fourth image thereof;

FIG. 5 is a front view of a first image in a sequence for a display screen portion with animated graphical user interface according to a second embodiment of the new design;

FIG. 6 is a second image thereof;

FIG. 7 is a third image thereof; and,

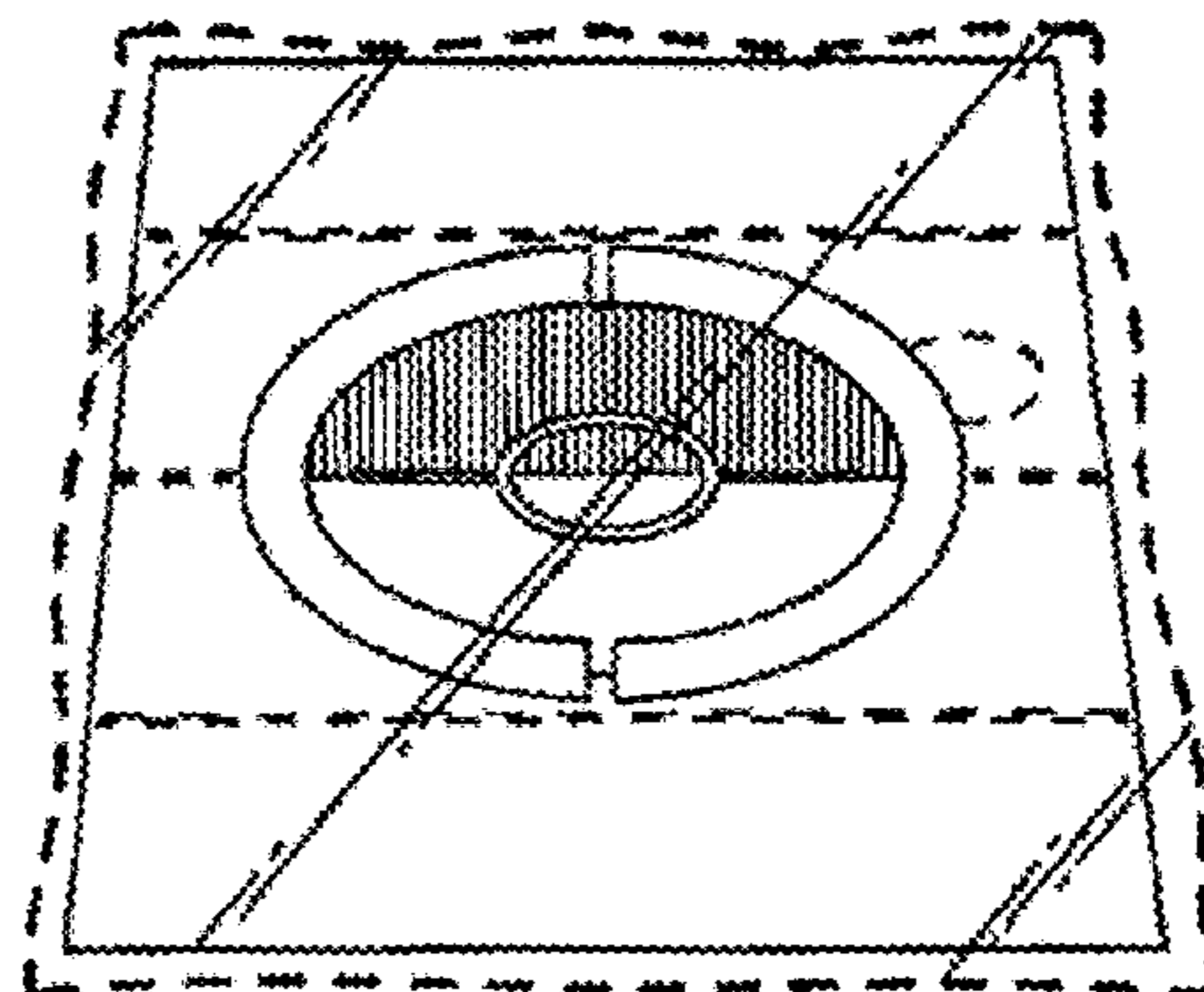
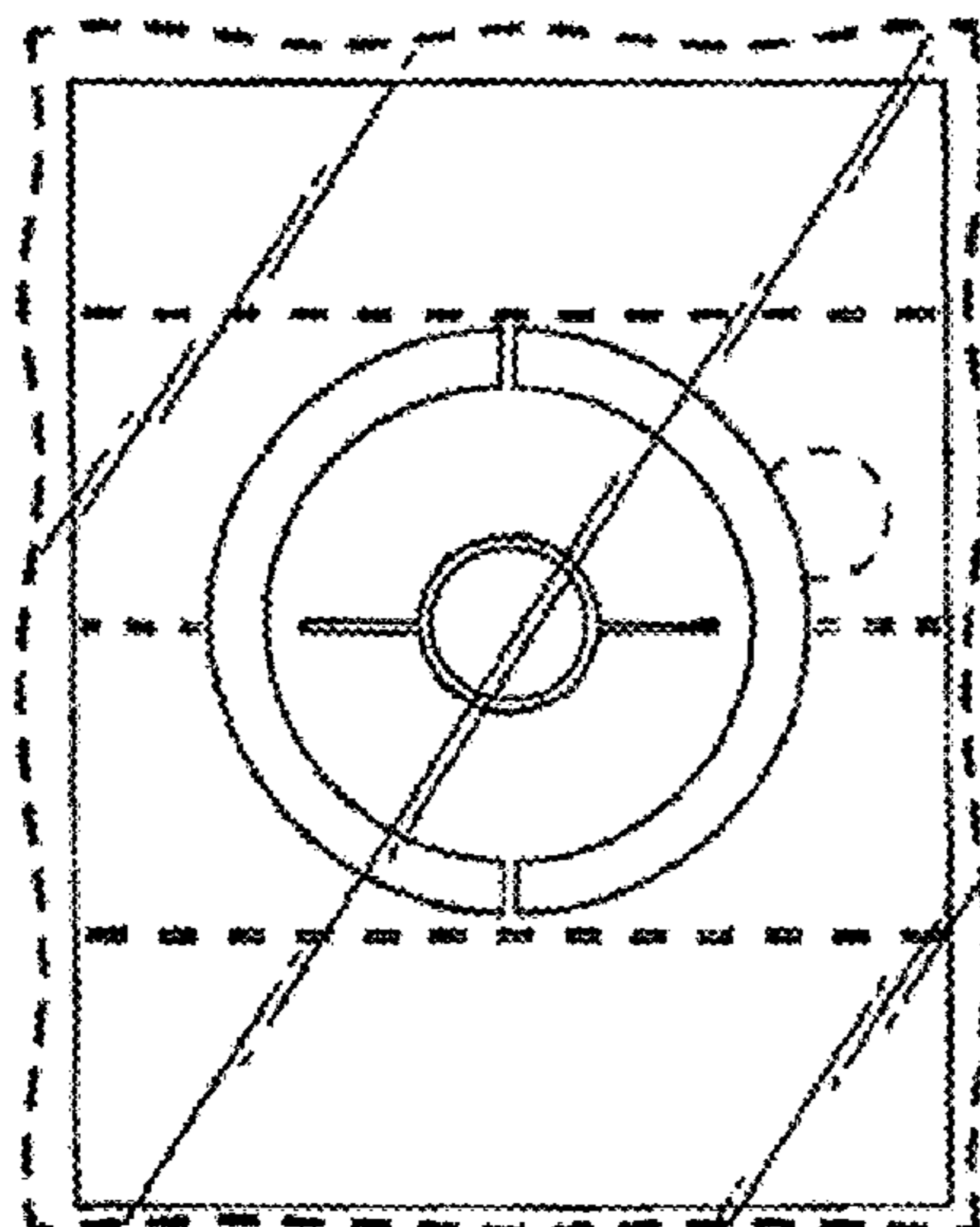
FIG. 8 is a fourth image thereof.

Hatching depicts a contrast in appearance.

In the first embodiment, the appearance of the transitional image sequentially transitions between the images shown in FIGS. 1-4. In the second embodiment, the appearance of the transitional image sequentially transitions between the images shown in FIGS. 5-8. The process or period in which one image transitions to another image forms no part of the claimed design.

In the figures, the outermost broken line showing the display screen, and all other broken lines showing portions of the graphical user interface, illustrates portions of the article and forms no part of the claimed design. The outermost broken line defines the bounds of the claimed design and form no part thereof.

**1 Claim, 2 Drawing Sheets**



(56)

References Cited

U.S. PATENT DOCUMENTS

D623,658 S 9/2010 Fitzmaurice  
 D624,933 S \* 10/2010 Fitzmaurice ..... D14/489  
 D625,327 S 10/2010 Fitzmaurice  
 D644,242 S \* 8/2011 Matas ..... D14/489  
 D644,656 S \* 9/2011 Maitlen ..... D14/489  
 D651,611 S \* 1/2012 Ouilhet ..... D14/489  
 D665,421 S \* 8/2012 Morrow ..... D14/492  
 D689,874 S \* 9/2013 Brinda ..... D14/485  
 D697,523 S 1/2014 Oda  
 D699,750 S \* 2/2014 Pearson ..... D14/488  
 D710,867 S \* 8/2014 Nies ..... D14/486  
 D721,088 S \* 1/2015 Barling ..... D14/485  
 D722,606 S \* 2/2015 Stroupe ..... D14/485  
 D724,618 S \* 3/2015 Shin ..... D14/487  
 D736,792 S 8/2015 Brinda  
 D740,302 S 10/2015 Son  
 D742,910 S \* 11/2015 Drozd ..... D14/485  
 D745,895 S 12/2015 Clare  
 D750,104 S 2/2016 Bates  
 D750,125 S \* 2/2016 Yang ..... D14/488  
 9,254,035 B2 2/2016 Epstein  
 D751,101 S \* 3/2016 Ito ..... D14/486  
 D751,584 S 3/2016 Nuovo  
 D752,065 S 3/2016 Moon  
 D752,066 S 3/2016 Moon  
 D752,067 S 3/2016 Moon  
 D752,152 S 3/2016 Kissoon

D752,618 S \* 3/2016 Lee ..... D14/486  
 D753,708 S \* 4/2016 Yang ..... G06F 3/04817  
 D14/488  
 D754,677 S \* 4/2016 Takizawa ..... D14/485  
 D756,377 S 5/2016 Connolly  
 D757,074 S 5/2016 Iwamoto  
 D757,753 S 5/2016 Jung  
 D757,774 S 5/2016 Iwamoto  
 D757,775 S 5/2016 Iwamoto  
 9,354,776 B1 5/2016 Subramanian  
 D759,078 S 6/2016 Iwamoto  
 D779,516 S \* 2/2017 Pierson ..... D14/486  
 D784,361 S \* 4/2017 Graham ..... D14/485  
 D788,166 S \* 5/2017 Hsu ..... D14/489  
 D799,498 S \* 10/2017 Graham ..... D14/485  
 D800,773 S \* 10/2017 Kim ..... D14/492  
 D804,492 S \* 12/2017 Graham ..... D14/485  
 D806,750 S \* 1/2018 Van Lancker ..... G06F 3/04815  
 D14/491  
 D819,667 S \* 6/2018 Hasaballah ..... D14/486  
 D819,668 S \* 6/2018 Hasaballah ..... D14/486  
 D824,925 S \* 8/2018 Guy ..... D14/485  
 D833,456 S \* 11/2018 Graham ..... D14/485  
 D839,897 S \* 2/2019 Graham ..... D14/486  
 D847,836 S \* 5/2019 Thoreson ..... D14/486  
 D852,821 S \* 7/2019 Anderson ..... D14/485  
 D870,738 S \* 12/2019 Robinson ..... D14/485  
 2005/0010955 A1 1/2005 Elia  
 2010/0118037 A1 5/2010 Sheikh  
 2012/0185773 A1 7/2012 Wang

\* cited by examiner

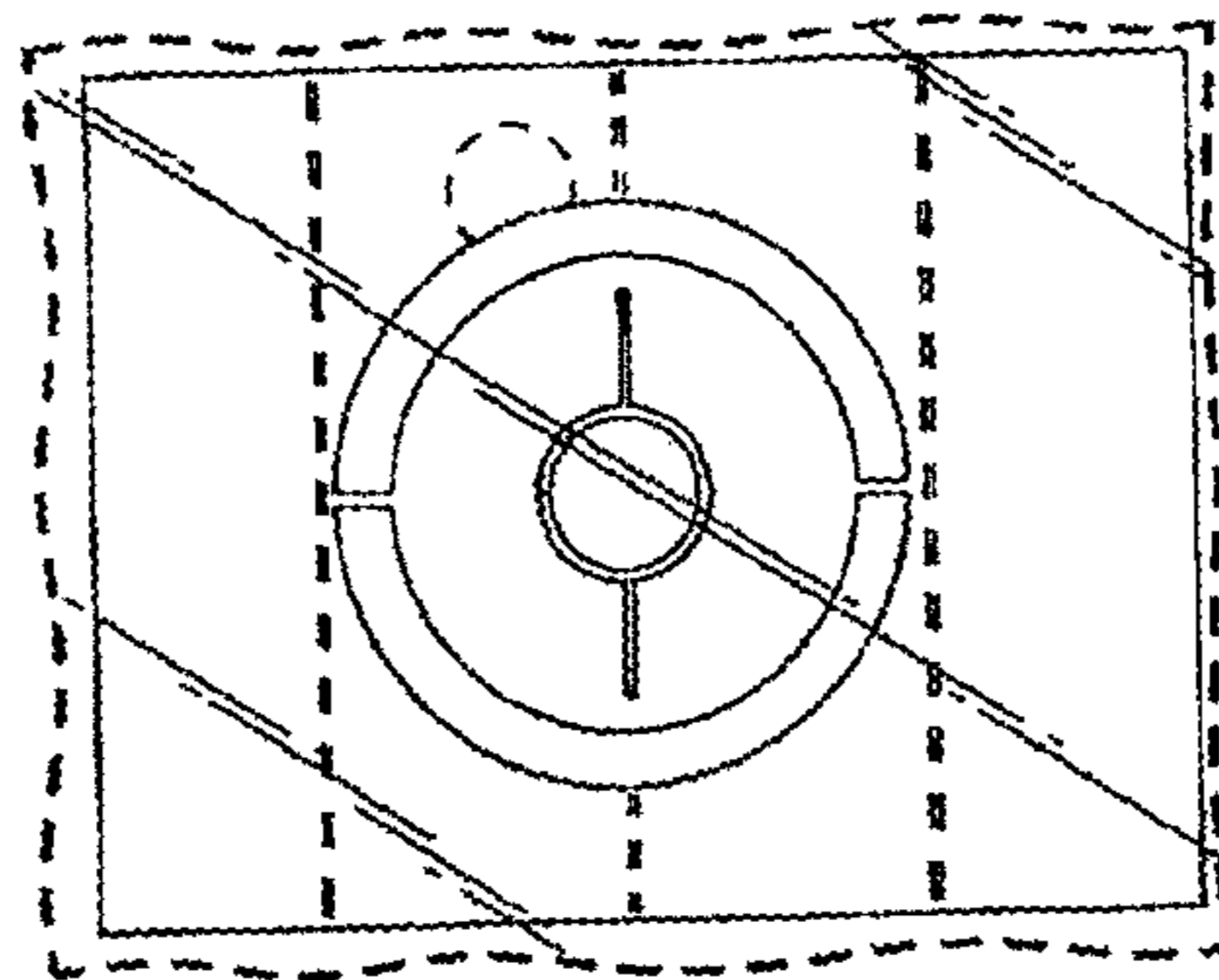


FIG. 1

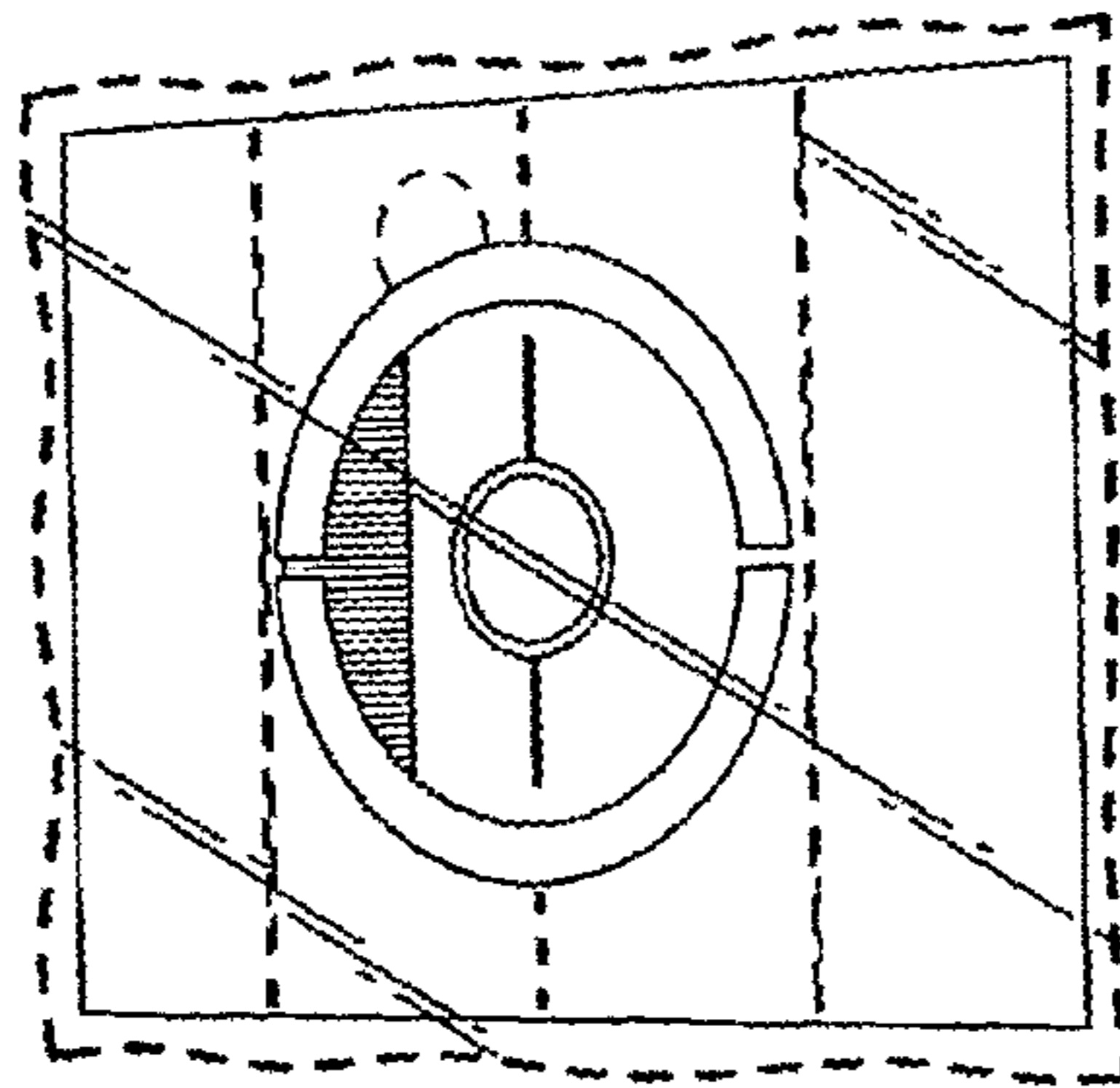


FIG. 2

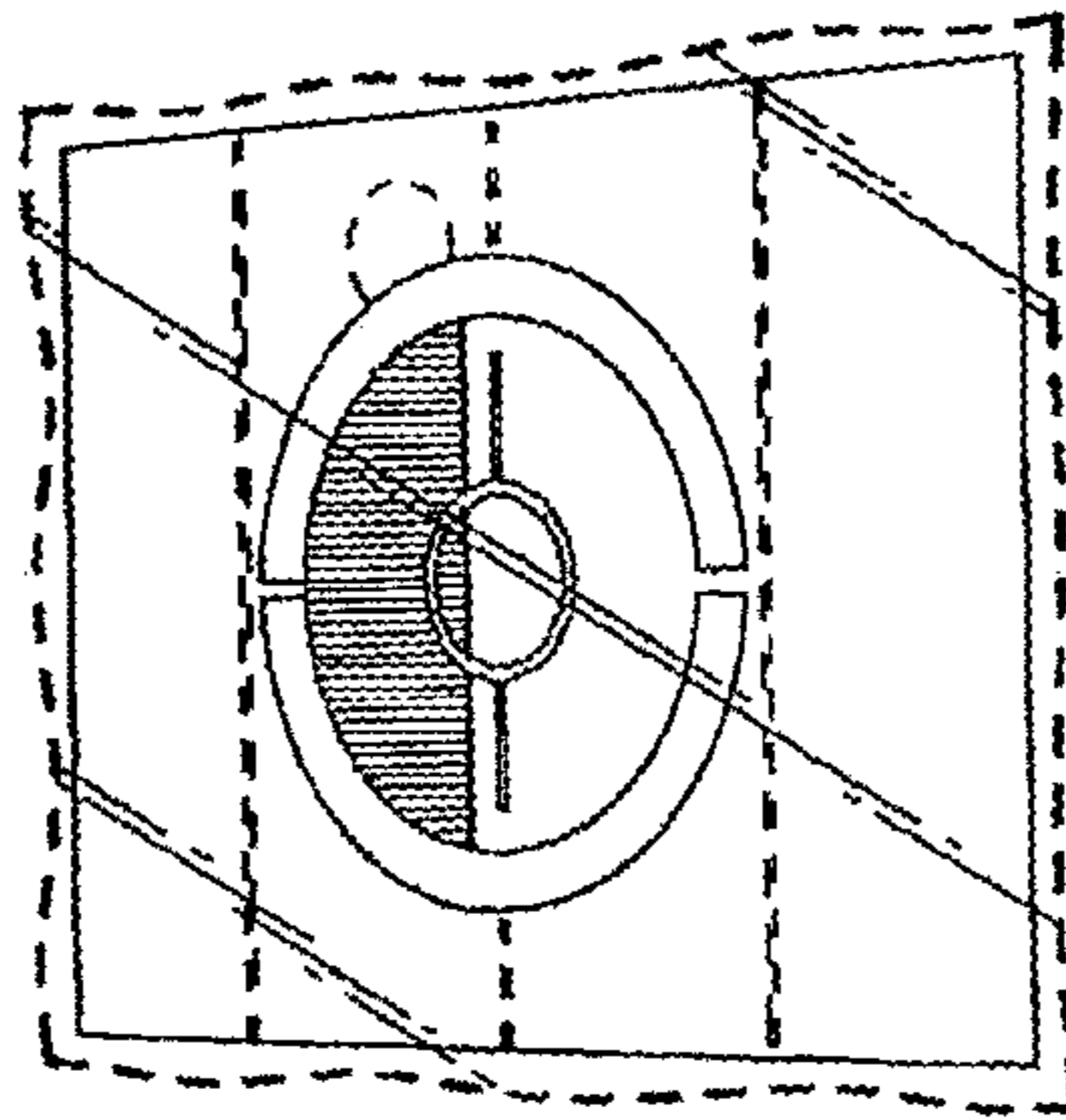


FIG. 3

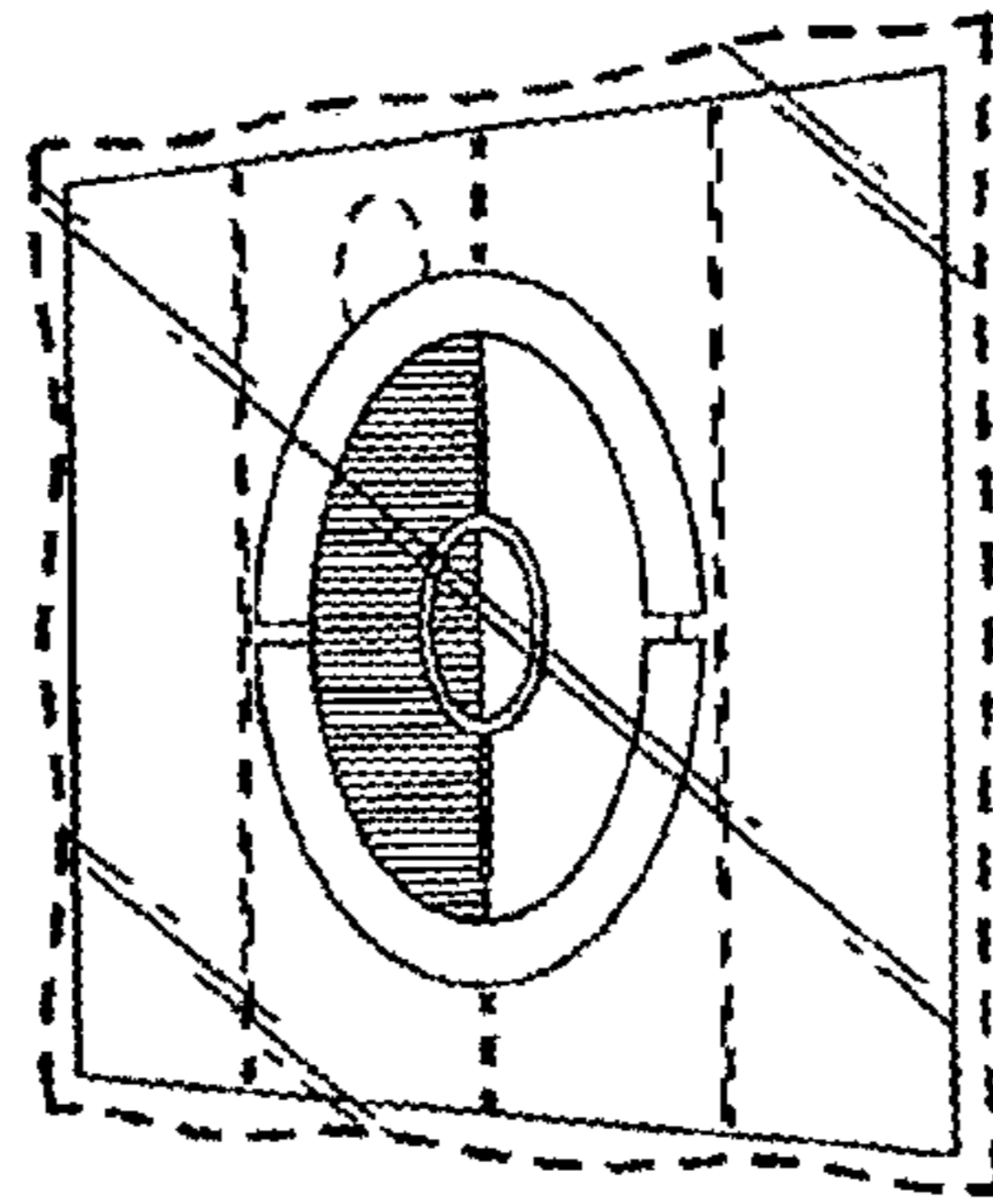


FIG. 4

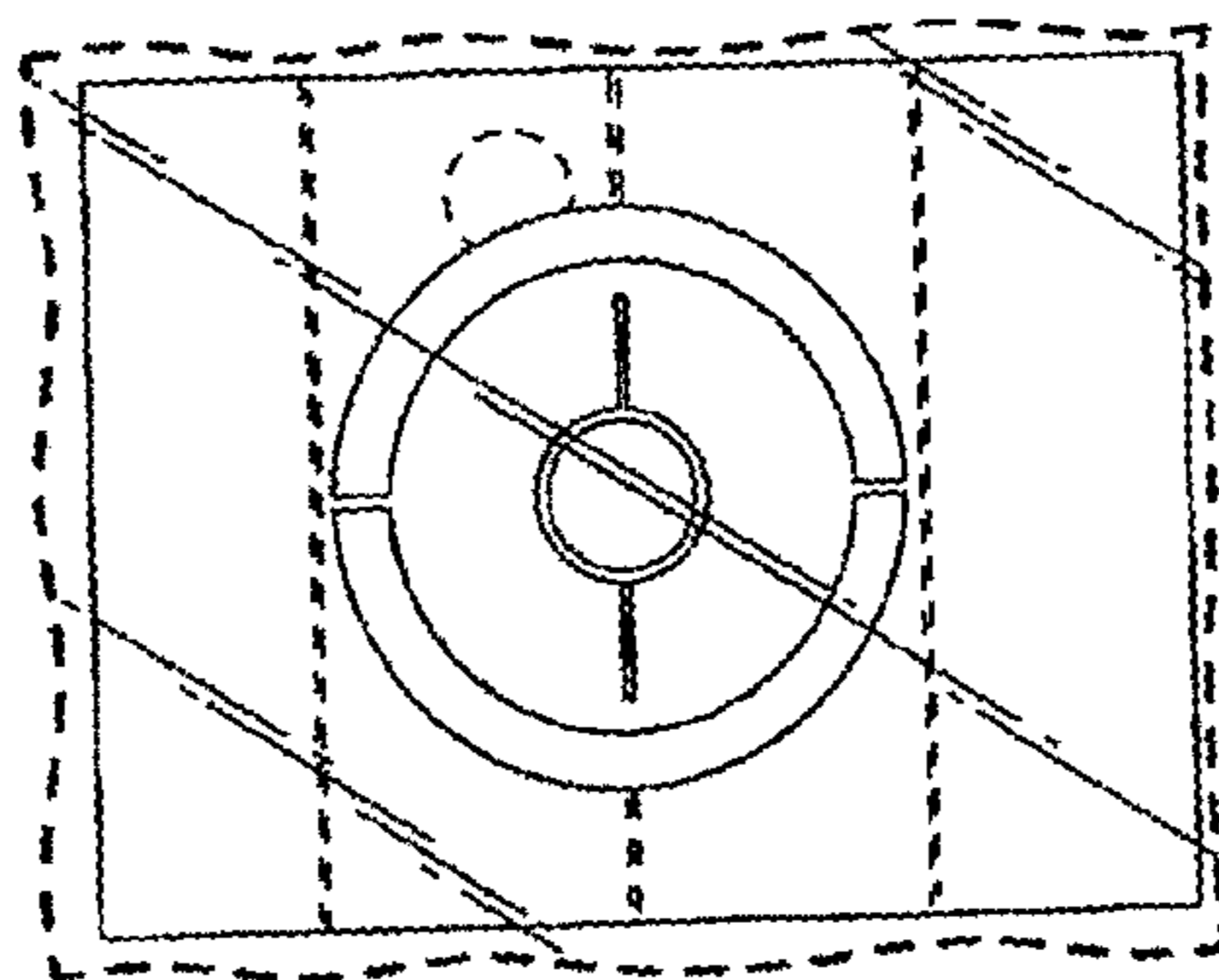


FIG. 5

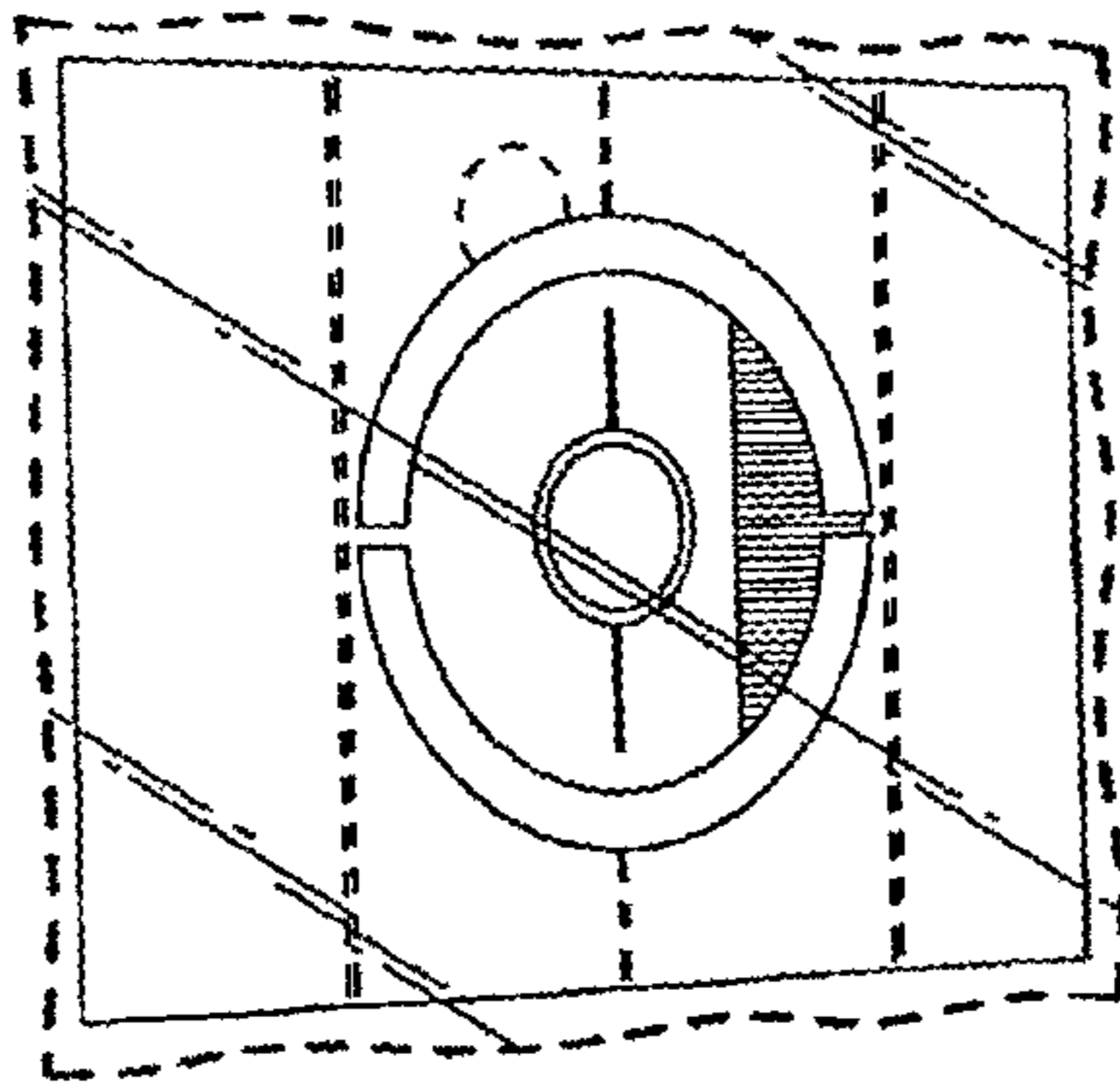


FIG. 6

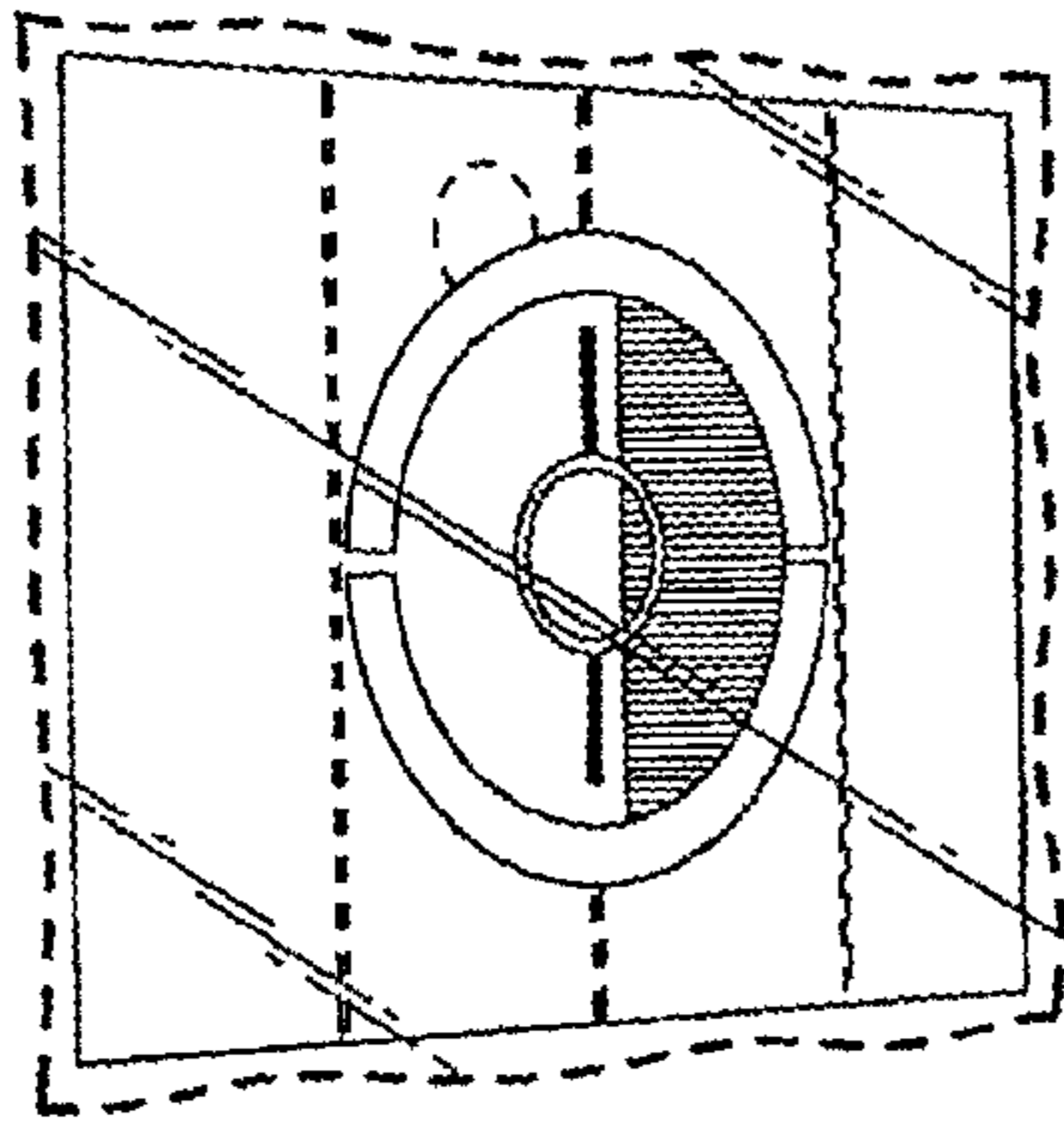


FIG. 7

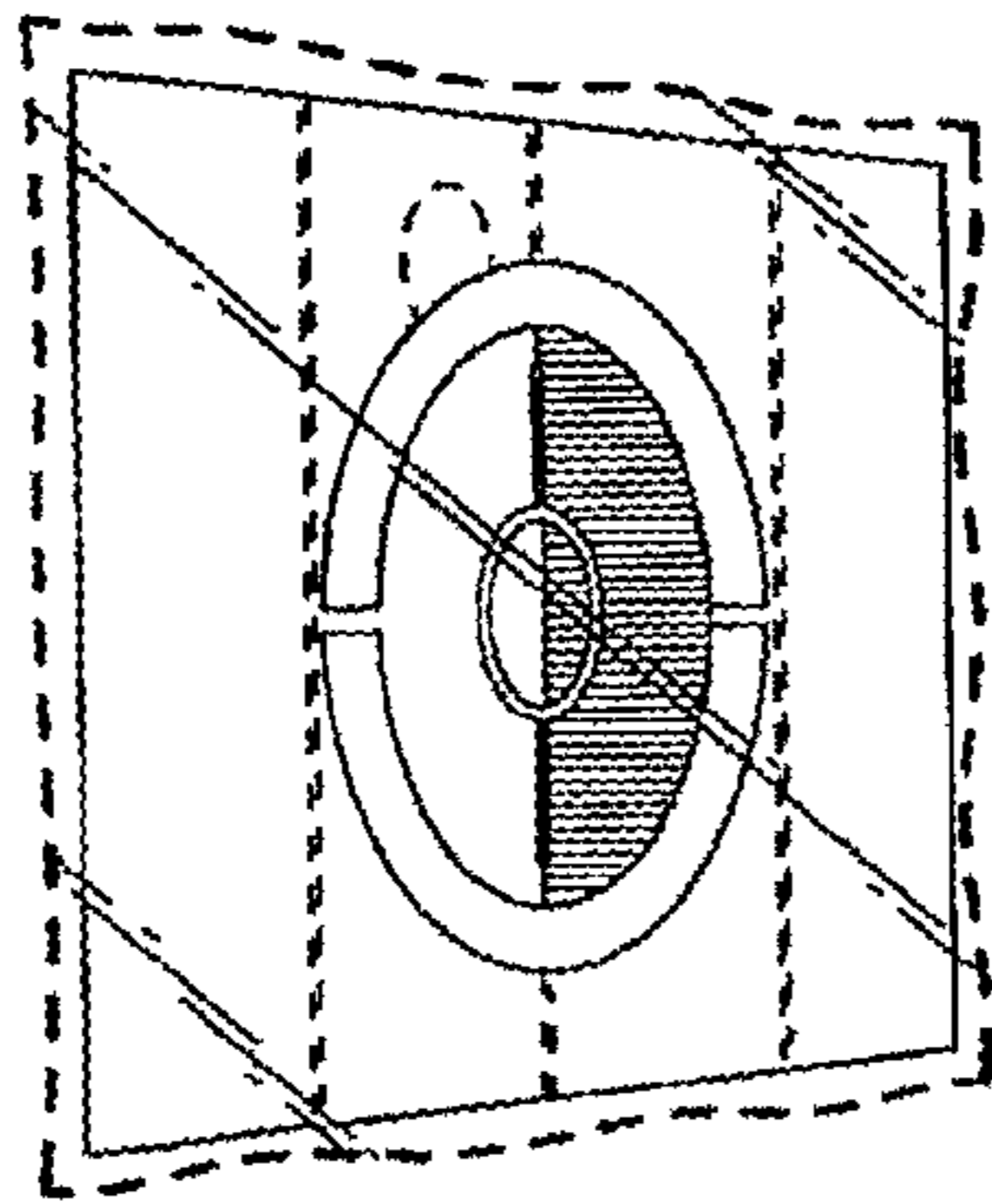


FIG. 8