

US00D891440S

(12) **United States Design Patent**  
**Kim et al.**

(10) **Patent No.:** **US D891,440 S**  
(45) **Date of Patent:** **\*\* Jul. 28, 2020**

(54) **DISPLAY SCREEN OR PORTION THEREOF WITH TRANSITIONAL GRAPHICAL USER INTERFACE**

(71) Applicant: **Samsung Electronics Co., Ltd.**,  
Suwon-si (KR)

(72) Inventors: **Kyung-Jin Kim**, Seoul (KR); **Mi-Ra Yu**, Seoul (KR); **Jean-Christophe Naour**, Ahnyang-si (KR); **Woo-Seok Hwang**, Seoul (KR)

(73) Assignee: **Samsung Electronics Co., Ltd.**,  
Suwon-si (KR)

(\*\*) Term: **15 Years**

(21) Appl. No.: **29/637,664**

(22) Filed: **Feb. 21, 2018**

(30) **Foreign Application Priority Data**

Aug. 30, 2017 (KR) ..... 30-2017-0040524

(51) **LOC (12) Cl.** ..... **14-04**

(52) **U.S. Cl.**  
USPC ..... **D14/485**

(58) **Field of Classification Search**  
USPC ..... D14/485-488, 489-495  
(Continued)

(56) **References Cited**

**U.S. PATENT DOCUMENTS**

D549,715 S \* 8/2007 Moody ..... D14/485  
D612,861 S \* 3/2010 Lee ..... D14/485  
(Continued)

**FOREIGN PATENT DOCUMENTS**

EM 001377162-0004 8/2013  
EM 001392989-0001 1/2014  
(Continued)

**OTHER PUBLICATIONS**

Admin. "Drop-Down Menus in HTML and CSS." CodeMahal, posted Mar. 8, 2016 (Retrieved from the Internet Jun. 6, 2019). Internet URL: < <https://www.codemahal.com/video/drop-down-menus-in-html-and-css/> > (Year: 2016).\*

*Primary Examiner* — Jack Reickel

*Assistant Examiner* — Rachel A Voorhies

(74) *Attorney, Agent, or Firm* — NSIP Law

(57) **CLAIM**

We claim the ornamental design for a display screen or portion thereof with transitional graphical user interface, as shown and described.

**DESCRIPTION**

FIG. 1 is a first image of a display screen or portion thereof with transitional graphical user interface showing our new design;

FIG. 2 is a second image thereof;

FIG. 3 is a third image thereof;

FIG. 4 is a fourth image thereof;

FIG. 5 is a fifth image thereof;

FIG. 6 is a sixth image thereof;

FIG. 7 is a seventh image thereof;

FIG. 8 is an eighth image thereof;

FIG. 9 is an enlarged view of the encircled portion shown in FIG. 1;

FIG. 10 is an enlarged view of the encircled portion shown in FIG. 2;

FIG. 11 is an enlarged view of the encircled portion shown in FIG. 3;

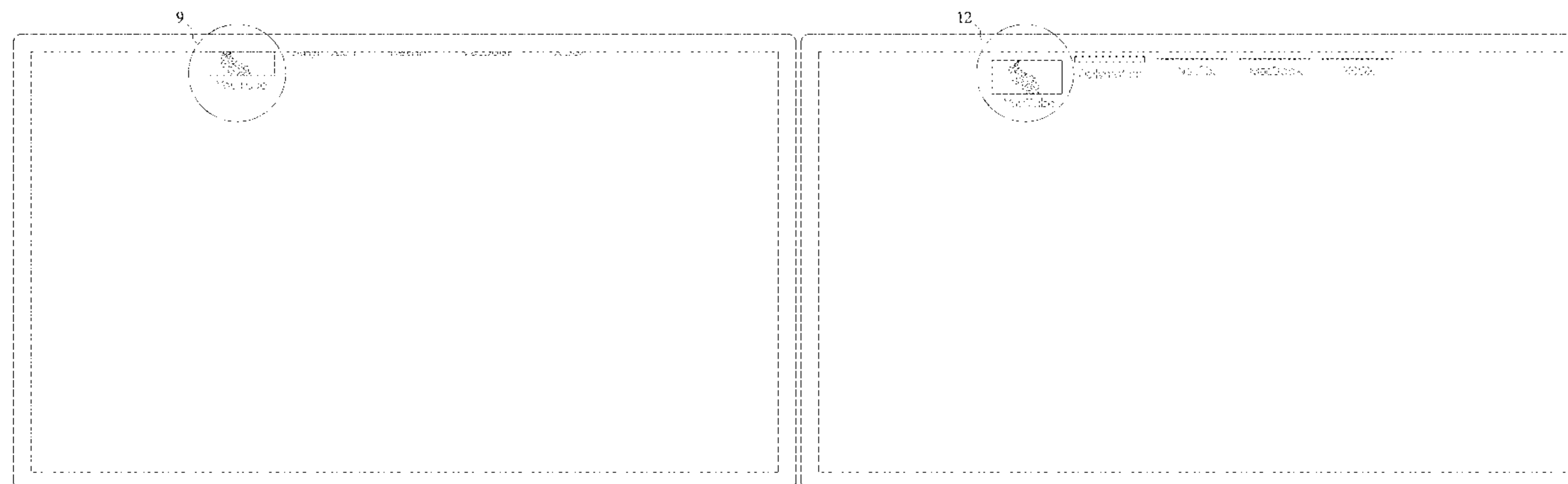
FIG. 12 is an enlarged view of the encircled portion shown in FIG. 4;

FIG. 13 is an enlarged view of the encircled portion shown in FIG. 5; and,

FIG. 14 is an enlarged view of the encircled portion shown in FIG. 6.

The outer perimeter shown in a pair of dashed broken lines in the drawings represents a display screen or portion thereof and forms no part of the claimed design. The remaining

(Continued)



dashed broken lines in the drawings illustrate portions of the transitional graphical user interface that form no part of the claimed design.

The subject matter depicted in broken lines within the left-most rectangular box in FIGS. 1 through 6 forms no part of the claimed design.

The dot-dash broken lines encircling portions of the display screen or portion thereof with transitional graphical user interface shown in enlargements form no part of the claimed design.

The appearance of the transitional image sequentially transitions between the images shown in FIGS. 1 through 8. The process or period in which one image transitions to another image forms no part of the claimed design.

Any trademarks or copyrights shown in broken lines in the drawing figures are the property of their respective owners and form no part of the claimed design.

**1 Claim, 14 Drawing Sheets**

(58) **Field of Classification Search**

CPC ..... G06T 13/80; G06T 15/02; H04L 12/2631;  
H04L 43/045; H04L 41/22; G01C 21/36

See application file for complete search history.

(56) **References Cited**

U.S. PATENT DOCUMENTS

- D668,672 S \* 10/2012 Chaudhri ..... D14/489
- D669,486 S \* 10/2012 Garn ..... D14/485

- D689,082 S \* 9/2013 Stiffler ..... D14/486
- D689,085 S \* 9/2013 Pasceri ..... D14/486
- D766,924 S \* 9/2016 Wang ..... D14/485
- D772,251 S \* 11/2016 Chaudhri ..... D14/485
- D773,527 S \* 12/2016 Butcher ..... D14/488
- D774,053 S \* 12/2016 Kim ..... D14/485
- D775,141 S \* 12/2016 Chaplin ..... D14/485
- D778,289 S \* 2/2017 Kisselev ..... D14/485
- D786,919 S \* 5/2017 Bae ..... D14/488
- D794,066 S \* 8/2017 Hiramatsu ..... D14/488
- D797,121 S \* 9/2017 Tegethoff ..... D14/485
- D805,539 S \* 12/2017 Kim ..... D14/486
- D811,418 S \* 2/2018 Sun ..... D14/485
- D820,848 S \* 6/2018 Kondo ..... D14/485
- D824,412 S \* 7/2018 Anzures ..... D14/486
- D826,954 S \* 8/2018 Wang ..... D14/485
- D831,672 S \* 10/2018 Spector ..... D14/485
- D832,283 S \* 10/2018 Tellis ..... D14/485
- D842,322 S \* 3/2019 Torrento ..... D14/486
- D844,659 S \* 4/2019 Ball ..... D14/488
- D845,982 S \* 4/2019 Scott ..... D14/486
- D845,989 S \* 4/2019 Scott ..... D14/487
- D846,586 S \* 4/2019 Kim ..... D14/487
- D848,468 S \* 5/2019 Ng ..... D14/486
- D850,478 S \* 6/2019 Kim ..... D14/486
- 2016/0132465 A1 \* 5/2016 Marks ..... G06F 17/212  
715/235

FOREIGN PATENT DOCUMENTS

- EM 002676429-0002 4/2015
- EM 001445639-0057 4/2016
- KR 30-2008-0018342 11/2008

\* cited by examiner

FIG. 1

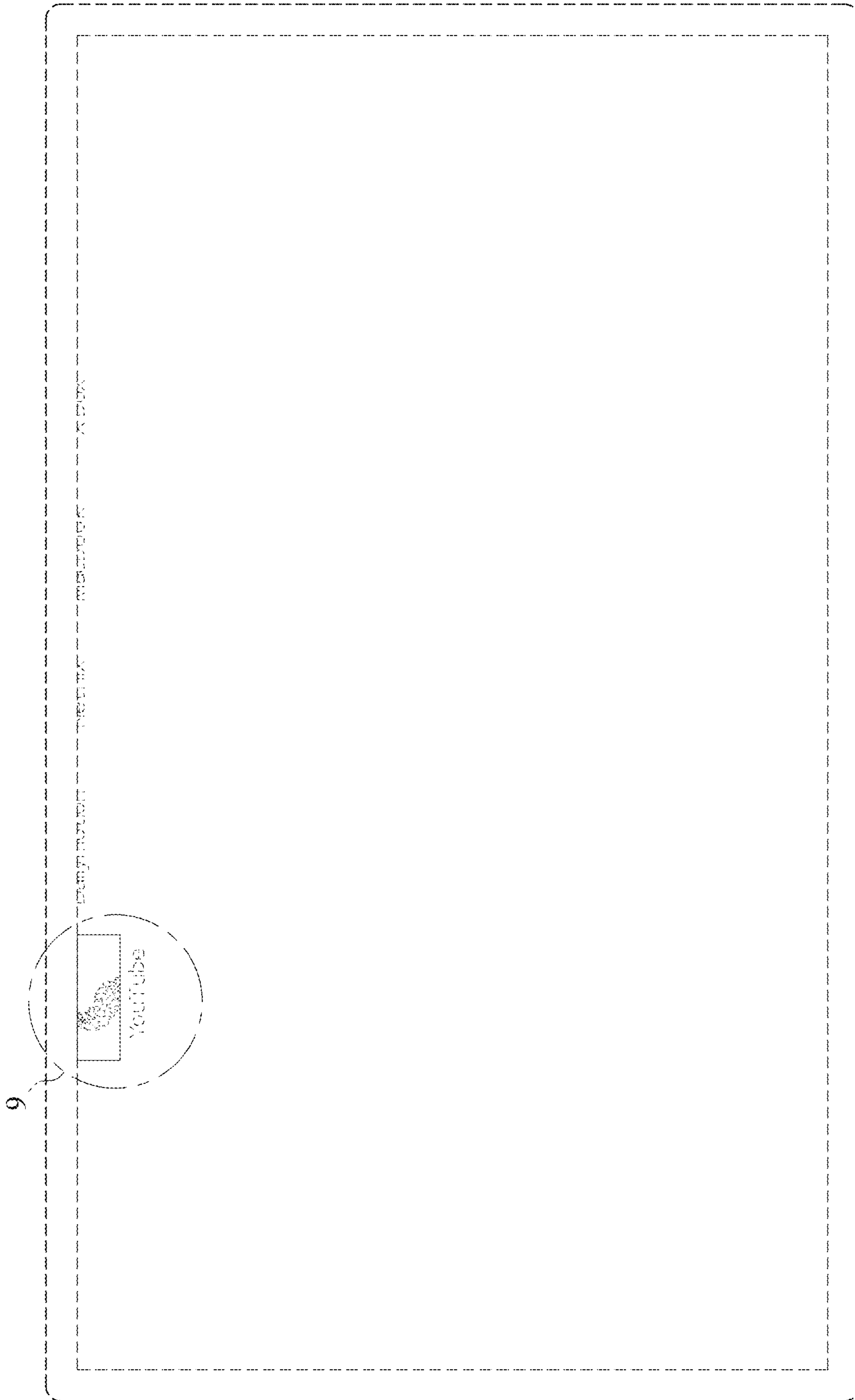


FIG. 2

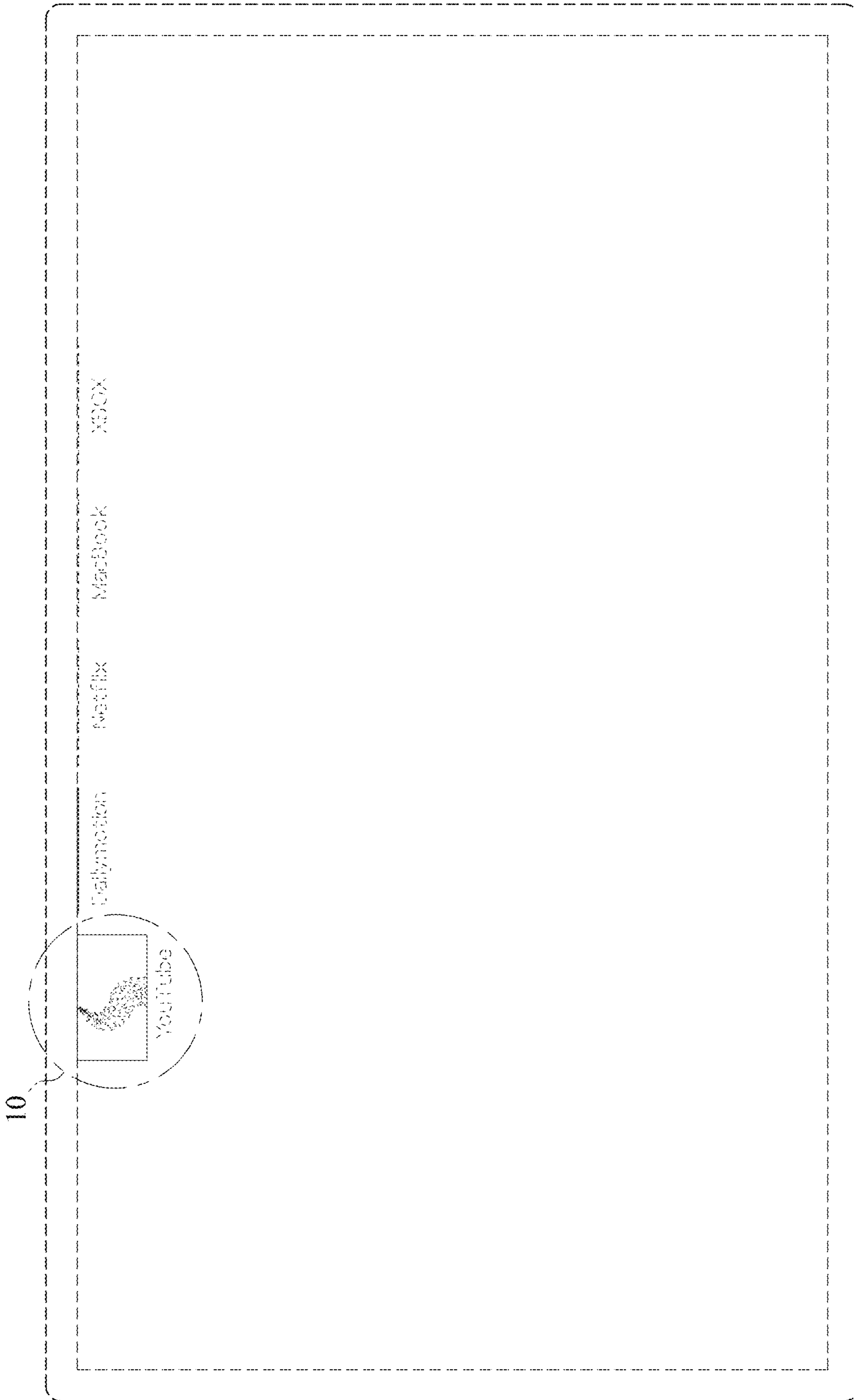


FIG. 3

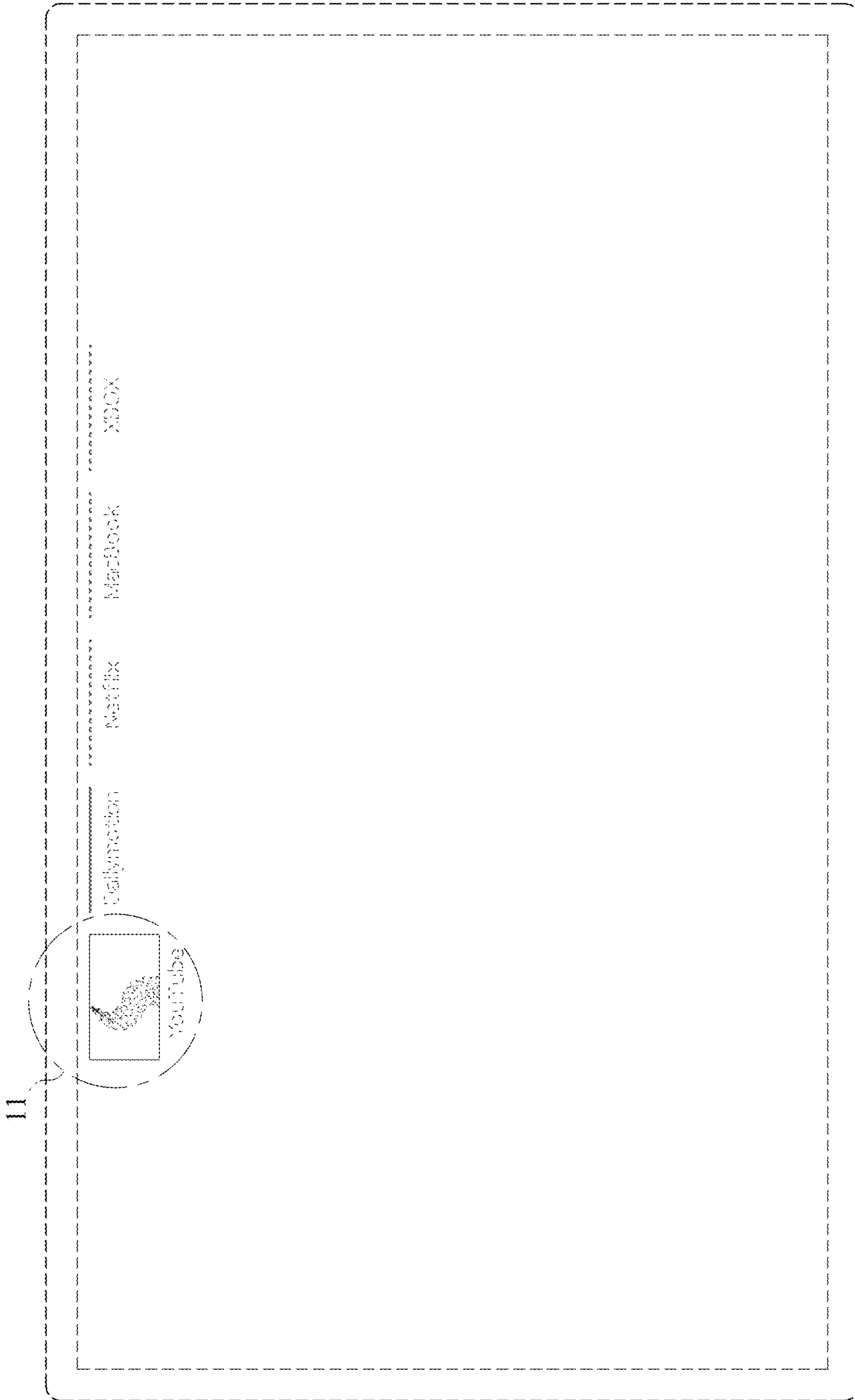


FIG. 4

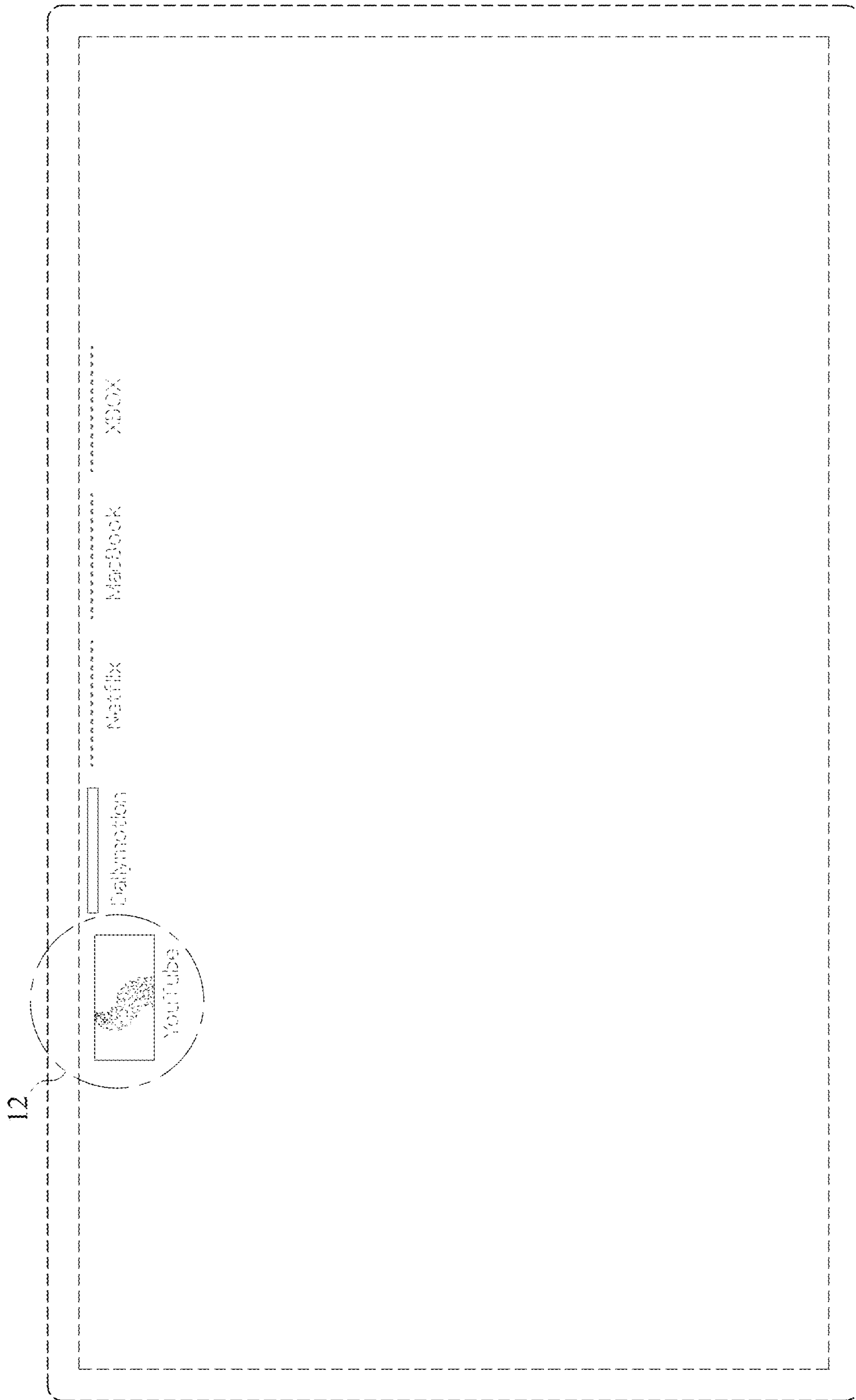


FIG. 5

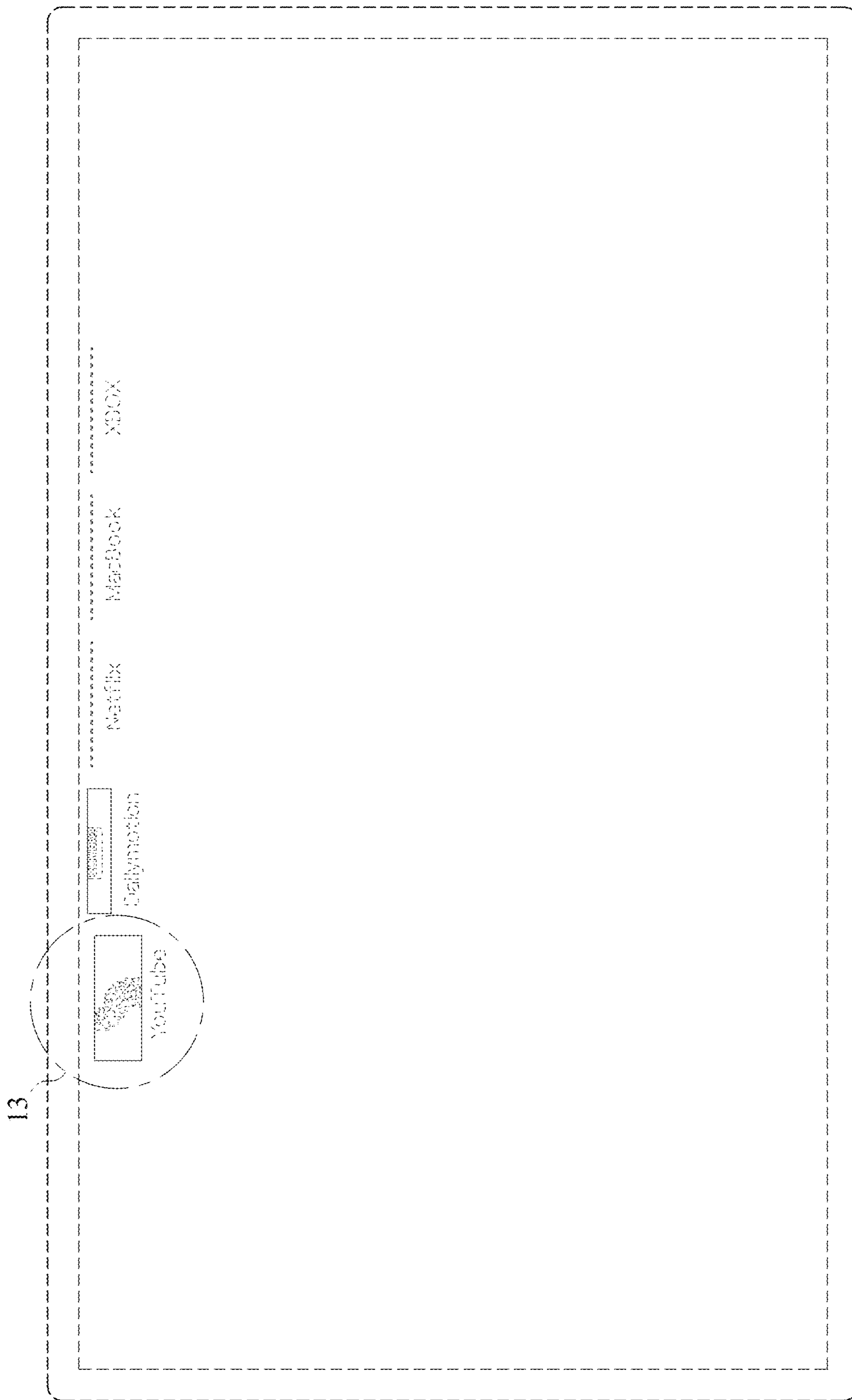


FIG. 6

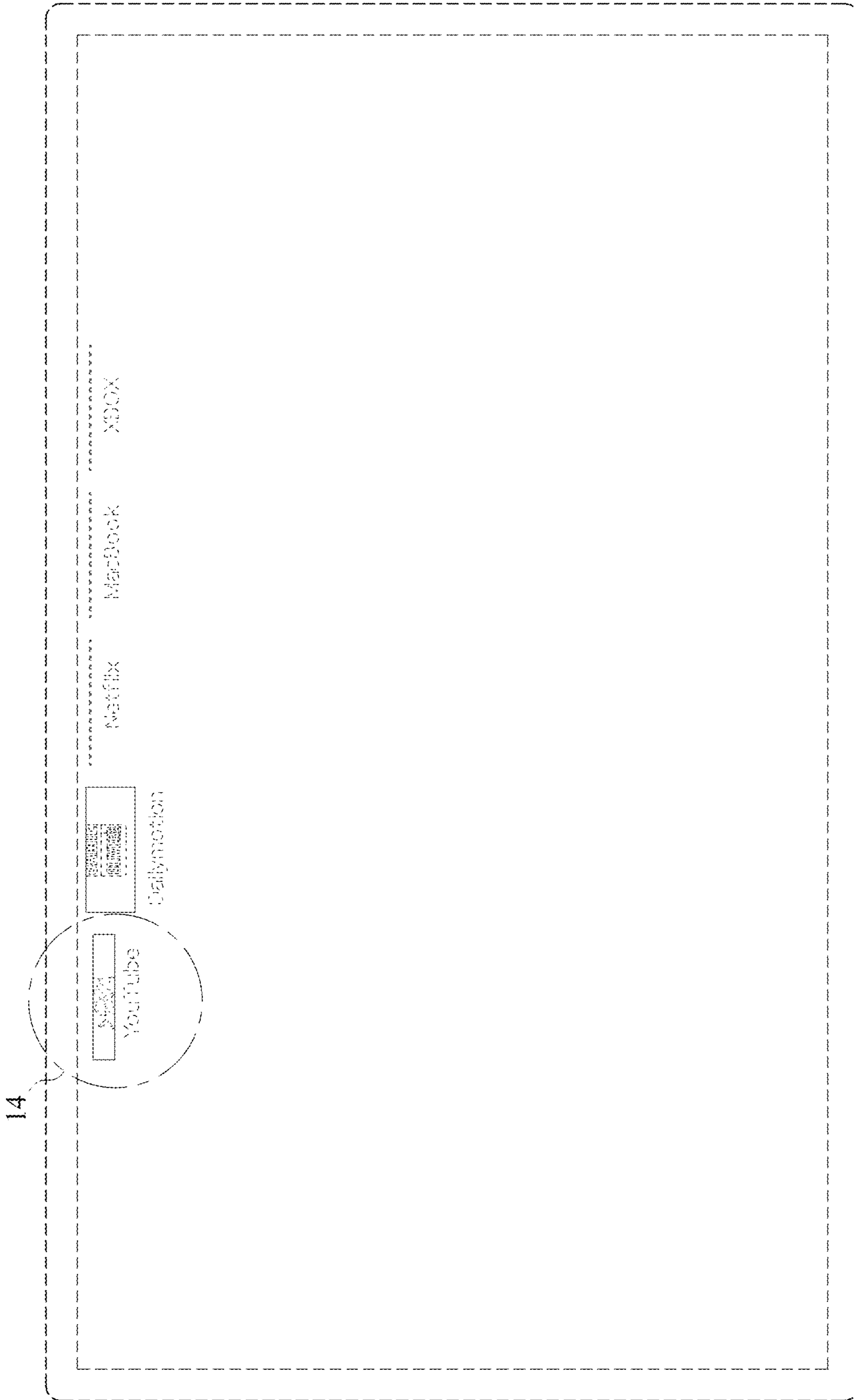




FIG. 7

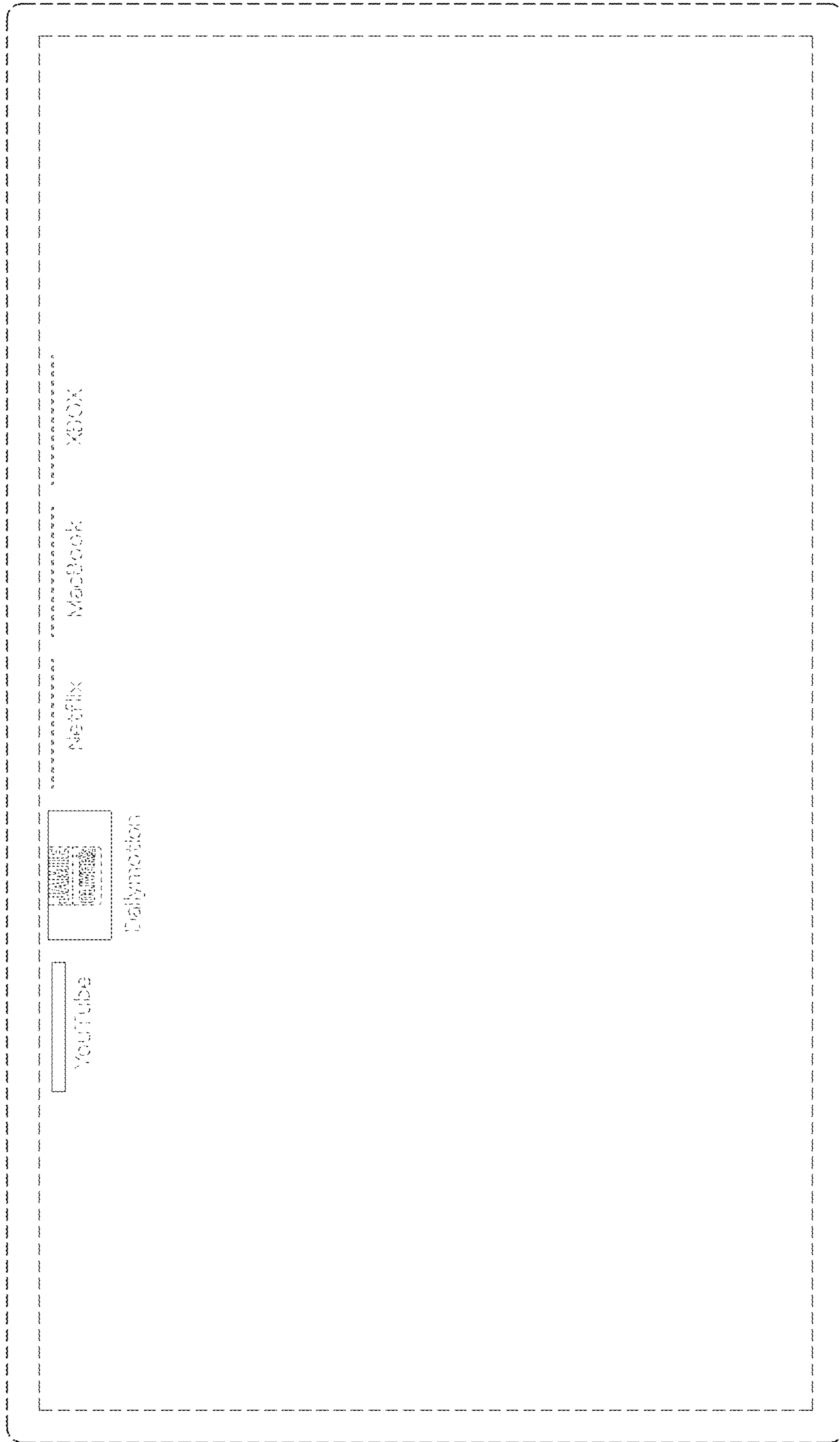


FIG. 8

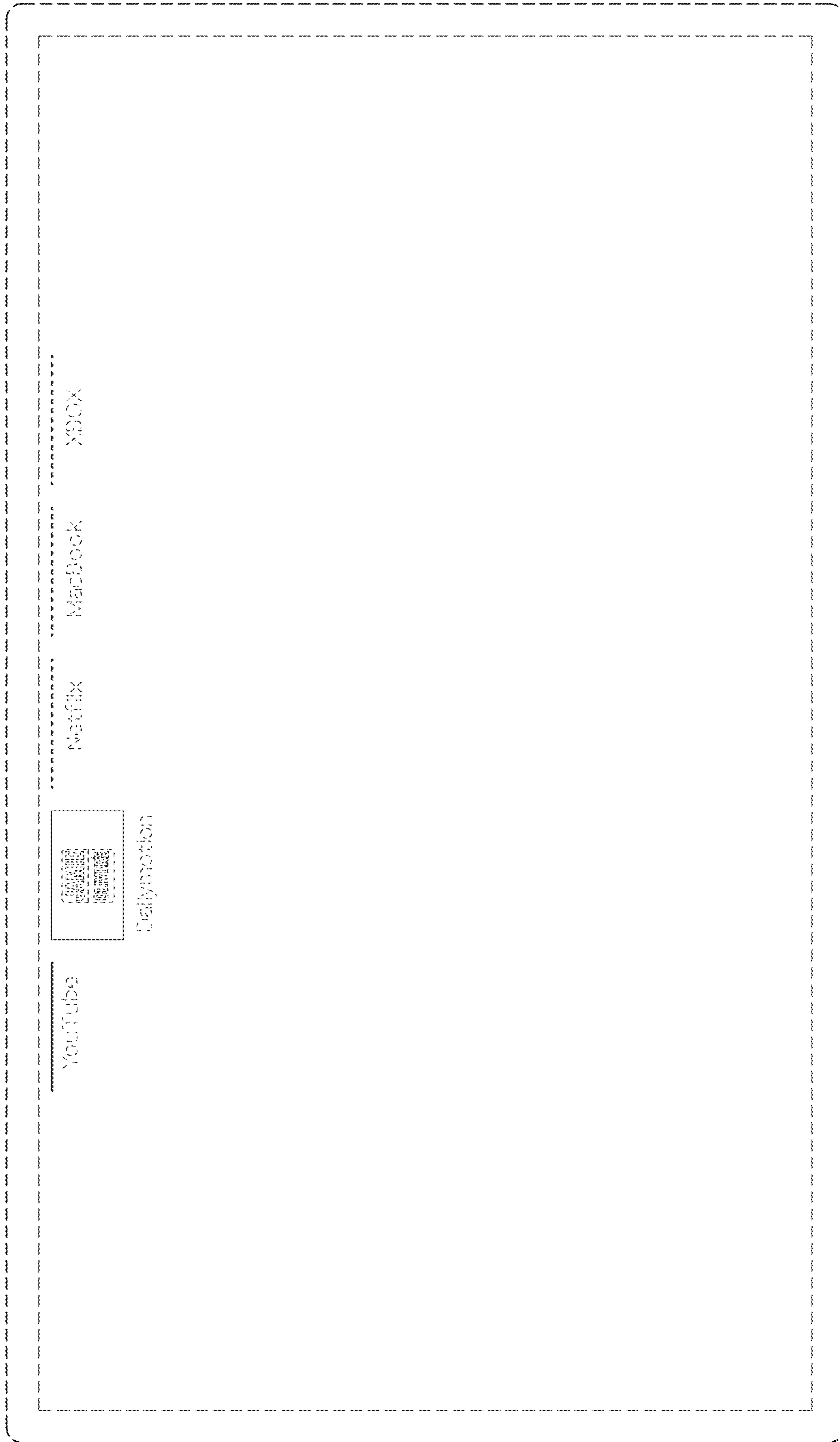


FIG. 9

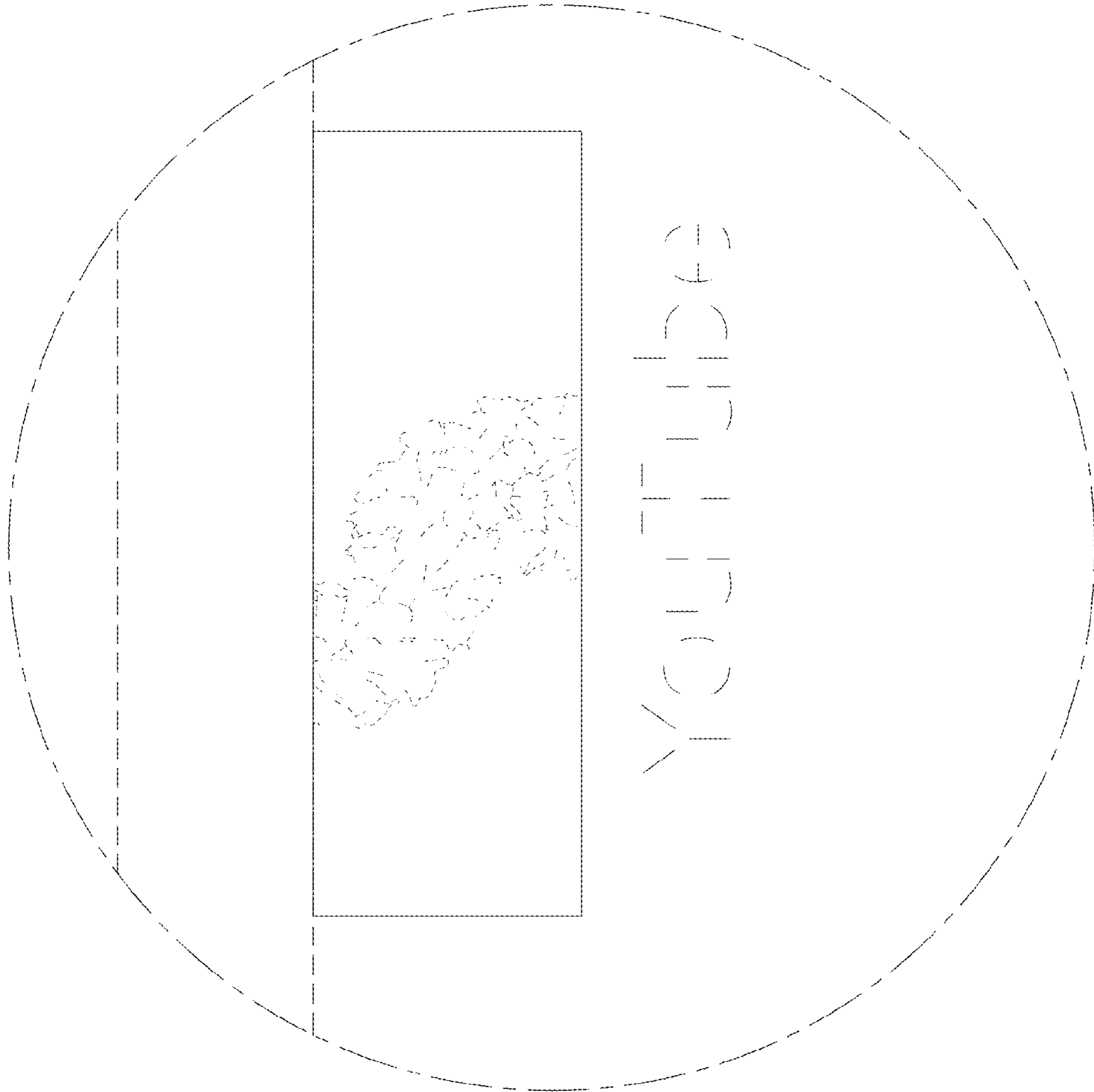


FIG. 10

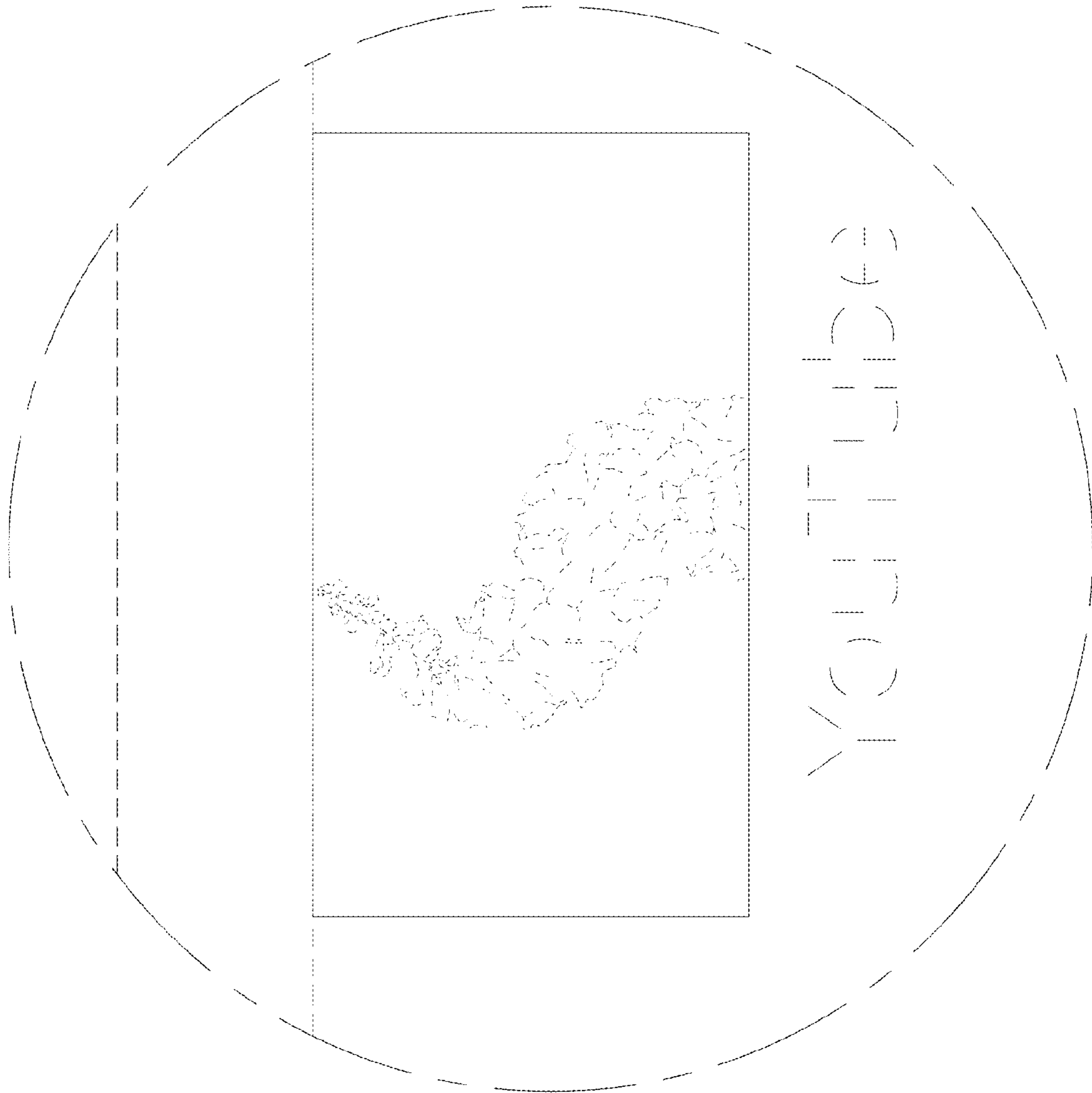


FIG. 11

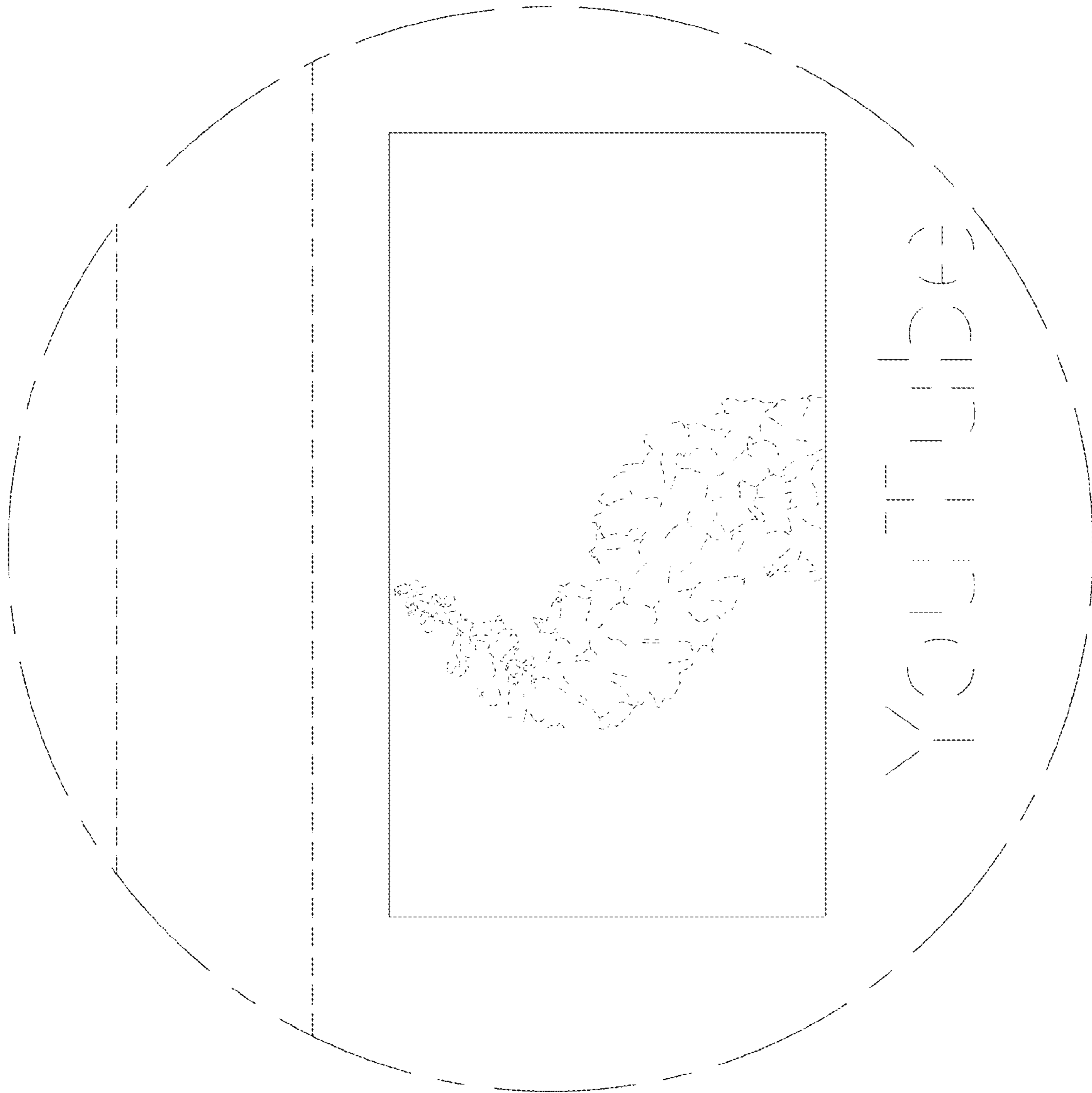


FIG. 12

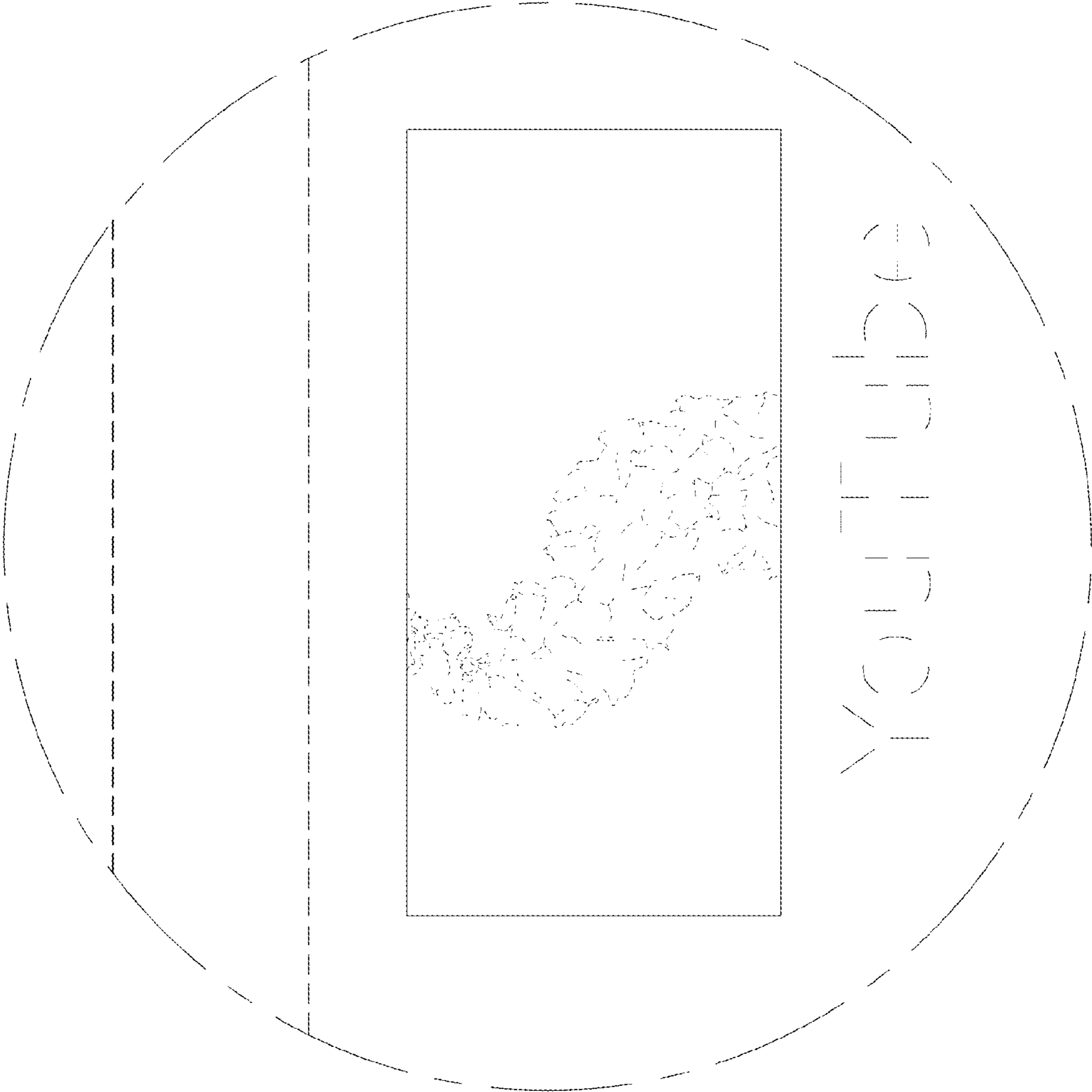


FIG. 13

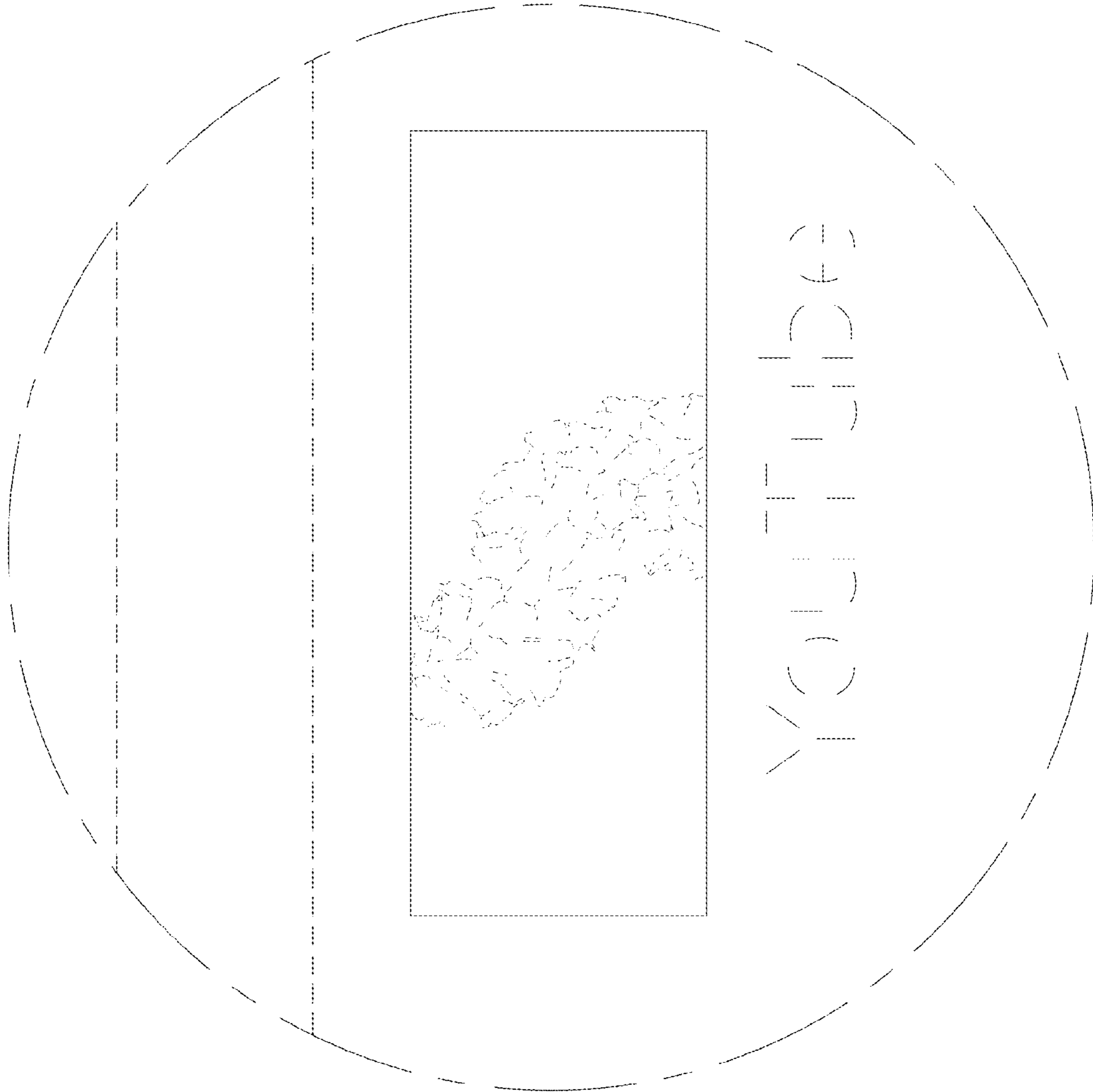


FIG. 14

