



US00D891438S

(12) **United States Design Patent**
Chen et al.

(10) **Patent No.:** **US D891,438 S**
(45) **Date of Patent:** **** Jul. 28, 2020**

(54) **MOTION CONTROLLER**

(71) Applicant: **Acer Incorporated**, New Taipei (TW)

(72) Inventors: **Wei-Chang Chen**, New Taipei (TW);
Jung-Wei Tsao, New Taipei (TW)

(73) Assignee: **Acer Incorporated**, New Taipei (TW)

(**) Term: **15 Years**

(21) Appl. No.: **29/669,910**

(22) Filed: **Nov. 12, 2018**

(30) **Foreign Application Priority Data**

May 15, 2018 (TW) 107302709

(51) **LOC (12) Cl.** **14-02**

(52) **U.S. Cl.**
USPC **D14/454**; D14/388; D21/333

(58) **Field of Classification Search**
USPC D14/400–418, 426–431, 454–455, 203.3,
D14/218, 300, 356, 358, 383, 388, 399,
D14/432; D21/324, 328, 331, 333, 566;
D13/162, 162.1, 168; D10/78, 103
CPC .. A63F 9/02; A63F 9/24; A63F 9/0291; A63F
9/0252; A63F 13/00; A63F 13/23; A63F
13/24; A63F 13/26; A63F 13/98; A63F
13/02; A63F 13/12

See application file for complete search history.

(56) **References Cited**

U.S. PATENT DOCUMENTS

D317,948 S *	7/1991	Tse	D14/416
D340,479 S *	10/1993	Ho	D14/416
D362,693 S *	9/1995	Carter	D14/416
D408,532 S *	4/1999	Schmidt	D14/428
D556,201 S *	11/2007	Ashida	D14/412
D556,760 S *	12/2007	Ashida	D14/412
D561,190 S *	2/2008	Goto	D14/401
D567,243 S *	4/2008	Ashida	D14/412

D579,015 S *	10/2008	Ashida	D14/412
D603,841 S *	11/2009	Foley	D14/218
D606,946 S *	12/2009	Zheng	D13/168
D626,517 S *	11/2010	Yano	D13/168
D627,744 S *	11/2010	Yano	D13/168
D630,168 S *	1/2011	Yano	D13/168
D674,354 S *	1/2013	Yano	D13/168
D737,225 S *	8/2015	Seidl	D13/168

(Continued)

Primary Examiner — Jeffrey D Asch

Assistant Examiner — Rebekah A Caruso

(74) *Attorney, Agent, or Firm* — JCIPRNET

(57) **CLAIM**

The ornamental design for a motion controller, as shown and described.

DESCRIPTION

FIG. 1 is a perspective view of a motion controller showing our new design;

FIG. 2 is another perspective view thereof;

FIG. 3 is a front view thereof;

FIG. 4 is a rear view thereof;

FIG. 5 is a left side view thereof;

FIG. 6 is a right side view thereof;

FIG. 7 is a top view thereof;

FIG. 8 is a bottom view thereof;

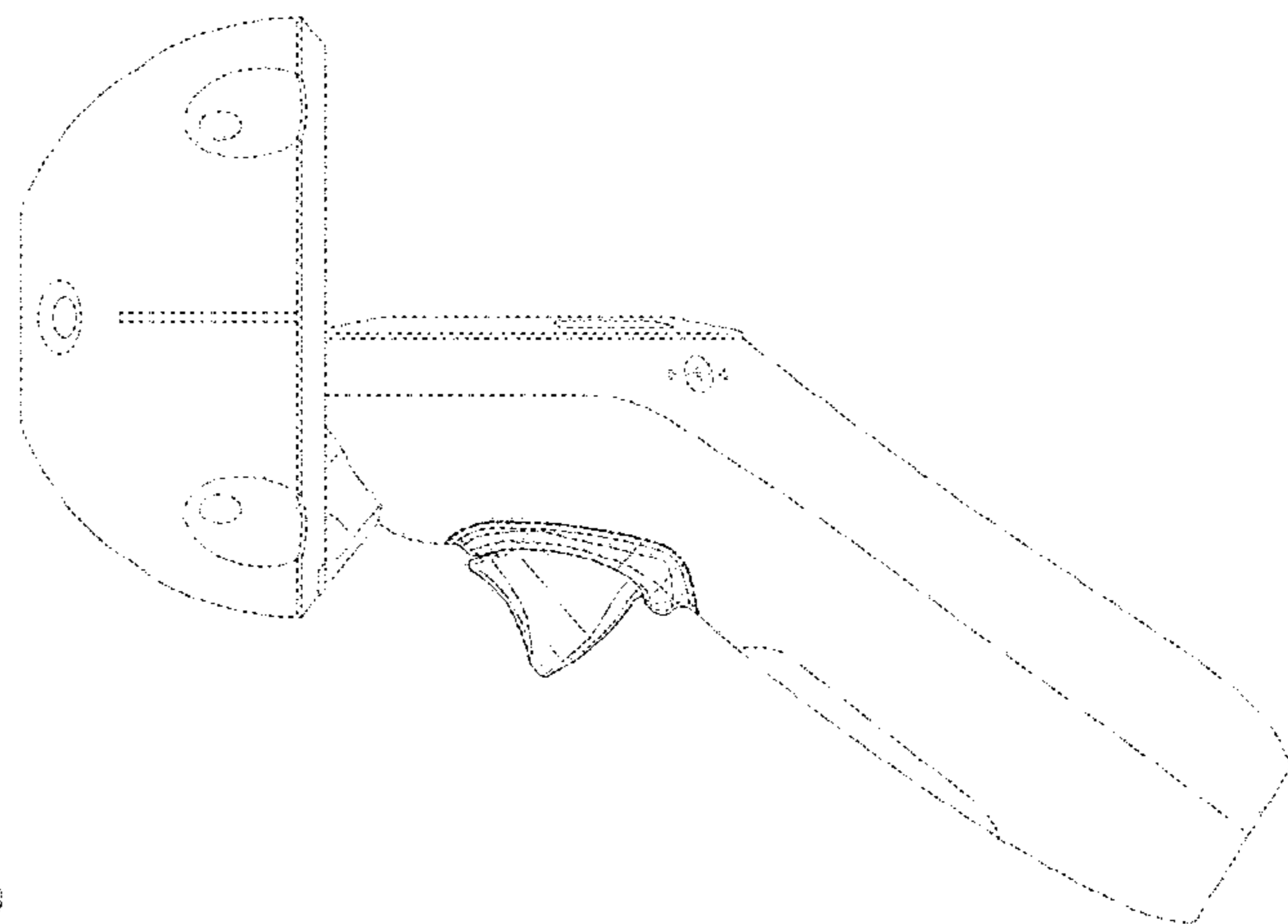
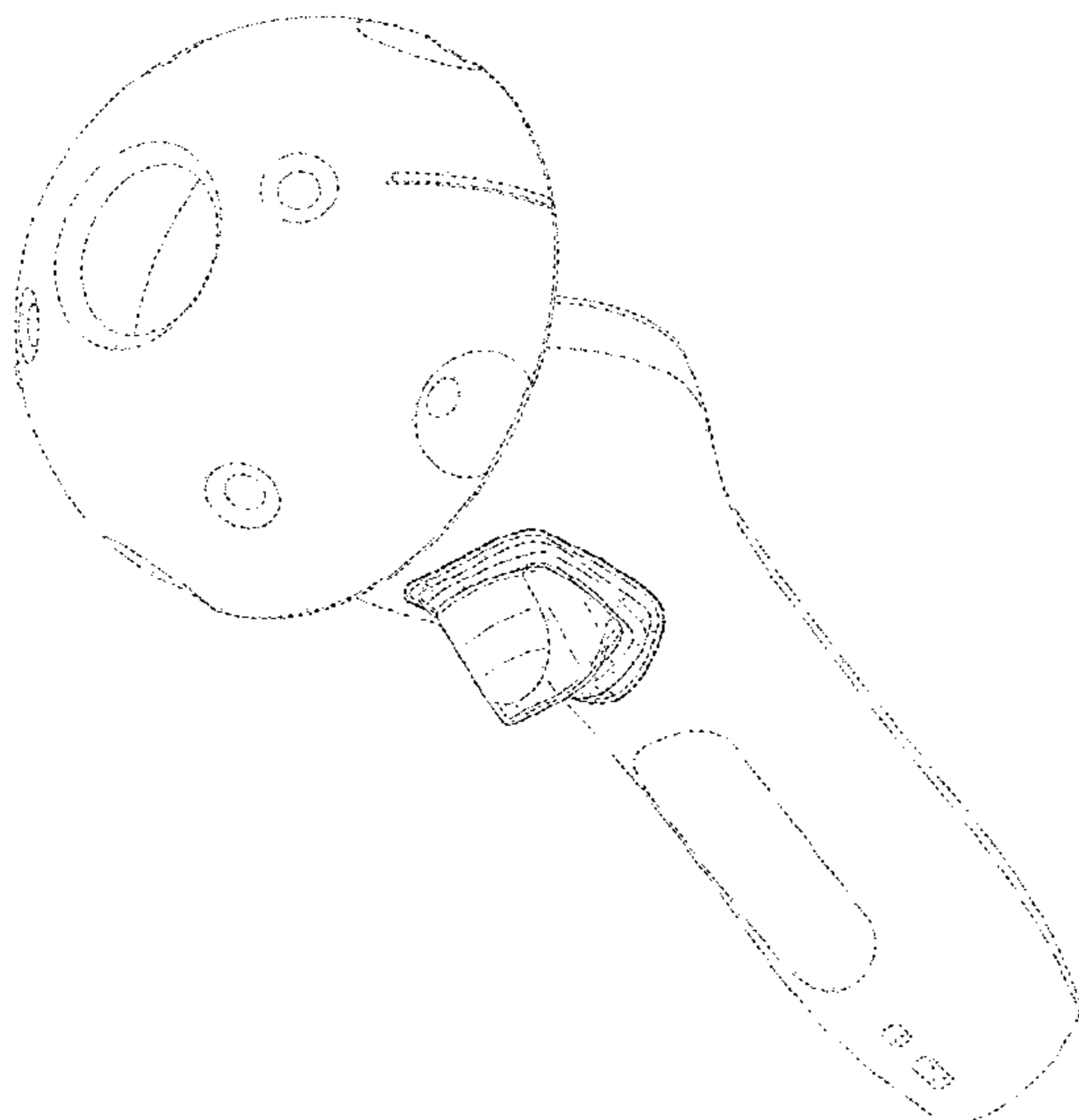
FIG. 9 is a cross-sectional view taken along line 9-9 in FIG. 5;

FIG. 10 is a perspective view of the trigger of the motion controller in FIG. 1 shown in isolation to make clear all aspects of the design; and,

FIG. 11 is another perspective view of the trigger of the motion controller in FIG. 1 shown in isolation to make clear all aspects of the design.

The dashed broken lines illustrate portions of the motion controller and form no part of the claimed design. The dot-dash lines define the bounds of the claimed design and form no part thereof.

1 Claim, 9 Drawing Sheets



(56)

References Cited

U.S. PATENT DOCUMENTS

D795,870	S	*	8/2017	Jentz	D14/388
D797,743	S	*	9/2017	Awad	D14/412
D804,579	S	*	12/2017	Britt	D21/333
D804,580	S	*	12/2017	Britt	D21/333
D806,173	S	*	12/2017	Britt	D21/333
D813,203	S	*	3/2018	Hardi	D14/218
D814,370	S	*	4/2018	Kim	D12/174
D817,300	S	*	5/2018	Bristol	D14/203.3
D819,638	S	*	6/2018	Lo	D14/388
D827,034	S	*	8/2018	Chen	D21/333
D827,613	S	*	9/2018	Seo	D14/218
D840,360	S	*	2/2019	Scott	D13/168
D844,002	S	*	3/2019	Pang	D14/412
D844,608	S	*	4/2019	Chen	D14/388
D844,609	S	*	4/2019	Bristol	D14/388
D863,446	S	*	10/2019	Bristol	D21/333
D866,554	S	*	11/2019	Lo	D14/388
D872,087	S	*	1/2020	Lo	D14/388
D872,185	S	*	1/2020	Chatterjee	D21/333
10,549,183	B2	*	2/2020	Hope	A63F 13/214
2018/0099219	A1	*	4/2018	Hope	A63F 13/218
2019/0201783	A1	*	7/2019	Higgins	A63F 13/24
2019/0262697	A1	*	8/2019	Kim	G06T 19/20

* cited by examiner

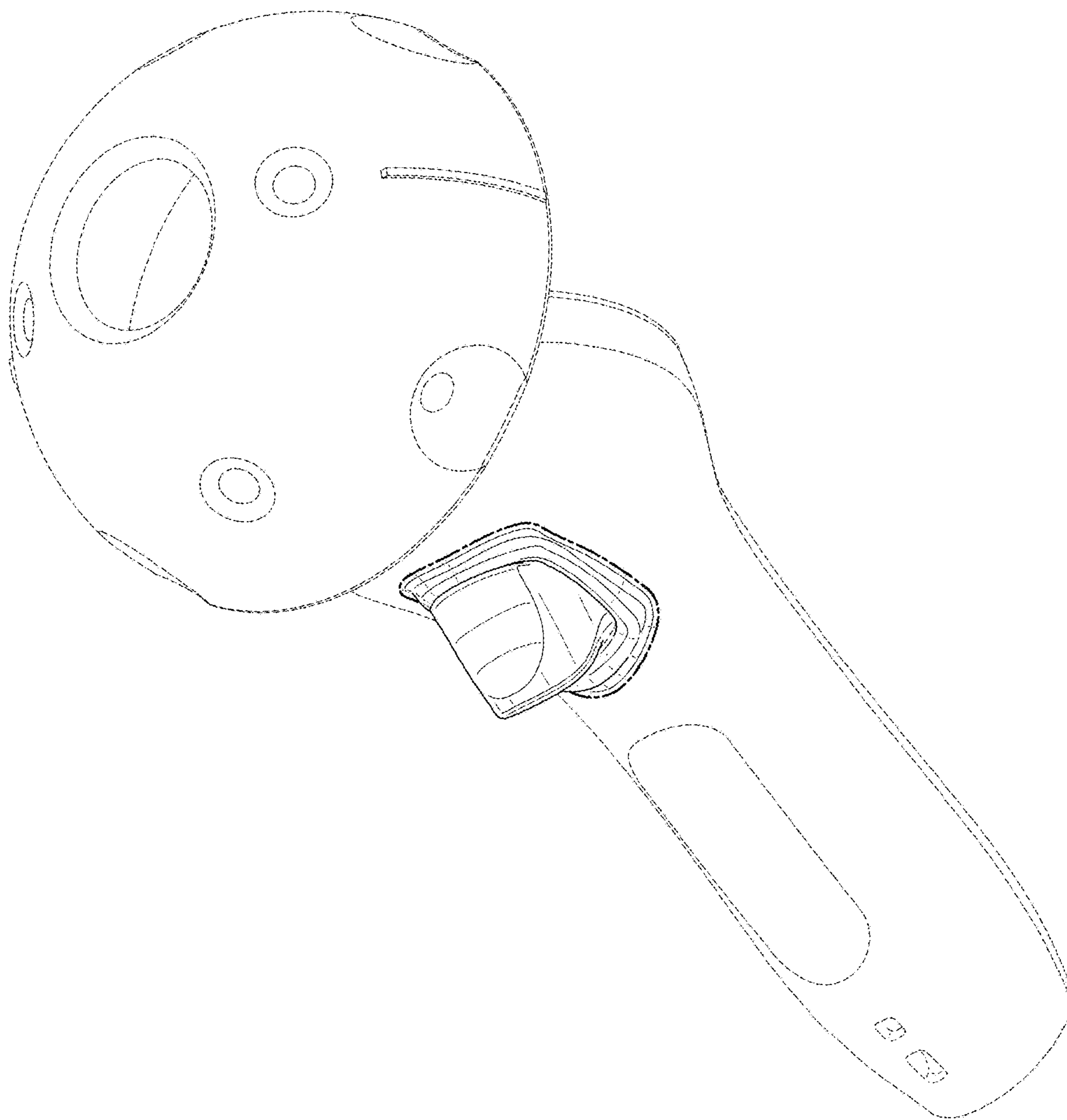


FIG. 1

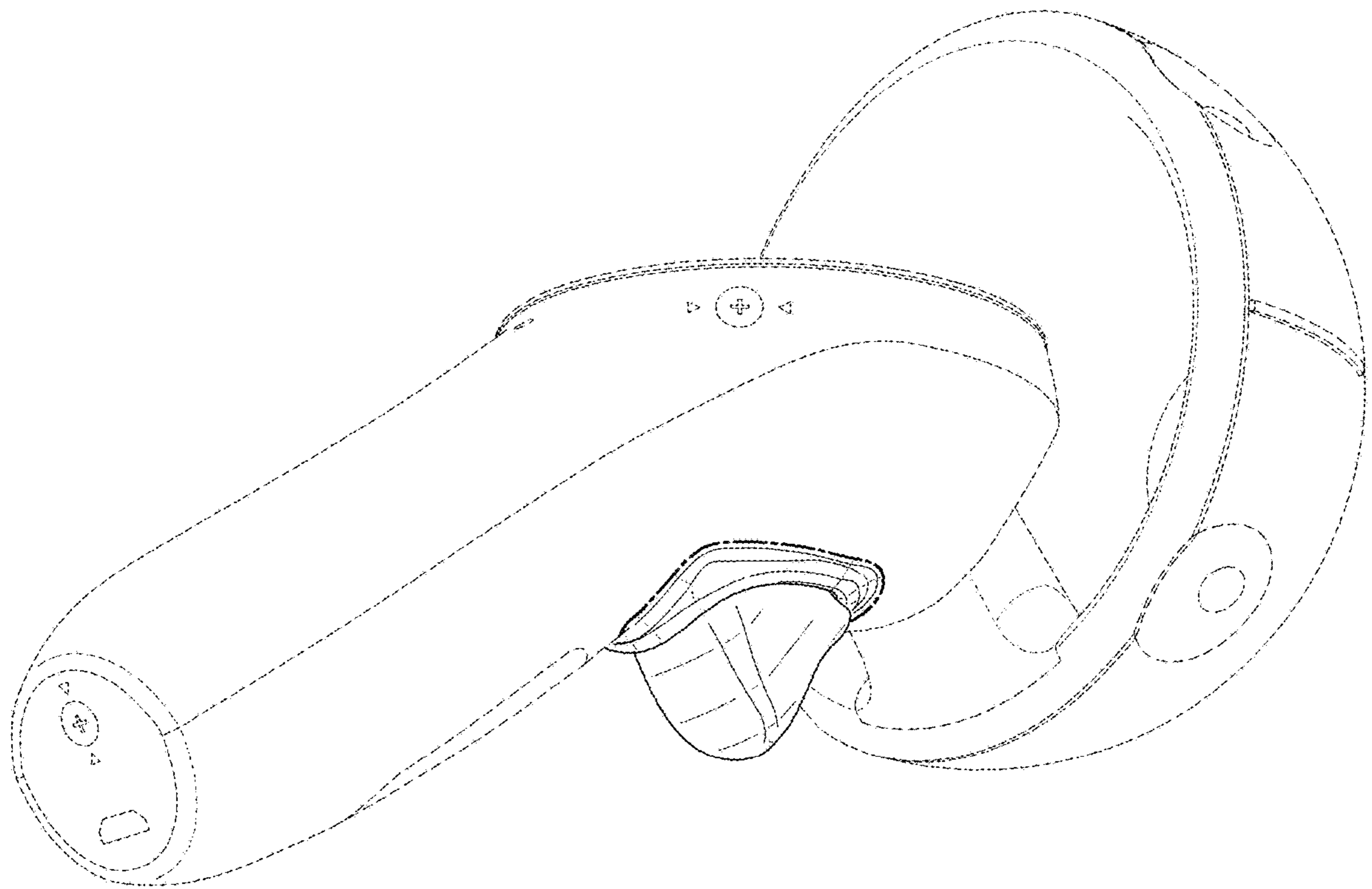


FIG. 2

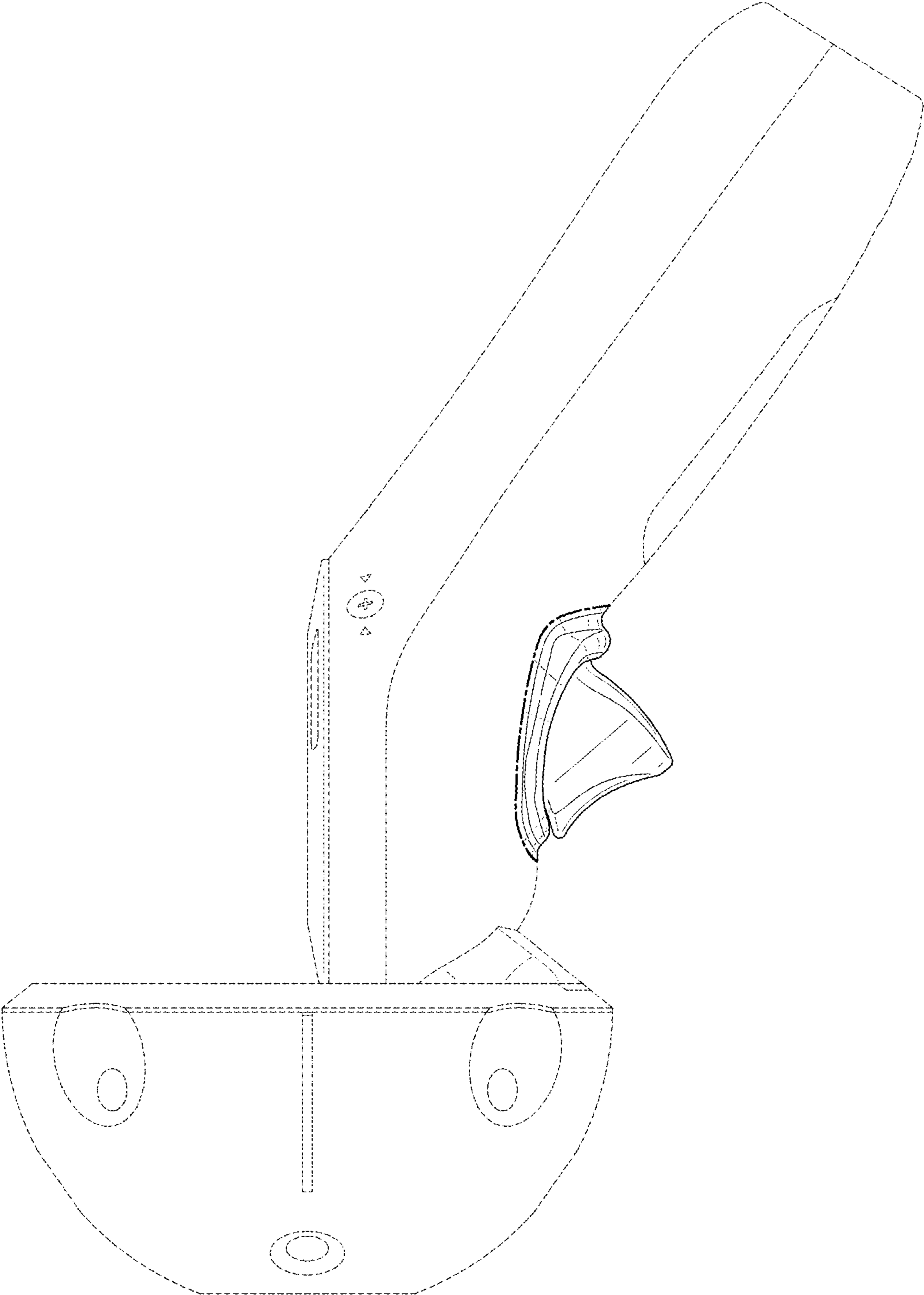


FIG. 3

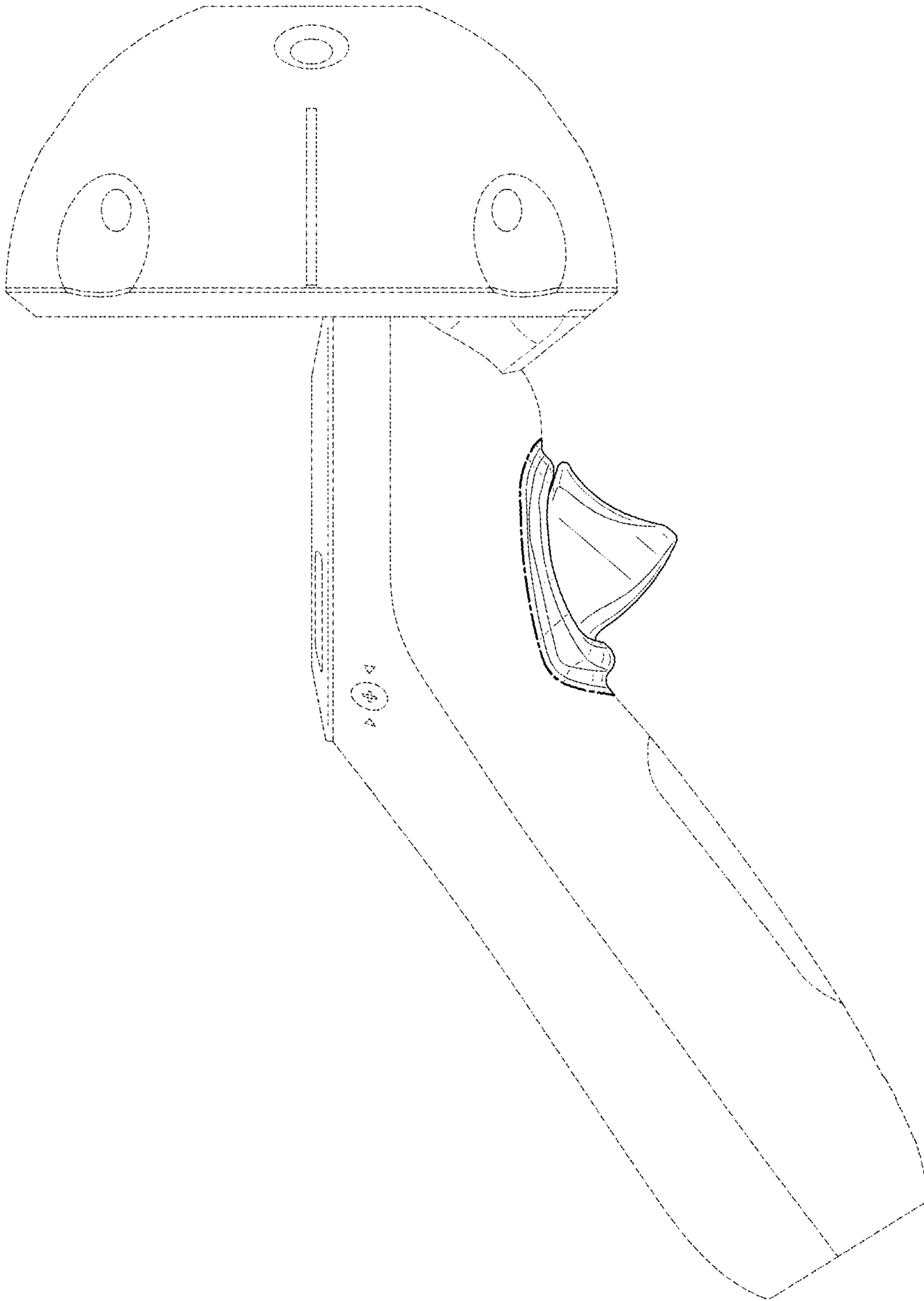


FIG. 4

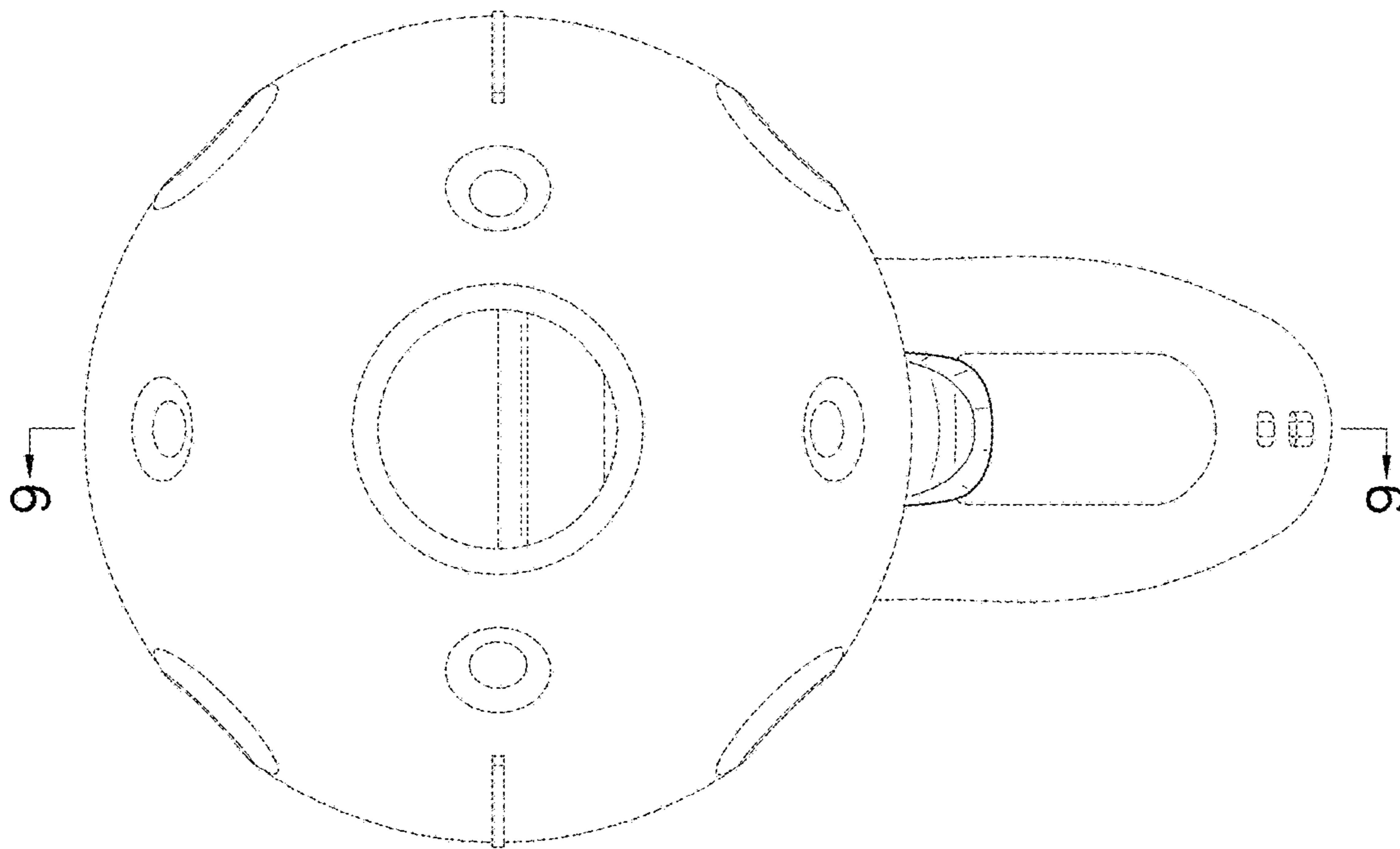


FIG. 5

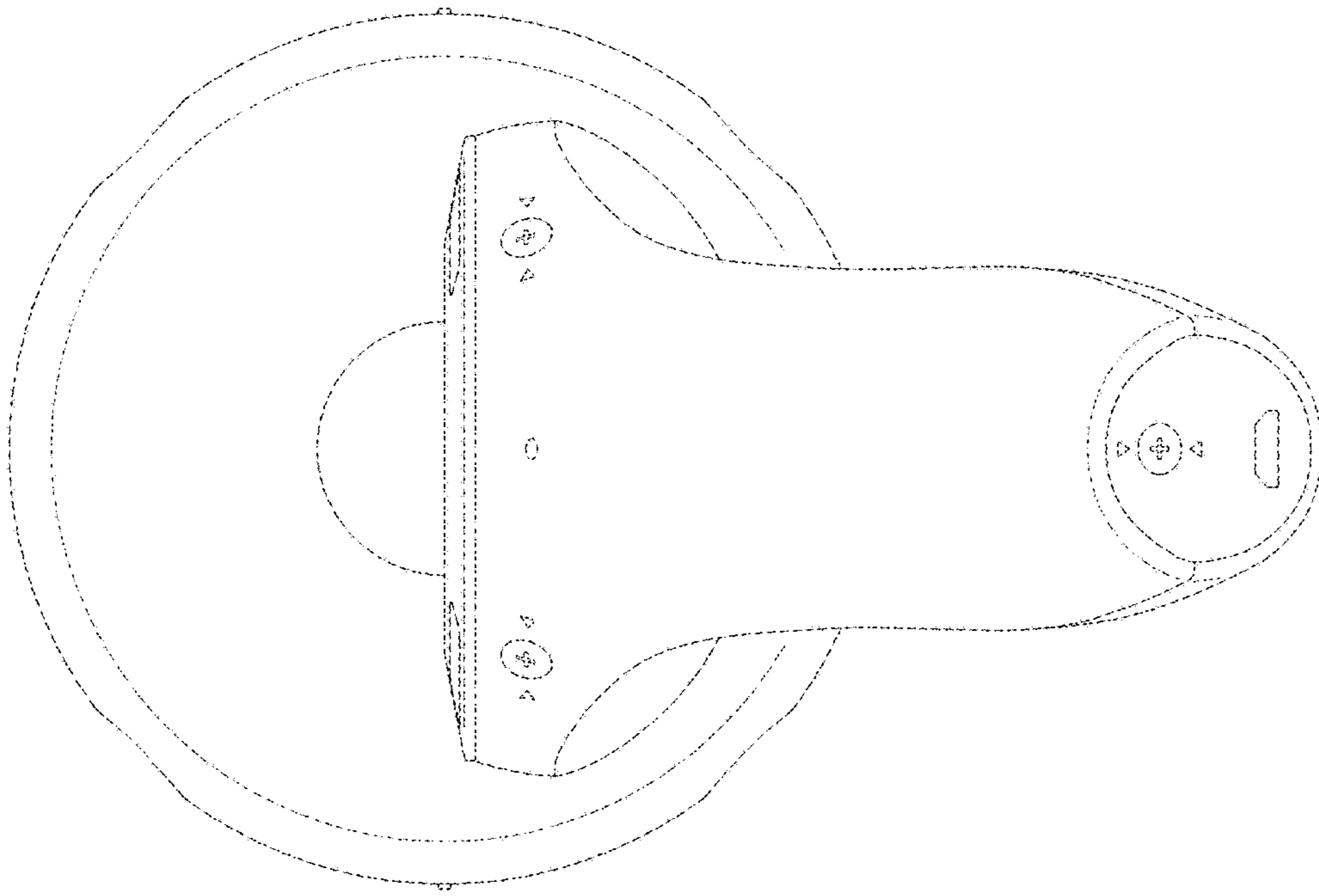


FIG. 6

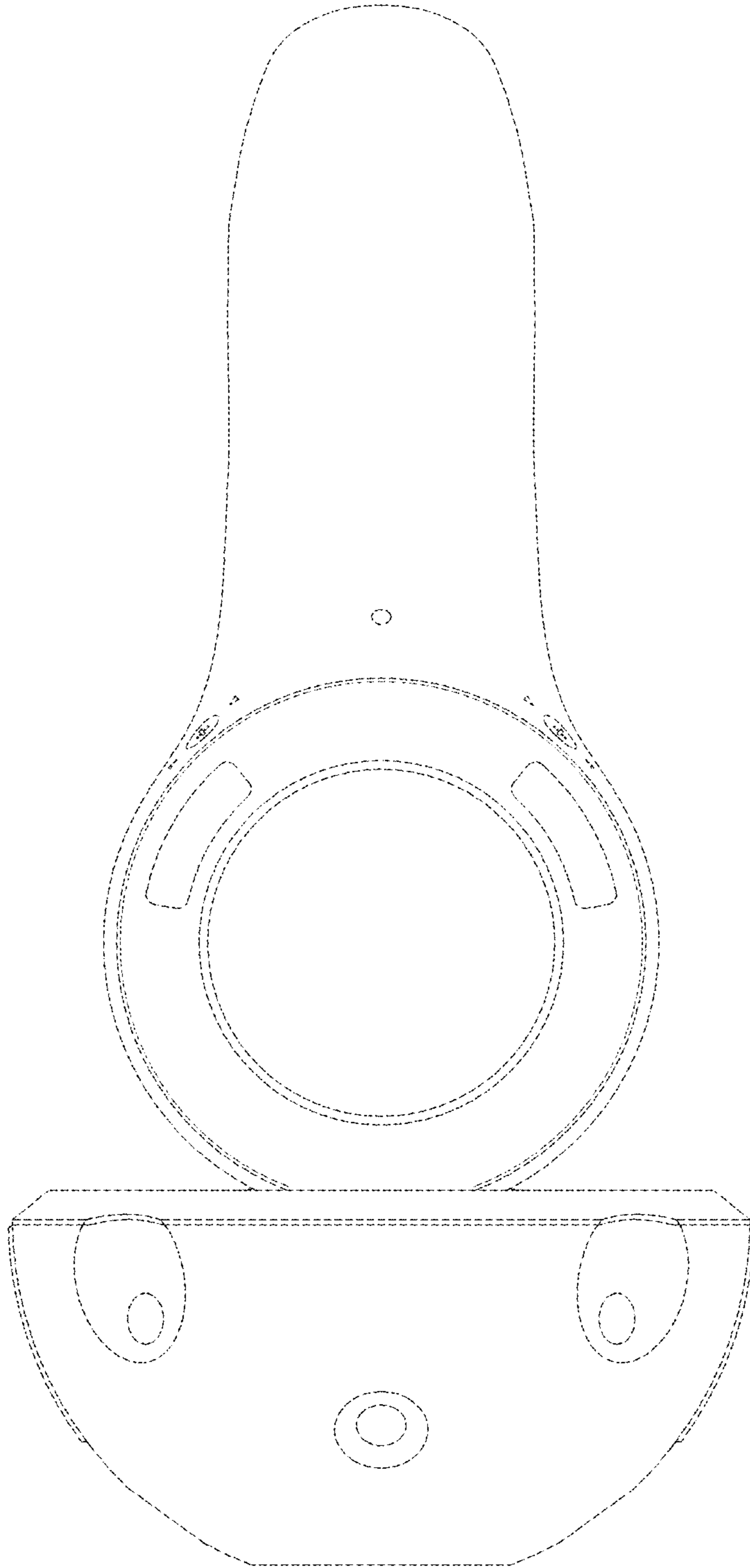


FIG. 7

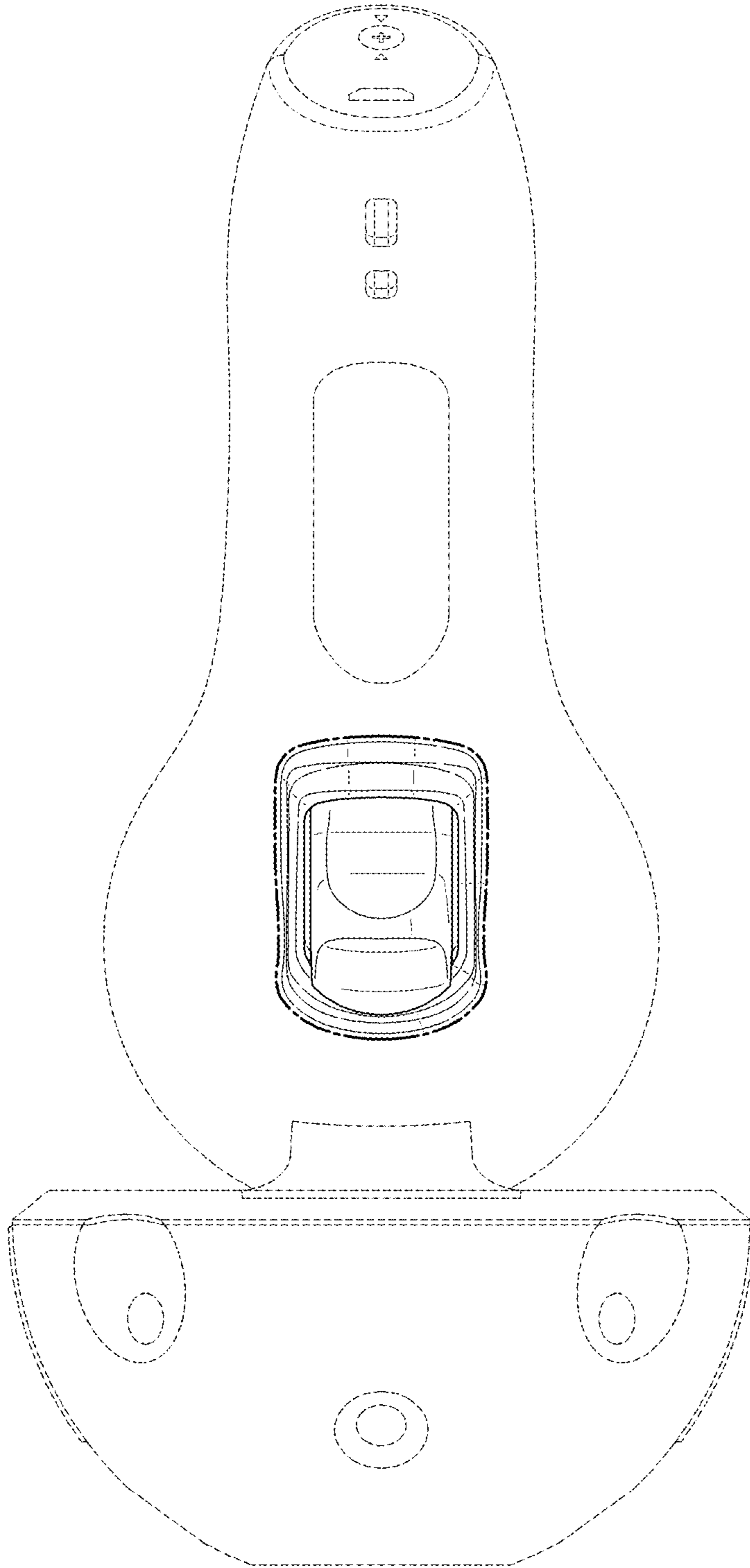


FIG. 8

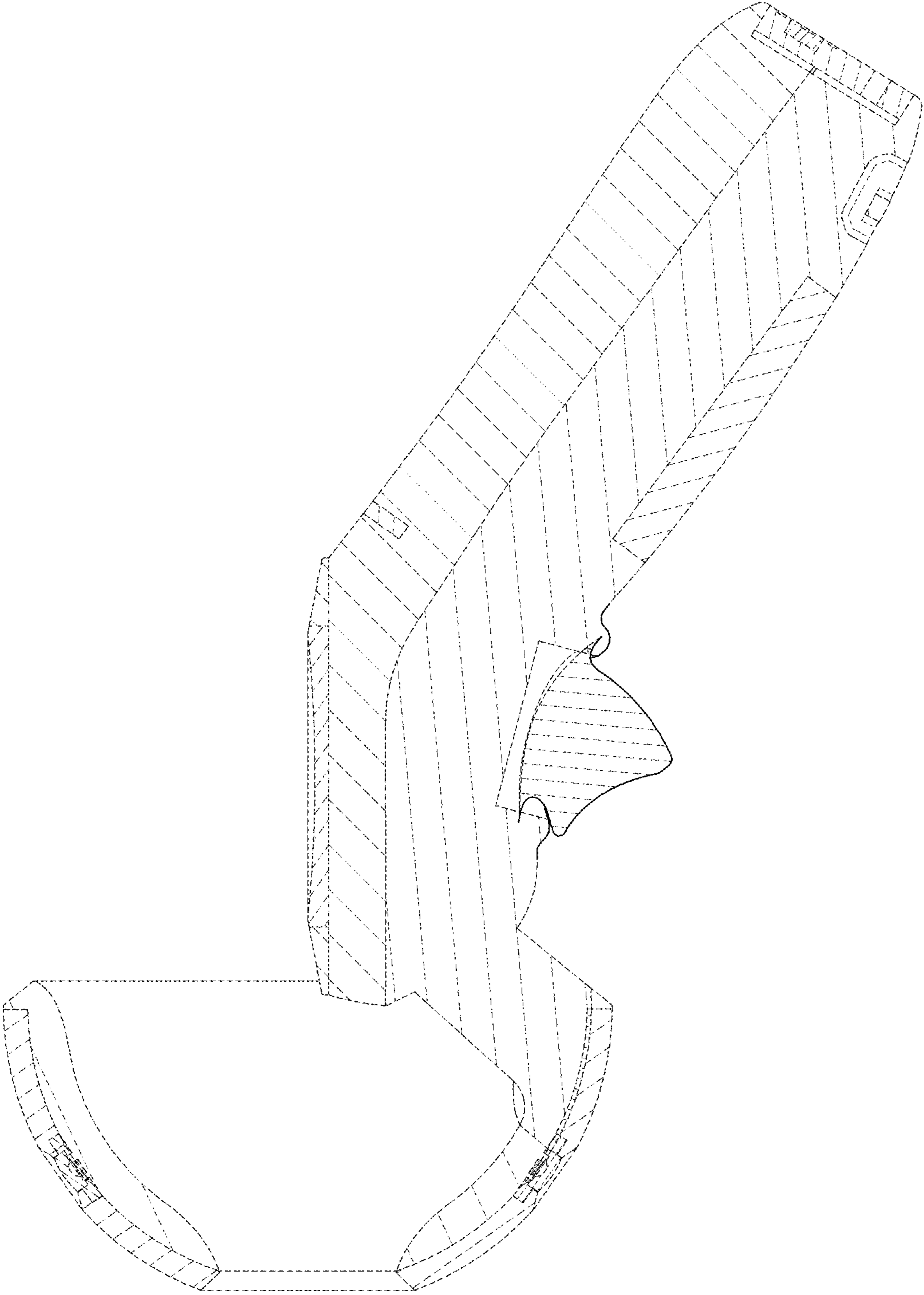


FIG. 9

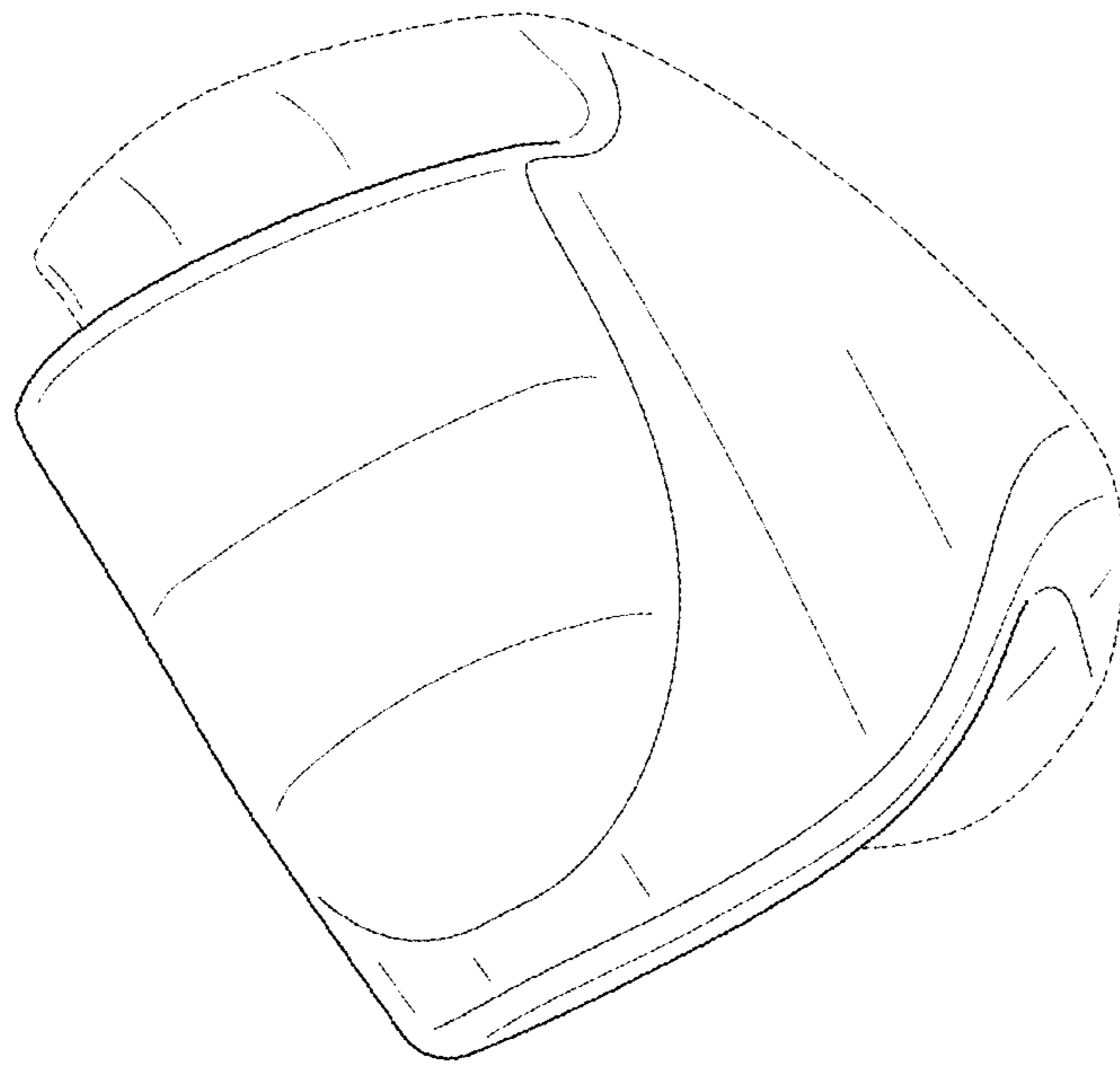


FIG. 10

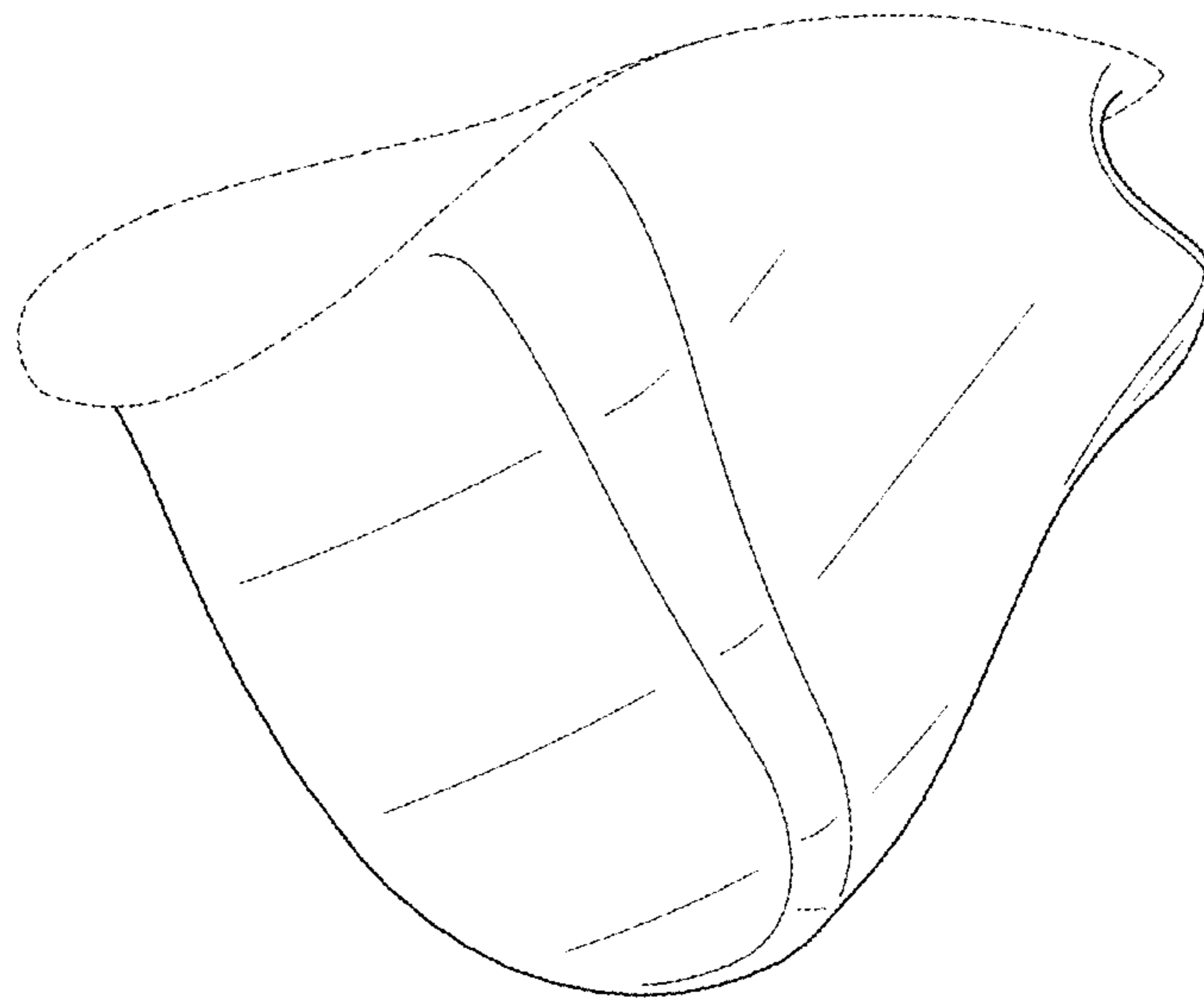


FIG. 11