



US00D891437S

(12) **United States Design Patent**  
**Chen et al.**

(10) **Patent No.:** **US D891,437 S**  
(45) **Date of Patent:** **\*\* Jul. 28, 2020**

(54) **MOTION CONTROLLER**  
(71) Applicant: **Acer Incorporated**, New Taipei (TW)  
(72) Inventors: **Wei-Chang Chen**, New Taipei (TW);  
**Jung-Wei Tsao**, New Taipei (TW)  
(73) Assignee: **Acer Incorporated**, New Taipei (TW)  
(\*\*) Term: **15 Years**  
(21) Appl. No.: **29/662,155**  
(22) Filed: **Sep. 4, 2018**

(30) **Foreign Application Priority Data**

May 15, 2018 (TW) ..... 107302710

(51) **LOC (12) Cl.** ..... **14-02**

(52) **U.S. Cl.**  
USPC ..... **D14/454**; D14/388; D21/333

(58) **Field of Classification Search**  
USPC .... D14/400–418, 426–431, 454–455, 203.3,  
D14/218, 300, 356, 358, 383, 388, 399,  
D14/432, 223; D21/324, 328, 331, 333,  
D21/566; D13/162, 162.1, 168; D10/78,  
D10/103; D26/131; D23/411, 377;  
D8/387, 397, 399; D7/334  
CPC .. A63F 9/02; A63F 9/24; A63F 9/0291; A63F  
9/0252; A63F 13/00; A63F 13/23; A63F  
13/24; A63F 13/26; A63F 13/98; A63F  
13/02; A63F 13/12  
See application file for complete search history.

(56) **References Cited**

**U.S. PATENT DOCUMENTS**

D334,078 S \* 3/1993 Stromberg ..... D26/131  
D340,479 S \* 10/1993 Ho ..... D14/416  
D408,532 S \* 4/1999 Schmidt ..... D14/428  
D421,507 S \* 3/2000 Borders ..... D26/118  
D477,971 S \* 8/2003 Maier-Aichen ..... D7/584

D516,704 S \* 3/2006 Pickett ..... D23/411  
D556,201 S \* 11/2007 Ashida ..... D14/412  
D556,760 S \* 12/2007 Ashida ..... D14/412  
D567,243 S \* 4/2008 Ashida ..... D14/412  
D579,015 S \* 10/2008 Ashida ..... D14/412  
D603,841 S \* 11/2009 Foley ..... D14/218  
D627,744 S \* 11/2010 Yano ..... D13/168  
D628,577 S \* 12/2010 Marks ..... D14/412  
D630,168 S \* 1/2011 Yano ..... D13/168  
D651,196 S \* 12/2011 Quek ..... D14/223  
D651,581 S \* 1/2012 Yano ..... D13/168  
D653,235 S \* 1/2012 McManigal ..... D14/205  
8,089,458 B2 \* 1/2012 Barney ..... A63F 13/245  
345/158

(Continued)

*Primary Examiner* — Jeffrey D Asch  
*Assistant Examiner* — Rebekah A Caruso  
(74) *Attorney, Agent, or Firm* — JCIPRNET

(57) **CLAIM**

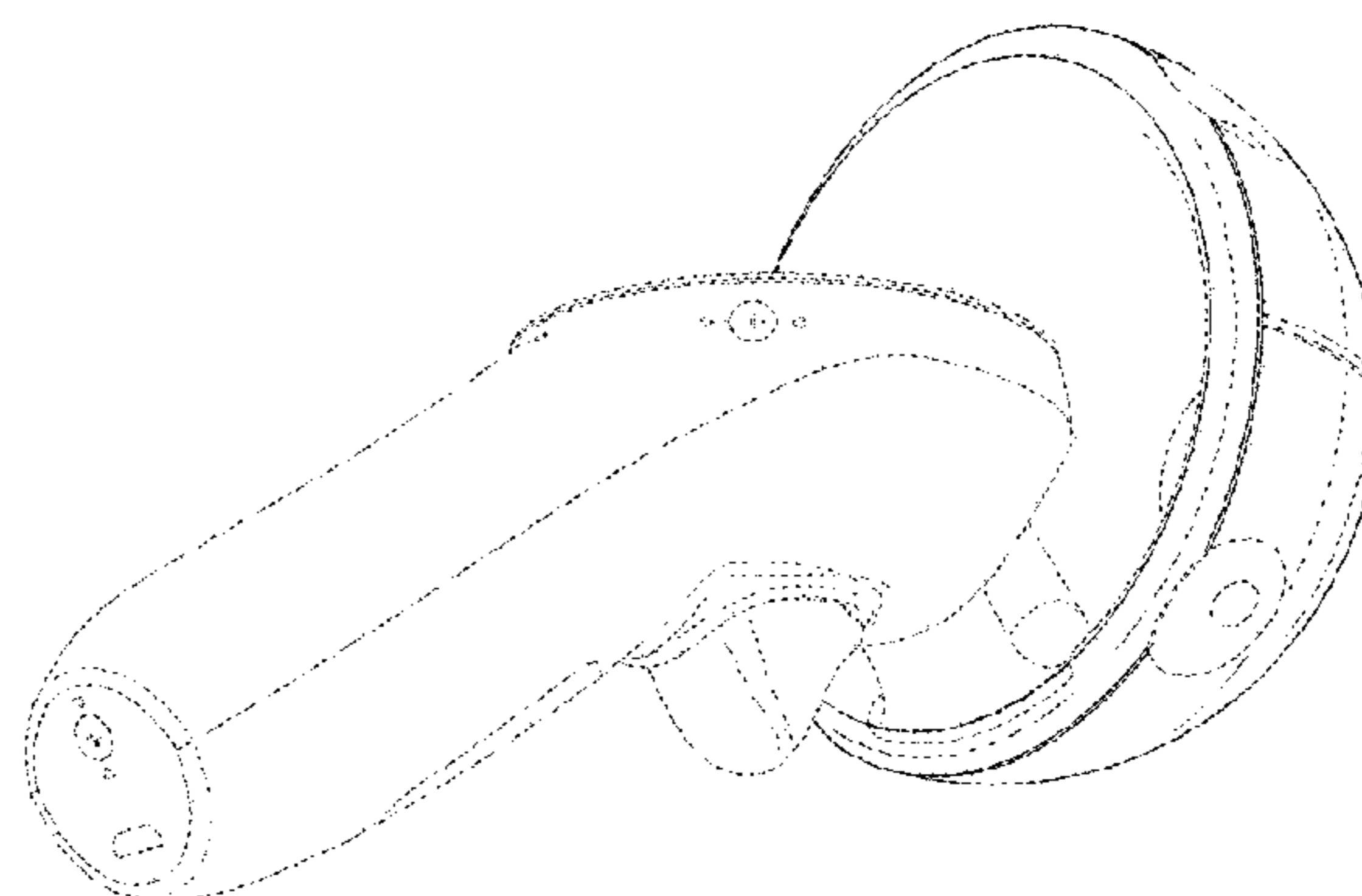
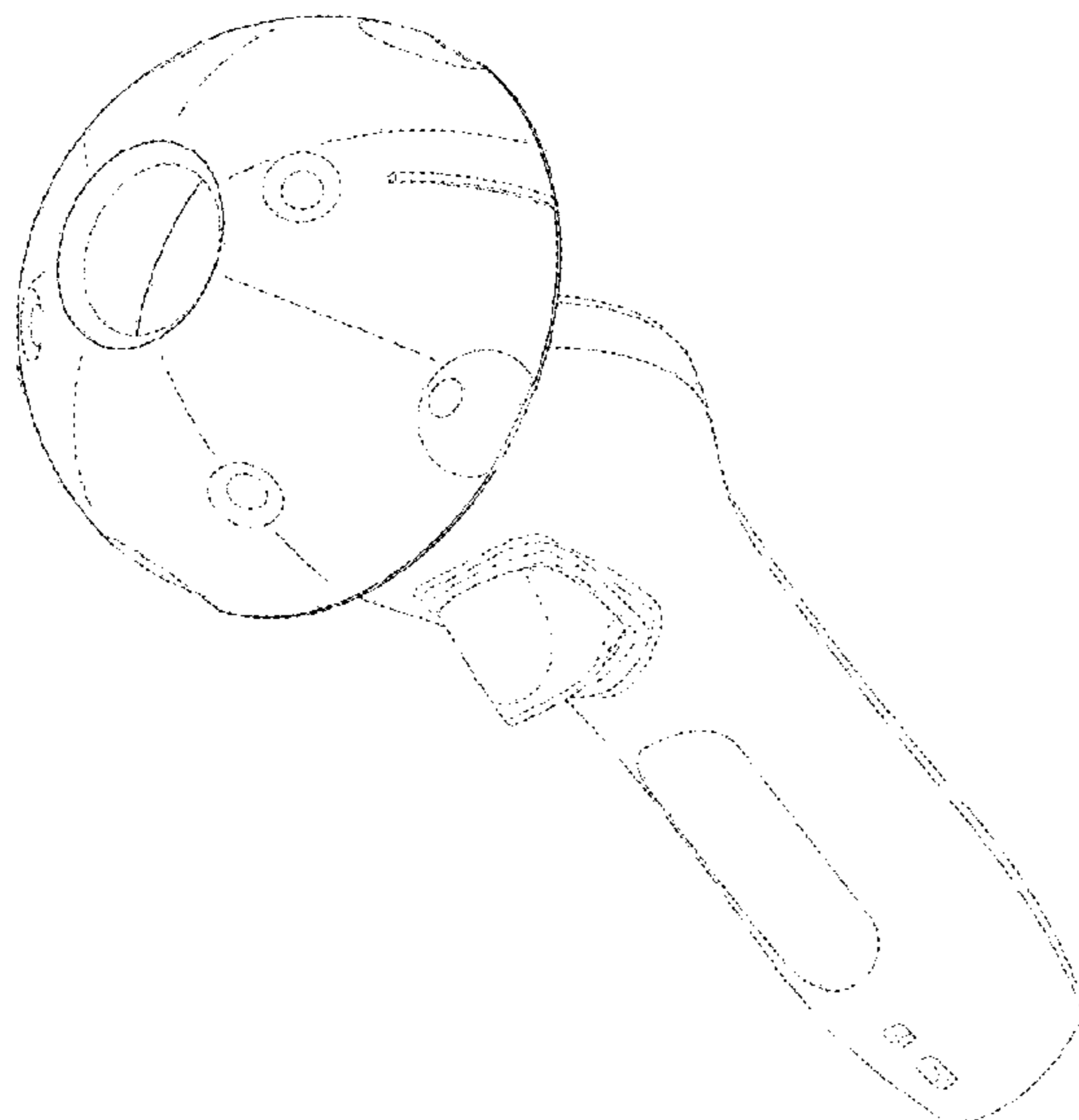
The ornamental design for a motion controller, as shown and described.

**DESCRIPTION**

FIG. 1 is a perspective view of a motion controller showing our new design;  
FIG. 2 is another perspective view thereof;  
FIG. 3 is still another perspective view thereof;  
FIG. 4 is a front view thereof;  
FIG. 5 is a rear view thereof;  
FIG. 6 is a left side view thereof;  
FIG. 7 is a right side view thereof;  
FIG. 8 is a top view thereof;  
FIG. 9 is a bottom view thereof; and,  
FIG. 10 is a cross-sectional view taken along line 10-10 in FIG. 6.

The dashed broken lines illustrate portions of the motion controller and form no part of the claimed design. The dot-dash lines define the bounds of the claimed design and form no part thereof.

**1 Claim, 9 Drawing Sheets**





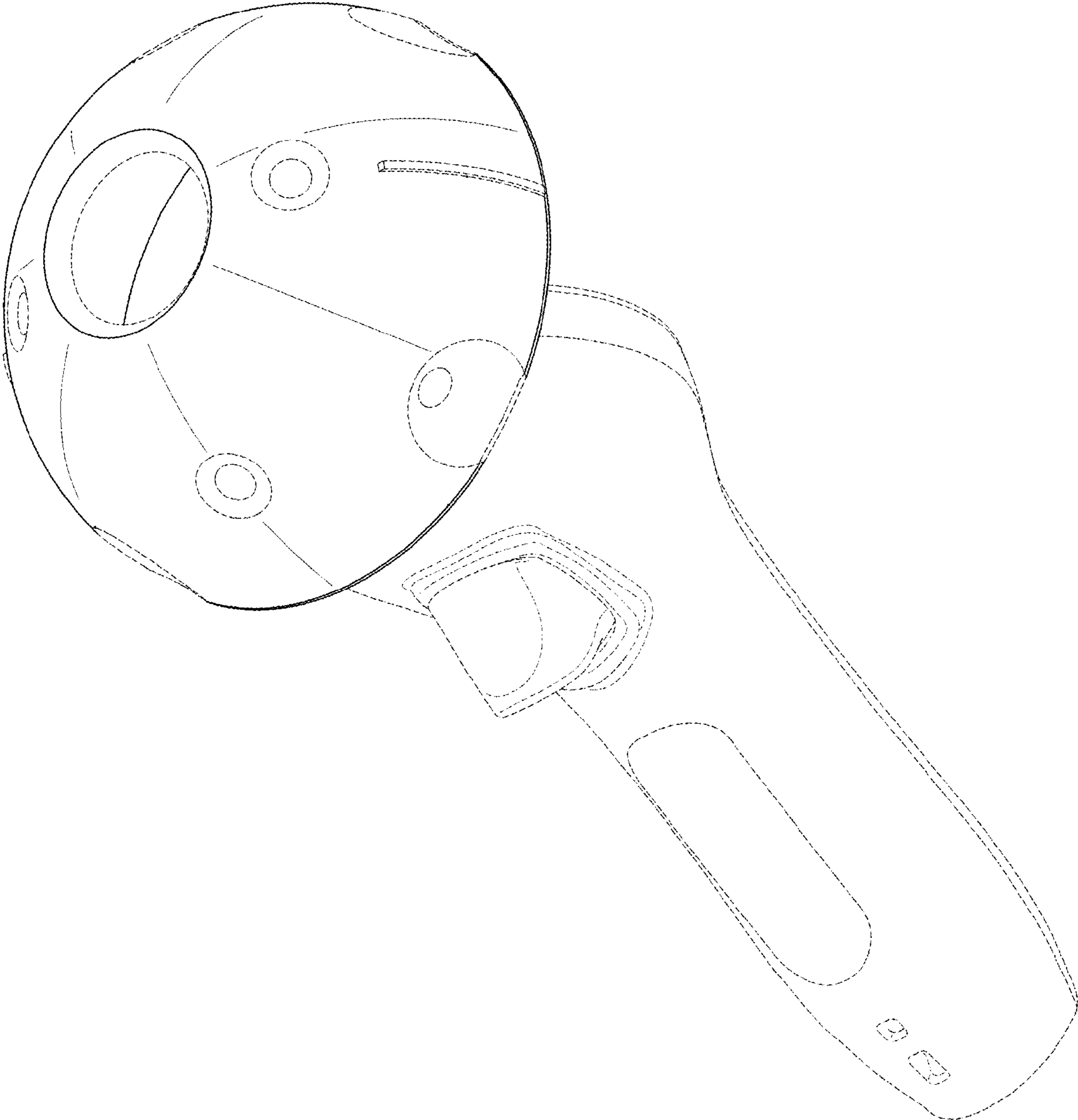


FIG. 1

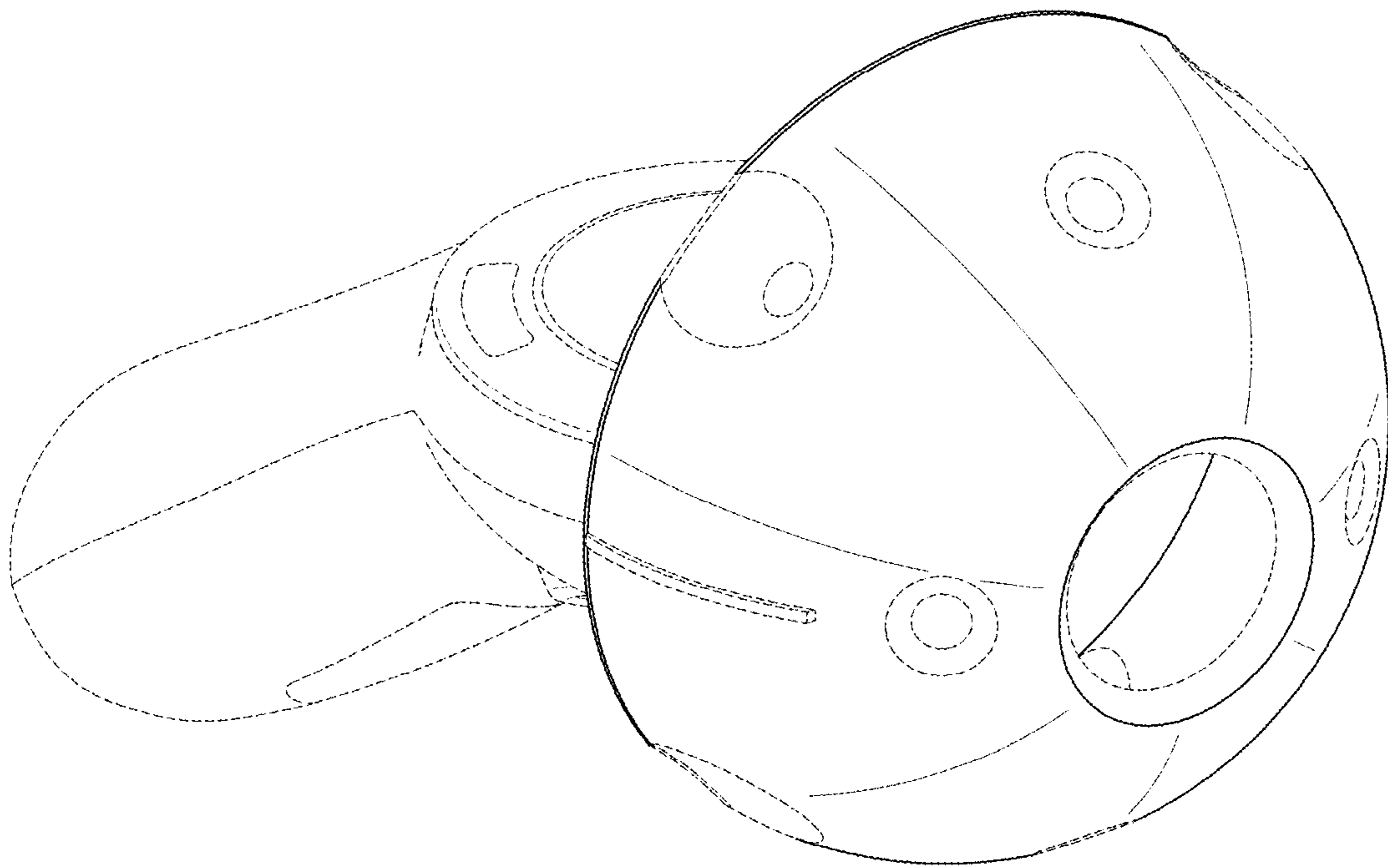


FIG. 2

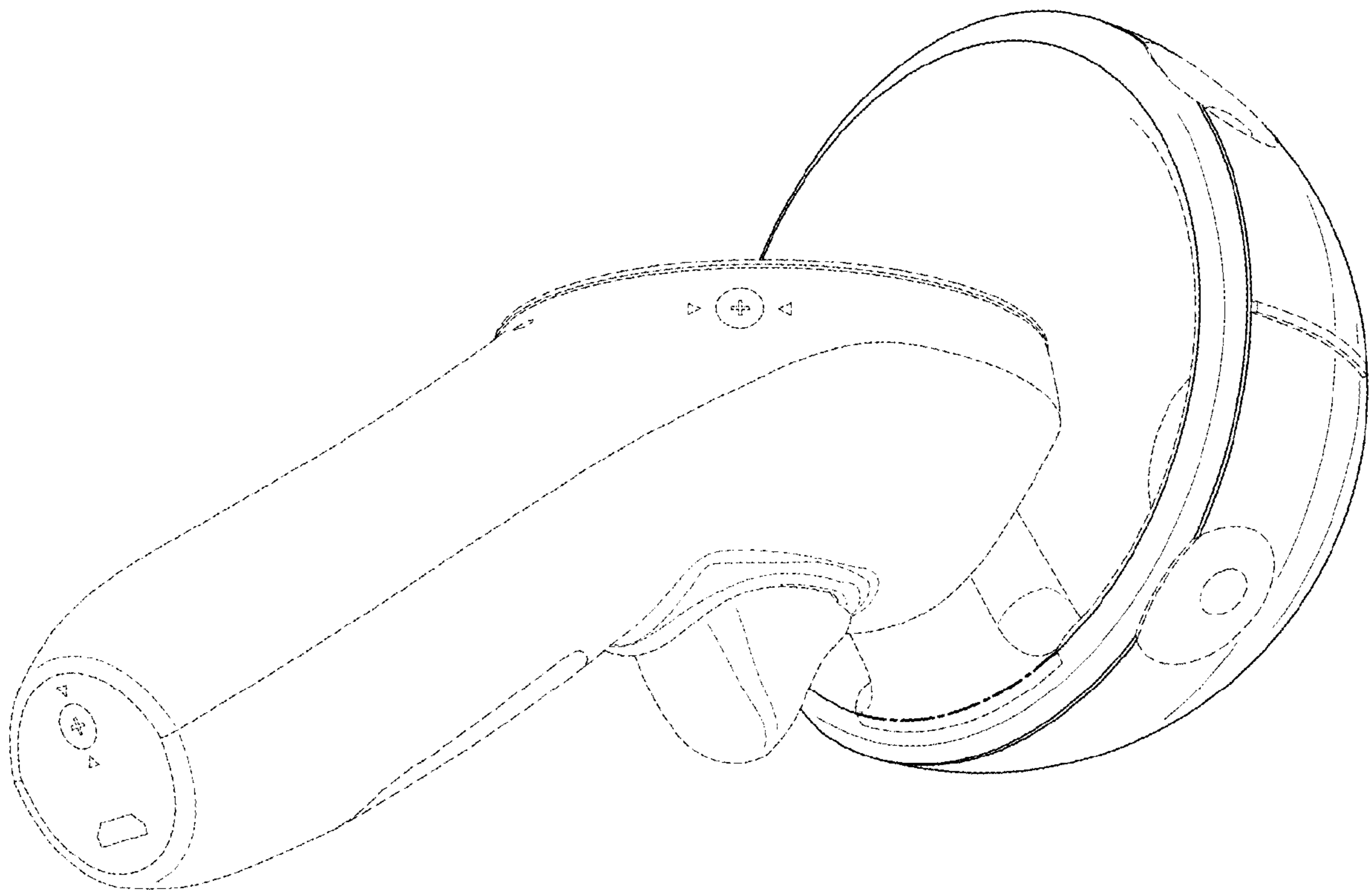


FIG. 3

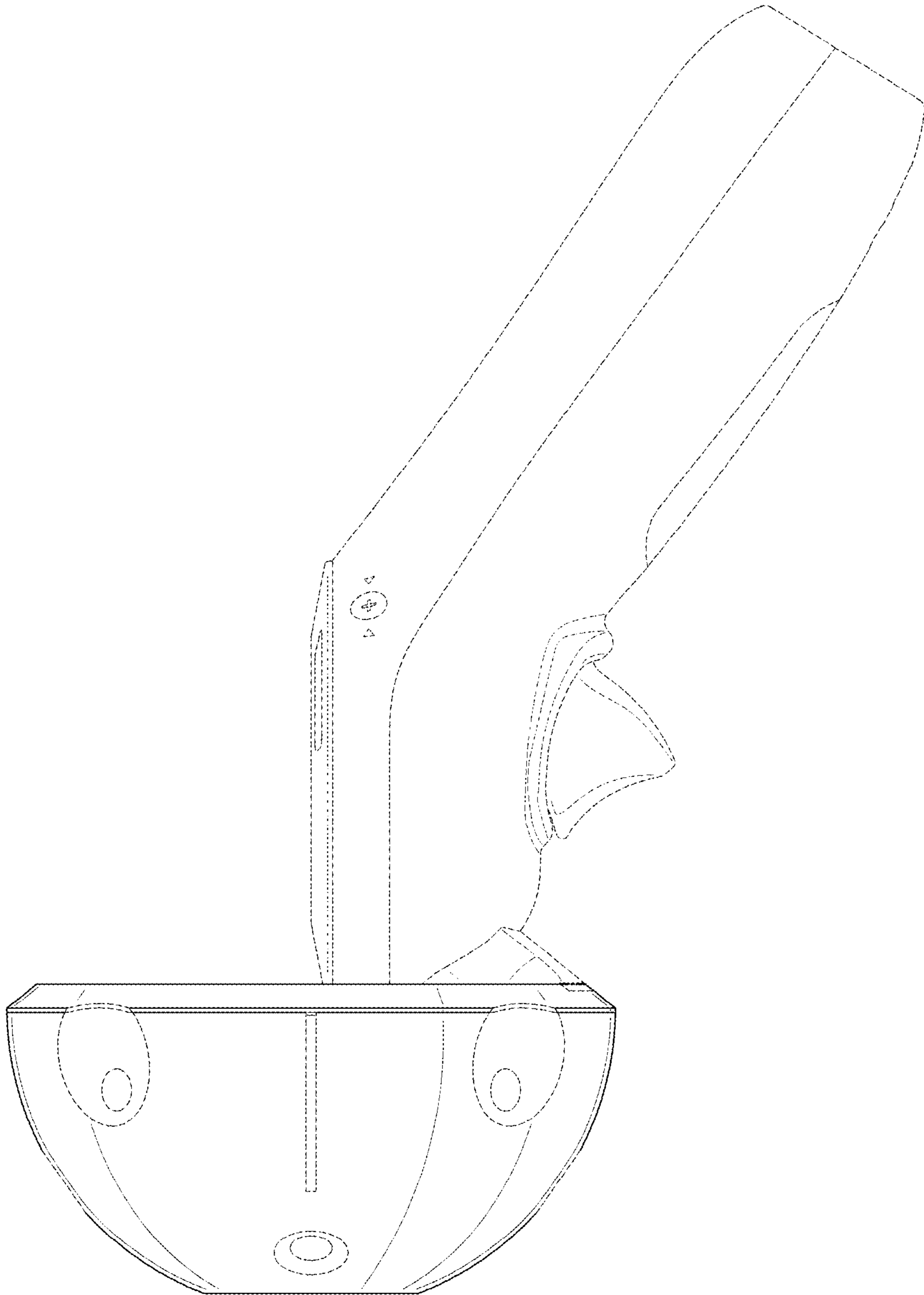


FIG. 4

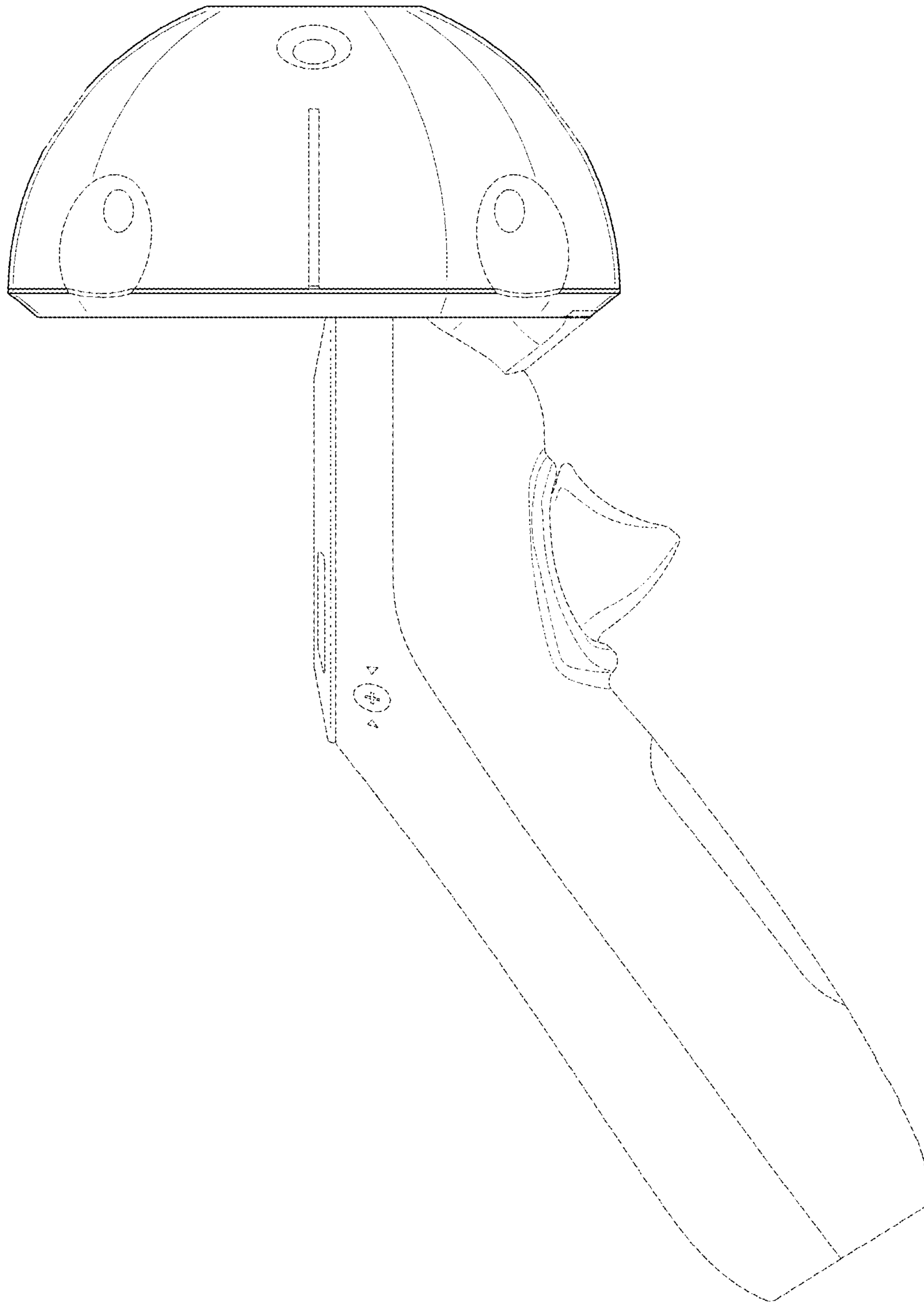


FIG. 5

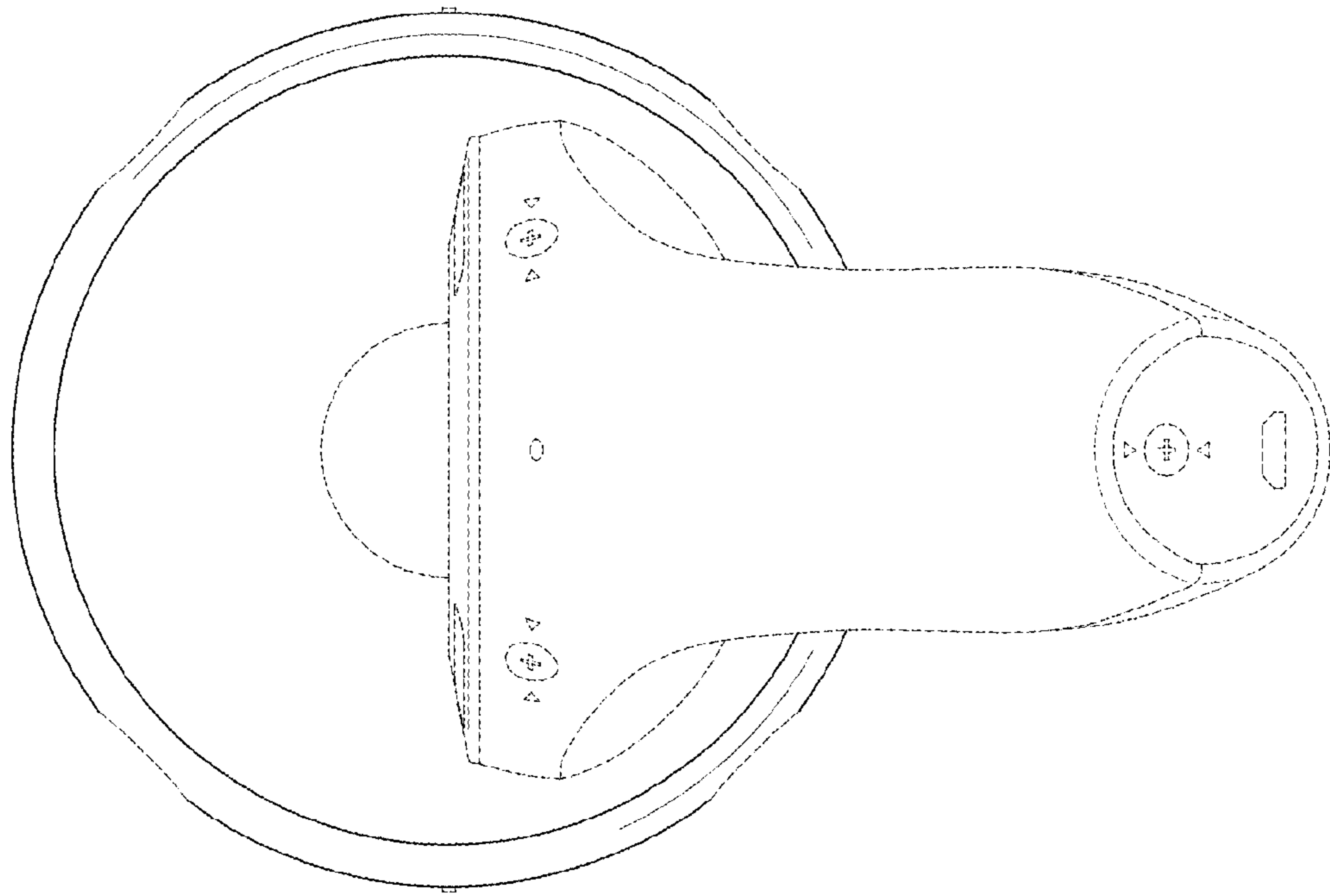


FIG. 7

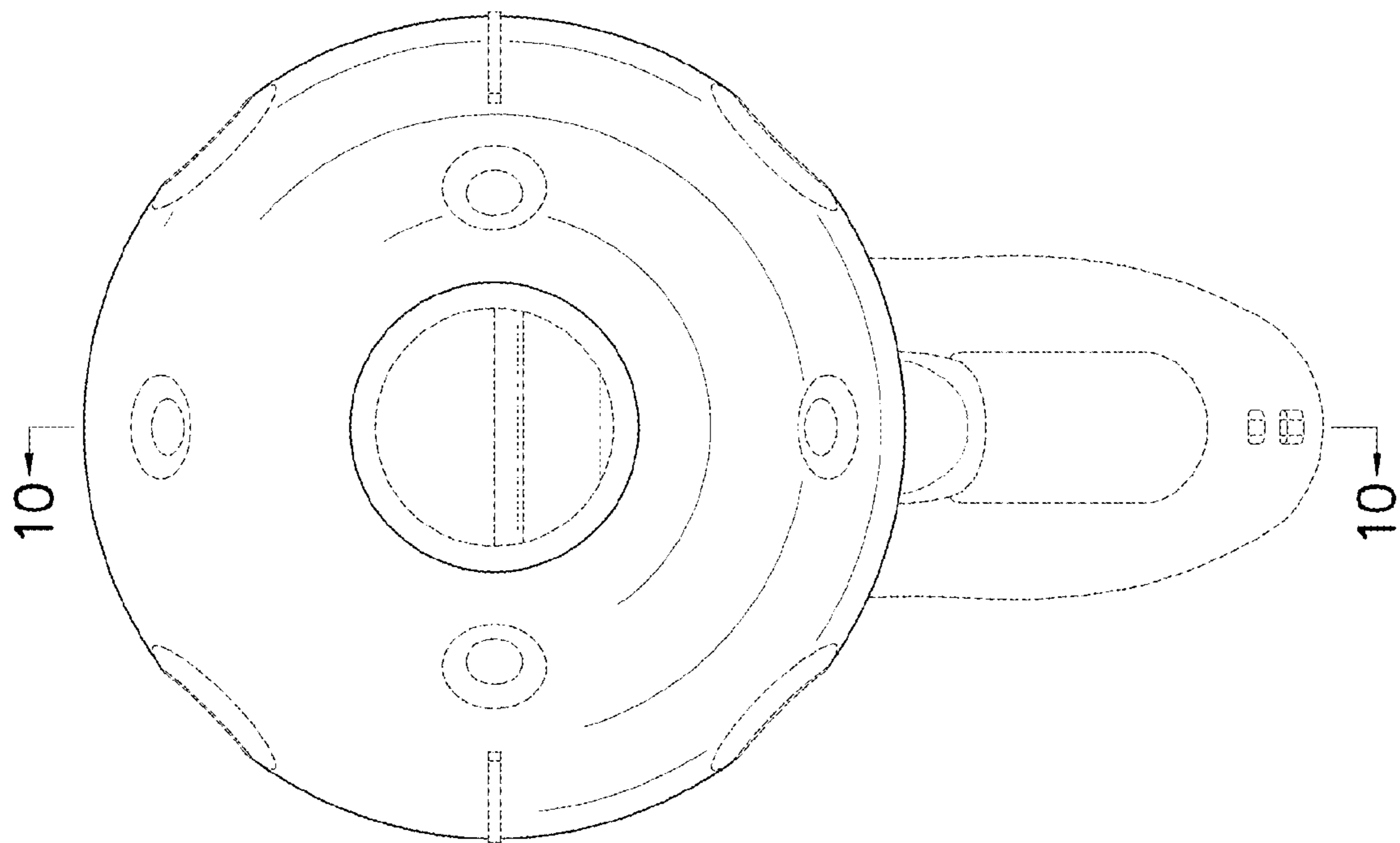


FIG. 6



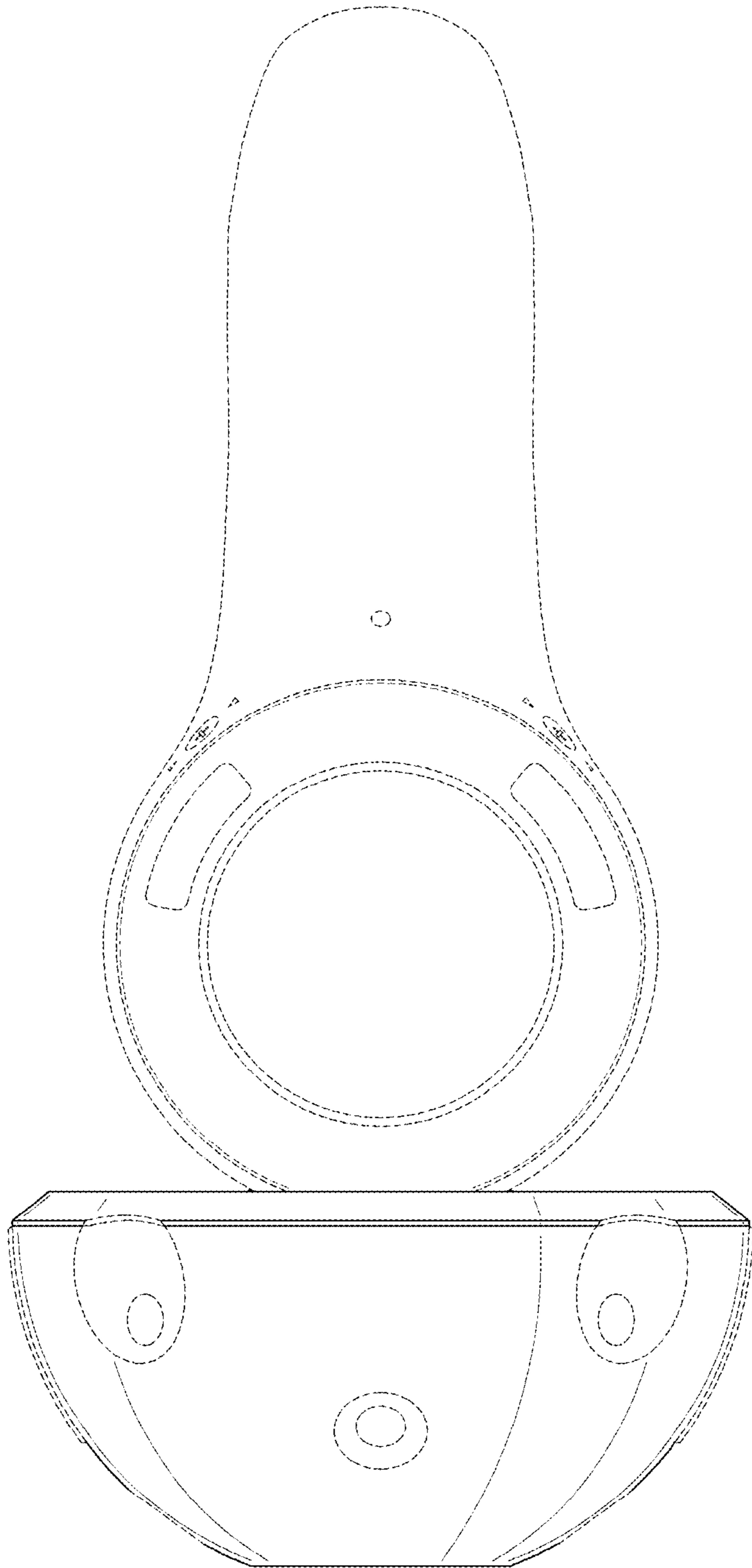


FIG. 8

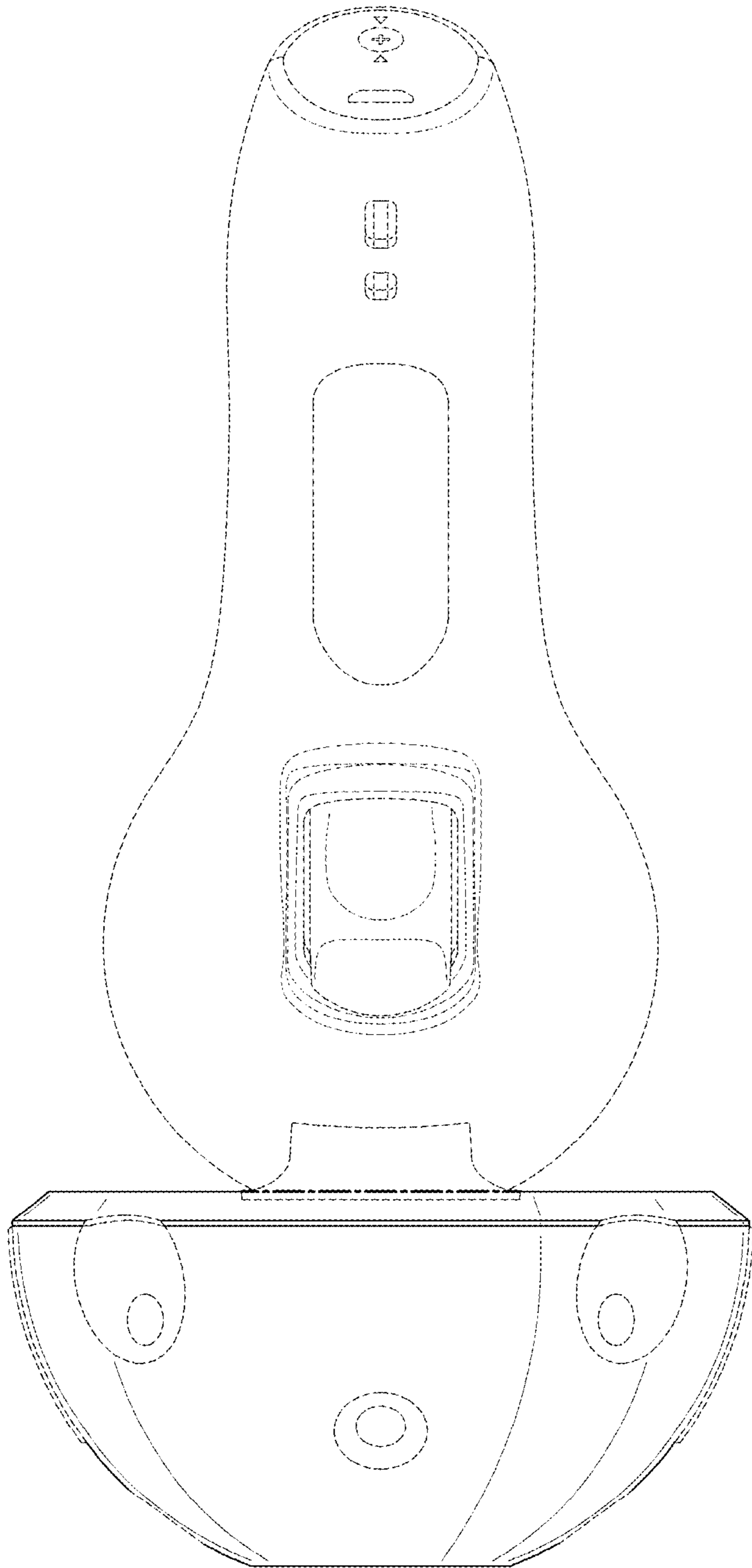


FIG. 9

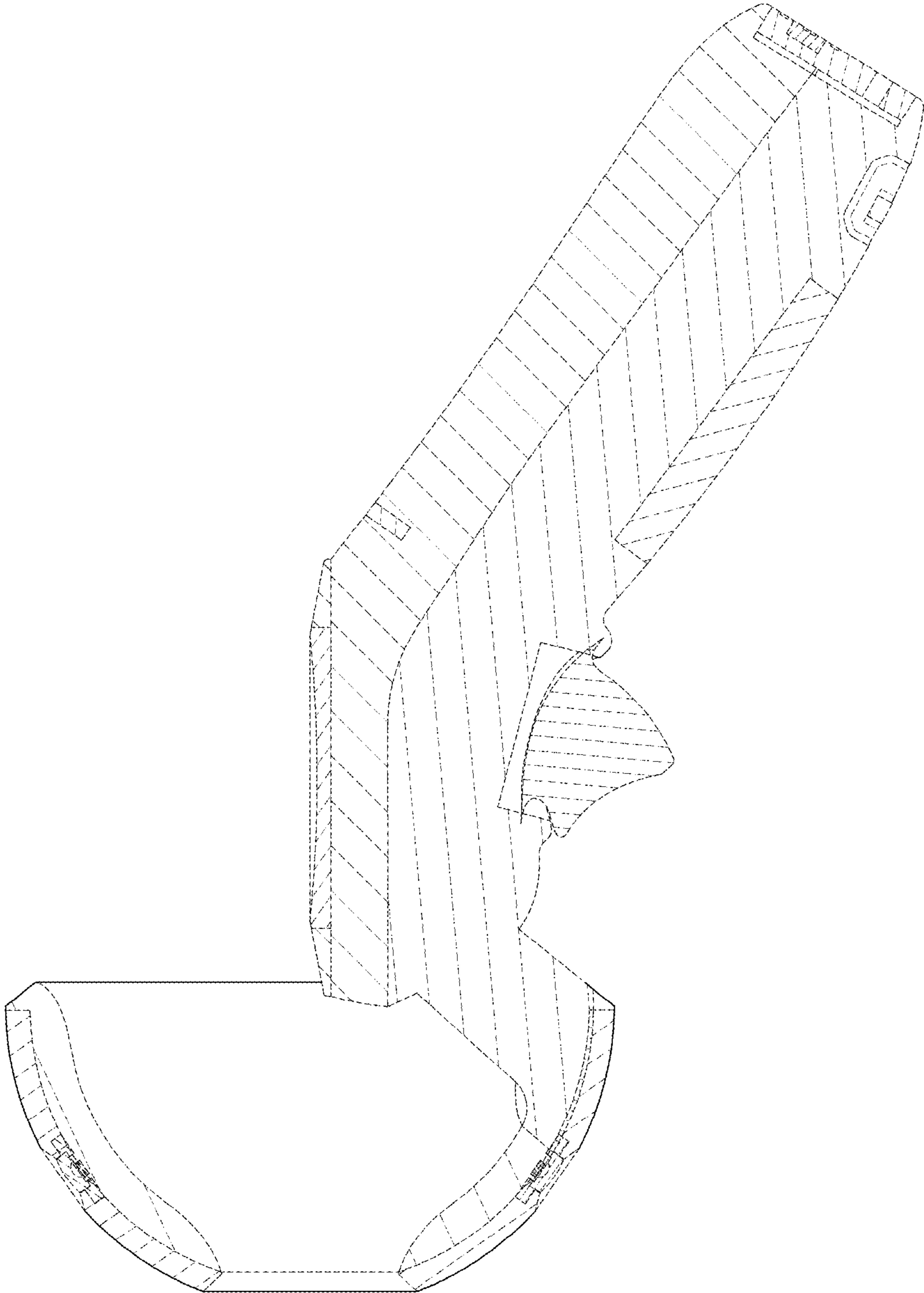


FIG. 10