



US00D891435S

(12) **United States Design Patent**
Cheng

(10) **Patent No.:** **US D891,435 S**

(45) **Date of Patent:** **** Jul. 28, 2020**

- (54) **TABLET CASE**
- (71) Applicant: **Ailin Cheng**, Guangzhou (CN)
- (72) Inventor: **Ailin Cheng**, Guangzhou (CN)
- (**) Term: **15 Years**
- (21) Appl. No.: **29/730,858**
- (22) Filed: **Apr. 9, 2020**
- (51) **LOC (12) Cl.** **14-02**
- (52) **U.S. Cl.**
USPC **D14/440**
- (58) **Field of Classification Search**
USPC D14/440, 447, 250; 206/45.23, 320,
206/45.2; 361/679.55; 294/25; 224/218
CPC ... G06F 1/1628; G06F 1/1626; A47B 23/044;
H04B 1/3888
See application file for complete search history.

- 8,797,132 B2 * 8/2014 Childs A45C 11/00
206/320
- D712,412 S * 9/2014 Bleau D14/440
- D721,075 S * 1/2015 Toda D14/342
- D721,376 S * 1/2015 Lee 14/440
- D725,659 S * 3/2015 Tussy D14/440
- D727,917 S * 4/2015 Yeo D14/440
- D733,154 S * 6/2015 Armstrong D14/440

(Continued)

Primary Examiner — Cynthia R Underwood

(74) *Attorney, Agent, or Firm* — HYIP

(57) **CLAIM**

The ornamental design for a tablet case, as shown and described.

DESCRIPTION

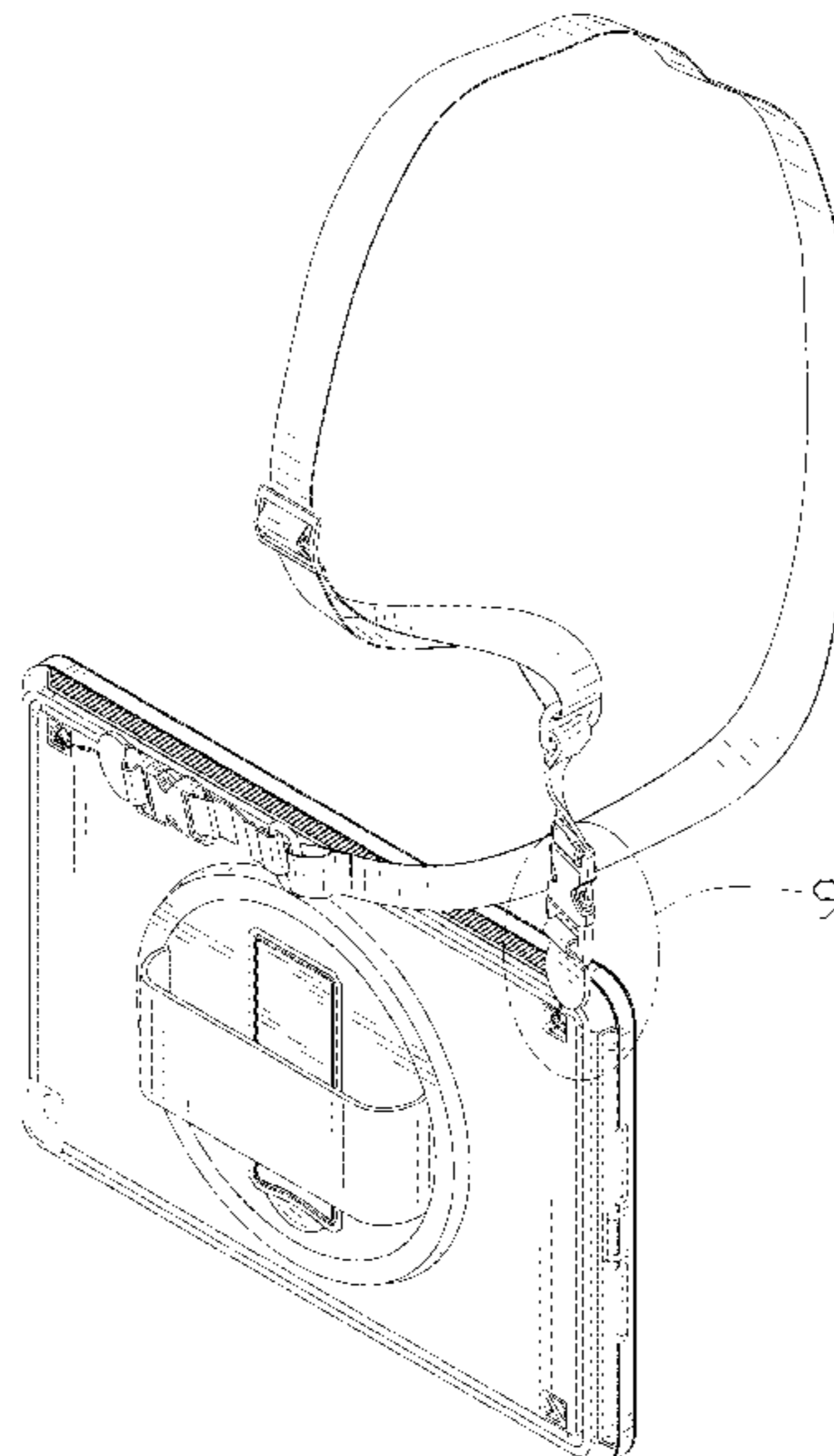
FIG. 1 is a first perspective view of a tablet case showing my new design;
 FIG. 2 is a second perspective view thereof;
 FIG. 3 is a front view thereof;
 FIG. 4 is a back view thereof;
 FIG. 5 is a left side view thereof;
 FIG. 6 is a right side view thereof;
 FIG. 7 is a top view thereof;
 FIG. 8 is a bottom view thereof;
 FIG. 9 is an enlarged view of the selected portion, in FIG. 1;
 FIG. 10 is an enlarged view of the selected portion in FIG. 2;
 FIG. 11 is an enlarged view of the selected portion in FIG. 5; and,
 FIG. 12 is an enlarged view of the selected portion in FIG. 7.
 The broken lines shown in the drawings that depict portions of the tablet case in which the design is embodied form no part of the claim. The broken lines encircling portions of the case are markers of where the enlarged and broken away figures are taken.

(56) **References Cited**

U.S. PATENT DOCUMENTS

- 6,726,070 B2 * 4/2004 Lautner A44C 5/0007
224/221
- D492,303 S * 6/2004 Schlieffers D14/341
- D591,801 S * 5/2009 Mak D21/469
- D594,004 S * 6/2009 Takemasa D14/341
- D611,467 S * 3/2010 Gou D14/315
- D613,285 S * 4/2010 Grant D14/341
- D626,123 S * 10/2010 Peng D14/324
- D676,449 S * 2/2013 Probst D14/440
- D685,376 S * 7/2013 Kim D14/439
- D689,056 S * 9/2013 Li D14/440
- D690,704 S * 10/2013 Padilla D14/440
- D691,144 S * 10/2013 Peters D14/440
- D691,146 S * 10/2013 Perez D14/440
- D694,246 S * 11/2013 Park D14/440
- D703,672 S * 4/2014 Kim D14/440
- 8,690,210 B1 * 4/2014 May A45F 5/00
224/217
- D705,767 S * 5/2014 Yoon D14/250

1 Claim, 12 Drawing Sheets



(56)

References Cited

U.S. PATENT DOCUMENTS

D733,420 S * 7/2015 Archambeau D3/217
 D741,335 S * 10/2015 Bastian D14/440
 D747,321 S * 1/2016 London D14/440
 D749,592 S * 2/2016 Huang D14/440
 D752,052 S * 3/2016 Park D14/440
 D754,666 S * 4/2016 Tiffen D14/440
 D763,853 S * 8/2016 Pearce D14/440
 D765,085 S * 8/2016 Moore D14/440
 9,407,743 B1 * 8/2016 Hirshberg H04M 1/04
 D766,249 S * 9/2016 Veltz D14/440
 D771,030 S * 11/2016 Tussy D14/250
 D784,350 S * 4/2017 Li D14/440
 D794,007 S * 8/2017 Zhang D14/250
 D794,625 S * 8/2017 Armstrong D14/250
 D797,106 S * 9/2017 Paolizzi D14/426
 D803,222 S * 11/2017 Cheng D14/440
 D806,083 S * 12/2017 Armstrong D14/440
 D807,366 S * 1/2018 Chen D14/440
 D817,316 S * 5/2018 Srour D14/251
 D821,405 S * 6/2018 Chen D14/440
 D830,367 S * 10/2018 Chang D14/440
 D835,624 S * 12/2018 Li D14/440
 D845,305 S * 4/2019 Xu
 D870,115 S * 12/2019 Han D14/440
 D871,415 S * 12/2019 Lin
 D872,093 S * 1/2020 Xu

2004/0226973 A1 * 11/2004 Kao F16M 11/041
 224/218
 2007/0215512 A1 * 9/2007 Bellissimo A47G 23/0625
 206/557
 2008/0302687 A1 * 12/2008 Sirichai A45C 11/00
 206/320
 2009/0194209 A1 * 8/2009 De Filippis A45C 11/00
 150/107
 2009/0219677 A1 * 9/2009 Mori A45F 3/14
 361/679.03
 2011/0267748 A1 * 11/2011 Lane A45F 5/00
 361/679.01
 2011/0309117 A1 * 12/2011 Roberts A45F 5/00
 224/217
 2012/0091312 A1 * 4/2012 Baker F16M 13/00
 248/682
 2014/0054910 A1 * 2/2014 Kim H04B 1/385
 294/158
 2014/0152034 A1 * 6/2014 Tussy F16M 13/04
 294/142
 2015/0009610 A1 * 1/2015 London G06F 1/163
 361/679.03
 2015/0068934 A1 * 3/2015 Armstrong A45C 11/00
 206/320
 2015/0201743 A1 * 7/2015 Erickson-Davis A45F 5/00
 224/218
 2017/0045920 A1 * 2/2017 Armstrong G06F 1/1669

* cited by examiner

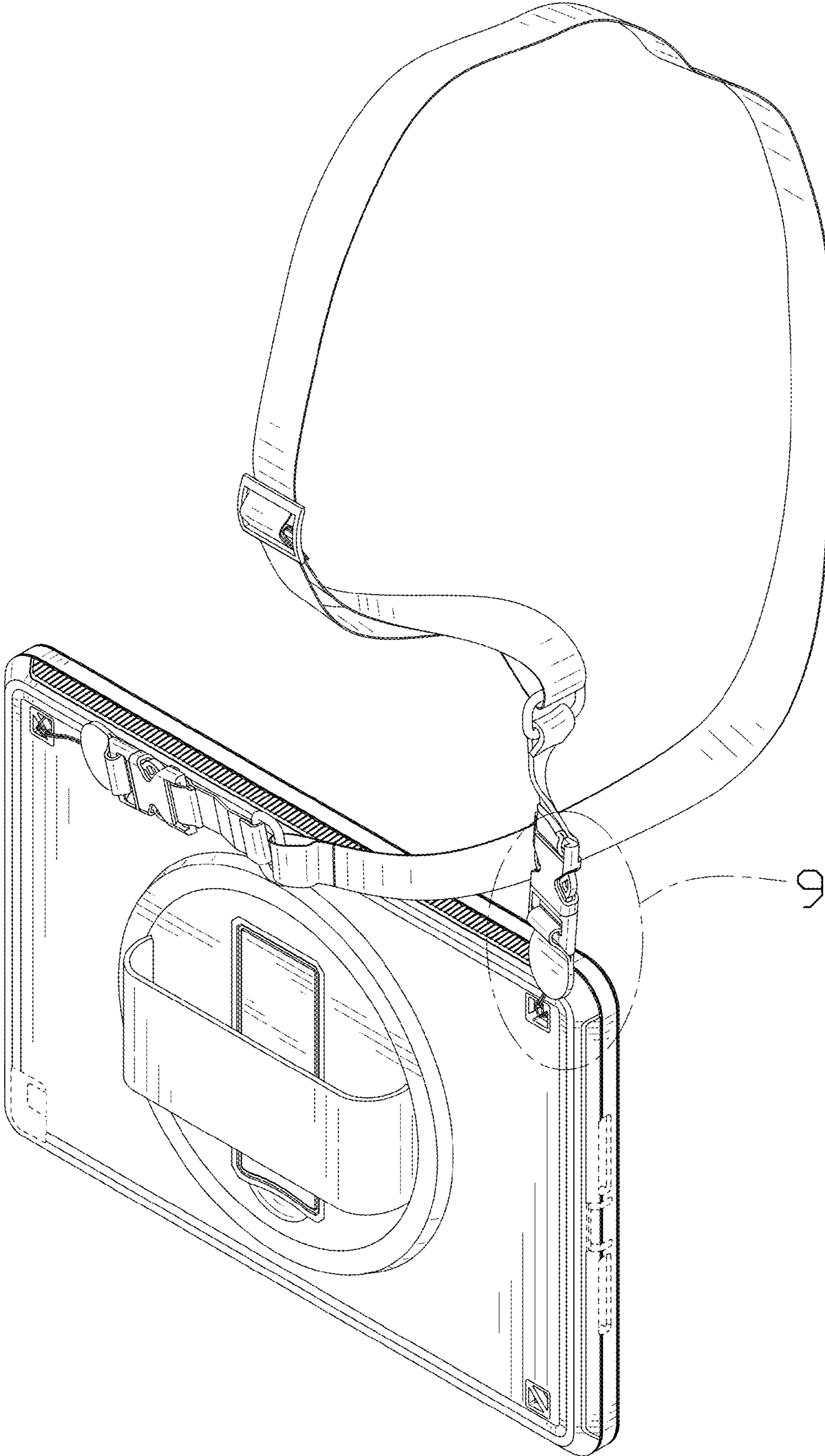


FIG. 1

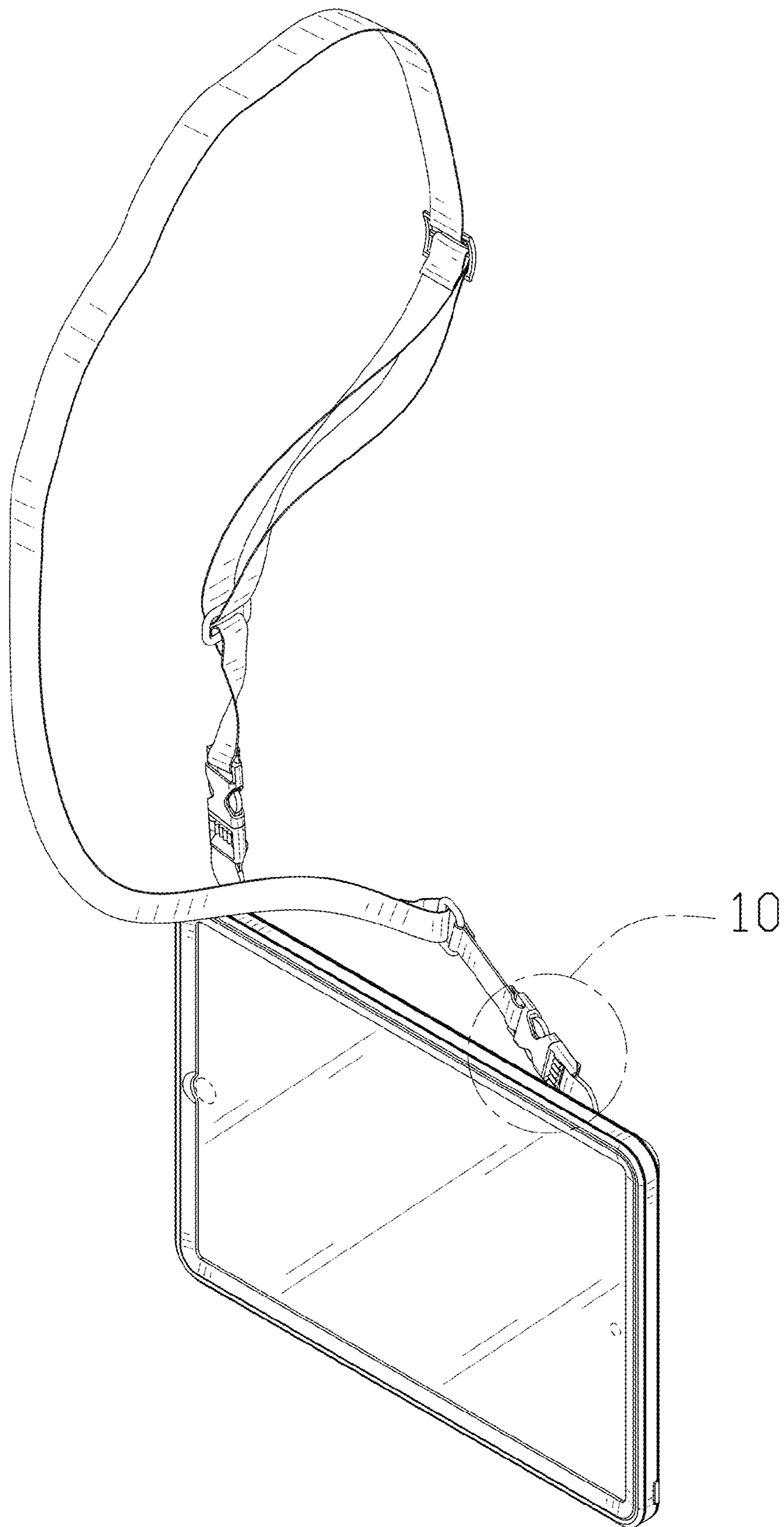


FIG. 2

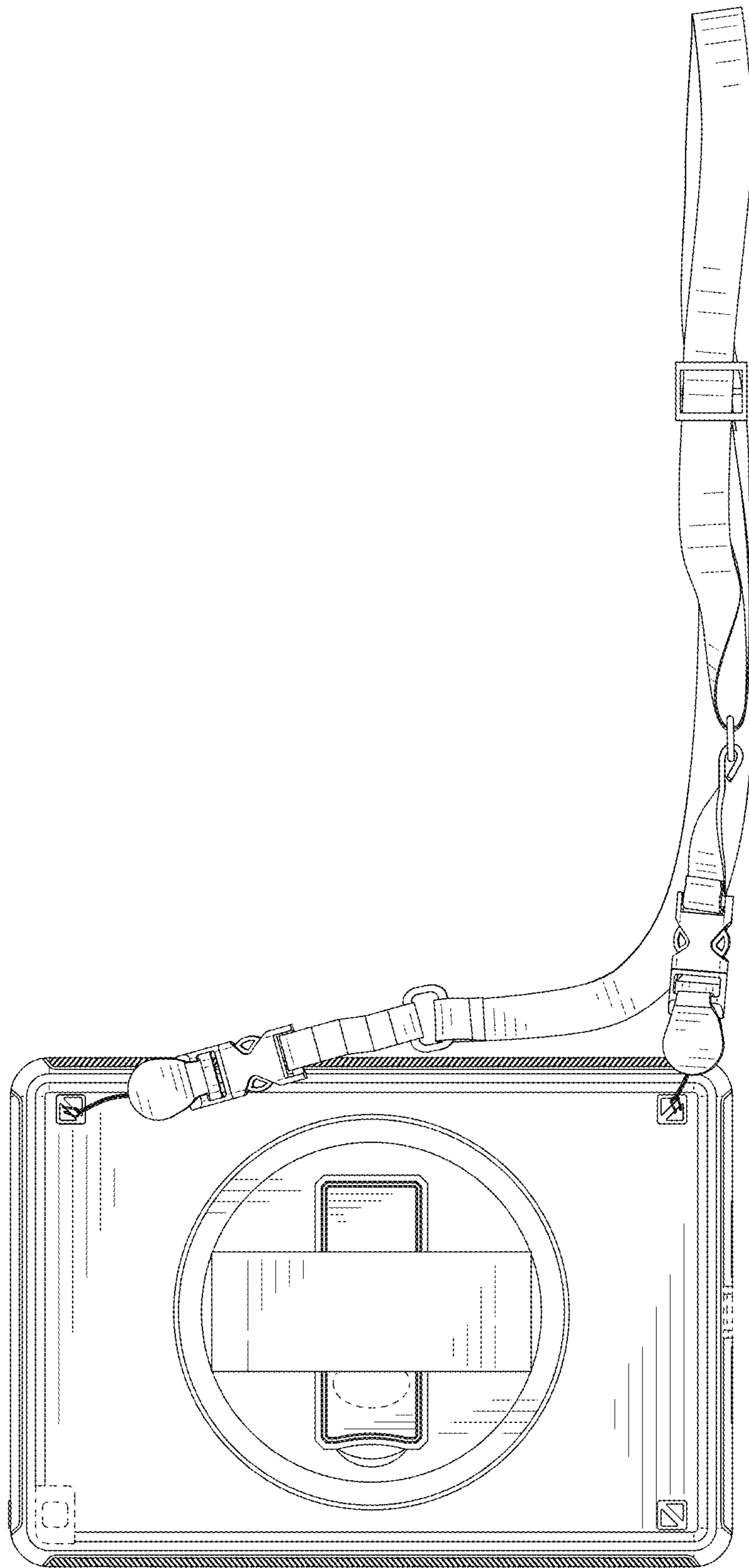


FIG. 3

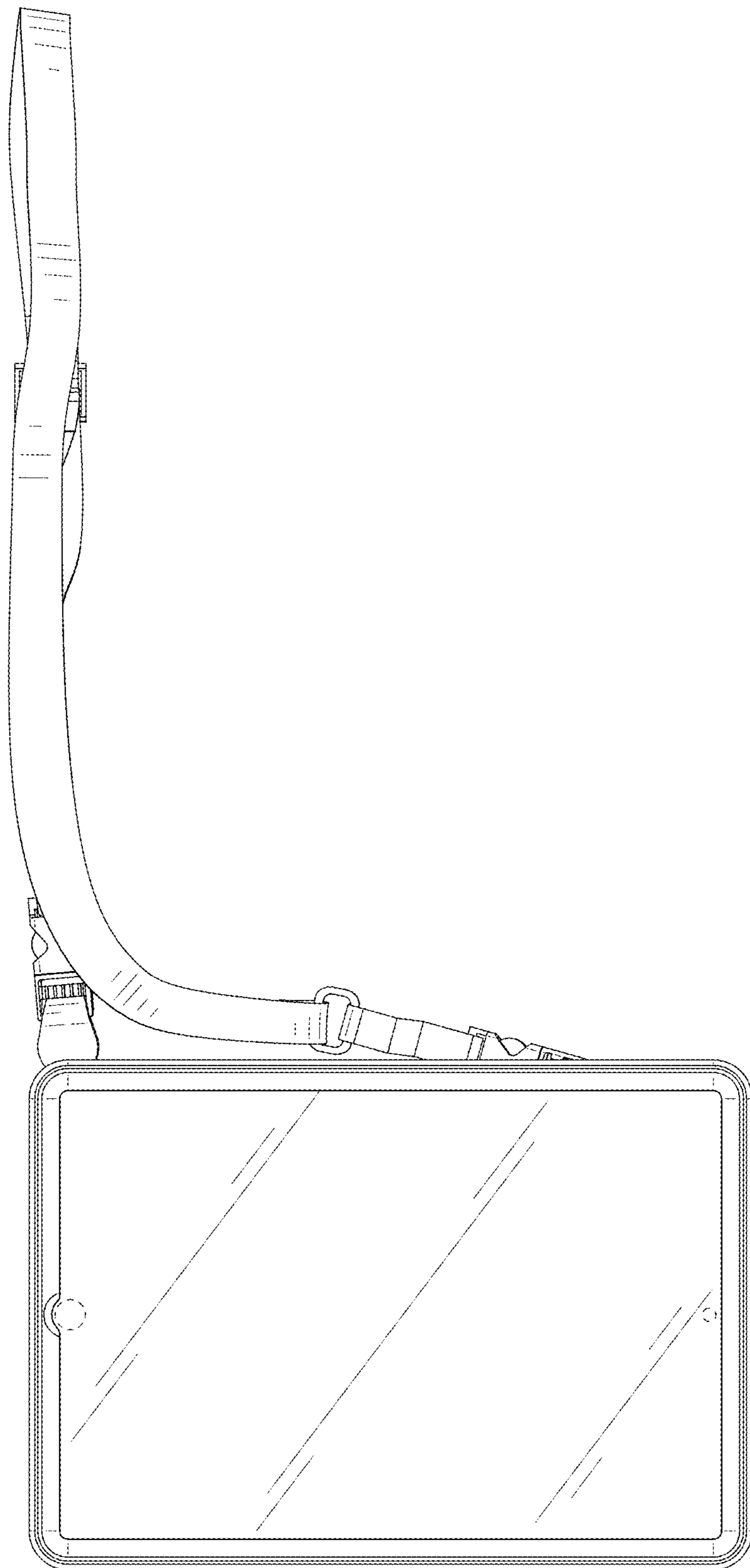


FIG. 4

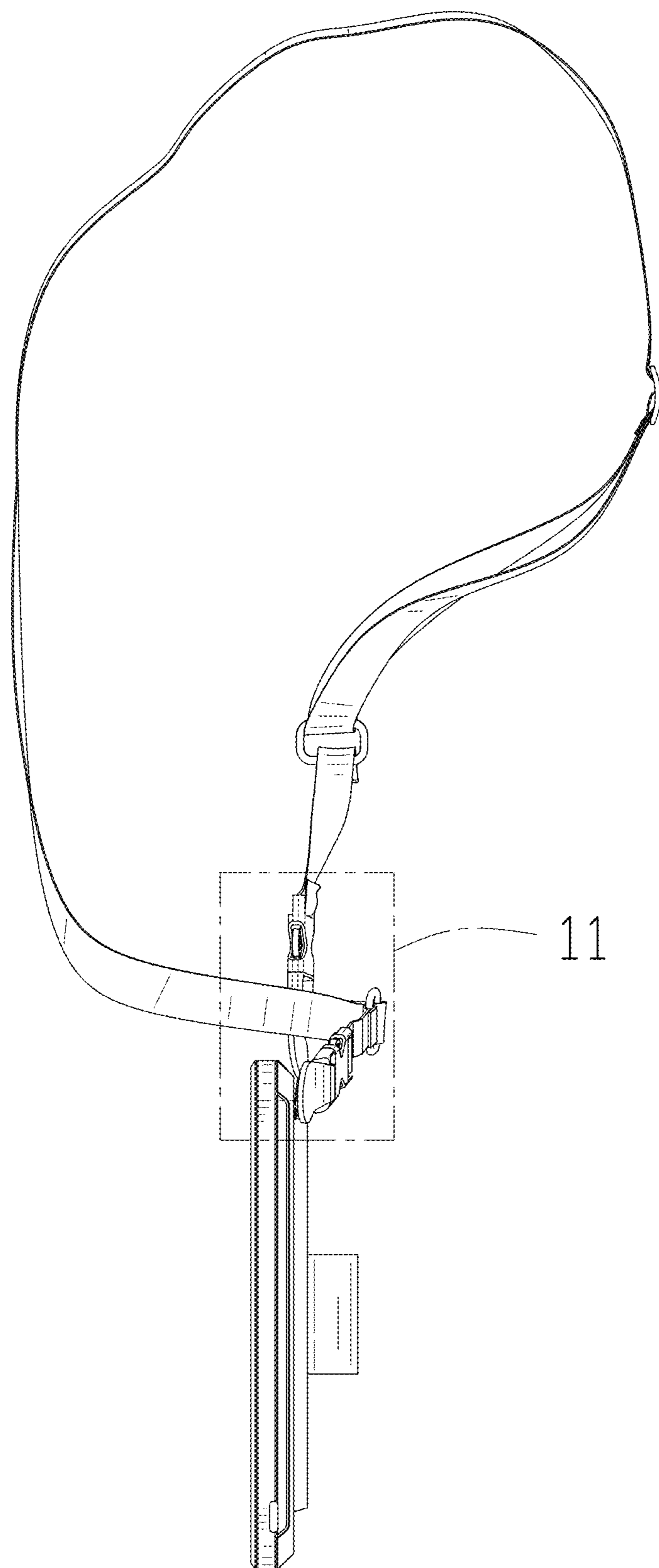


FIG. 5

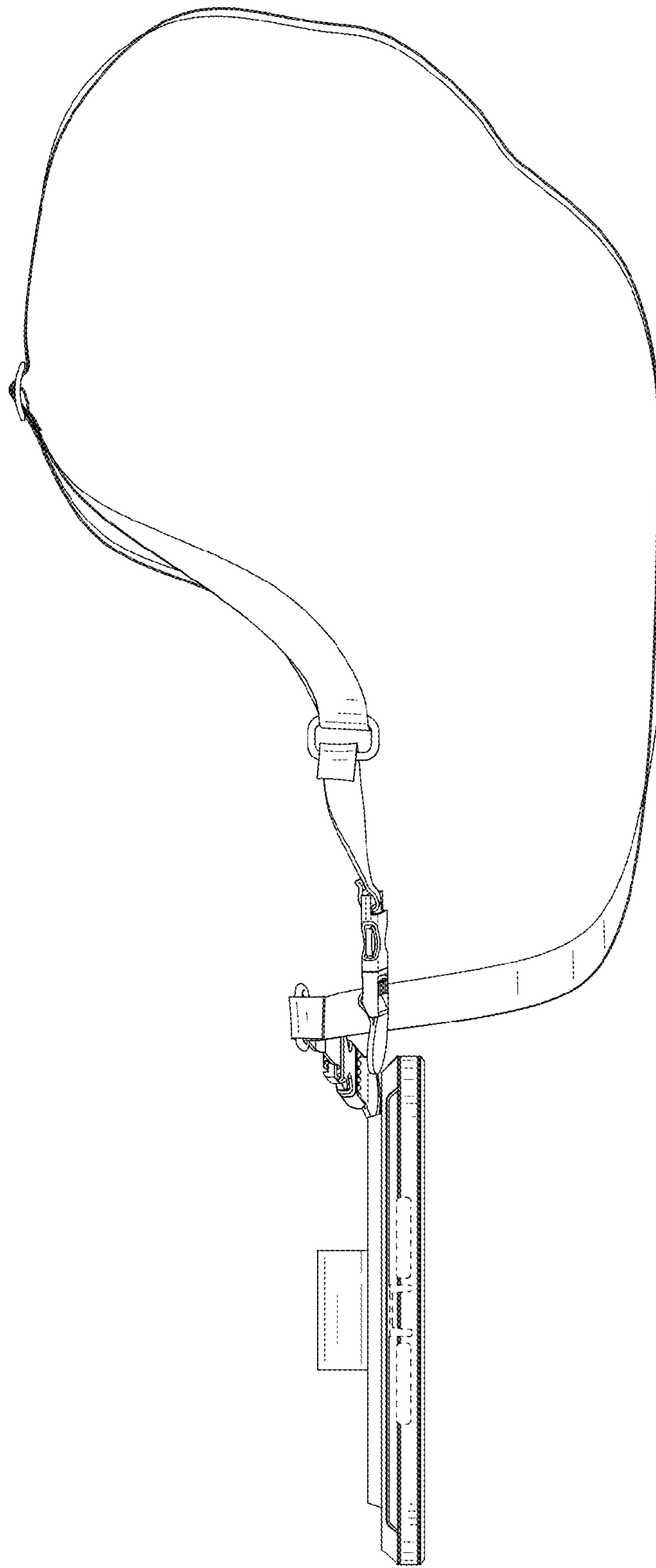


FIG. 6

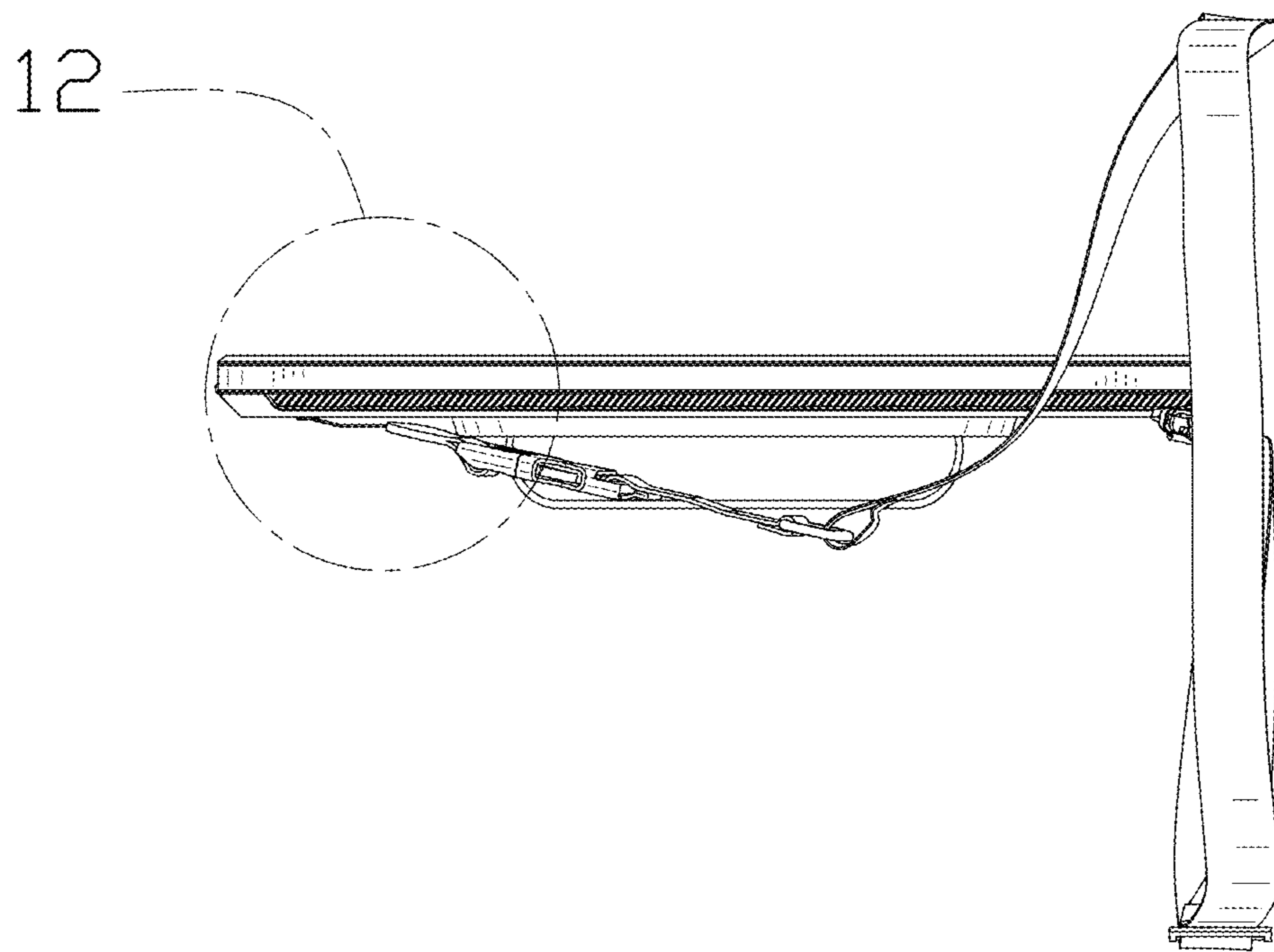


FIG. 7

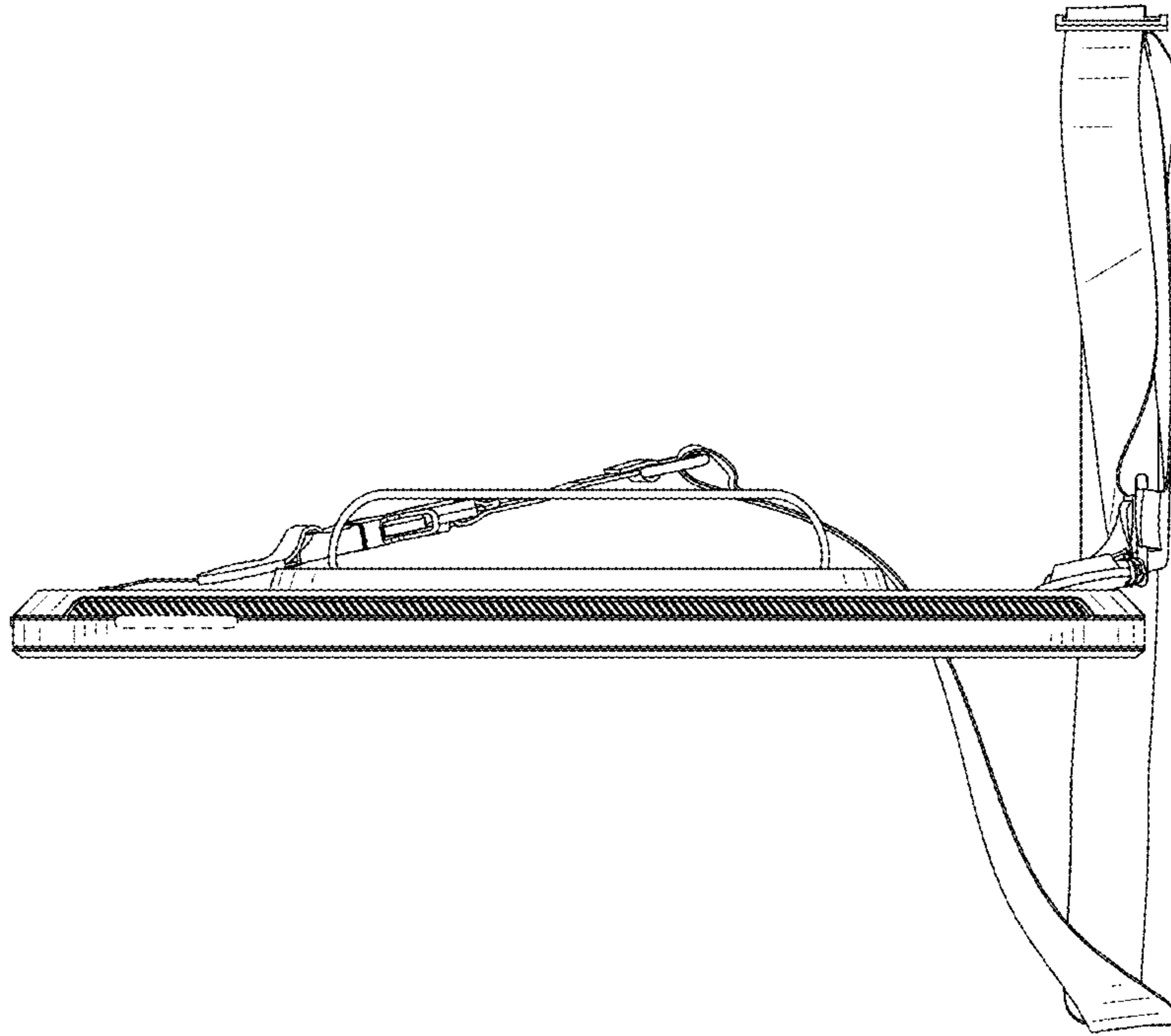


FIG. 8

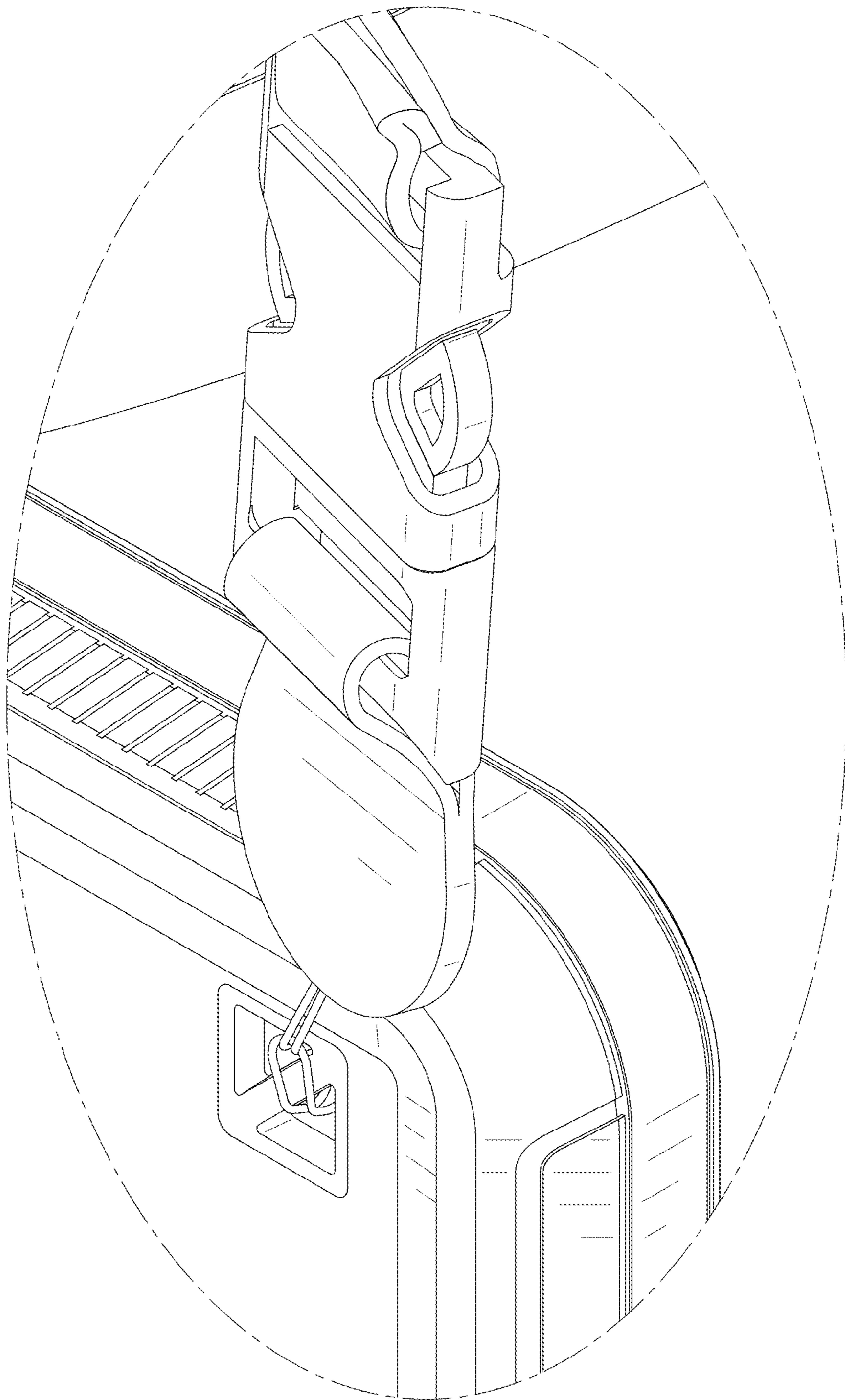


FIG. 9

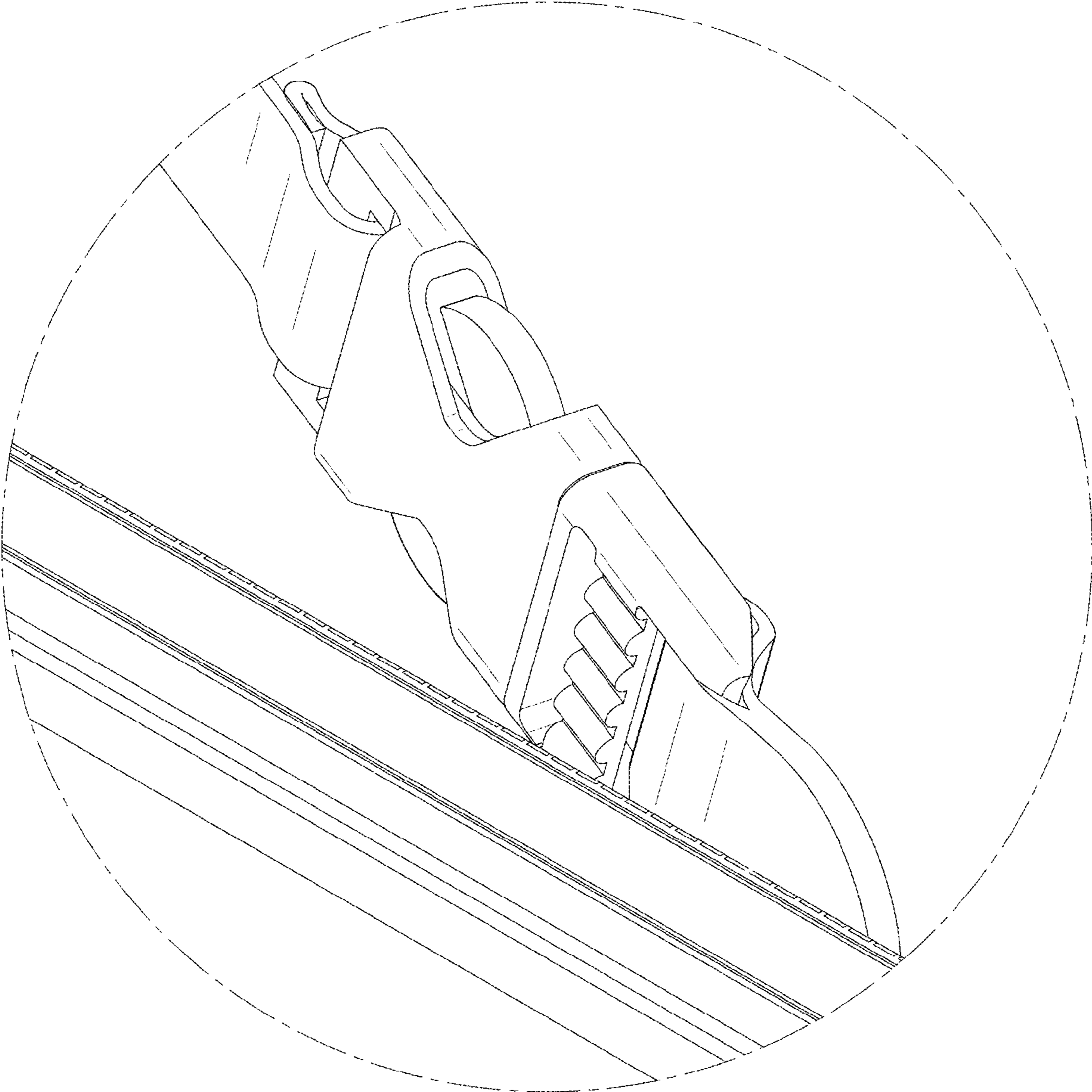


FIG. 10

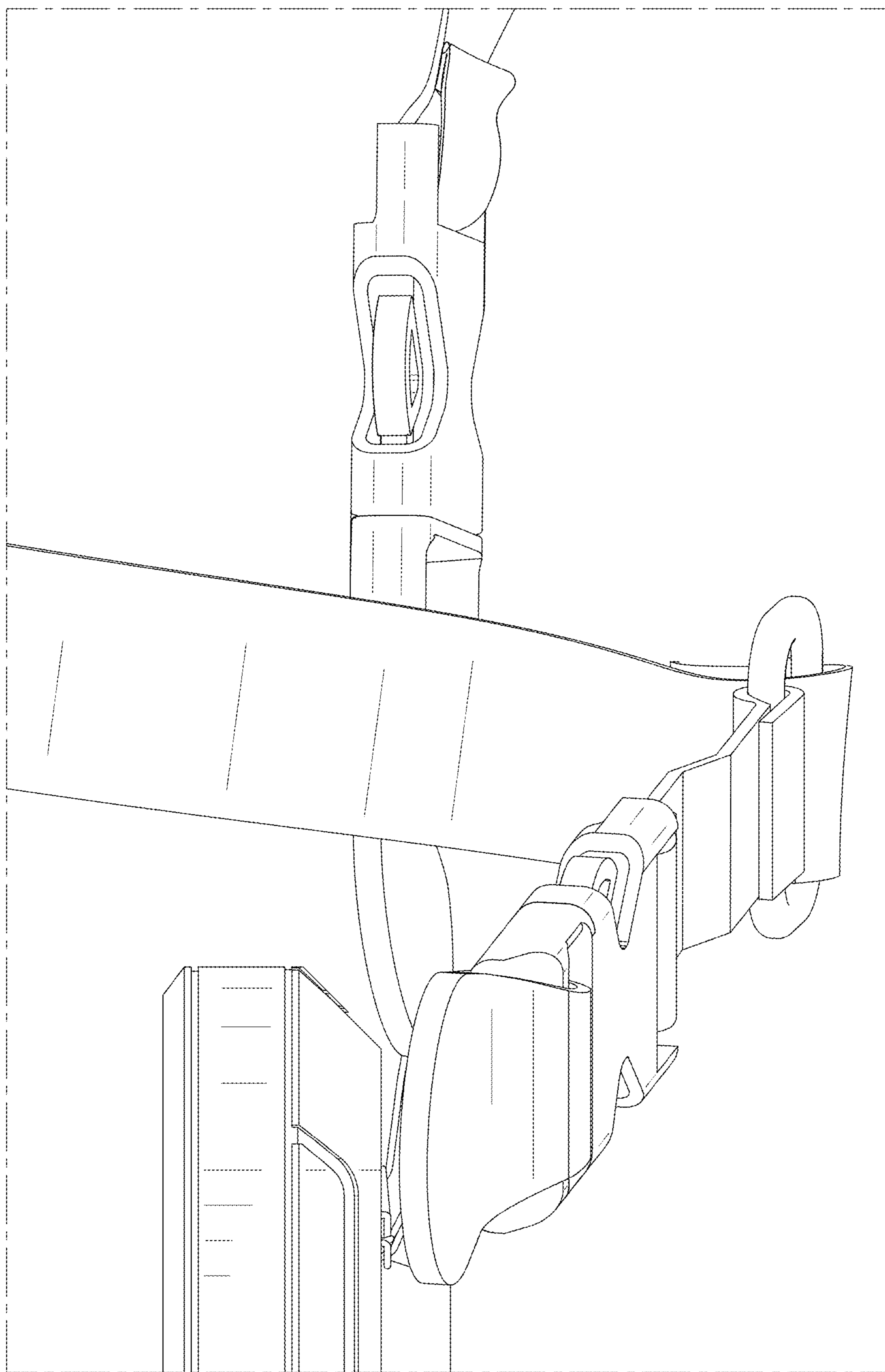


FIG. 11

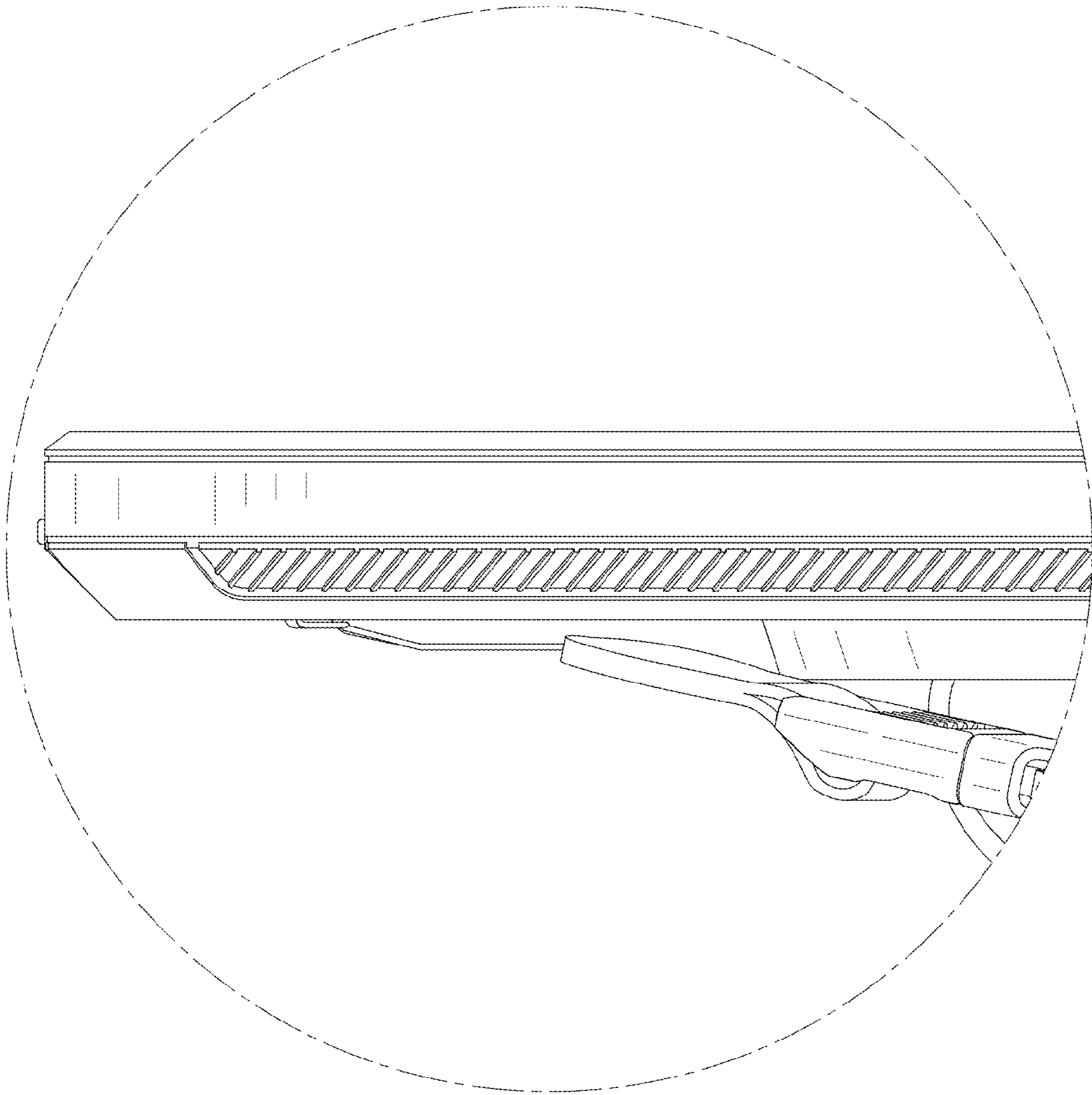


FIG. 12