



US00D891433S

(12) **United States Design Patent**
Chin

(10) **Patent No.:** **US D891,433 S**
(45) **Date of Patent:** **** Jul. 28, 2020**

(54) **USB ADAPTER APPARATUS**
(71) Applicant: **Kien Hoe Daniel Chin**, Fremont, CA (US)
(72) Inventor: **Kien Hoe Daniel Chin**, Fremont, CA (US)

6,722,917 B2 4/2004 Huang
D490,404 S 5/2004 Chan
6,733,329 B2 5/2004 Yang
6,874,907 B2 4/2005 Liao
6,979,210 B2 12/2005 Regen et al.
7,140,919 B2 1/2006 Yu
D516,074 S 2/2006 Ho et al.

(Continued)

(**) Term: **15 Years**

FOREIGN PATENT DOCUMENTS

(21) Appl. No.: **29/710,505**

TW 579397 U * 6/2019

(22) Filed: **Oct. 23, 2019**

Primary Examiner — Marie D. Fast Horse

(74) *Attorney, Agent, or Firm* — Alexander Chen, Esq.

Related U.S. Application Data

(63) Continuation-in-part of application No. 29/668,987, filed on Nov. 4, 2018.

(51) **LOC (12) Cl.** **14-02**

(52) **U.S. Cl.**

USPC **D14/433**; D14/434; D14/357

(58) **Field of Classification Search**

USPC ... D14/434, 433, 435, 435.1, 356, 357, 358, D14/440, 447, 251–253, 432, 451, 452, D14/454, 217, 240, 299, 496, 171; D13/103, 107, 108, 184, 110, 123, 133, D13/135; D21/333

CPC G06F 1/1632; G06F 13/00; G06F 13/38; G06F 13/382; G06F 13/385; G06F 13/387; G06F 3/065; G06F 9/541; G06F 2213/3814; G06F 2213/40; G06F 2213/4004; H01R 31/06; H01R 31/065; H01R 27/00; H01R 13/512; H01R 13/62; H04R 5/04

See application file for complete search history.

(56) **References Cited**

U.S. PATENT DOCUMENTS

D413,312 S * 8/1999 Suzuki D14/434
D477,603 S 7/2003 Chen
D484,136 S 12/2003 Ivan et al.

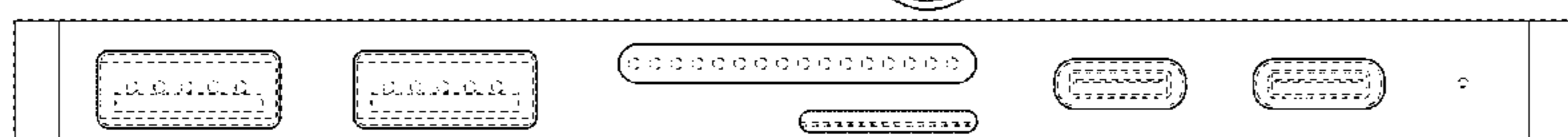
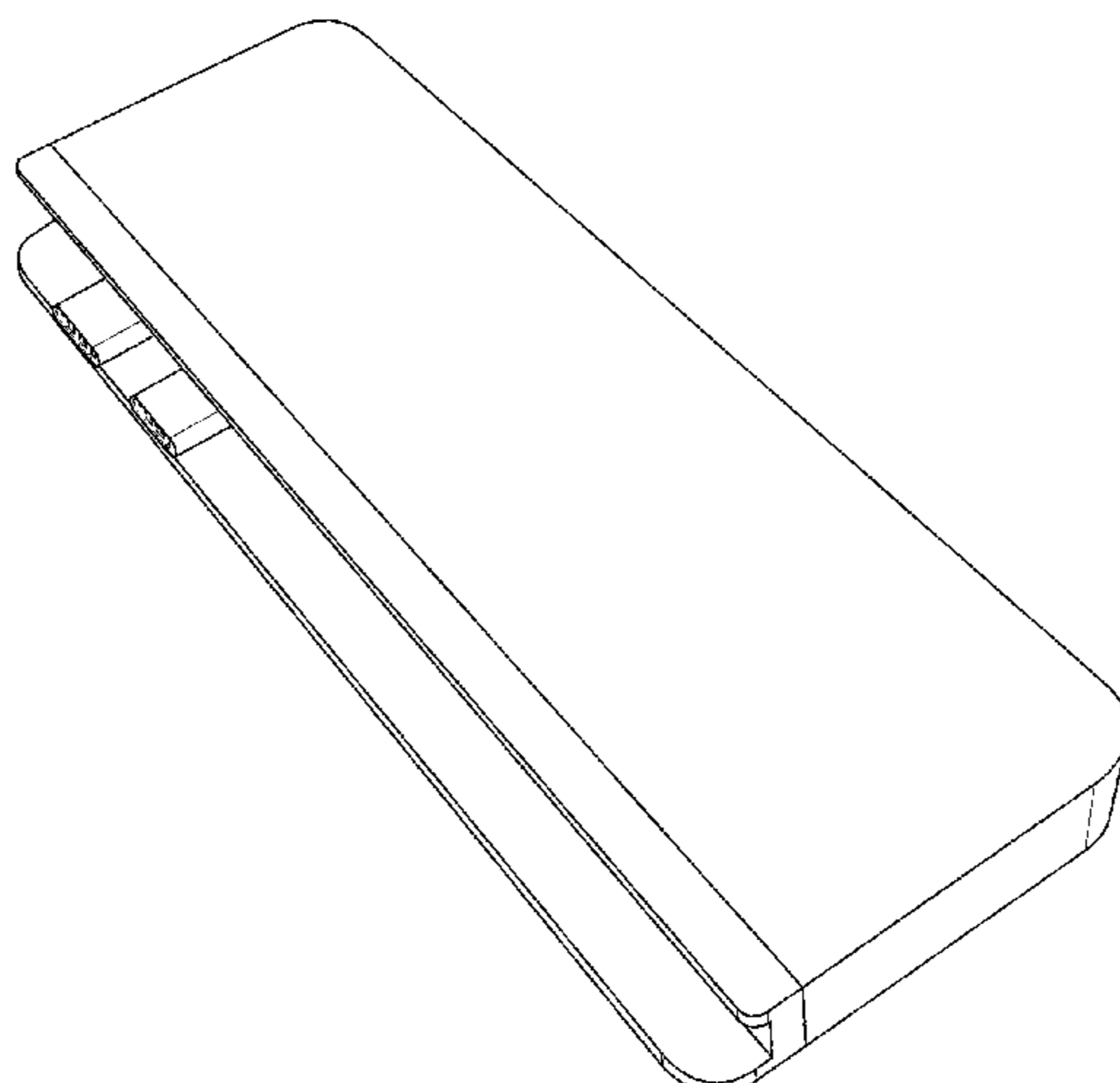
(57) **CLAIM**

The ornamental design for a USB adapter apparatus, as shown and described.

DESCRIPTION

FIG. 1 is a perspective view of an USB adapter apparatus; FIG. 2 is a side view thereof; FIG. 3 is a side view thereof; FIG. 4 is a front view thereof; FIG. 5 is a back view thereof; FIG. 6 is a top view thereof; FIG. 7 is a partially exploded view thereof; FIG. 8 is a partially exploded view thereof; FIG. 9 is a partially exploded view thereof; FIG. 10 is a perspective view thereof, shown with an attached environmental cable; FIG. 11 is a partially exploded view thereof, shown with a detached environmental cable; and, FIG. 12 is a partially exploded view thereof, shown with a detached environmental cable. The broken lines in FIGS. 10, 11, and 12 showing the additional cable depict environmental structure only and form no part of the claim, while all other broke lines depict portions of the USB adapter apparatus that form no part of the claimed design.

1 Claim, 10 Drawing Sheets



(56)

References Cited

U.S. PATENT DOCUMENTS

7,090,515 B2	4/2006	Regen et al.	
7,052,287 B1	5/2006	Ni et al.	
7,070,425 B2	7/2006	Regen et al.	
7,074,052 B1	7/2006	Ni et al.	
D530,717 S	10/2006	Mori et al.	
7,165,998 B2	1/2007	Lee	
7,171,502 B2	1/2007	Jeon et al.	
D537,036 S	2/2007	Chen	
7,252,518 B1	8/2007	Ni	
D559,848 S	1/2008	Siu	
D559,849 S	1/2008	Siu	
D560,165 S *	1/2008	Matityahu	D13/133
D570,845 S	6/2008	Liu et al.	
D570,846 S	6/2008	Liu et al.	
D571,372 S	6/2008	Brefka et al.	
7,407,390 B1	8/2008	Ni	
D576,166 S	9/2008	Mori et al.	
7,428,605 B2	9/2008	Ni et al.	
7,458,825 B2	12/2008	Atsmon et al.	
7,470,148 B1	12/2008	Su et al.	
7,479,042 B2	1/2009	Chen	
D586,347 S	2/2009	Cheng	
7,507,119 B2	3/2009	Ni et al.	
7,565,467 B2	7/2009	Nagase	
7,575,481 B1	8/2009	Liu	
D599,346 S	9/2009	Thia et al.	
D599,800 S	9/2009	Klein	
7,771,234 B2	1/2010	Chuang	
7,802,997 B2	1/2010	Kuo	
7,748,995 B1	7/2010	Lee	
7,761,627 B2	7/2010	Christison et al.	
D624,548 S	9/2010	Yamamoto	
7,798,853 B2	9/2010	Shi et al.	
7,824,186 B2	9/2010	Zhao et al.	
7,815,469 B1	10/2010	Nguyen et al.	
D627,784 S	11/2010	Yamamoto	
7,824,227 B1	11/2010	Lee et al.	
7,828,599 B2	11/2010	Zhao et al.	
7,833,056 B1	11/2010	Lee et al.	
D629,002 S	12/2010	Bau	
D629,805 S	12/2010	Nysen et al.	
D629,806 S	12/2010	Ho et al.	
7,862,377 B2	1/2011	Shiu et al.	
8,075,318 B2	2/2011	Zhao et al.	
7,927,145 B1	4/2011	Chang	
8,062,067 B2	4/2011	Shiu et al.	
7,942,691 B1	5/2011	McSweyn	
7,946,891 B2	5/2011	Peiker	
7,985,082 B2	7/2011	Sun	
8,235,746 B2	1/2012	He	
8,135,883 B2	3/2012	Monks et al.	
8,172,585 B2	5/2012	Chiu et al.	
8,192,211 B1	6/2012	Huang	
8,194,408 B2	6/2012	Chou et al.	
8,206,163 B2	6/2012	Zhao et al.	
D664,146 S	7/2012	Hoehn et al.	
8,262,416 B2	9/2012	Nguyen et al.	
D670,290 S	11/2012	Dalton	
D670,291 S	11/2012	Dalton	
8,366,490 B2	2/2013	Wu	
8,366,491 B2	2/2013	Wu	
D678,285 S	3/2013	Chen	
D678,286 S	3/2013	Cheng	
8,403,706 B2	3/2013	Wu	
8,414,331 B2	4/2013	Chang	
8,419,479 B2 *	4/2013	Vroom	H01R 13/512 361/679.45
8,430,690 B2	4/2013	Su et al.	
8,444,423 B2	5/2013	Nguyen et al.	
8,480,435 B2	7/2013	Hsiao et al.	
8,480,436 B2	7/2013	Chang	
8,500,463 B2	8/2013	Tsai et al.	
8,540,533 B2	9/2013	Zhao et al.	
D691,139 S	10/2013	Koefoed	
D691,140 S	10/2013	Huang	
8,545,269 B2	10/2013	Ore-Yang	
8,721,370 B2	5/2014	Liu et al.	
8,734,182 B2	5/2014	Peng et al.	
8,758,031 B2	6/2014	Cheng et al.	
D709,891 S	7/2014	Alesi et al.	
D709,892 S	7/2014	Lui	
D711,884 S	8/2014	Turksu et al.	
D714,293 S	9/2014	Kelly et al.	
D715,797 S	10/2014	Hiraga	
D716,309 S	10/2014	Krenkler	
8,870,601 B2	10/2014	Lee	
D717,305 S	11/2014	Alesi et al.	
8,900,013 B2	12/2014	Li et al.	
8,900,016 B2	12/2014	Chan	
8,900,017 B2	12/2014	Chan	
8,961,206 B1	2/2015	Chen et al.	
D728,467 S	5/2015	Hasbrook	
D732,536 S	6/2015	Kang et al.	
9,112,315 B2	8/2015	Chang	
D737,825 S	9/2015	Kumar et al.	
D740,291 S	10/2015	Turksu	
9,153,926 B2	10/2015	Wu	
D746,290 S	12/2015	Spinella	
D747,722 S	1/2016	Webb	
D753,662 S	4/2016	Arrington	
9,413,126 B2	8/2016	Pocrass	
9,462,705 B2	10/2016	Miller	
D772,879 S	11/2016	Eliyahu	
9,559,454 B2	1/2017	Wang	
9,577,392 B2	2/2017	Chang	
D782,485 S	3/2017	Cai	
D783,619 S	4/2017	Couture et al.	
D784,338 S	4/2017	Lee et al.	
D785,632 S	5/2017	Vanduyne	
D786,874 S	5/2017	Eliyahu	
D788,777 S	6/2017	Bargetzi	
9,715,472 B2	7/2017	Chang	
D793,397 S	8/2017	Eliyahu	
D793,398 S	8/2017	Feldstein	
D793,399 S	8/2017	Feldstein et al.	
D794,028 S	8/2017	Lin	
D794,029 S	8/2017	Lin	
D796,513 S	9/2017	Feldstein et al.	
D800,730 S *	10/2017	Liao	D14/433
D800,731 S	10/2017	He	
9,837,766 B1	12/2017	Cheng	
D807,290 S	1/2018	Liao	
D808,392 S	1/2018	Bo	
D813,875 S	3/2018	Liao	
9,979,147 B1	5/2018	Huang	
D820,264 S	6/2018	Lai et al.	
D826,942 S	8/2018	Lu	
D828,839 S	9/2018	Zhang	
D828,840 S	9/2018	Zhang	
D828,841 S	9/2018	Zhang	
D830,366 S	10/2018	Turksu et al.	
D832,260 S	10/2018	Hutton et al.	
D832,848 S	11/2018	Chan et al.	
D833,411 S	11/2018	Chan et al.	
10,181,686 B1	1/2019	Patel et al.	
D839,876 S *	2/2019	Turksu	D14/435.1
D841,009 S	2/2019	Yu	
D841,653 S	2/2019	Lin	
D841,654 S	2/2019	Chin	
D854,544 S *	7/2019	Liao	D14/434
D855,054 S *	7/2019	Turksu	D14/433
D855,055 S	7/2019	Chou et al.	
D855,616 S	8/2019	Chin	
D847,139 S	10/2019	Wang	
D861,694 S	10/2019	Huang	
D862,473 S	10/2019	Wang	
D862,474 S	10/2019	Wang	
D863,310 S	10/2019	Duan	
D864,205 S *	10/2019	Wang	D14/433
D864,208 S *	10/2019	Duan	D14/433
D864,964 S *	10/2019	Lyu	D14/433
D864,967 S *	10/2019	Liu	D14/434
D866,557 S *	11/2019	Xiong	D14/433
D874,462 S *	2/2020	Chin	D14/433

(56)

References Cited

U.S. PATENT DOCUMENTS

D879,780 S * 3/2020 Liao D14/433
D881,888 S * 4/2020 Liao D14/433
2003/0216069 A1* 11/2003 Huang G06F 1/266
439/105

* cited by examiner

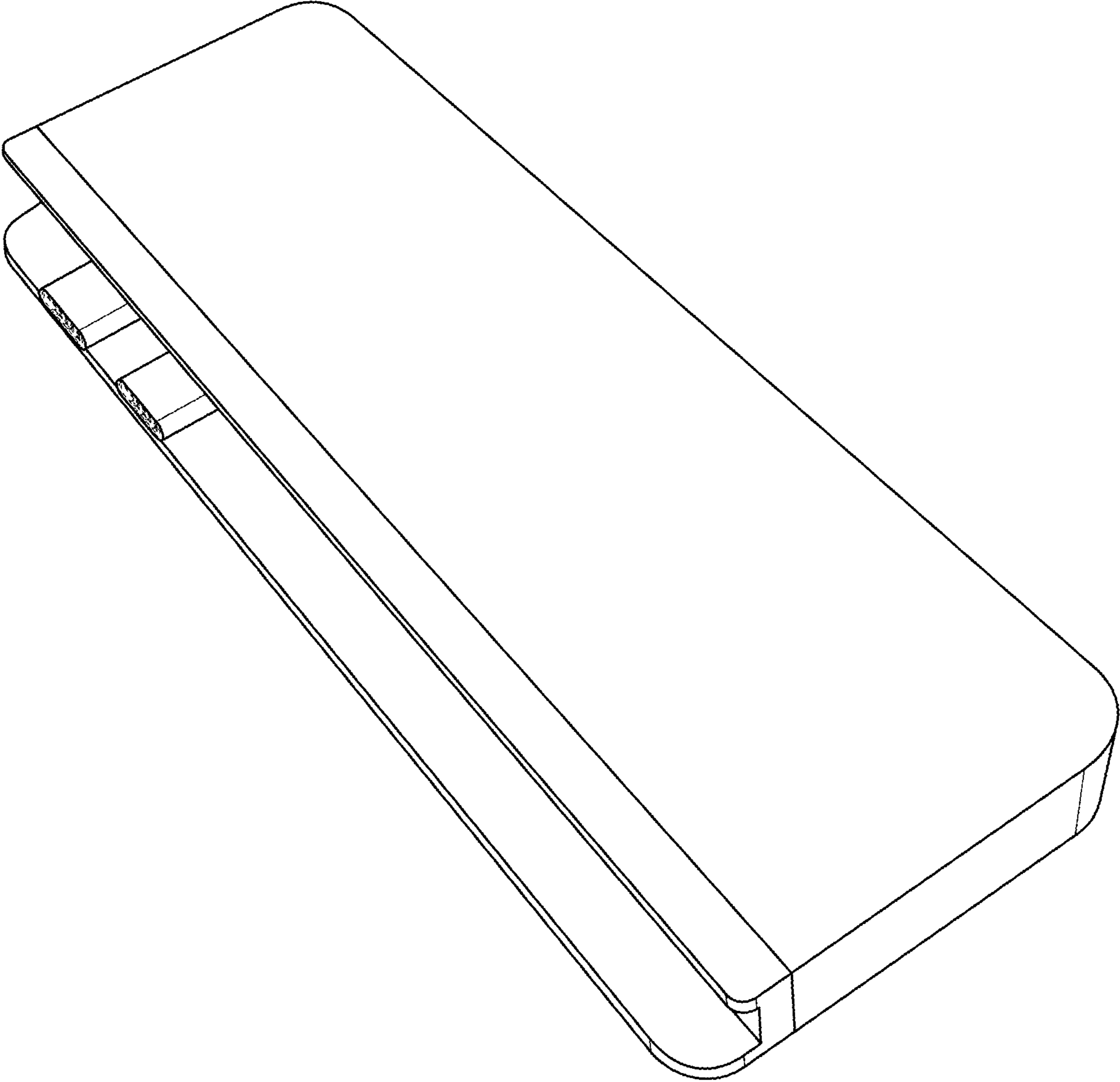


FIG. 1

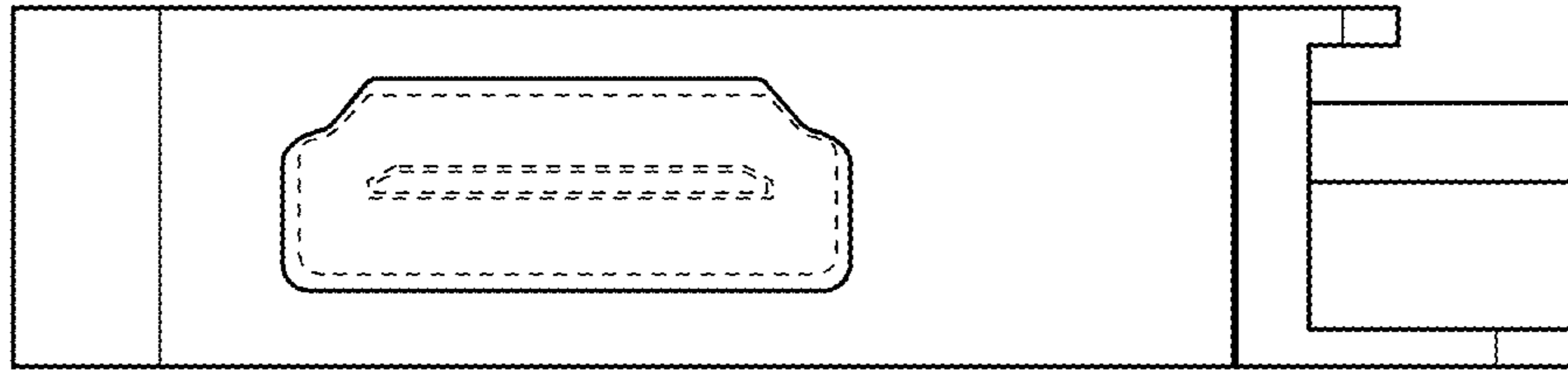


FIG. 2

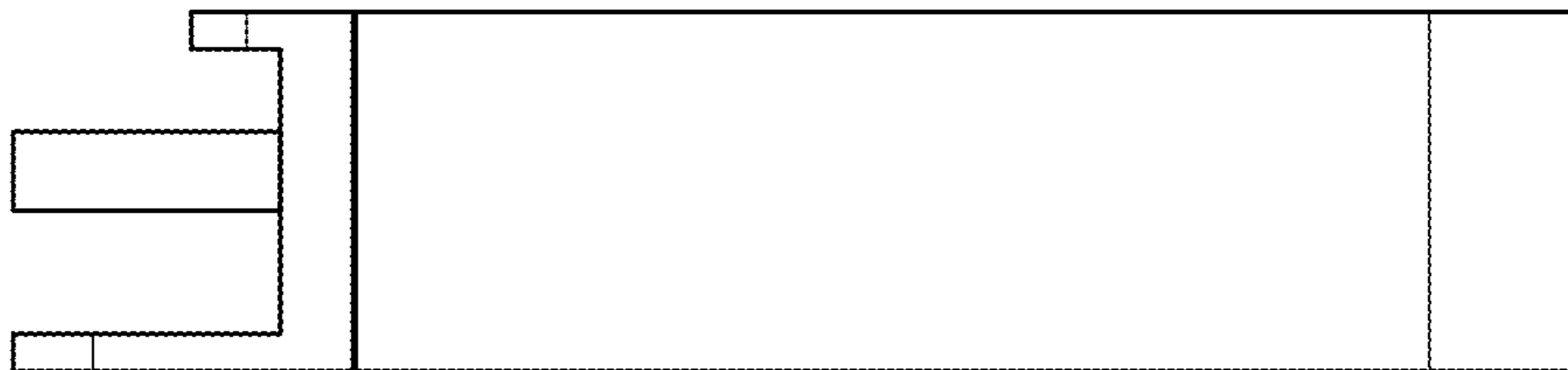


FIG. 3

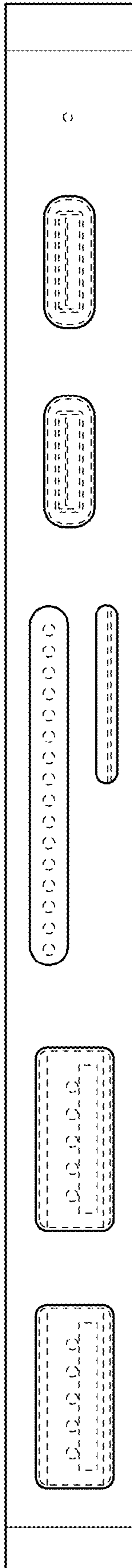


FIG. 4

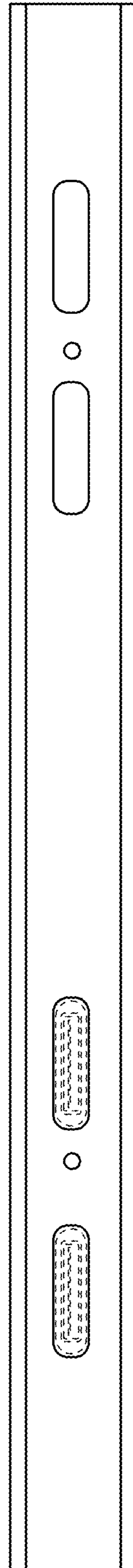


FIG. 5

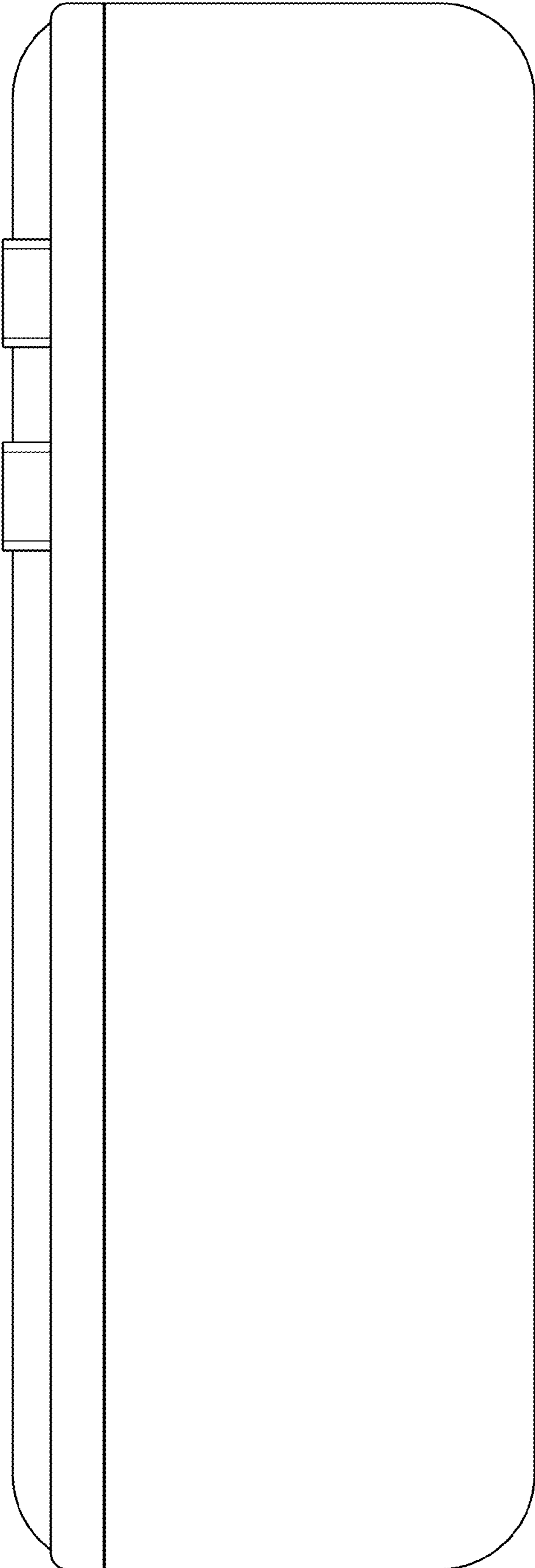


FIG. 6

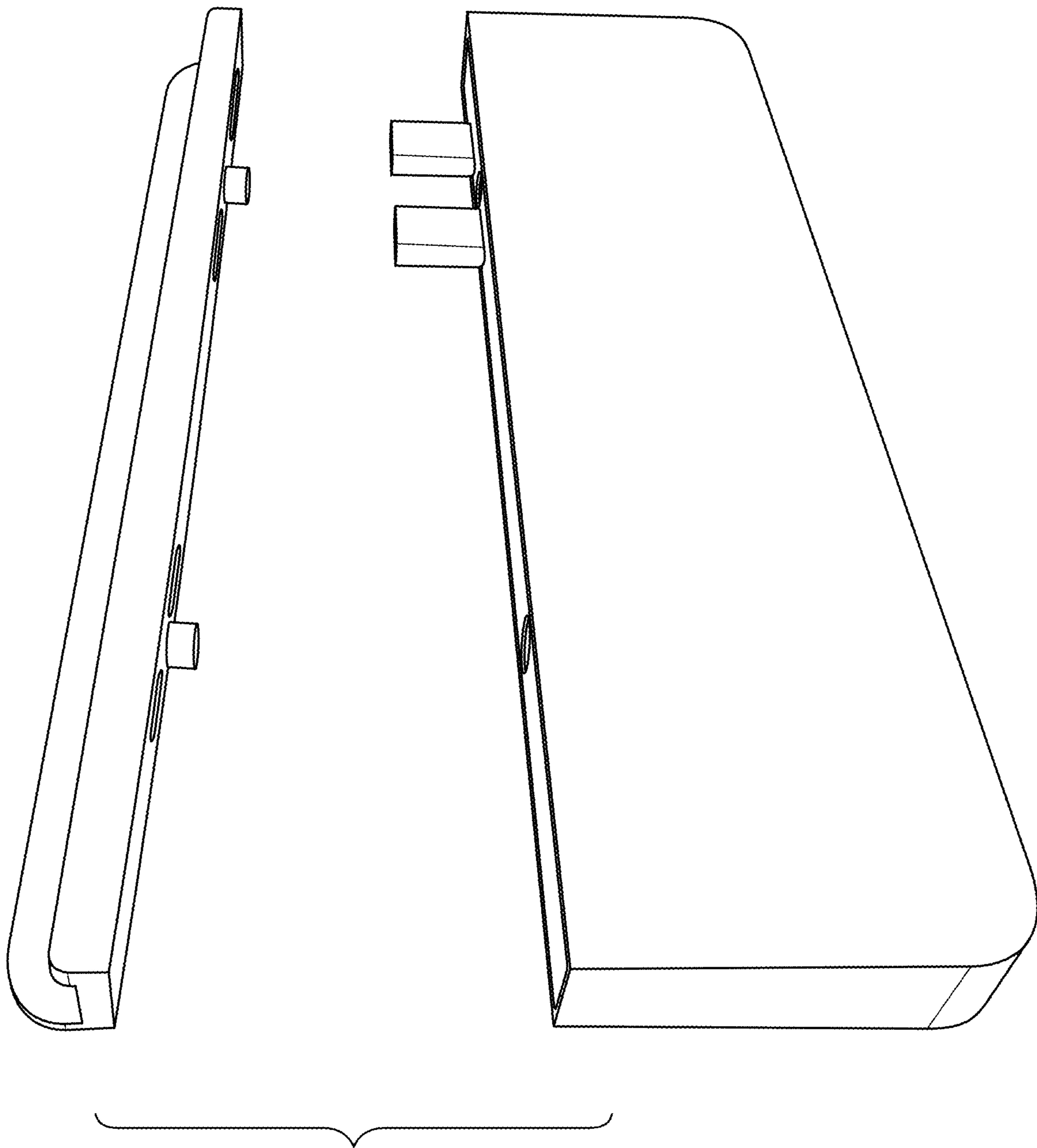


FIG. 7

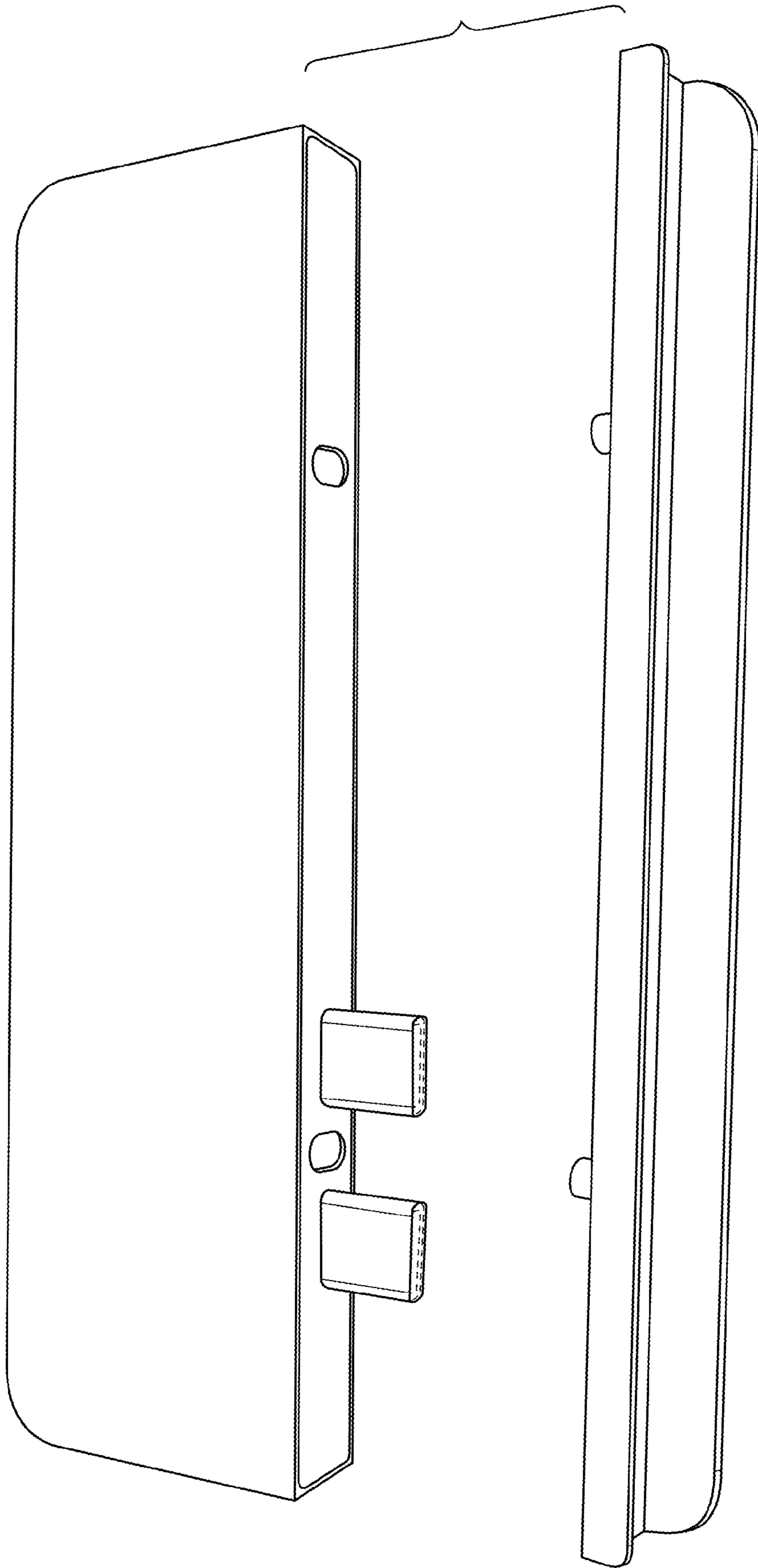


FIG. 8

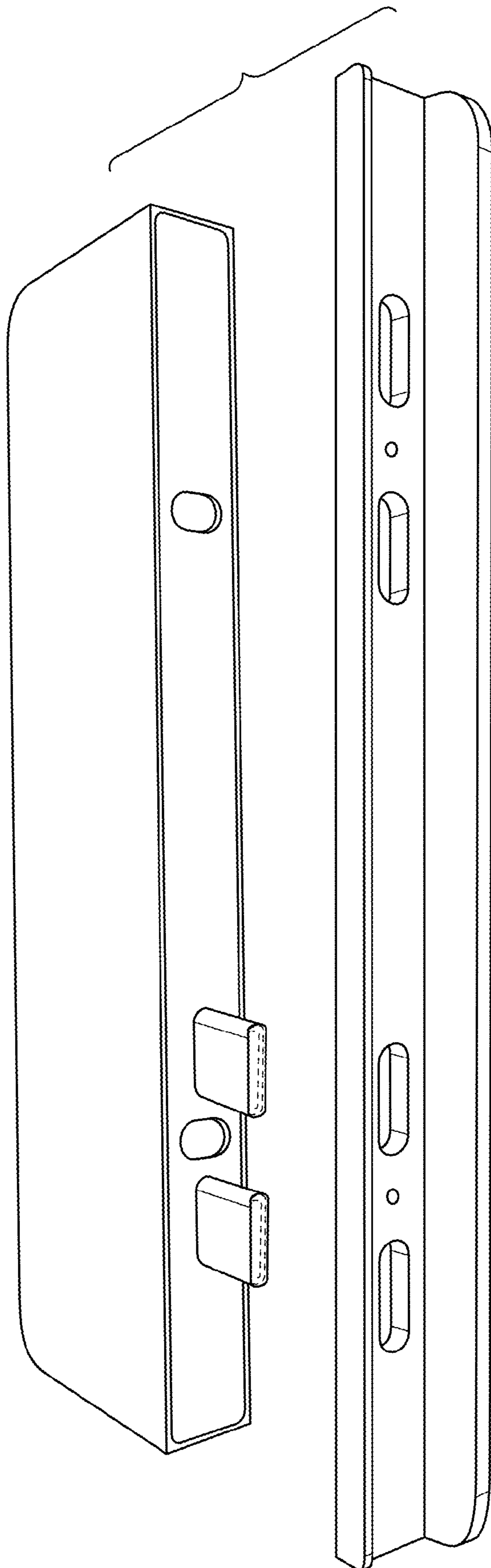


FIG. 9

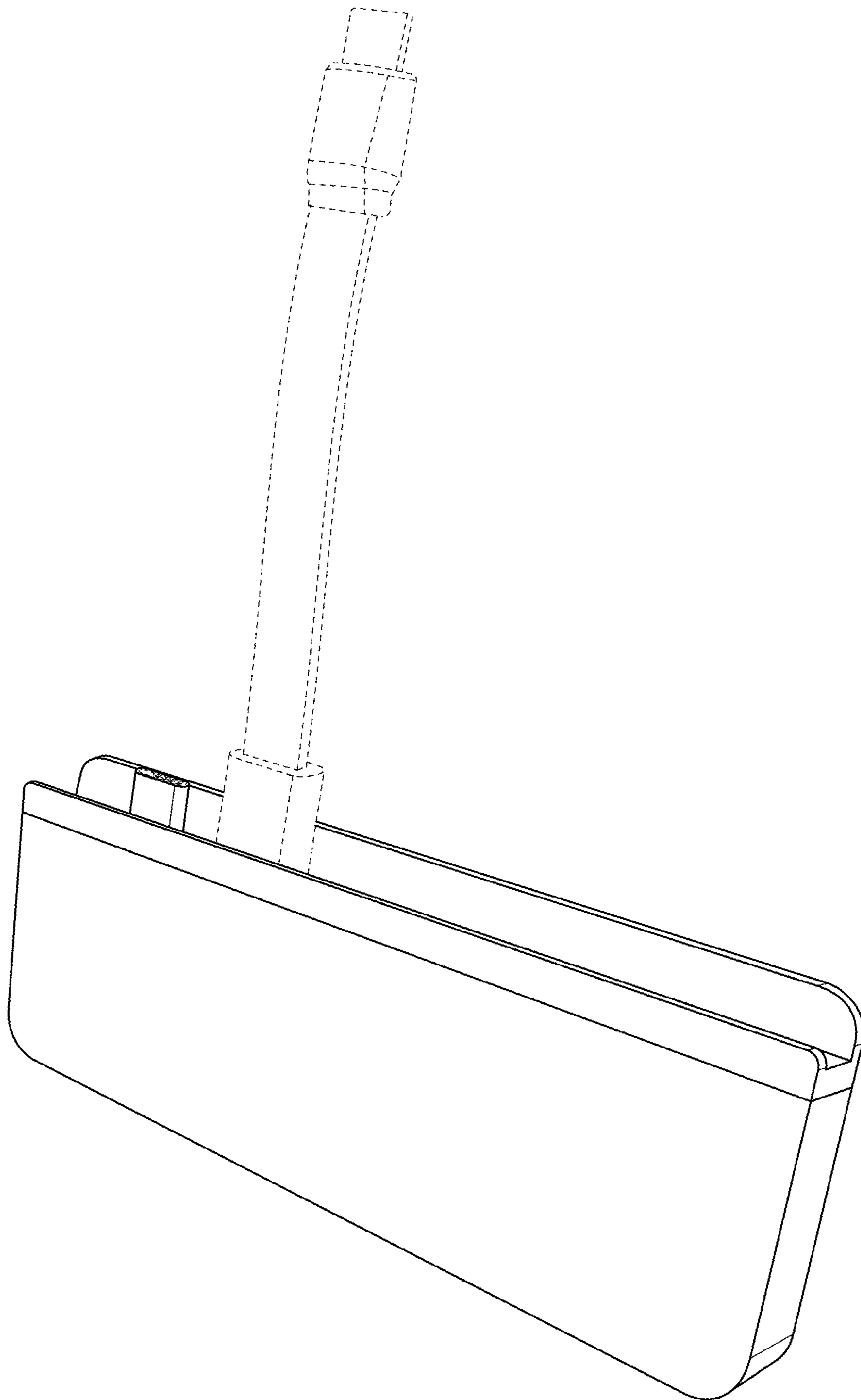


FIG. 10

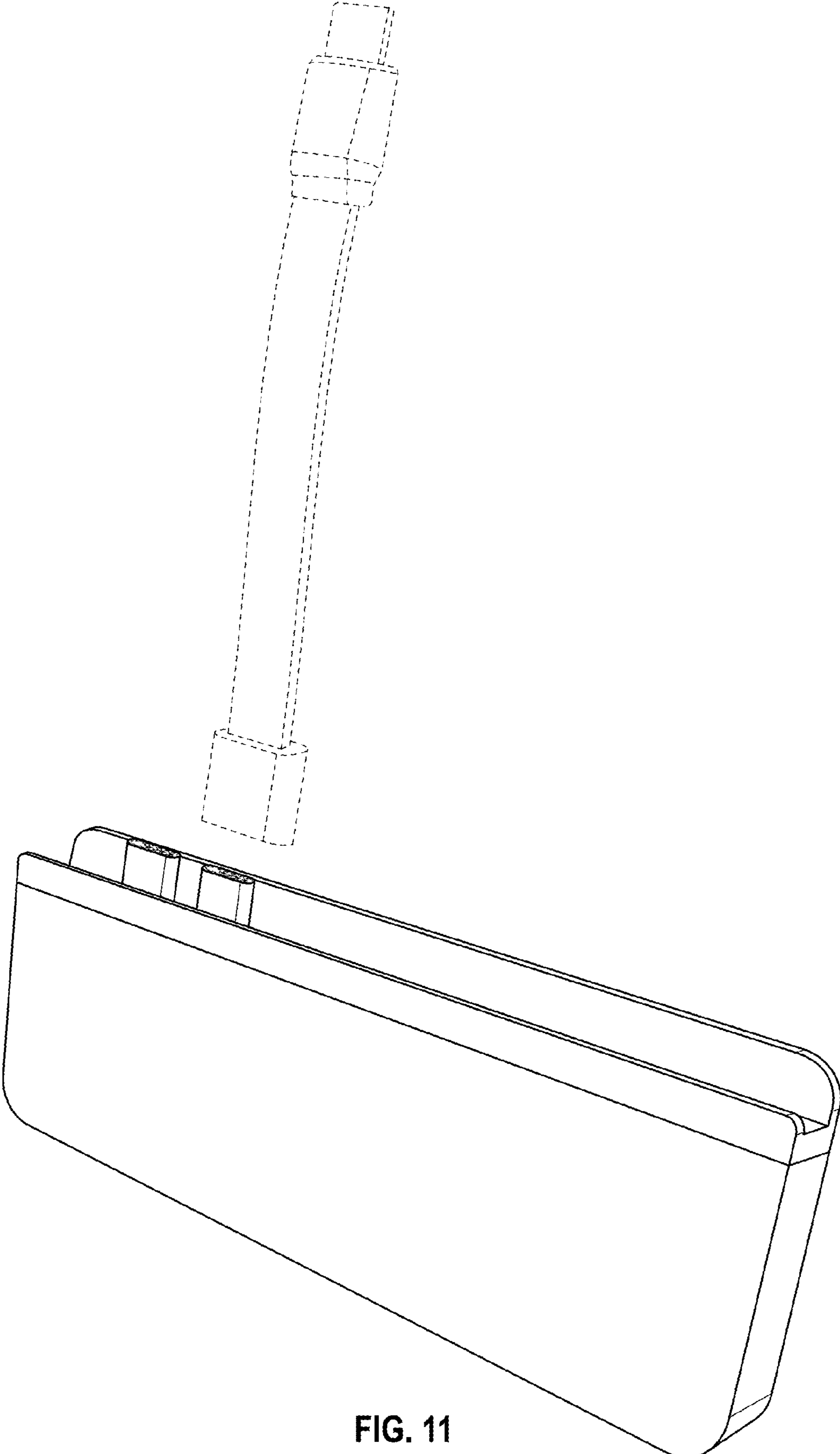


FIG. 11

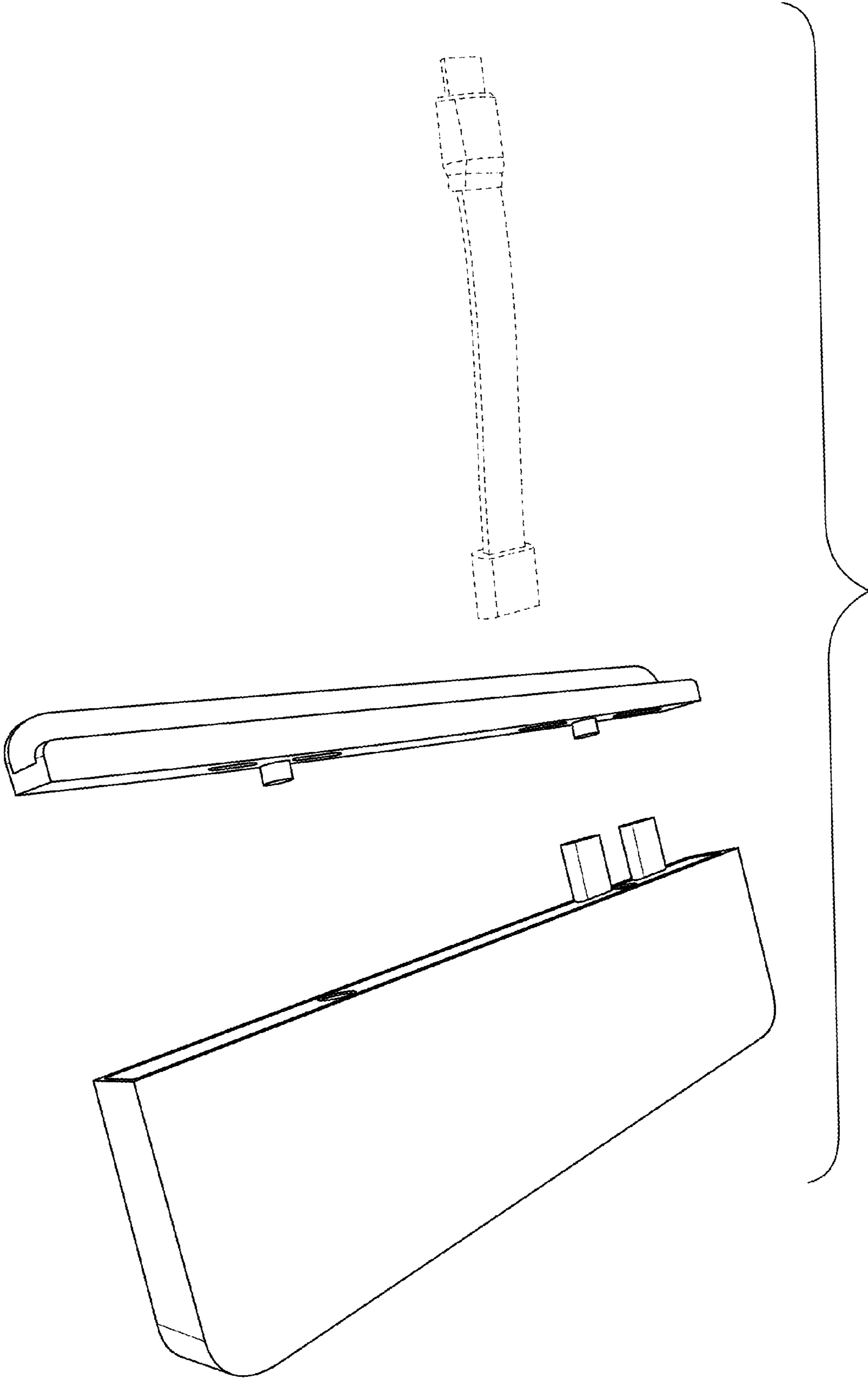


FIG. 12