



US00D891432S

(12) **United States Design Patent** (10) **Patent No.:** **US D891,432 S**
Lin (45) **Date of Patent:** **** Jul. 28, 2020**

(54) **USB HUB**

(71) Applicant: **Shenzhen Ketai Electronic Co., Limited**, Shenzhen (CN)

(72) Inventor: **Zhongcheng Lin**, Guangdong (CN)

(**) Term: **15 Years**

(21) Appl. No.: **29/688,695**

(22) Filed: **Apr. 24, 2019**

(51) **LOC (12) Cl.** **14-99**

(52) **U.S. Cl.**
USPC **D14/433**

(58) **Field of Classification Search**
USPC D14/240, 242, 356, 357, 358, 378, 383, D14/384, 385, 386, 433, 434, 435.1, D14/480.1, 480.4, 480.5; D13/103, 107, D13/108, 110, 146
CPC H01R 25/003; H01R 25/006; H01R 27/02; H01R 31/005; H01R 13/60; H01R 13/6658; H01R 13/72; G06F 1/1607; G06F 1/1632; G06F 1/1684; G06F 13/382; G06F 13/4022
See application file for complete search history.

(56) **References Cited**

U.S. PATENT DOCUMENTS

D514,559 S * 2/2006 Chen D14/480.1
D609,076 S * 2/2010 Stevenson D8/330
D711,884 S * 8/2014 Turksu D14/433
D729,800 S * 5/2015 Kitano D14/383
D786,885 S * 5/2017 Eliyahu D14/480.1
D791,138 S * 7/2017 Eliyahu D14/435.1
D826,942 S * 8/2018 Lu D14/433
D834,580 S * 11/2018 Wang D14/435.1
D853,397 S * 7/2019 Wang D14/435.1
D856,278 S * 8/2019 Turksu D13/108

D862,385 S * 10/2019 Turksu D13/108
D863,310 S * 10/2019 Liao D14/433
D883,288 S * 5/2020 Zhan D14/433
D883,289 S * 5/2020 Chen D14/433
D883,290 S * 5/2020 Zhan D14/433
D883,291 S * 5/2020 Lin D14/433
D883,293 S * 5/2020 Zhang D14/433
2016/0202743 A1 * 7/2016 Li G06F 1/263
710/313

OTHER PUBLICATIONS

“10 Best USB Hubs in 2020,” AUKEY Aluminum 10 Port USB Hub pictured therein, online, post date Mar. 6, 2020, URL: <https://www.pclaunches.com/best-usb-hub/>, retrieved May 19, 2020.*

* cited by examiner

Primary Examiner — Jeffrey D Asch
Assistant Examiner — Rebekah A Caruso
(74) *Attorney, Agent, or Firm* — Prakash Nama; Global IP Services, PLLC

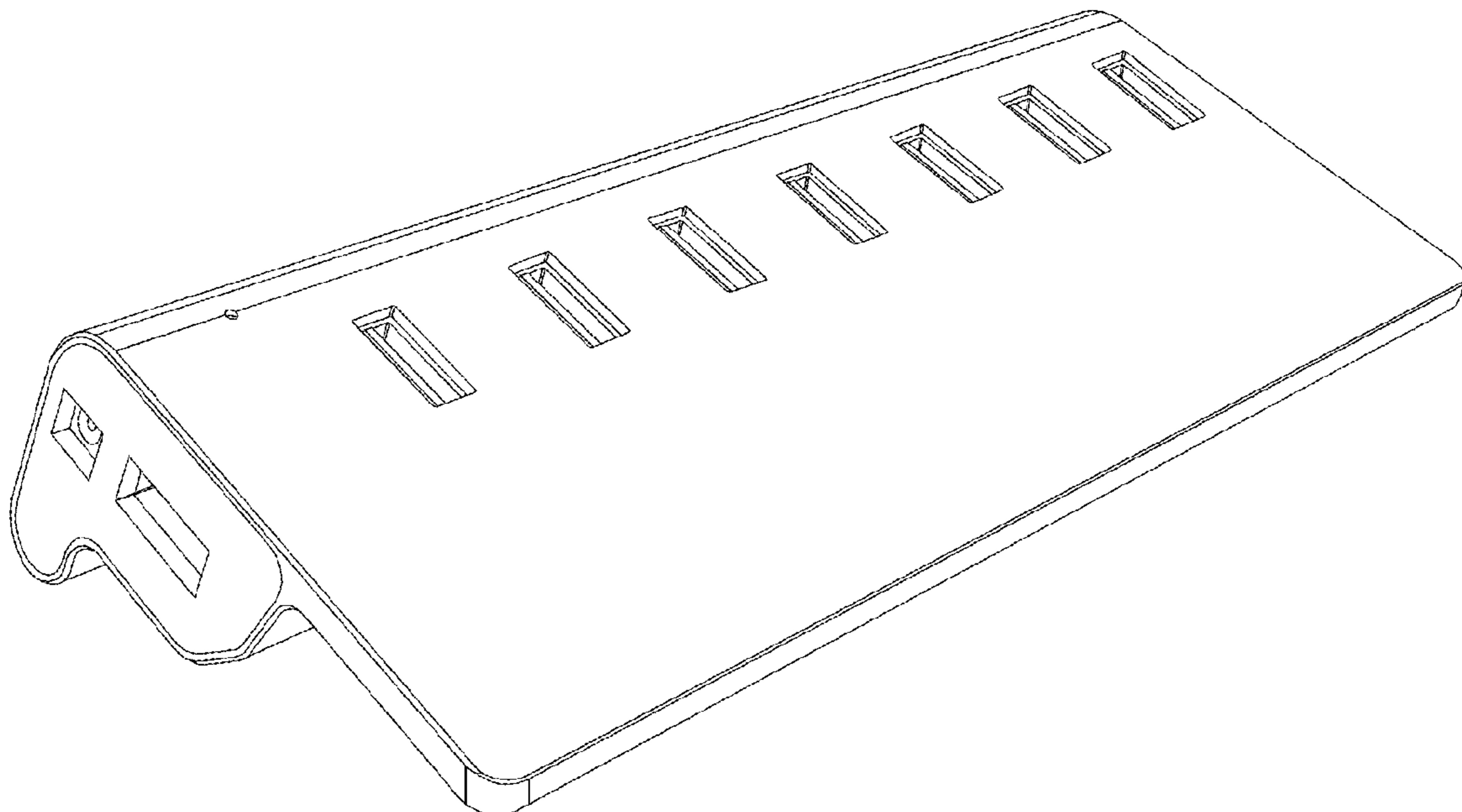
(57) **CLAIM**

The ornamental design for a USB hub, as shown.

DESCRIPTION

FIG. 1 is a front elevational view of a USB hub showing my new design;
FIG. 2 is a rear elevational view thereof;
FIG. 3 is a left side view thereof;
FIG. 4 is a right side view thereof;
FIG. 5 is a top plan view thereof;
FIG. 6 is a bottom plan view thereof;
FIG. 7 is a perspective view thereof;
FIG. 8 is a second perspective view thereof; and,
FIG. 9 is a third perspective view thereof.

1 Claim, 9 Drawing Sheets



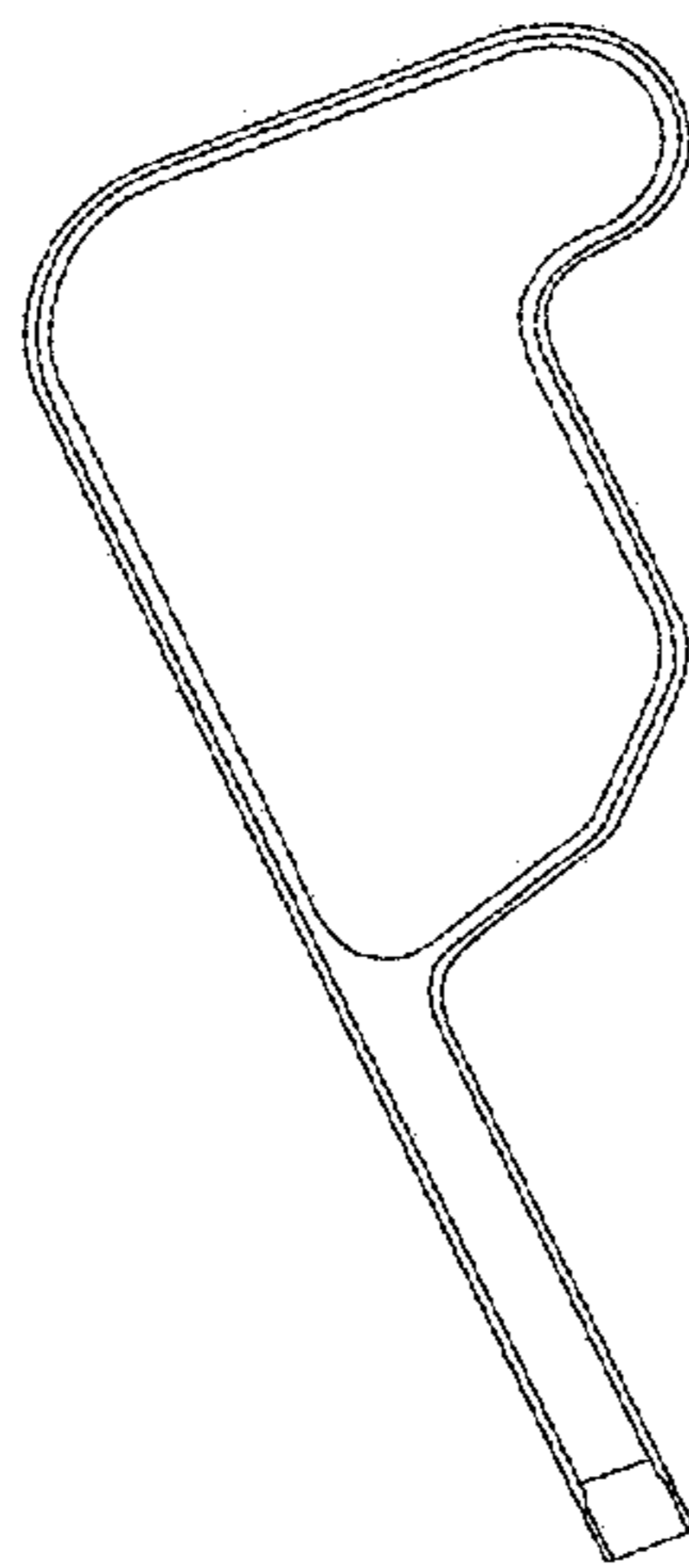


Fig. 1

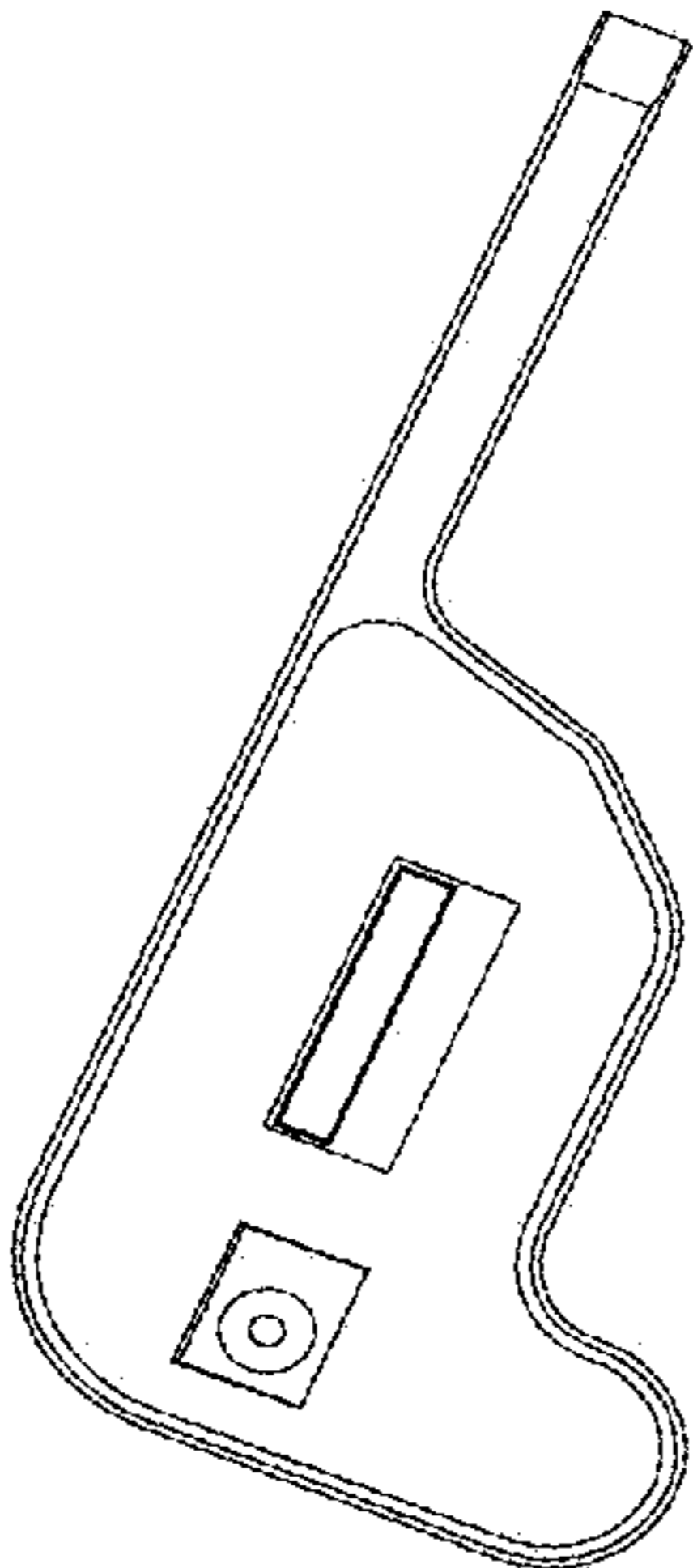


Fig. 2

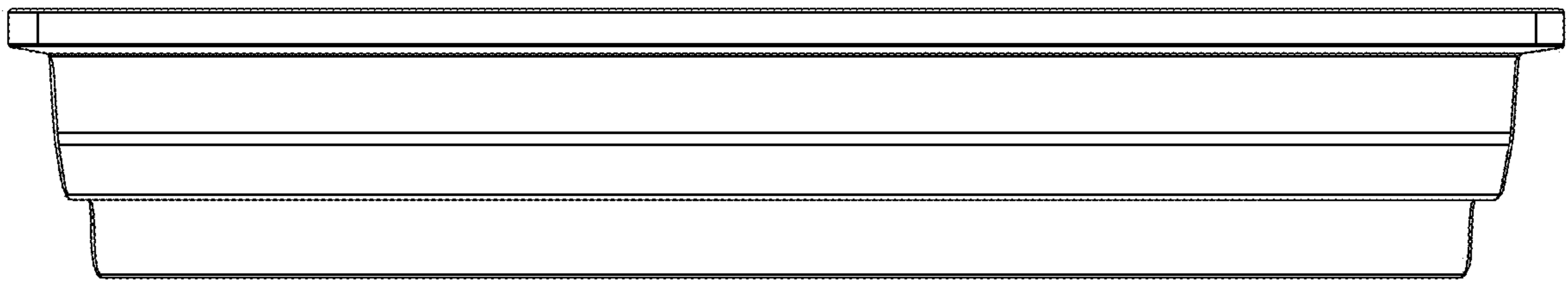


Fig. 3

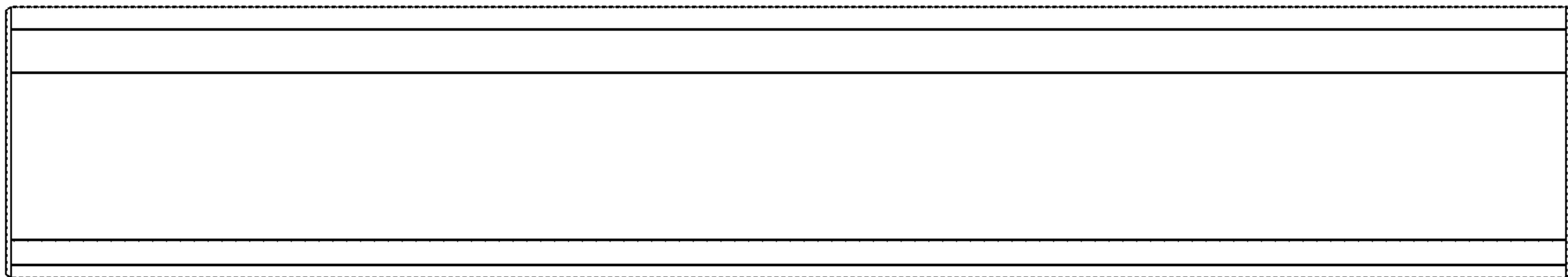


Fig. 4

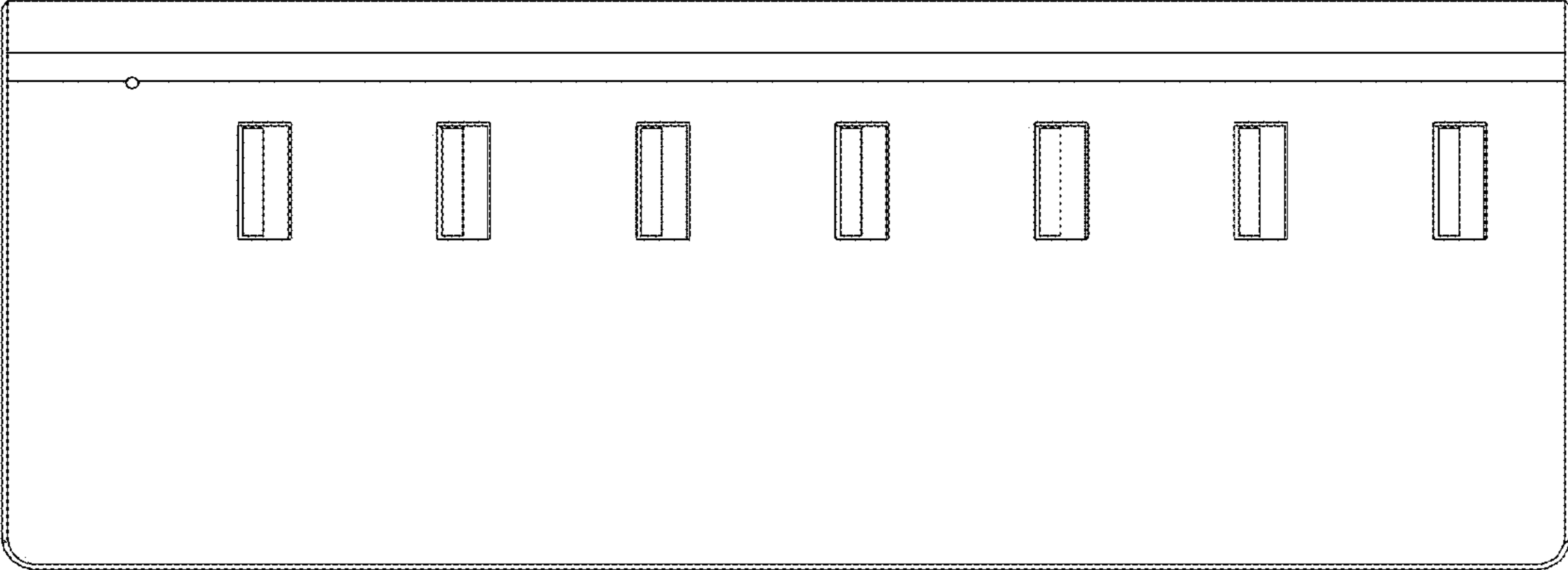


Fig. 5

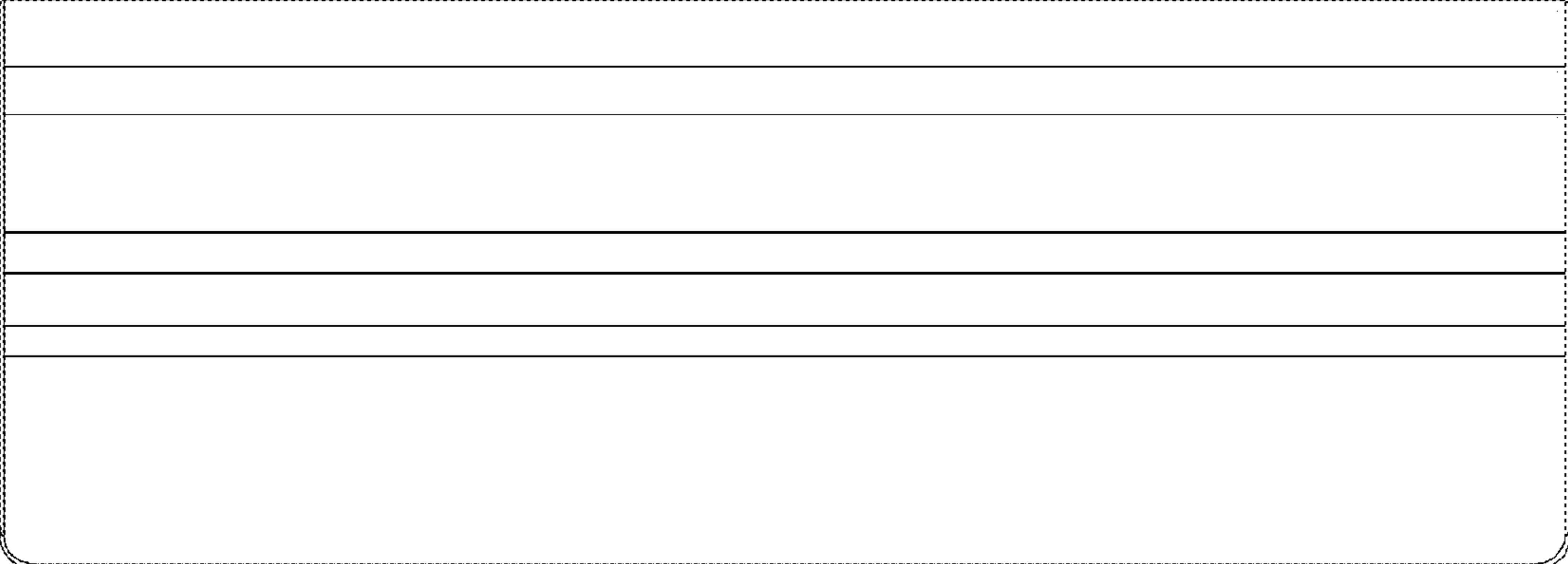


Fig. 6

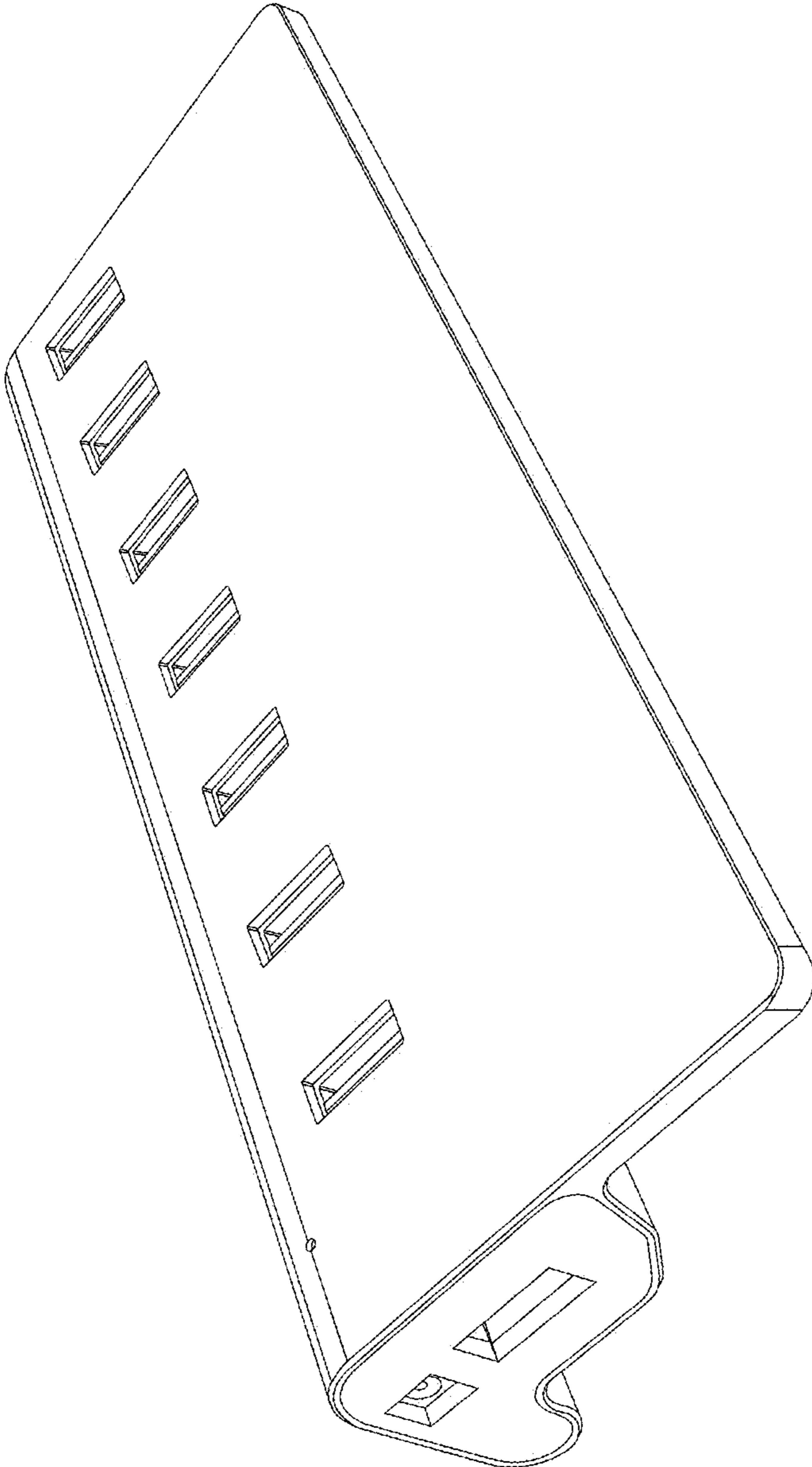


Fig. 7

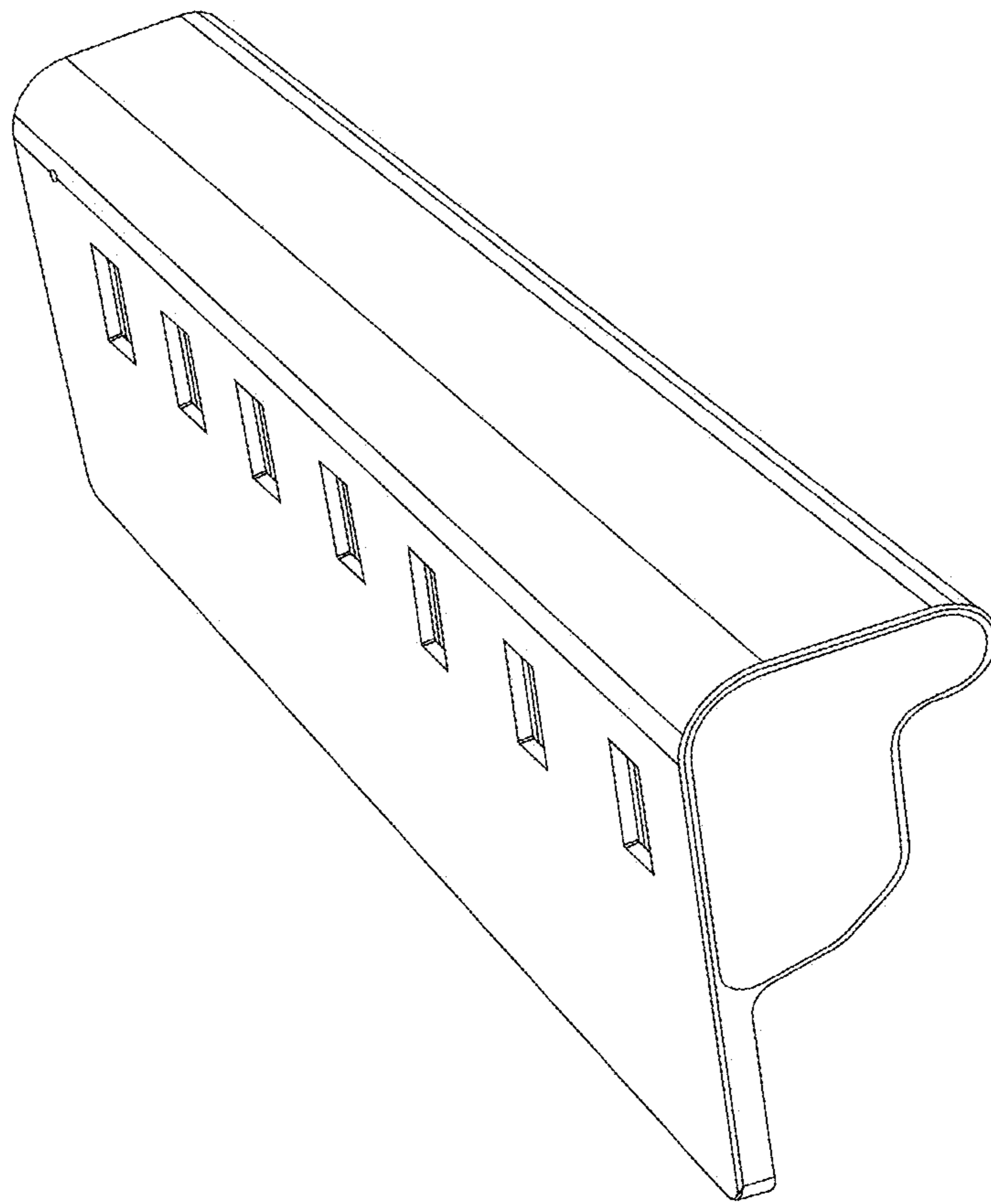


Fig. 8

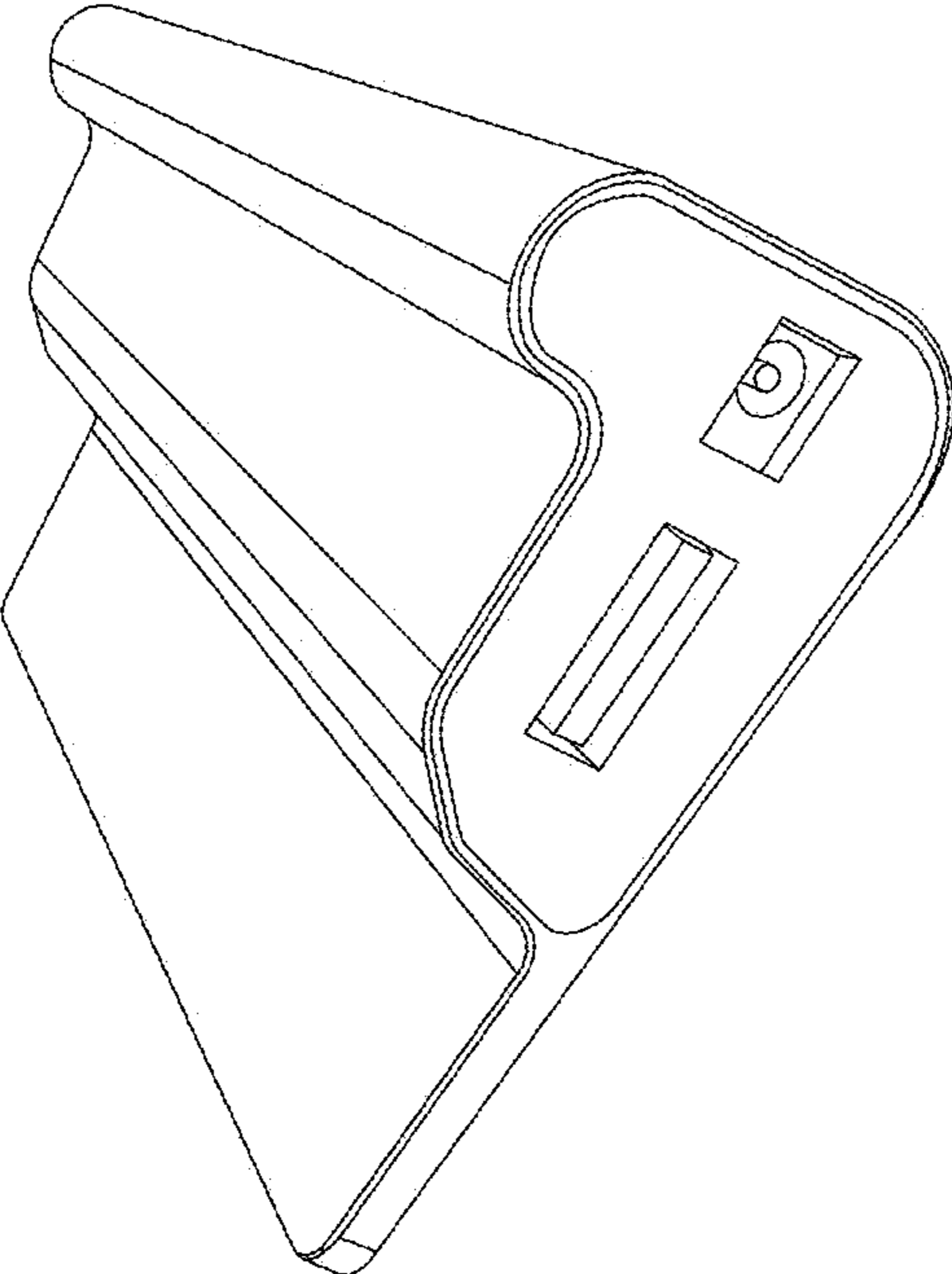


Fig. 9