



US00D891427S

(12) **United States Design Patent** (10) **Patent No.:** **US D891,427 S**
Lee et al. (45) **Date of Patent:** **** Jul. 28, 2020**

(54) **DISPLAY DEVICE**

(71) Applicants: **Samsung Display Co., Ltd.**, Yongin-si, Gyeonggi-do (KR); **UNIST(ULSAN NATIONAL INSTITUTE OF SCIENCE AND TECHNOLOGY)**, Ulsan (KR)

(72) Inventors: **Ja Eun Lee**, Suwon-si (KR); **Gyouhyung Kyung**, Ulsan (KR); **Ji Hyeon Yang**, Ulsan (KR); **Sumi Lee**, Sejong-si (KR); **Soo Yeon Seo**, Ulsan (KR); **Seungbae Lee**, Seoul (KR); **Byeonghwa Choi**, Seoul (KR); **Minjoong Kim**, Seoul (KR); **Sungryul Park**, Ulsan (KR); **Songil Lee**, Ulsan (KR); **Jihhyeon Yi**, Ulsan (KR); **Donghee Choi**, Ulsan (KR)

(73) Assignees: **Samsung Display Co., Ltd.**, Yongin-si (KR); **UNIST (Ulsan National Institute of Science and Technology)**, Ulsan (KR)

(**) Term: **15 Years**

(21) Appl. No.: **29/647,391**

(22) Filed: **May 11, 2018**

(30) **Foreign Application Priority Data**

Nov. 13, 2017 (KR) 30-2017-0052859

(51) **LOC (12) Cl.** **14-02**

(52) **U.S. Cl.**
USPC **D14/345**; D14/341; D14/138 AB

(58) **Field of Classification Search**
USPC D14/138 AB, 345, 203.4, 138 R, 496, D14/341, 138 G, 248, 371, 373, 374, 336; D6/301; D28/83; D21/517
CPC H04M 1/0216; H04M 1/0214; H04M 1/0245; G06F 1/1652
See application file for complete search history.

(56) **References Cited**

U.S. PATENT DOCUMENTS

D599,761 S *	9/2009	Birsel	D14/138 AB
D719,542 S *	12/2014	Lee	D14/138 AB
9,122,337 B2 *	9/2015	Shima	G06F 1/1616
9,287,341 B2 *	3/2016	Cheon	H01L 27/3276
D769,209 S *	10/2016	Byun	D14/138 AB
D772,225 S *	11/2016	Kim	D14/341
D780,179 S *	2/2017	Bae	D14/138 G

(Continued)

FOREIGN PATENT DOCUMENTS

KR	301017701.0000	*	8/2019
KR	301020461.0000	*	8/2019

Primary Examiner — Jeffrey D Asch

(74) *Attorney, Agent, or Firm* — Lewis Roca Rothgerber Christie LLP

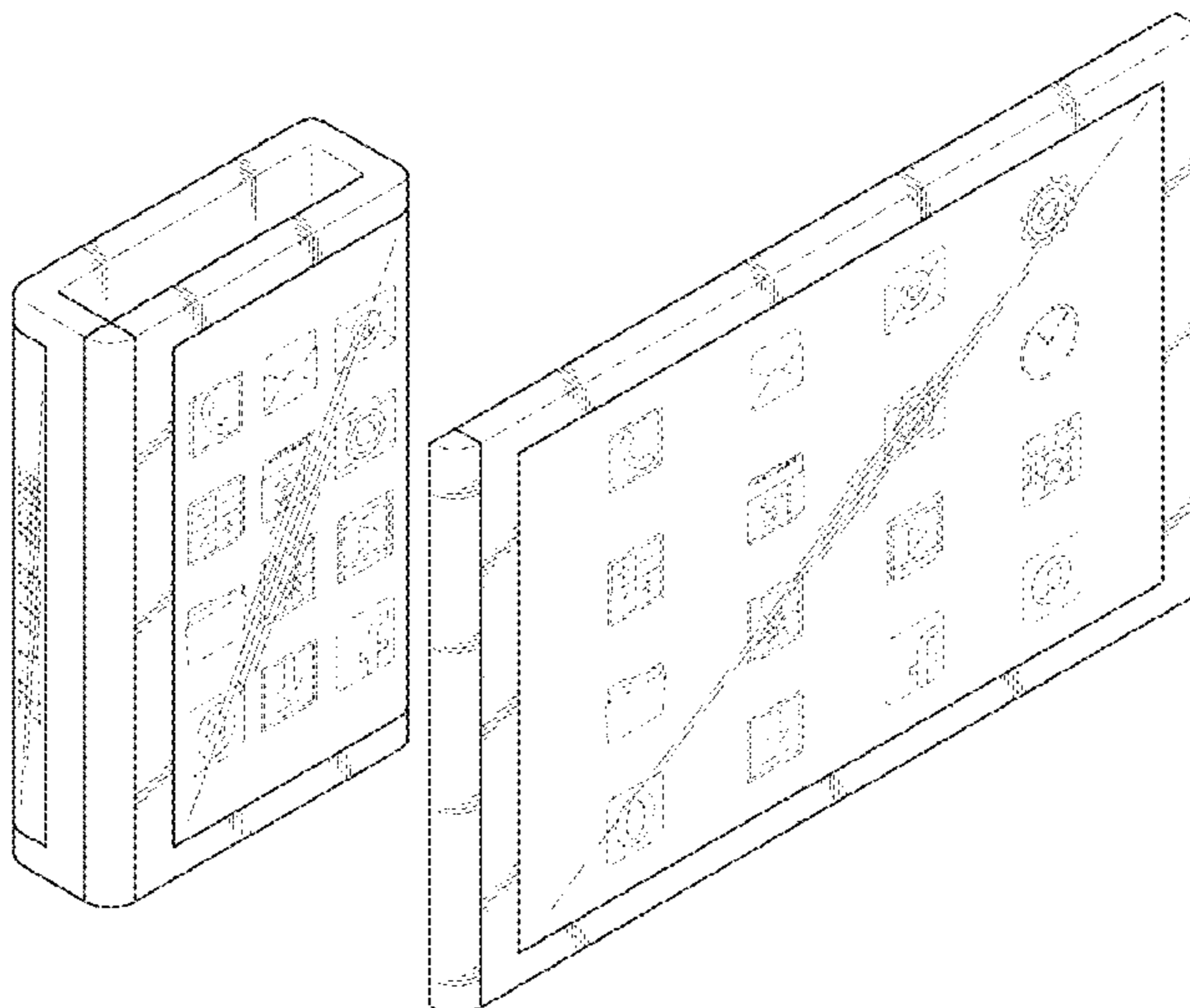
(57) **CLAIM**

The ornamental design for a display device, as shown and described.

DESCRIPTION

FIG. 1 is a perspective view of the display device according to the present design;
FIG. 2 is a front view thereof;
FIG. 3 is a rear view thereof;
FIG. 4 is a left side view thereof;
FIG. 5 is a right side view thereof;
FIG. 6 is a top view thereof, with the bottom view being a mirror image thereof; and
FIG. 7 is a perspective view thereof with displayed images; and,
FIG. 8 is a perspective view thereof in the unfolded state with displayed images.
The broken lines showing displayed images in FIGS. 7 and 8 form no part of the claimed design.

1 Claim, 8 Drawing Sheets



(56)

References Cited

U.S. PATENT DOCUMENTS

D789,922 S * 6/2017 Yamazaki D14/341
 D789,925 S * 6/2017 Browning D14/341
 D794,634 S * 8/2017 Kim D14/345
 9,733,744 B2 * 8/2017 Lee G06F 3/0412
 D797,732 S * 9/2017 Chong D14/371
 D803,828 S * 11/2017 Yamazaki D14/341
 D825,518 S * 8/2018 Kikuchi D14/138 AB
 10,043,421 B2 * 8/2018 Koo G06F 1/1641
 D833,431 S * 11/2018 Bae D14/345
 D839,267 S * 1/2019 Park D14/345
 10,212,811 B1 * 2/2019 Zhang G06F 1/1652
 10,222,833 B2 * 3/2019 Kim H04M 1/0247
 D847,814 S * 5/2019 Yoon D14/371
 10,359,809 B2 * 7/2019 Kwak G06F 1/1647
 10,429,894 B2 * 10/2019 Xia G06F 1/1641
 10,545,601 B2 * 1/2020 Gao G09G 5/14
 10,552,182 B2 * 2/2020 Kim H04M 1/00
 10,579,105 B2 * 3/2020 Jones G06F 1/1626
 2009/0104932 A1 * 4/2009 Chiang H04M 1/0247
 455/556.1
 2010/0004037 A1 * 1/2010 Ozawa G06F 1/1616
 455/575.3
 2010/0064244 A1 * 3/2010 Kilpatrick, II G06F 1/1616
 715/773
 2013/0100040 A1 * 4/2013 Haynes G06F 1/1616
 345/173

2013/0222998 A1 * 8/2013 Cho G06F 1/1601
 361/679.27
 2013/0321340 A1 * 12/2013 Seo H04M 1/0214
 345/174
 2014/0004906 A1 * 1/2014 Chi H04B 1/38
 455/566
 2014/0320396 A1 * 10/2014 Modarres G06F 3/0414
 345/156
 2015/0227224 A1 * 8/2015 Park G06F 1/1677
 345/173
 2016/0026219 A1 * 1/2016 Kim H04M 1/0245
 345/173
 2016/0132074 A1 * 5/2016 Kim G06F 1/1652
 715/769
 2016/0291642 A1 * 10/2016 Kwak G06F 1/1692
 2016/0349800 A1 * 12/2016 Kim H04N 5/2253
 2016/0357318 A1 * 12/2016 Chan G06F 3/0412
 2017/0003793 A1 * 1/2017 Gao G06F 3/1431
 2017/0006725 A1 * 1/2017 Ahn H05K 1/028
 2017/0052698 A1 * 2/2017 Seo G06F 3/04817
 2017/0075389 A1 * 3/2017 Yeom G06F 1/1662
 2017/0142848 A1 * 5/2017 Yeo H05K 1/028
 2017/0293383 A1 * 10/2017 Lee G06F 3/048
 2018/0103132 A1 * 4/2018 Prushinskiy G06F 3/04883
 2018/0210508 A1 * 7/2018 Aurongzeb G06F 1/1669
 2018/0210515 A1 * 7/2018 Lyles G06F 1/1616
 2018/0314299 A1 * 11/2018 Xia G09F 9/30
 2019/0369669 A1 * 12/2019 Kwak G06F 3/04817

* cited by examiner

FIG. 1

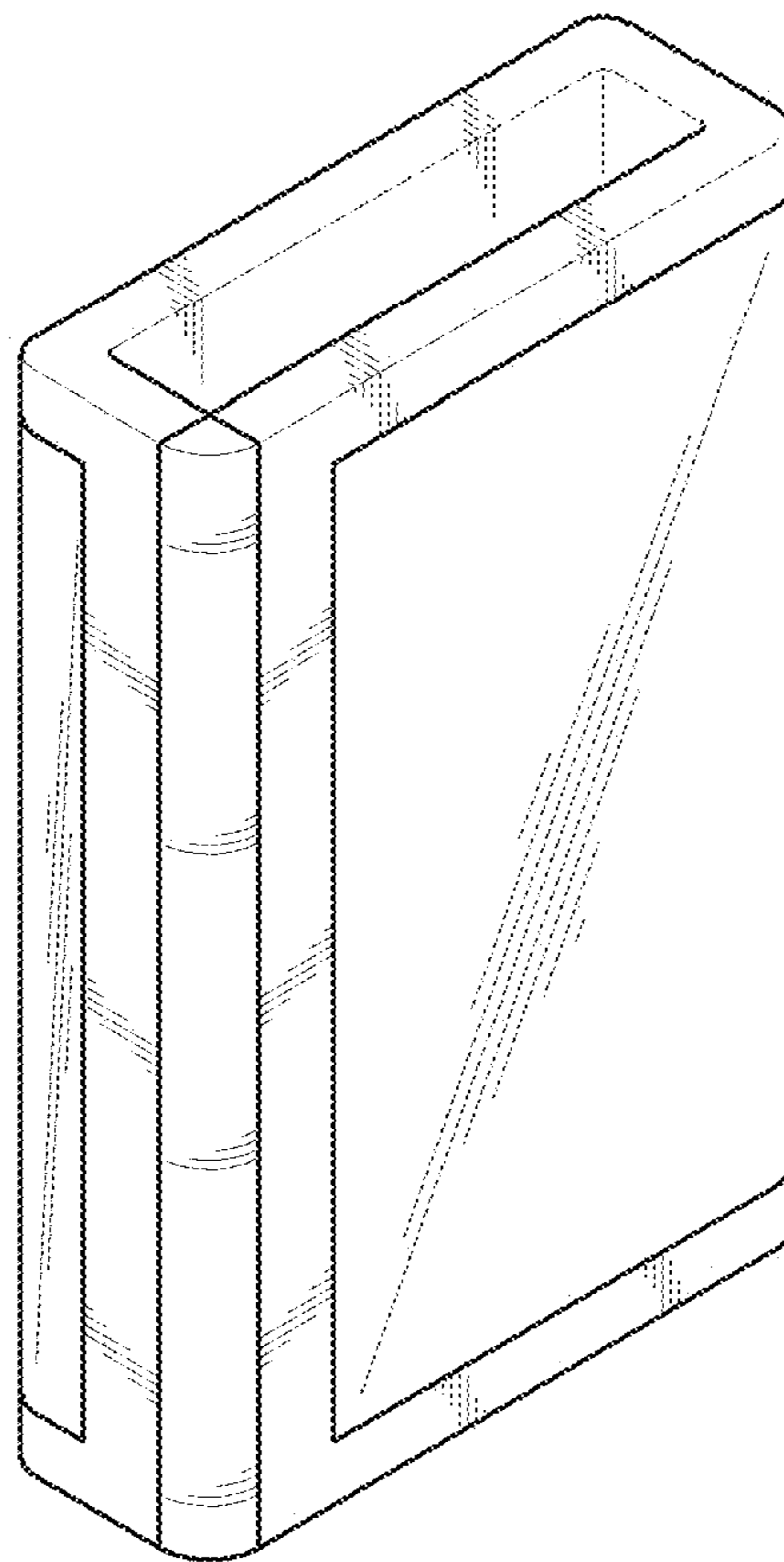


FIG. 2

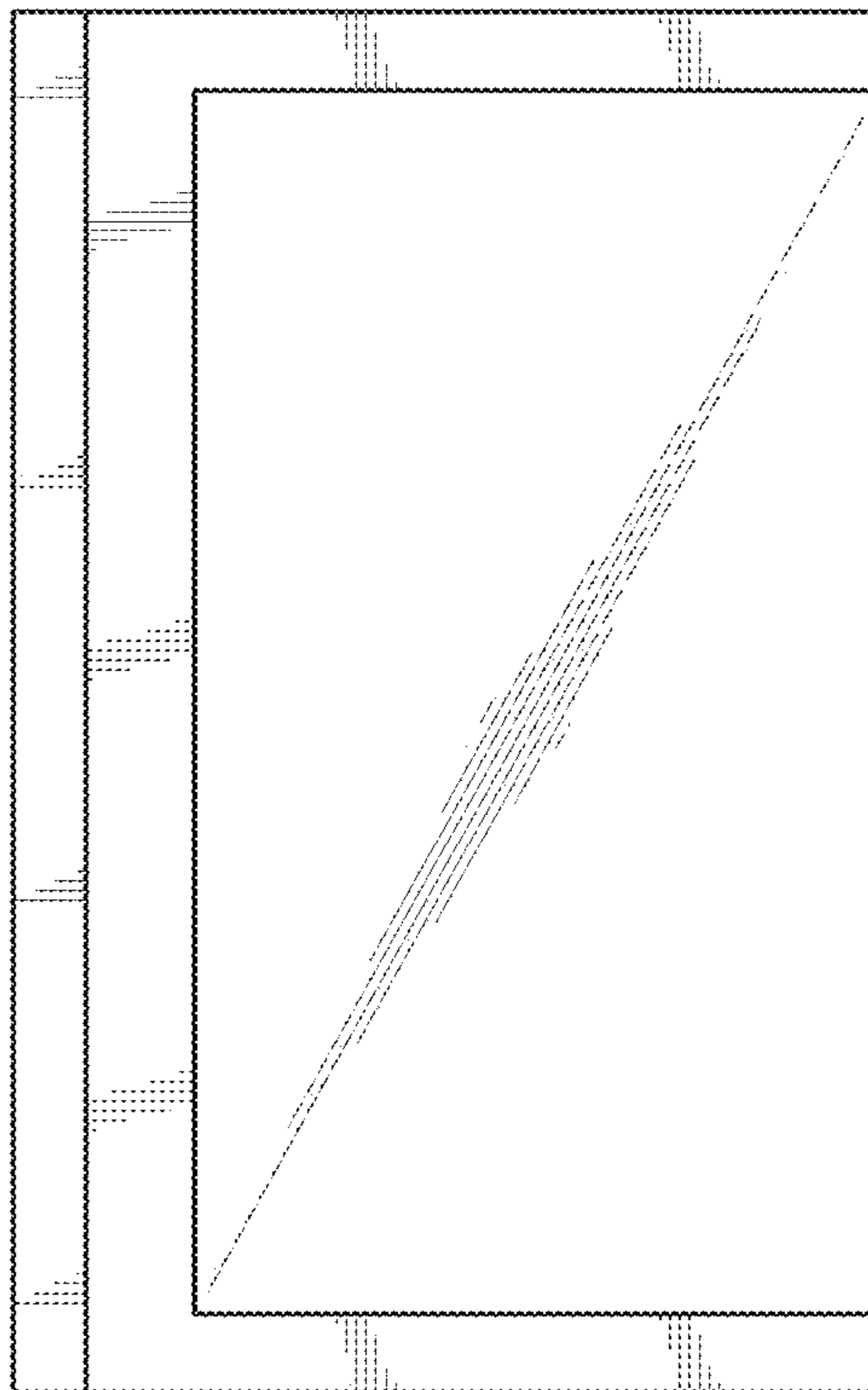


FIG. 3

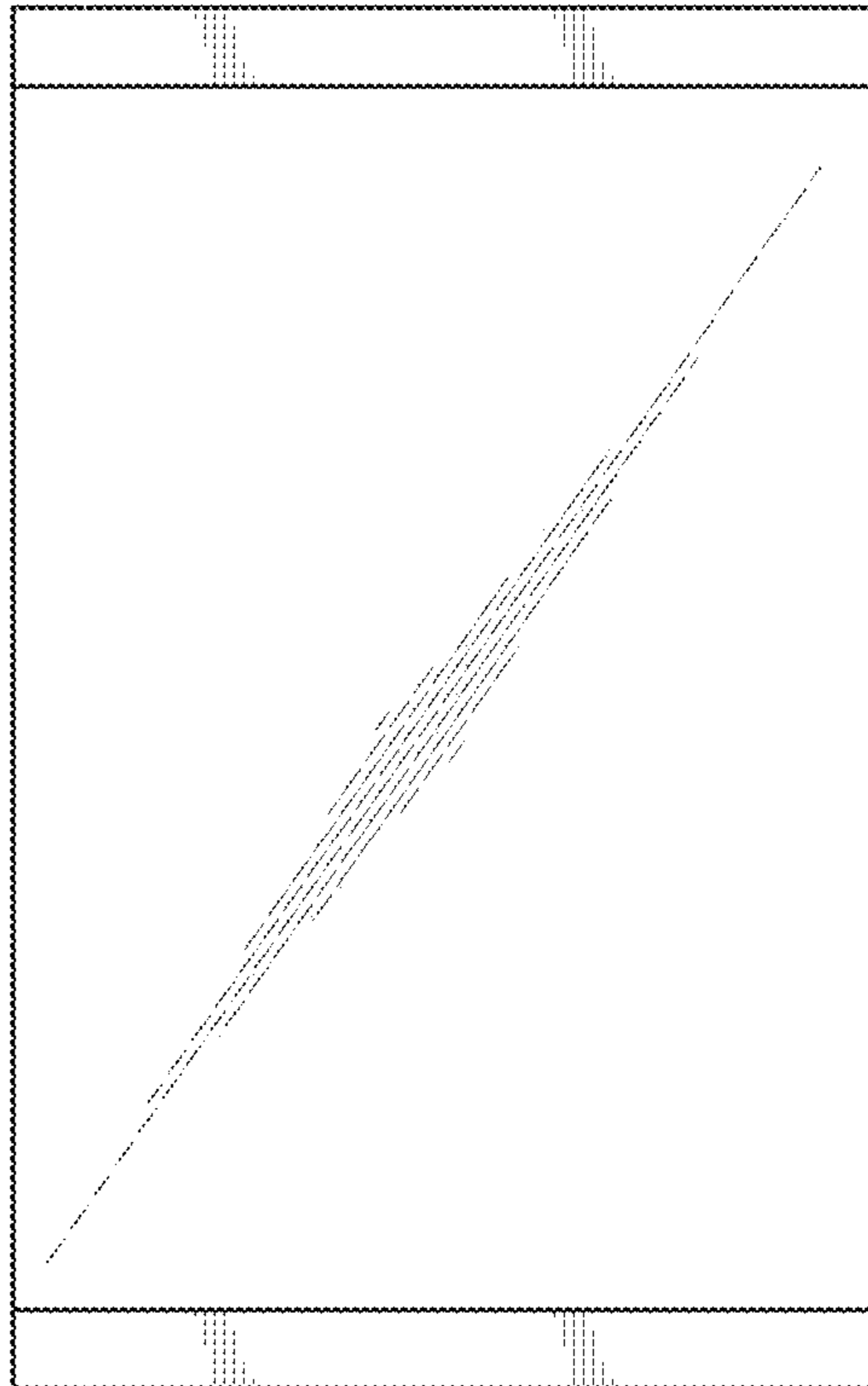


FIG. 4

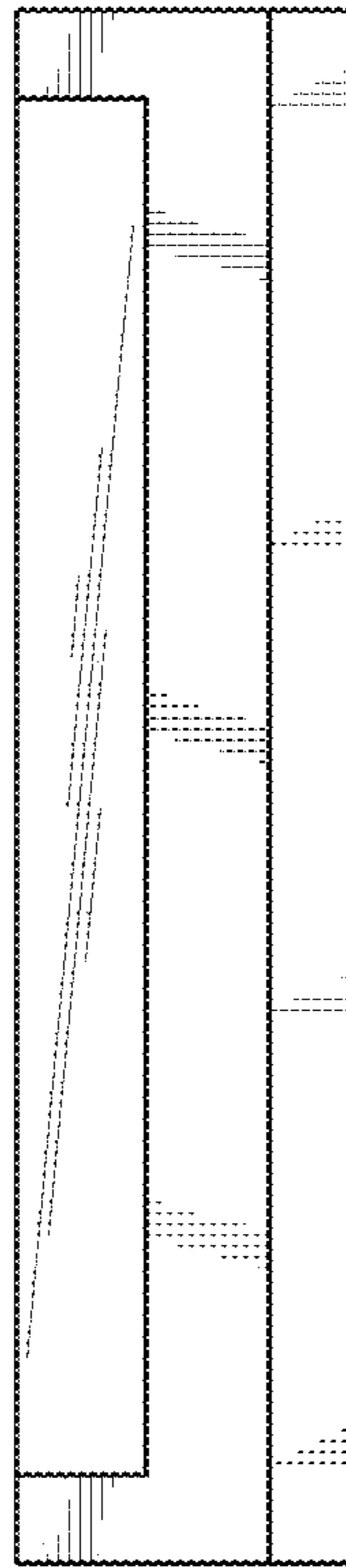


FIG. 5

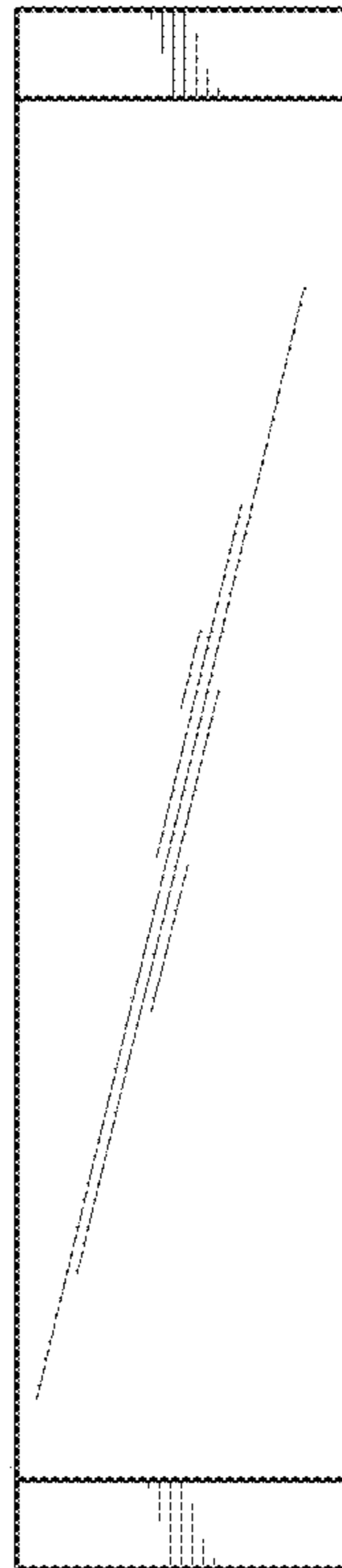


FIG. 6

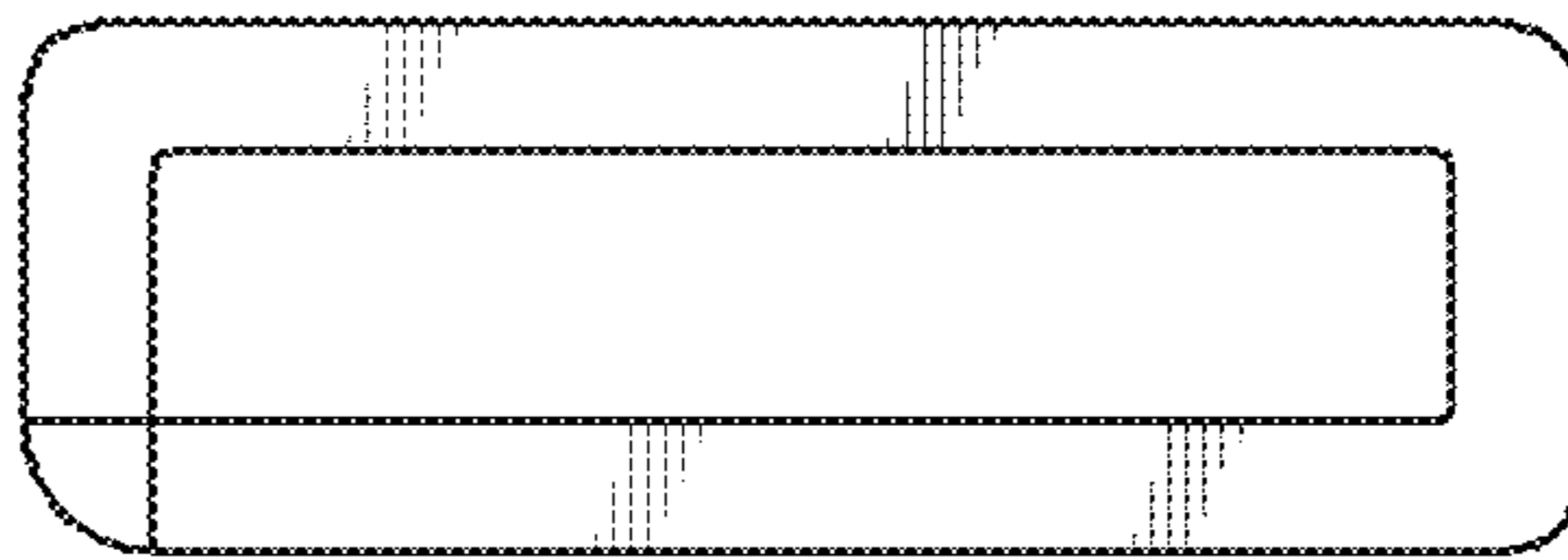


FIG. 7

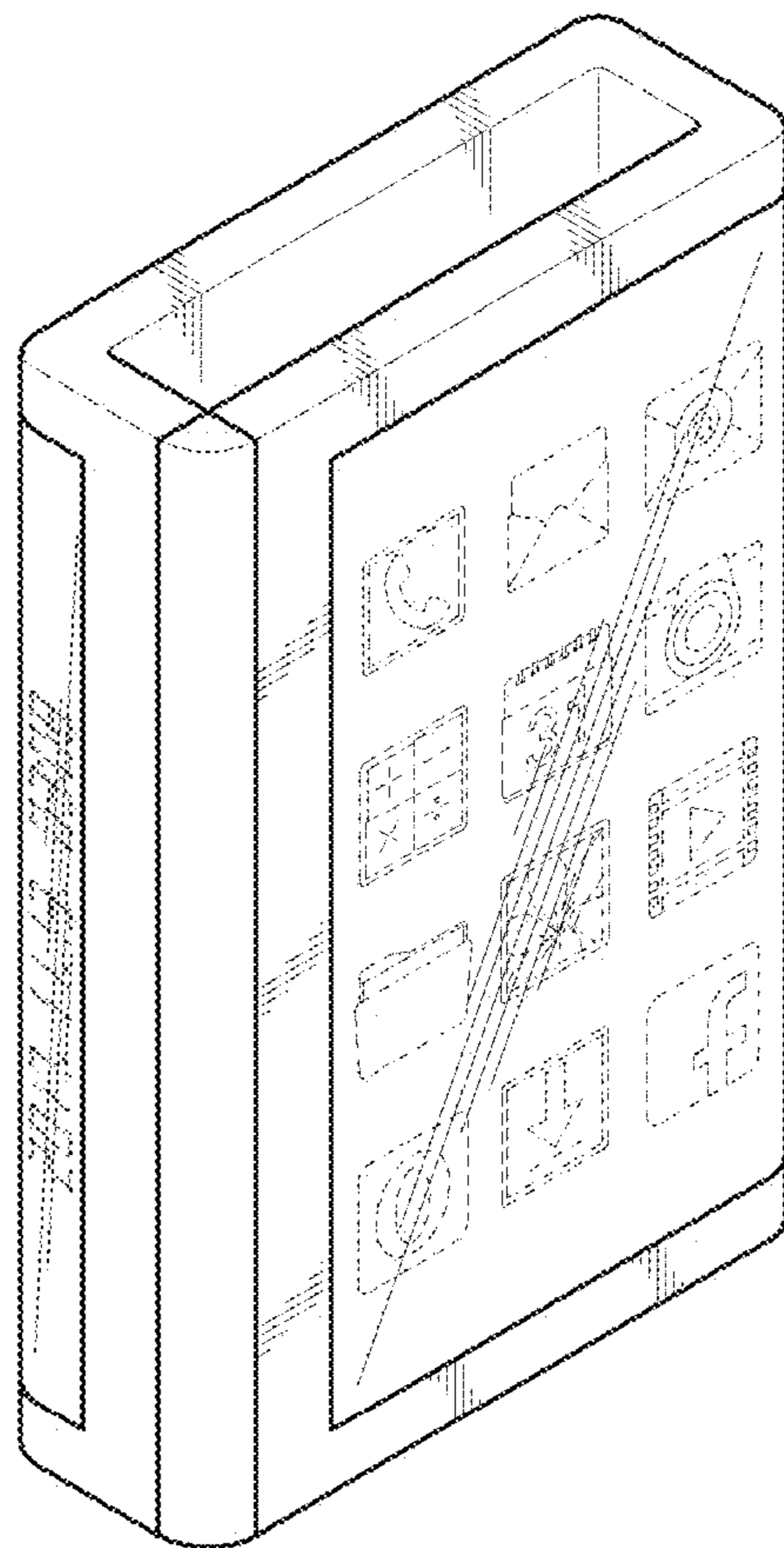


FIG. 8

