



US00D891425S

(12) **United States Design Patent** (10) **Patent No.:** **US D891,425 S**
Lin (45) **Date of Patent:** **** Jul. 28, 2020**

- (54) **WEARABLE ELECTRONIC DEVICE**
- (71) Applicant: **VTech Electronics, Ltd.**, Tai Po (HK)
- (72) Inventor: **Cheuk Shing Lin**, Tseung Kwan O Plaza (HK)
- (73) Assignee: **VTECH ELECTRONICS, LTD.**, Tai Po (HK)
- (**) Term: **15 Years**
- (21) Appl. No.: **29/680,738**
- (22) Filed: **Feb. 19, 2019**

D737,159 S * 8/2015 Akana D10/32
 D739,768 S * 9/2015 Hanshew D10/30
 D741,726 S * 10/2015 Akana D10/30
 (Continued)

FOREIGN PATENT DOCUMENTS

EP 3037999 A1 6/2016

OTHER PUBLICATIONS

VTech Kidizoom Smart Watch, posted on amazon.com, earliest reviewed Sep. 5, 2015, no production date given, [online], [site visited Jan. 29, 2018], Available from Internet, URL: <https://www.amazon.co.uk/VTech-Kidizoom-Smart-Watch-Electronic/> (Year: 2015).
 (Continued)

Related U.S. Application Data

- (63) Continuation of application No. 29/594,458, filed on Feb. 17, 2017, now Pat. No. Des. 841,005.
- (51) **LOC (12) Cl.** **14-02**
- (52) **U.S. Cl.**
USPC **D14/344; D10/70**
- (58) **Field of Classification Search**
USPC D10/30-32, 38, 40, 41, 46, 79, 106.5, D10/106.6, 106.92, 106.94, 114.6, 123, D10/125, 126, 128, 131; D11/1-4, 93, D11/94; D14/138, 144, 341, 344, 358, D14/485; D24/167, 169, 186, 187
CPC A61B 5/0022; A61B 5/02438; A61B 5/681
See application file for complete search history.

Primary Examiner — Brett Miller
Assistant Examiner — Fritzgerald L Butac
 (74) *Attorney, Agent, or Firm* — McAndrews, Held & Malloy, Ltd.

(57) **CLAIM**

The ornamental design for a wearable electronic device, as shown and described.

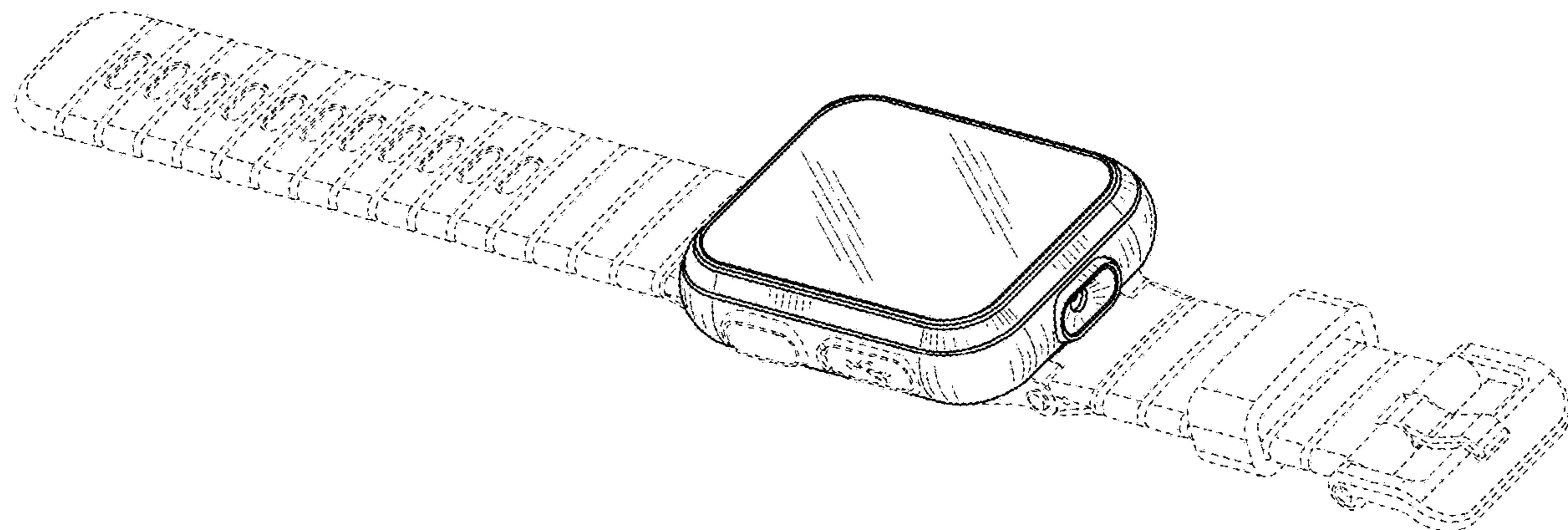
DESCRIPTION

FIG. 1 is a front perspective view of a wearable electronic device showing my new design;
 FIG. 2 is a rear perspective view thereof;
 FIG. 3 is a front elevation view thereof;
 FIG. 4 is a rear elevation view thereof;
 FIG. 5 is a right-side elevation view thereof;
 FIG. 6 is a left-side elevation view thereof;
 FIG. 7 is a top plan view thereof; and,
 FIG. 8 is a bottom plan view thereof.
 The broken lines in the drawings illustrate portions of the wearable electronic device that form no part of the claimed design.

1 Claim, 6 Drawing Sheets

(56) **References Cited**
U.S. PATENT DOCUMENTS

D709,873 S * 7/2014 Aumiller D14/344
 D719,123 S * 12/2014 Park D10/38
 D725,497 S * 3/2015 Henne et al.
 D728,624 S * 5/2015 Akana D14/496
 D734,330 S * 7/2015 Huang D14/344
 D737,156 S * 8/2015 Akana D10/32
 D737,157 S * 8/2015 Akana D10/32
 D737,158 S * 8/2015 Akana D10/32



(56)

References Cited

U.S. PATENT DOCUMENTS

D744,356 S * 12/2015 Akana D10/70
 D745,421 S * 12/2015 Akana D10/32
 D746,707 S * 1/2016 Akana D10/39
 D750,693 S * 3/2016 Sammons D16/237
 D756,824 S * 5/2016 Akana D10/103
 D757,722 S * 5/2016 Akana D10/31
 D759,725 S * 6/2016 Akana D14/496
 D761,793 S * 7/2016 Akana D10/31
 D771,035 S * 11/2016 Akana D14/344
 D771,036 S * 11/2016 Akana D14/344
 D775,126 S * 12/2016 Montero Odasso D10/38
 D777,163 S * 1/2017 Akana D14/344
 D805,929 S 12/2017 Akana et al.
 D806,071 S 12/2017 Akana et al.
 D807,765 S 1/2018 Akana et al.
 D808,385 S * 1/2018 Yuan D14/344
 D832,252 S * 10/2018 Akana D14/344
 D837,206 S * 1/2019 Guan D14/344
 D838,716 S * 1/2019 Teng D14/344
 D839,753 S * 2/2019 Domke D10/30
 D841,005 S * 2/2019 Lin D14/344
 D860,835 S * 9/2019 Kojima D10/70
 D861,168 S * 9/2019 Paschke D24/167
 D862,462 S * 10/2019 Zhang D14/344
 D864,767 S * 10/2019 Vandenbussche D10/70

D866,350 S * 11/2019 Park D10/38
 D867,179 S * 11/2019 Akana D10/70
 D869,461 S * 12/2019 Ke D14/344
 D869,462 S * 12/2019 Ke D14/344
 D874,955 S * 2/2020 Komulainen D10/70
 D875,576 S * 2/2020 Akana D10/70
 D875,587 S * 2/2020 Akana D10/103
 D876,244 S * 2/2020 Park D10/32
 D876,966 S * 3/2020 Shi D10/30
 D877,145 S * 3/2020 Shin D14/344
 2016/0192526 A1 6/2016 Gao et al.
 2016/0317086 A1 11/2016 Smith et al.
 2017/0086743 A1 3/2017 Bushnell et al.
 2018/0017943 A1 1/2018 Huang

OTHER PUBLICATIONS

FiLIP 2 Review, posted on toptenreviews.com, no posted date given, no production date given, [online], [site visited Jan. 29, 2018], Available from Internet, URL: <http://www.toptenreviews.com/electronics/gps/best-gps-trackers/filip-review/> (Year: 2018).
 Top 10 Kids SmartWatches 2018, posted on smartwatches4u.com, posted Dec. 29, 2016, no production date given, [online], site visited Jan. 29, 2018], Available from Internet, URL: <http://www.smartwatches4u.com/news/Top-Kids-Smartwatches> (Year: 2016).

* cited by examiner

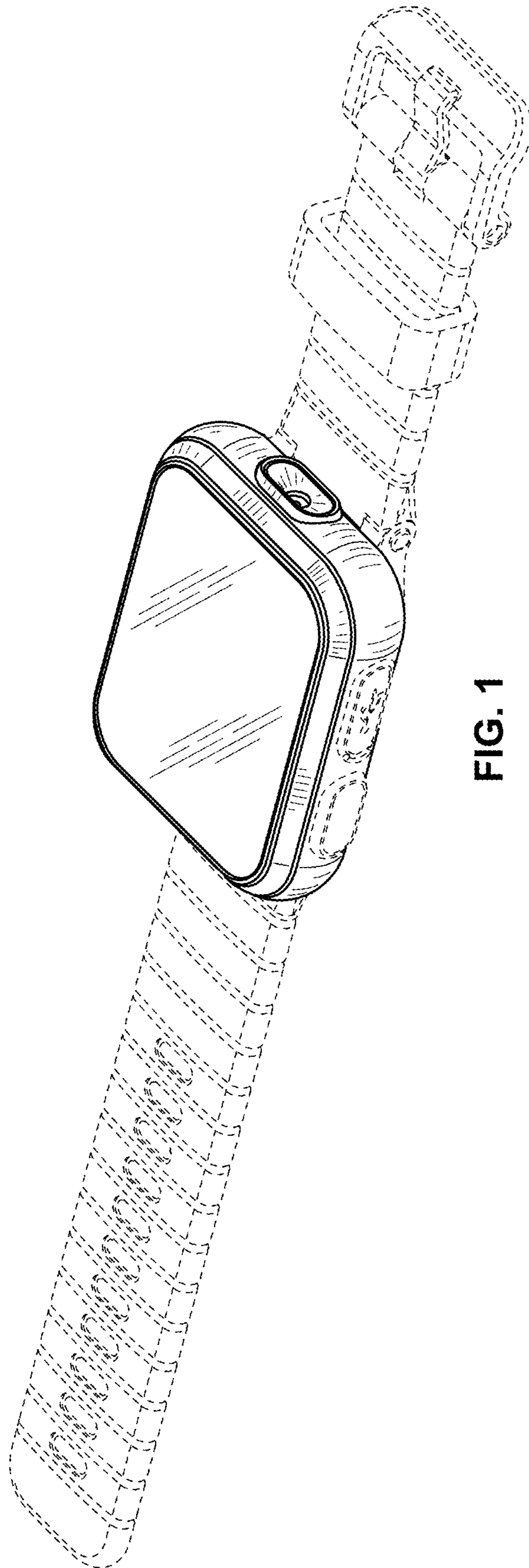


FIG. 1

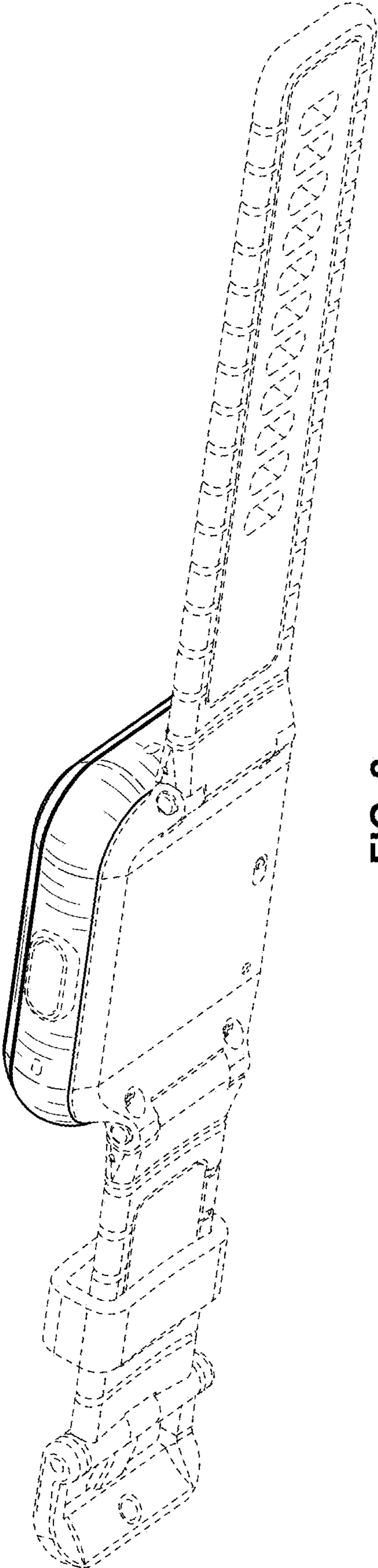


FIG. 2

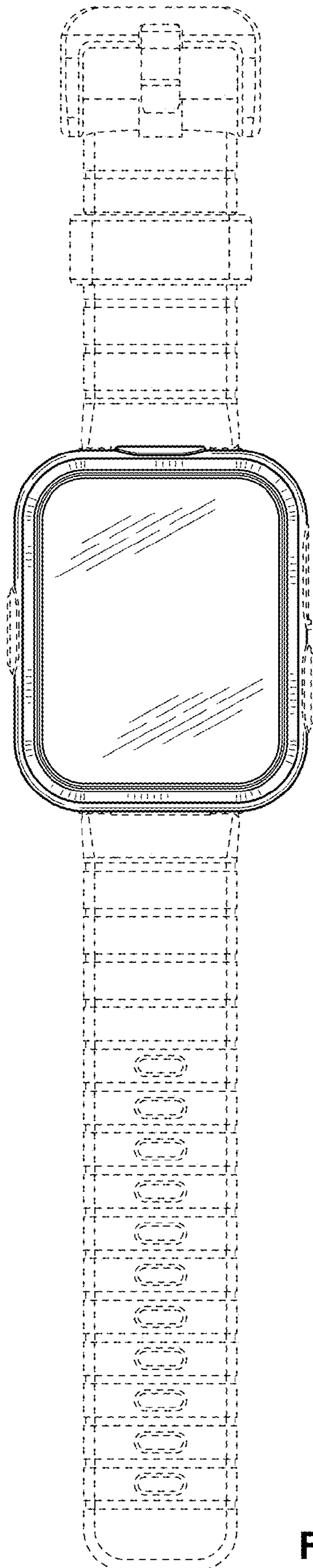


FIG. 3

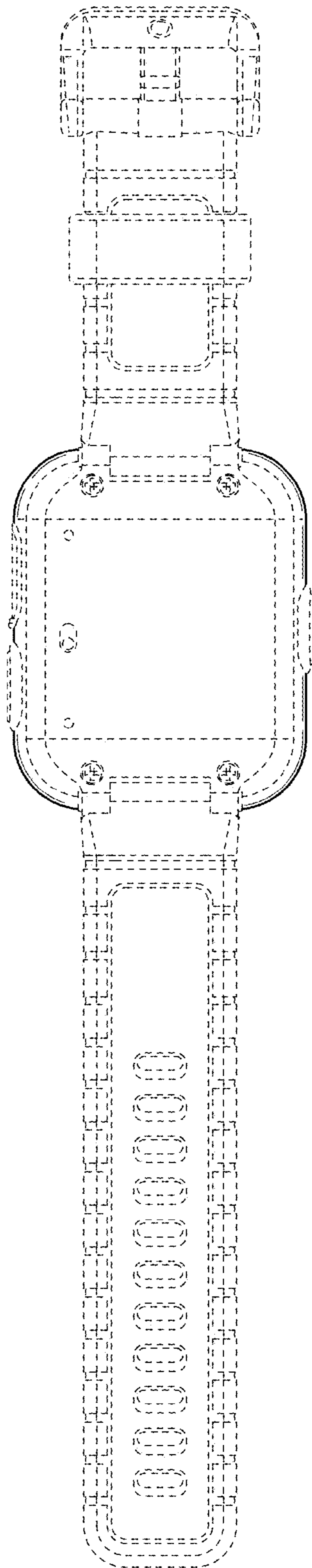


FIG. 4

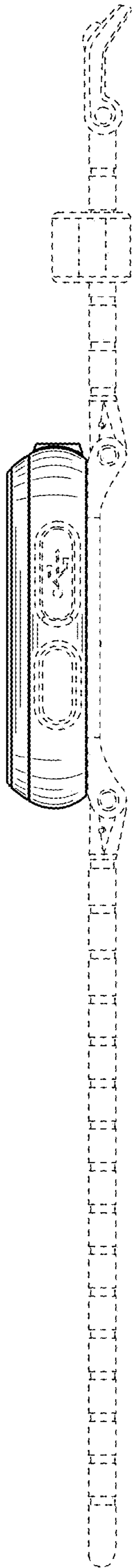


FIG. 5

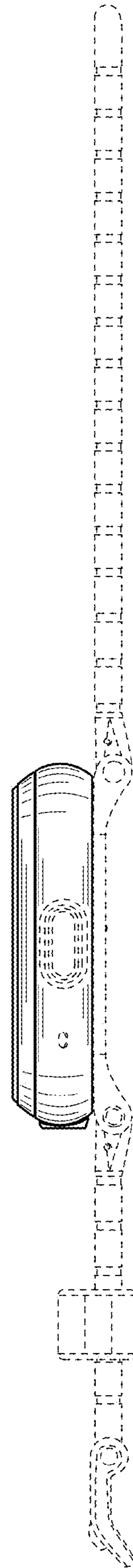


FIG. 6

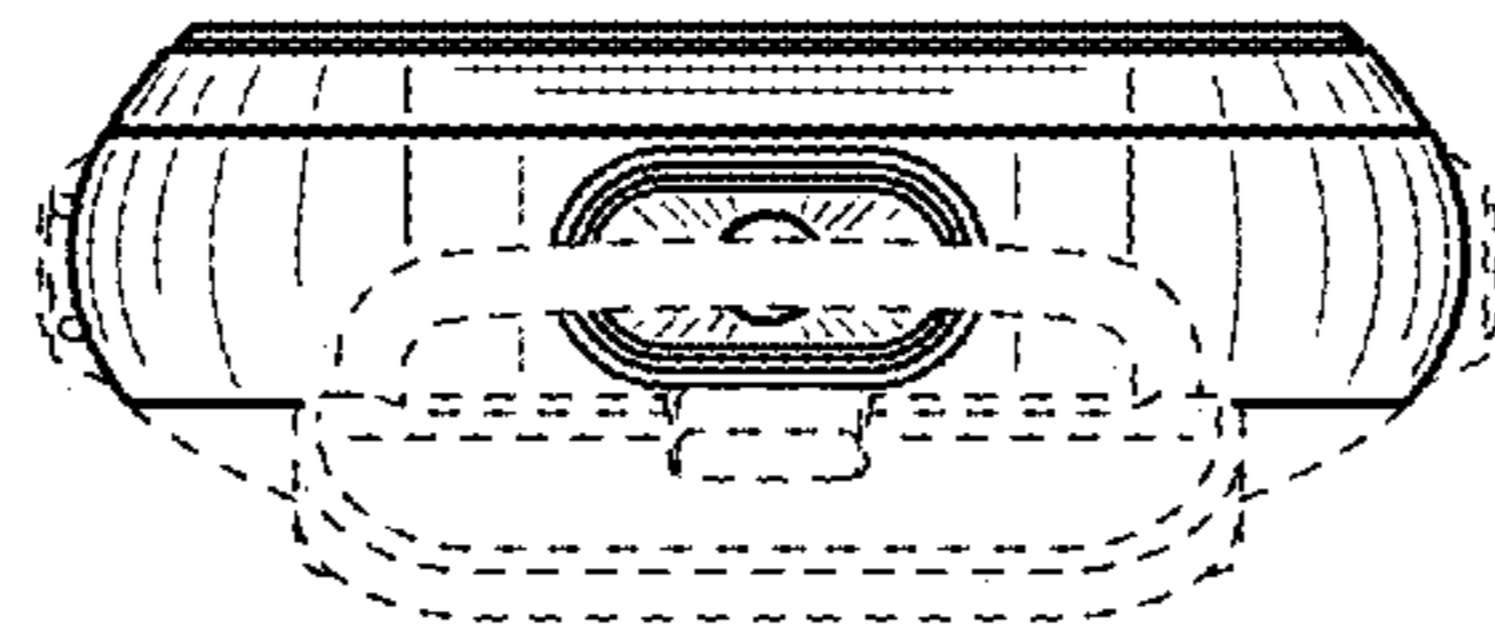


FIG. 7

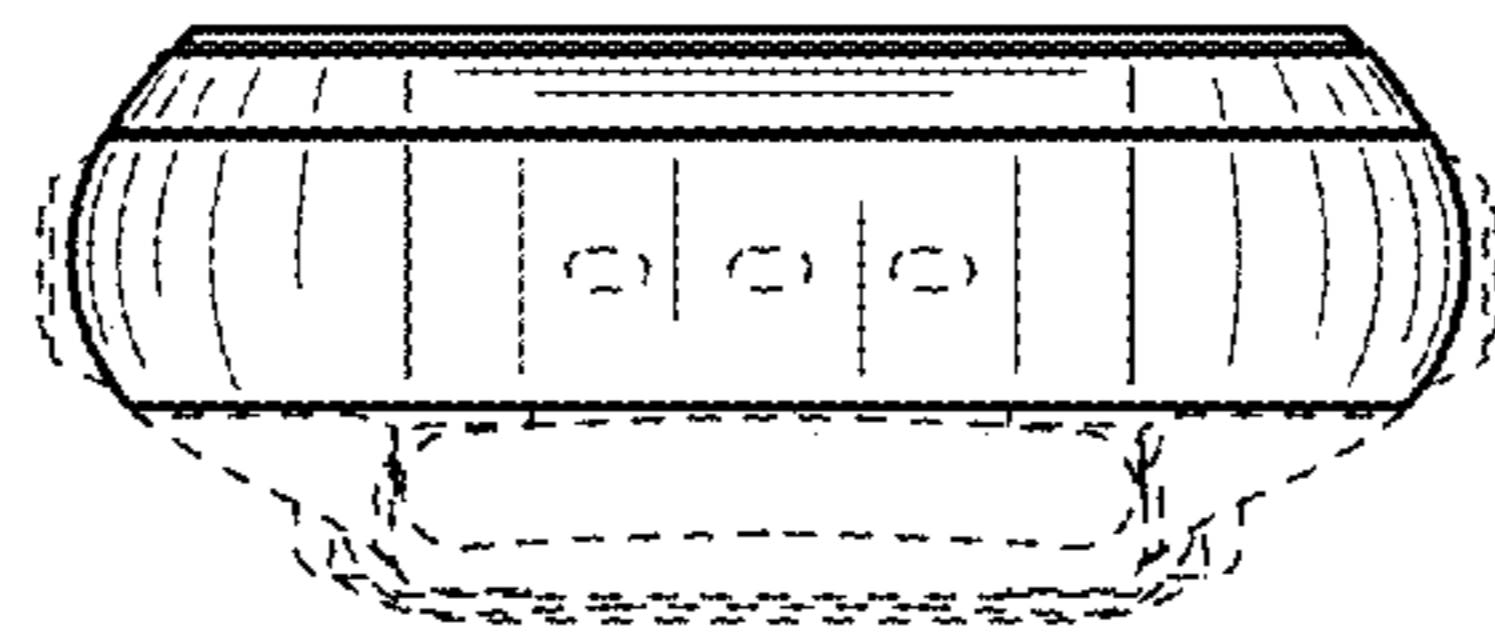


FIG. 8