



US00D891424S

(12) **United States Design Patent** (10) **Patent No.:** **US D891,424 S**
Wu (45) **Date of Patent:** **** Jul. 28, 2020**

(54) **WEARABLE SMARTBAND**
(71) Applicant: **Dajun Wu**, Hunan (CN)
(72) Inventor: **Dajun Wu**, Hunan (CN)
(73) Assignee: **Shenzhen DO Intelligent Technology Co., Ltd.**, Shenzhen, Guangdong (CN)
(**) Term: **15 Years**

D755,176 S * 5/2016 Jung D14/344
D765,656 S * 9/2016 Forakis D10/38
D770,321 S * 11/2016 Murphy D11/3
9,785,121 B2 * 10/2017 Brown G04F 10/00
D805,643 S * 12/2017 Wu D24/167
D808,962 S * 1/2018 Wu D14/344
D824,899 S * 8/2018 Yang D14/344
D833,412 S * 11/2018 Guan D14/186
D840,041 S * 2/2019 Li D24/186
2004/0057578 A1 * 3/2004 Brewer G04G 21/04
379/433.1

(21) Appl. No.: **29/606,544**
(22) Filed: **Jun. 6, 2017**
(51) **LOC (12) Cl.** **14-02**
(52) **U.S. Cl.**
USPC **D14/344**
(58) **Field of Classification Search**
USPC .. D14/138 R, 144, 341, 344, 358, 388, 218;
D10/30-39, 70, 98; D11/3, 4, 26, 93-94,
D11/78.1, 79, 86; D24/167, 169,
D24/186-187, 164
CPC A41D 1/002; A41D 19/0034; G06F 1/04;
G06F 1/08; G06F 1/10; G06F 1/14; G06F
1/1626; G06F 1/1628; G06F 1/163; G06F
1/1635; G06F 1/3203; G06Q 20/10;
G06Q 20/12; G06Q 20/108; G06Q
20/145; H04B 1/3833; H04B 1/385;
H04B 1/3888; H04M 1/02; H04M 1/03;
H04M 1/04; H04M 1/05; H04M 1/667;
H04M 1/6058; Y02B 60/1217
See application file for complete search history.

OTHER PUBLICATIONS

ID101 HR Fitness tracker Smart wristband, posted May 7, 2017, [retrieved Aug. 17, 2019]. Retrieved from Internet, <URL: <https://www.amazon.ca/wristband-WENEWER-touch-screen-monitor-Waterproof-Notification/dp/B06XXJLW2F> >.*

(Continued)

Primary Examiner — Shannon W Morgan
Assistant Examiner — Kristin E Reed

(57) **CLAIM**

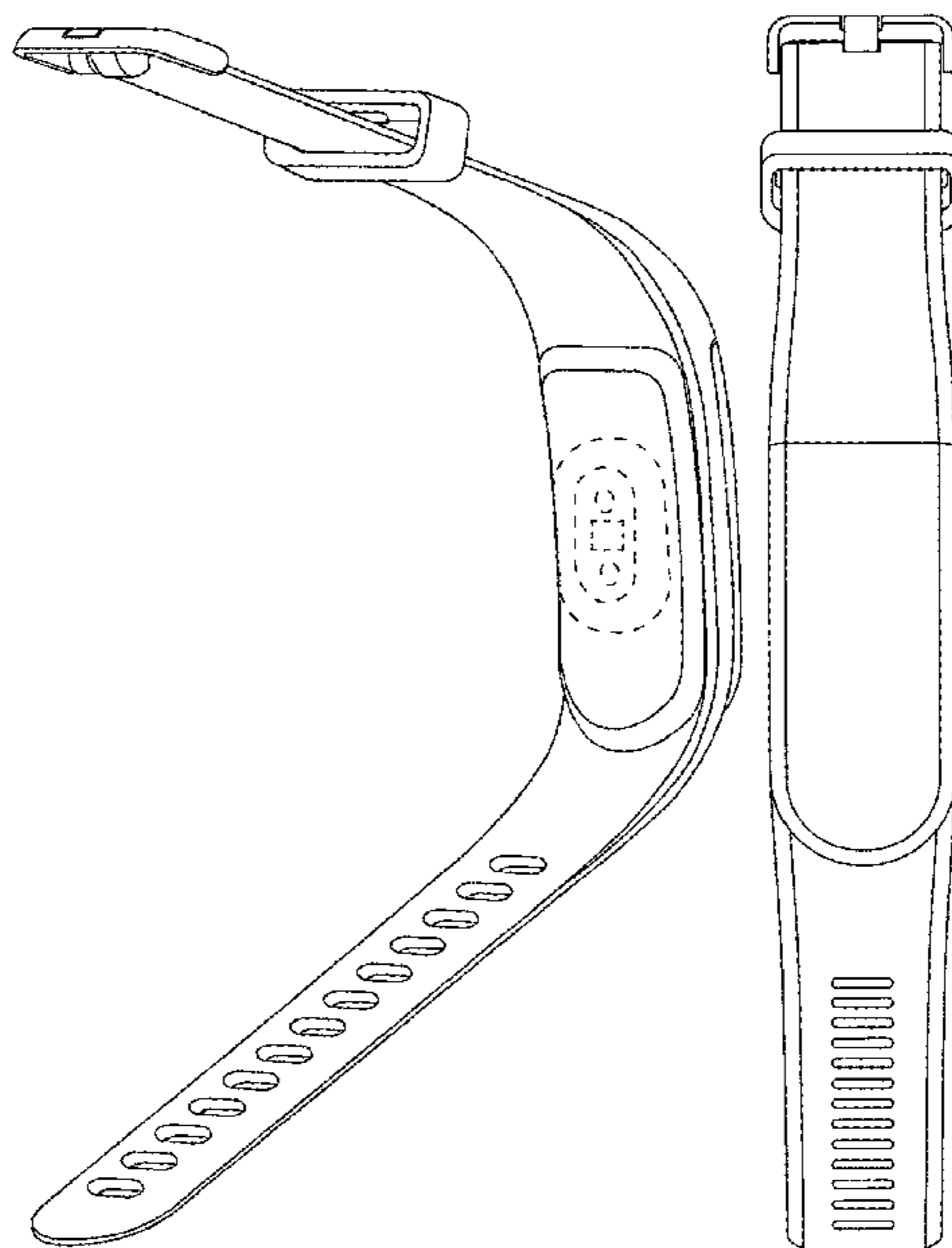
The ornamental design for a wearable smartband, as shown and described.

DESCRIPTION

FIG. 1 is a perspective view of a wearable smartband showing my new design;
FIG. 2 is a front elevational view thereof;
FIG. 3 is a rear elevational view thereof;
FIG. 4 is a left side elevational view thereof;
FIG. 5 is a right side elevational view thereof;
FIG. 6 is a top plan view thereof; and,
FIG. 7 is a bottom plan view thereof.
The broken lines in the drawings depict portions of the wearable smartband that form no part of the claimed design.

1 Claim, 7 Drawing Sheets

(56) **References Cited**
U.S. PATENT DOCUMENTS
D564,367 S * 3/2008 Molyneux D10/31
8,370,549 B2 * 2/2013 Burton A63B 24/00
710/63
D725,072 S * 3/2015 Kim D10/38



(56)

References Cited

OTHER PUBLICATIONS

DIGGRO ID101 Heart Rate Monitor Smart Bracelet, posted Dec. 6, 2016, [retrieved Aug. 17, 2019]. Retrieved from Internet, <URL: <https://www.amazon.co.uk/DIGGRO-Bracelet-Waterproof-Sedentary-Bluetooth/dp/B01MQSWWP3> >.*

SX102 Waterproof Blood Pressure Heart Rate Monitor Smart Band—Gray, posted unknown, [retrieved Aug. 17, 2019]. Retrieved from Internet, <URL: <https://www.dx.com/p/sx102-waterproof-blood-pressure-heart-rate-monitor-smart-band-gray-2083805#.XVhLGfKjV> >.*

* cited by examiner

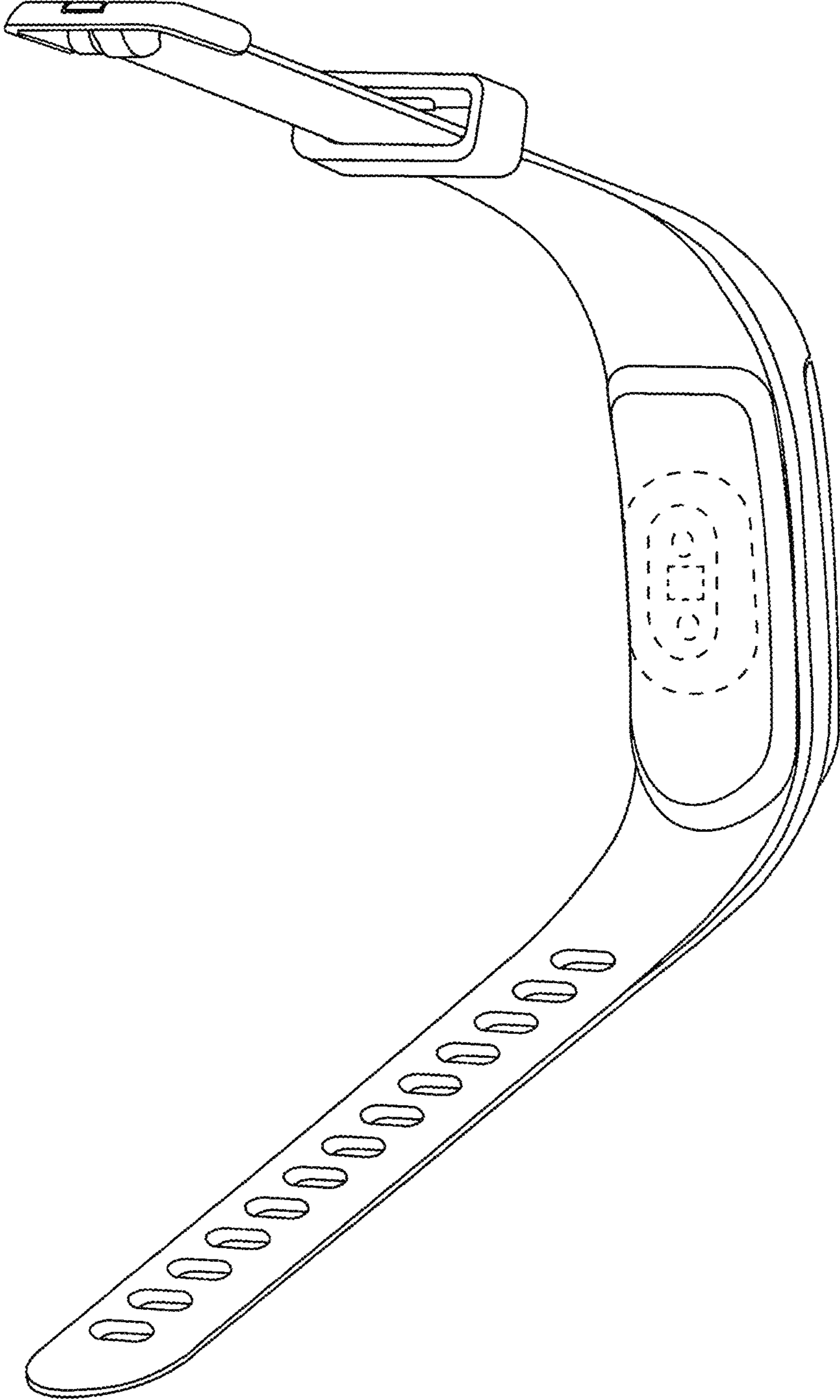


FIG. 1

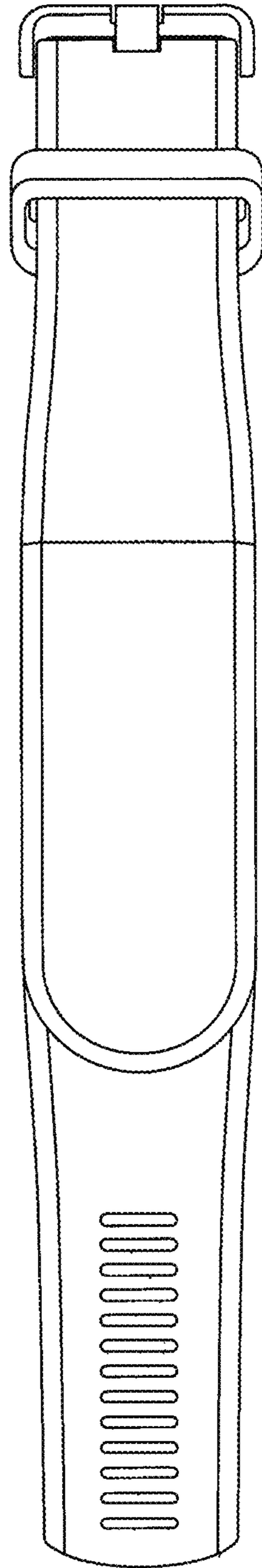


FIG. 2

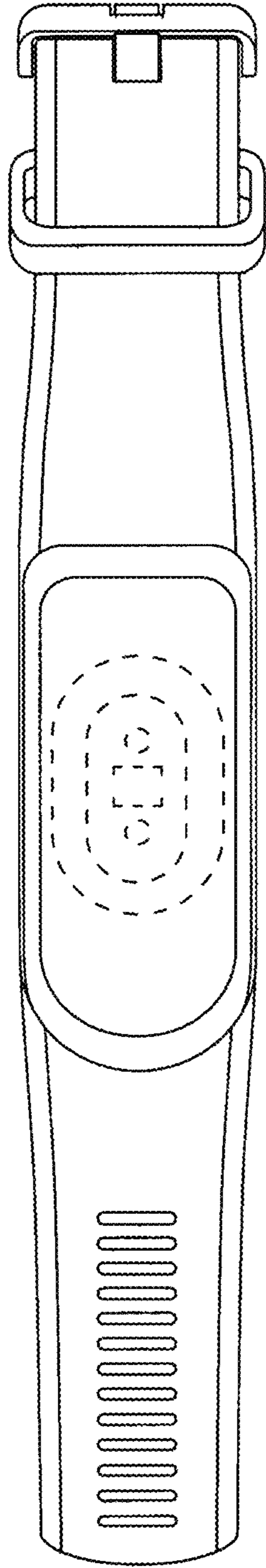


FIG. 3

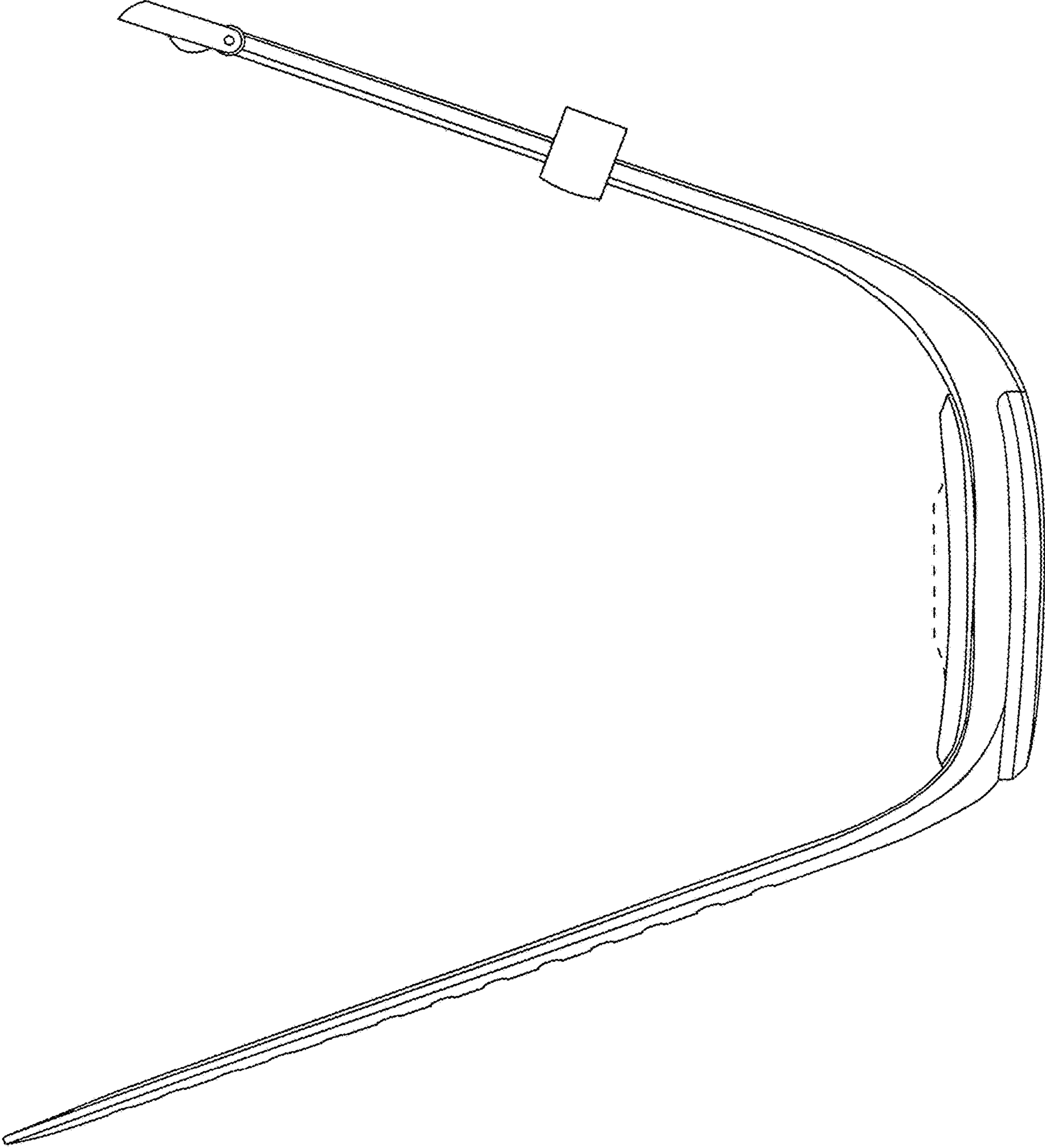


FIG. 4

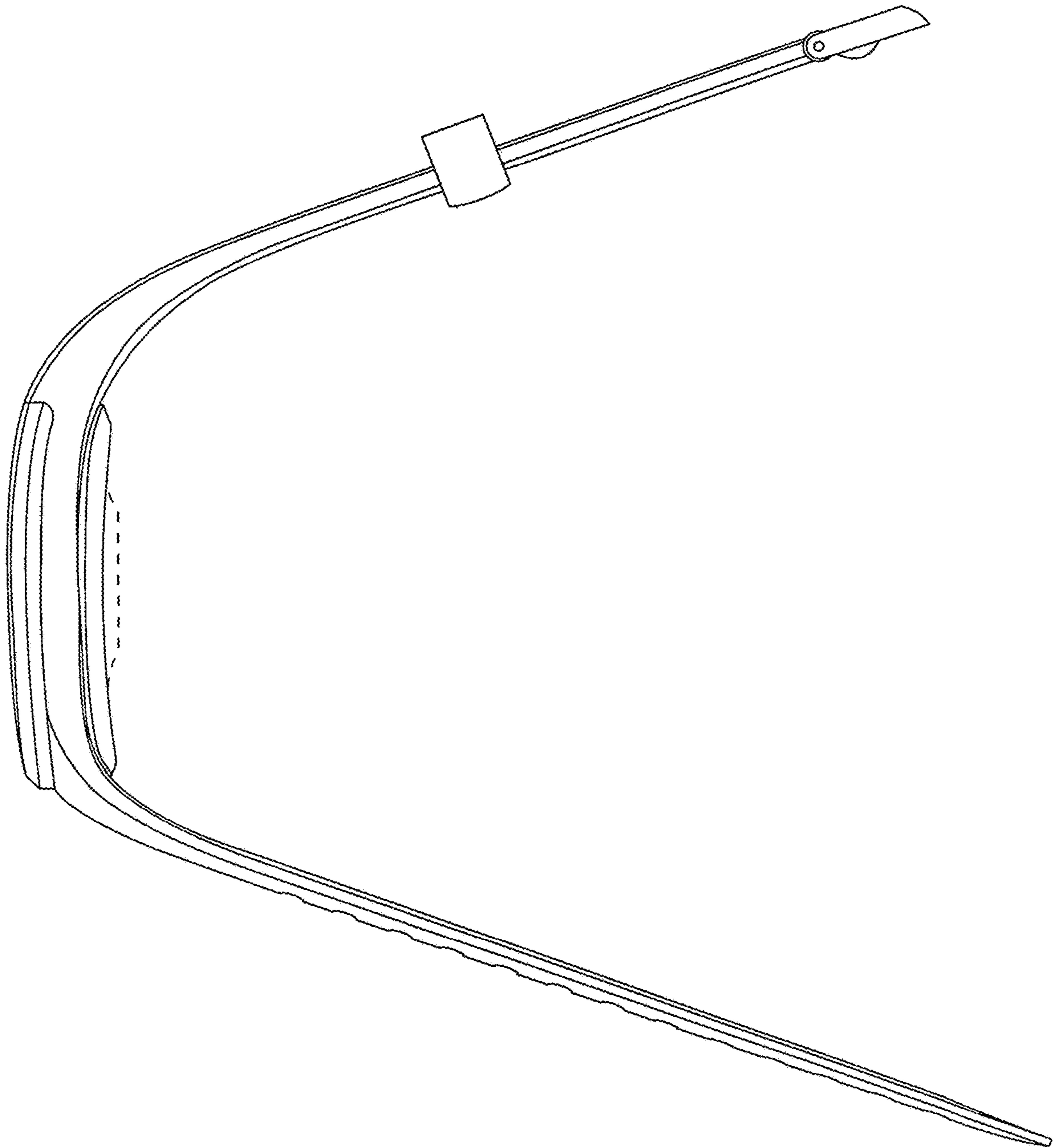


FIG. 5

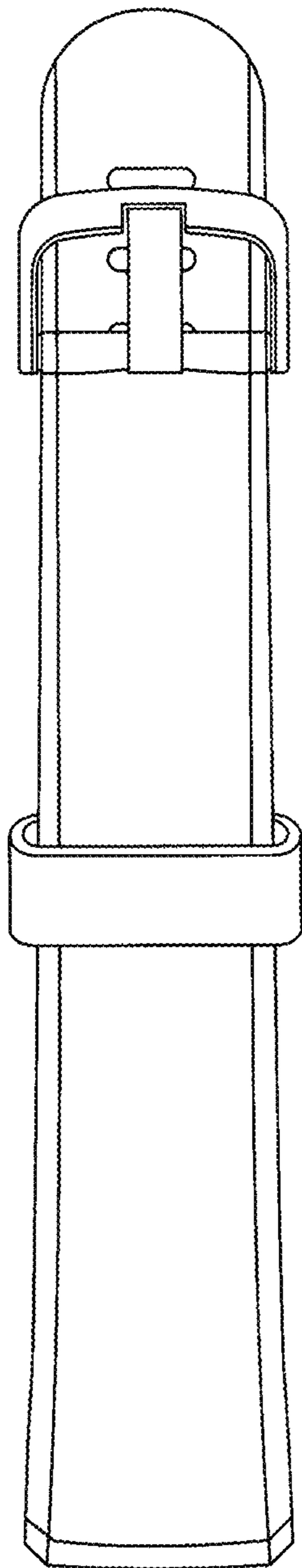


FIG. 6

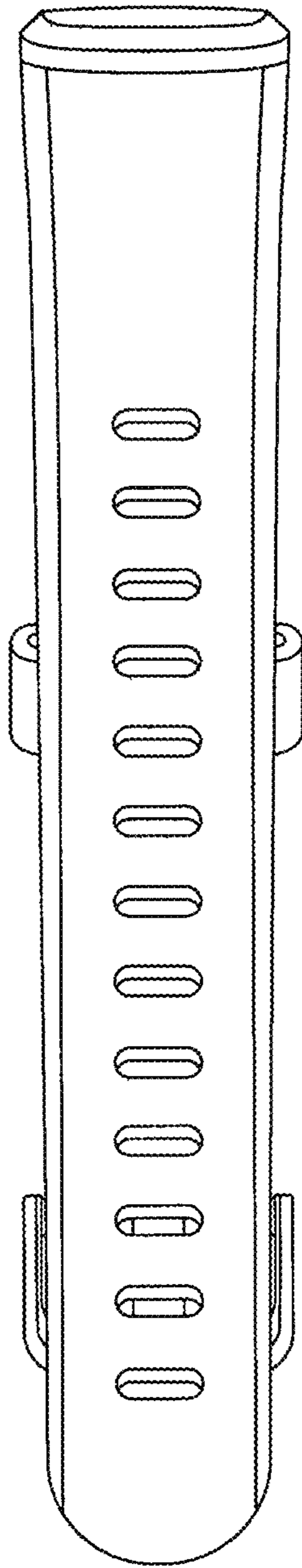


FIG. 7