



US00D891423S

(12) **United States Design Patent**  
**Seoc et al.**

(10) **Patent No.:** **US D891,423 S**  
(45) **Date of Patent:** **\*\* Jul. 28, 2020**

(54) **NOTEBOOK COMPUTER**  
(71) Applicant: **SAMSUNG ELECTRONICS CO., LTD.**, Suwon-si, Gyeonggi-do (KR)  
(72) Inventors: **Hoyoung Seoc**, Seoul (KR); **Dongseok Lee**, Seoul (KR); **Iksang Kim**, Seoul (KR)  
(73) Assignee: **SAMSUNG ELECTRONICS CO., LTD.**, Gyeonggi-Do (KR)  
(\*\*) Term: **15 Years**  
(21) Appl. No.: **29/644,389**  
(22) Filed: **Apr. 17, 2018**  
(30) **Foreign Application Priority Data**  
Nov. 3, 2017 (KR) ..... 30-2017-0051341

(51) **LOC (12) Cl.** ..... **14-02**  
(52) **U.S. Cl.**  
USPC ..... **D14/327**  
(58) **Field of Classification Search**  
USPC ..... D14/315-328, 331, 334-335, 339-340;  
D18/1-2, 7, 11, 12.2-12.3  
CPC ..... G06F 1/166; G06F 1/1613; G06F 1/1616;  
G06F 1/1618; G06F 1/162; G06F 1/1622;  
G06F 1/1624; G06F 1/1633; G06F  
1/1615; G06F 1/1643; G06F 1/1654;  
G06F 1/1656; G06F 1/1669; G06F 1/203;  
G06F 1/1688; G06F 1/1601; G06F  
1/1637; G06F 1/181; G06F 1/1686; H05K  
5/0047; H05K 5/0052  
See application file for complete search history.

(56) **References Cited**  
U.S. PATENT DOCUMENTS

D616,881 S \* 6/2010 Andre ..... D14/318  
D705,217 S \* 5/2014 Kim ..... D14/315  
D705,773 S \* 5/2014 Tian ..... D14/316

D719,149 S \* 12/2014 Matsuoka ..... D14/318  
D729,227 S 5/2015 Fukuoka  
D742,871 S \* 11/2015 Schoenith ..... D14/315  
D746,808 S \* 1/2016 Matsuoka ..... D14/318  
D756,351 S \* 5/2016 Sun ..... D14/315  
(Continued)

**FOREIGN PATENT DOCUMENTS**

EM 003699040-0001 2/2017

**OTHER PUBLICATIONS**

Elise, Abigail, Chromebook vs. iPad, posted at IBTimes, posting date Dec. 2, 2014, site visited Mar. 25, 2020. URL: <https://www.ibtimes.com/chromebook-vs-ipad-googles-laptop-more-popular-classroom-1732013> (Year: 2014).\*  
(Continued)

*Primary Examiner* — Kevin K Rudzinski  
*Assistant Examiner* — Kathleen L Jones  
(74) *Attorney, Agent, or Firm* — Cantor Colburn LLP

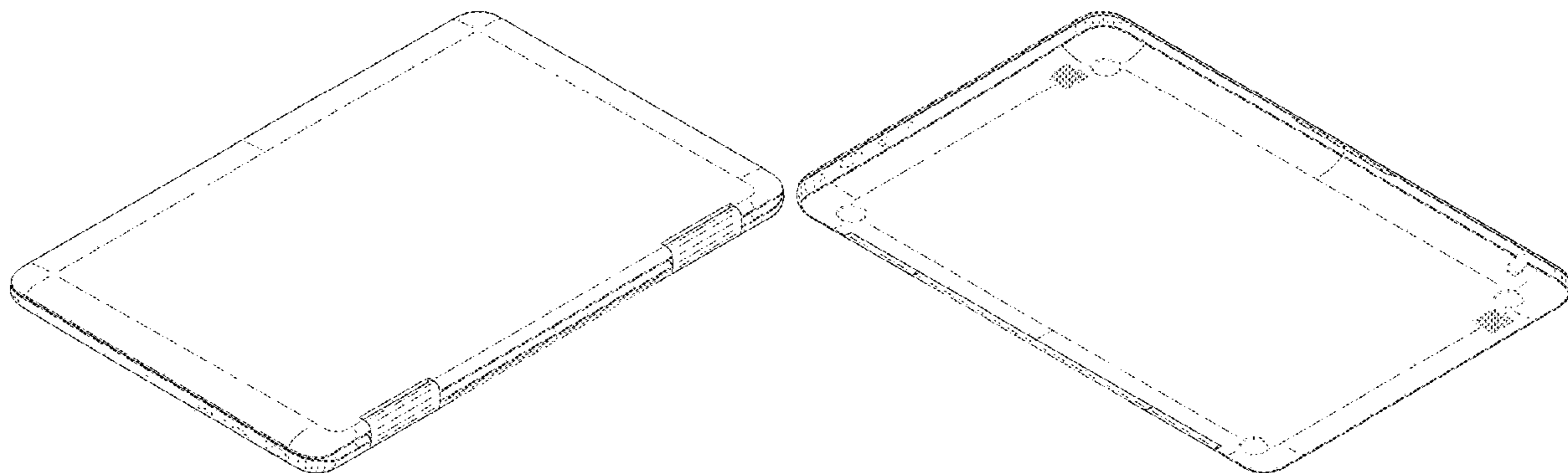
(57) **CLAIM**

The ornamental design for a notebook computer, as shown and described.

**DESCRIPTION**

FIG. 1 is a top rear perspective view of a notebook computer showing our new design;  
FIG. 2 is a front view thereof;  
FIG. 3 is a rear view thereof;  
FIG. 4 is a left-side view thereof;  
FIG. 5 is a right-side view thereof;  
FIG. 6 is a top view thereof;  
FIG. 7 is a bottom view thereof;  
FIG. 8 is a bottom perspective view thereof; and,  
FIG. 9 is another top view thereof showing an unfolded state of the notebook computer.  
The broken lines illustrating portions of the notebook computer form no part of the claimed design.

**1 Claim, 5 Drawing Sheets**



(56)

References Cited

U.S. PATENT DOCUMENTS

D756,352 S \* 5/2016 Matsuoka ..... D14/318  
 D763,249 S \* 8/2016 Lee ..... D14/315  
 D775,623 S \* 1/2017 Akana ..... D14/315  
 D780,172 S \* 2/2017 Chi ..... D14/315  
 D781,281 S \* 3/2017 Lyles ..... D14/315  
 D789,353 S \* 6/2017 Sakatsume ..... D14/315  
 D791,120 S 7/2017 Leonard et al.  
 D795,245 S \* 8/2017 Seoc ..... D14/315  
 D807,874 S \* 1/2018 Seoc ..... D14/316  
 D807,875 S \* 1/2018 Senatori ..... D14/316  
 D808,951 S \* 1/2018 Jung ..... D14/316  
 D813,860 S \* 3/2018 Doczy ..... D14/315  
 D820,827 S \* 6/2018 Seoc ..... D14/315  
 D826,226 S \* 8/2018 Schoenith ..... D14/315  
 D829,710 S \* 10/2018 Seoc ..... D14/315  
 D838,714 S \* 1/2019 Lin ..... D14/318  
 D865,756 S \* 11/2019 Moon ..... D14/327  
 2013/0027873 A1 \* 1/2013 Chen ..... G06F 1/203  
 361/679.46  
 2014/0185231 A1 \* 7/2014 Kamimura ..... G06F 1/20  
 361/679.47  
 2015/0007416 A1 \* 1/2015 Chen ..... G06F 1/1618  
 16/386  
 2016/0299538 A1 \* 10/2016 Senatori ..... G06F 1/1681  
 2018/0341288 A1 \* 11/2018 Senatori ..... G06F 1/16  
 2019/0237848 A1 \* 8/2019 Ramasamy ..... G06F 1/1677

OTHER PUBLICATIONS

Freedman, Andrew, Dell Latitude 5289 2-in-1 Review, posted at LaptopMag, posting date May 25, 2017, site visited Mar. 25, 2020. URL: <<https://www.laptopmag.com/reviews/laptops/dell-latitude-5289-2-in-1>> (Year: 2017).\*

HP ProBook 450 G3 15.6" Laptop for Business Users, posted at Laptop PC Specs, posted on Mar. 16, 2016. Site visited Mar. 25, 2020. URL: <<https://laptoping.com/specs/product/hp-probook-450-g3/>> (Year: 2016).\*

Ackerman, Dan, Samsung Notebook 7 Spin review, posted at CNET, posting date Aug. 15, 2016. Site visited Mar. 25, 2020. URL: <<https://www.cnet.com/reviews/samsung-notebook-7-spin-review/2/>> (Year: 2016).\*

Crothers, Brooke, Toshiba's 13-inch Chromebook available now, posted at CNET, posting date Feb. 6, 2014. Site visited Mar. 25, 2020. URL: <<https://www.cnet.com/news/toshibas-13-inch-chromebook-available-now/>> (Year: 2014).\*

Latitude 5289 12 Inch 2-in-1 Convertible Business Laptop. Dell United States [online]. pp. 1-4 [retrieved on Jul. 10, 2018]. Retrieved from the Internet: <URL: <https://www.dell.com/en-us/work/shop/dell-laptops-and-notebooks/latitude-5289-2-in-1/spd/latitude-12-5289-2-in-1-laptop>.>

Porsche Design's new laptop is like a Surface Book that can rotate 360 degrees. The Verge circuit breaker [online]. pp. 1-3 [retrieved on Jul. 19, 2018]. Retrieved from the Internet: <URL: <https://www.theverge.com/circuitbreaker/2017/2/27/14754142/porsche-design-book-one-release-mwc-2017>.>

\* cited by examiner

FIG.1

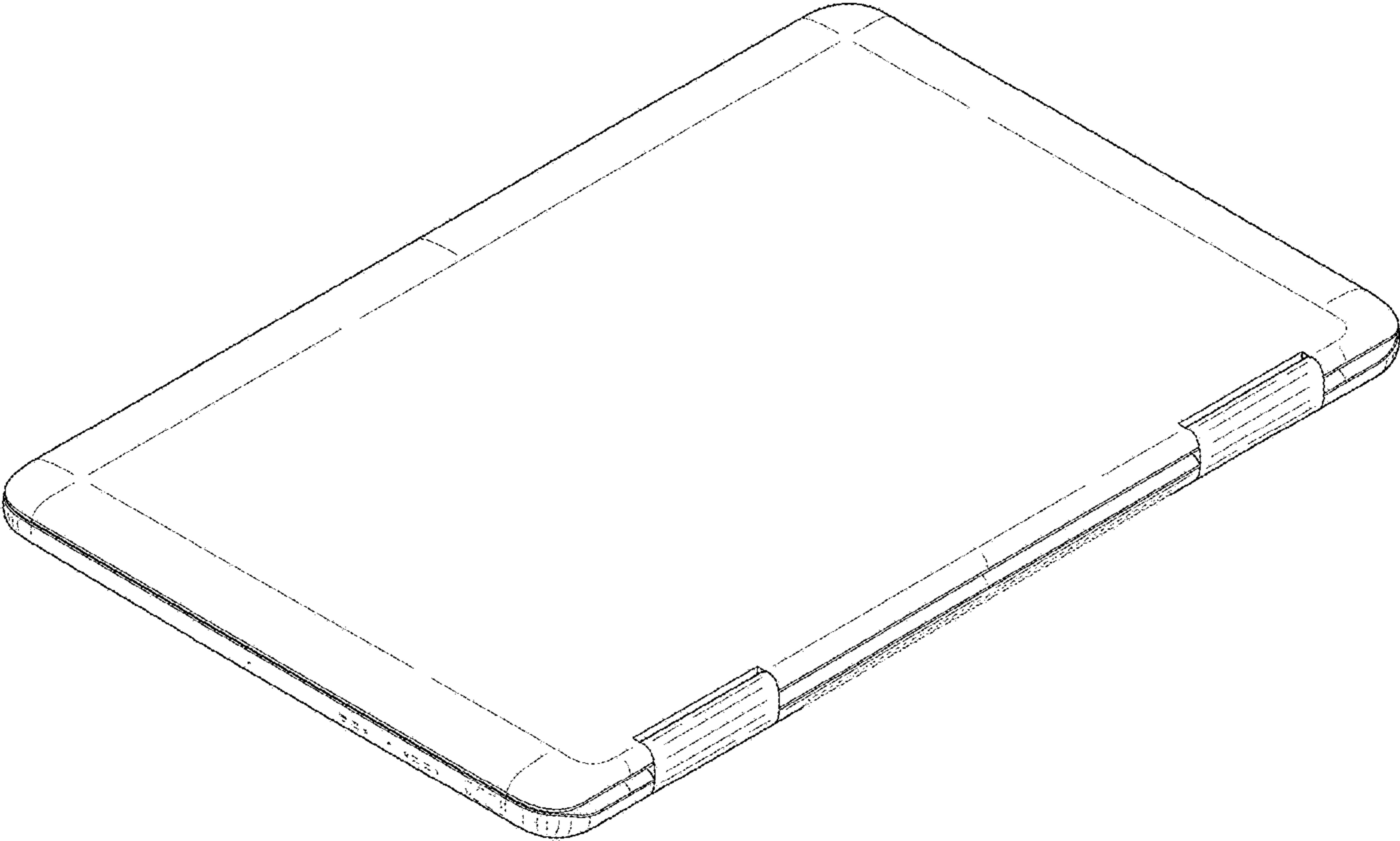


FIG.2

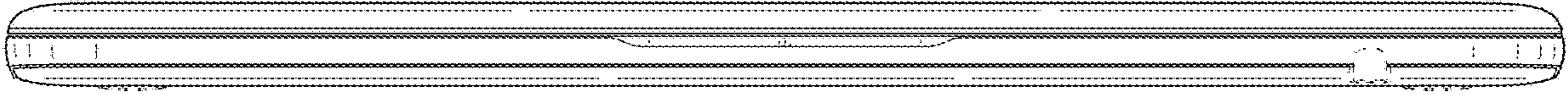


FIG.3

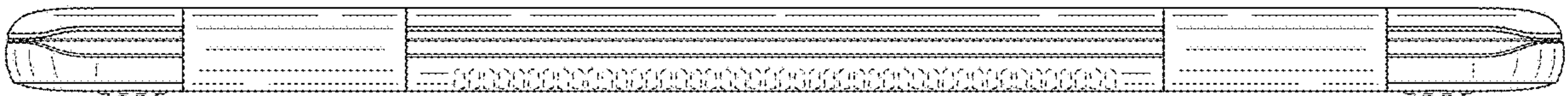


FIG.4

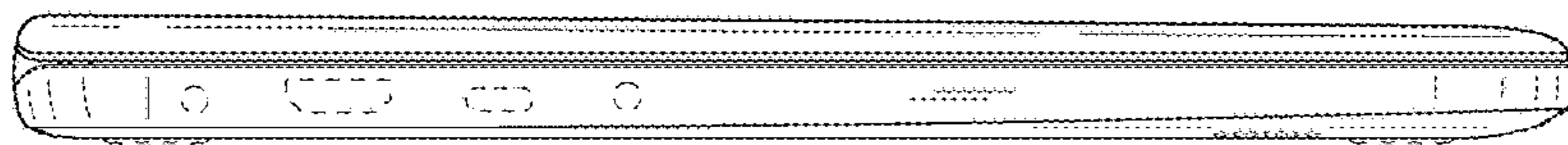


FIG.5

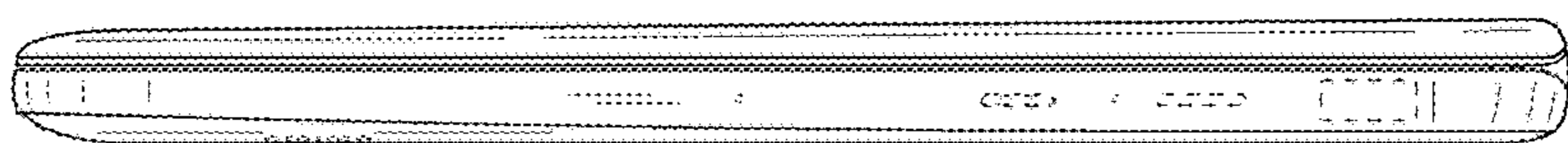


FIG.6

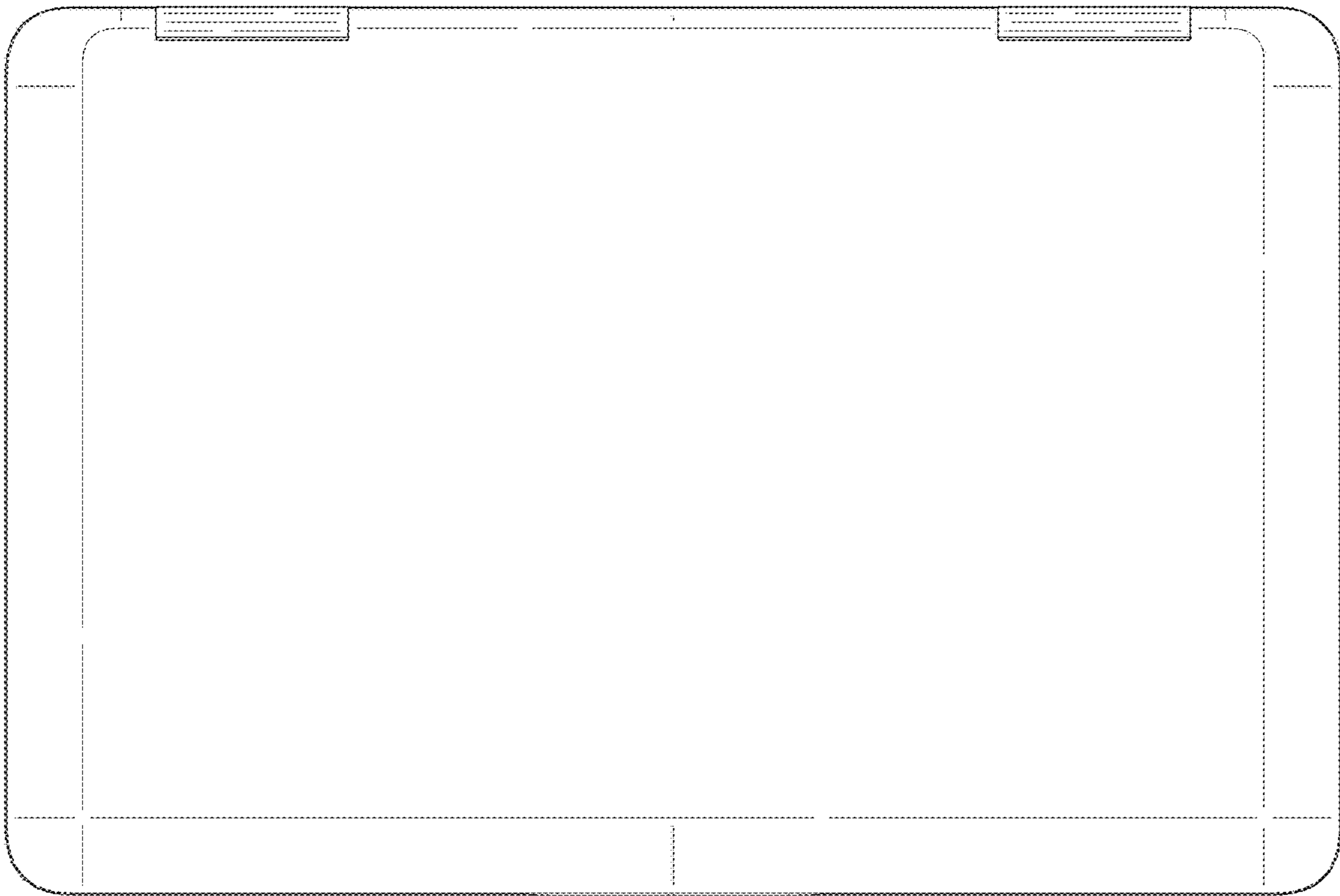


FIG.7

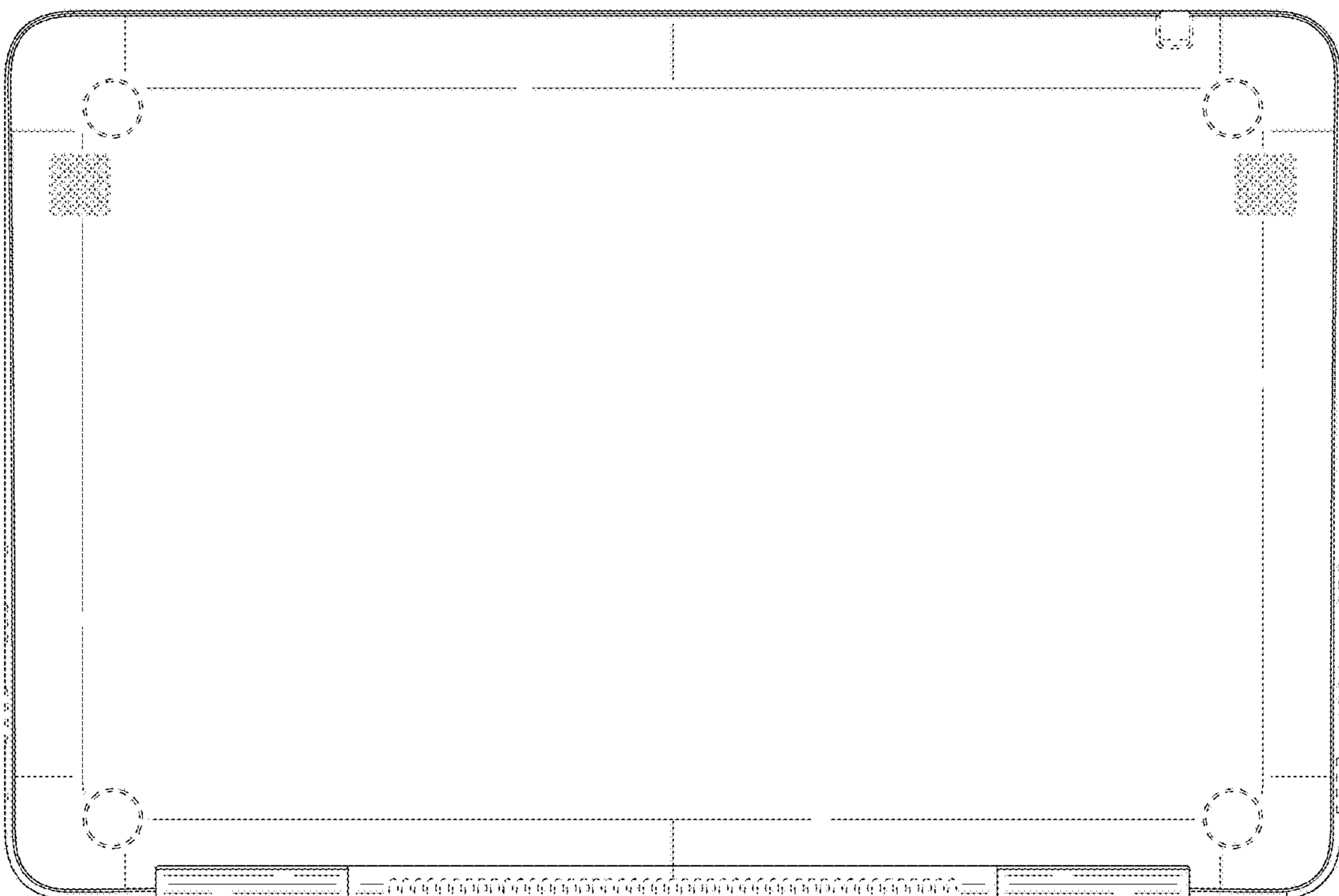


FIG.8

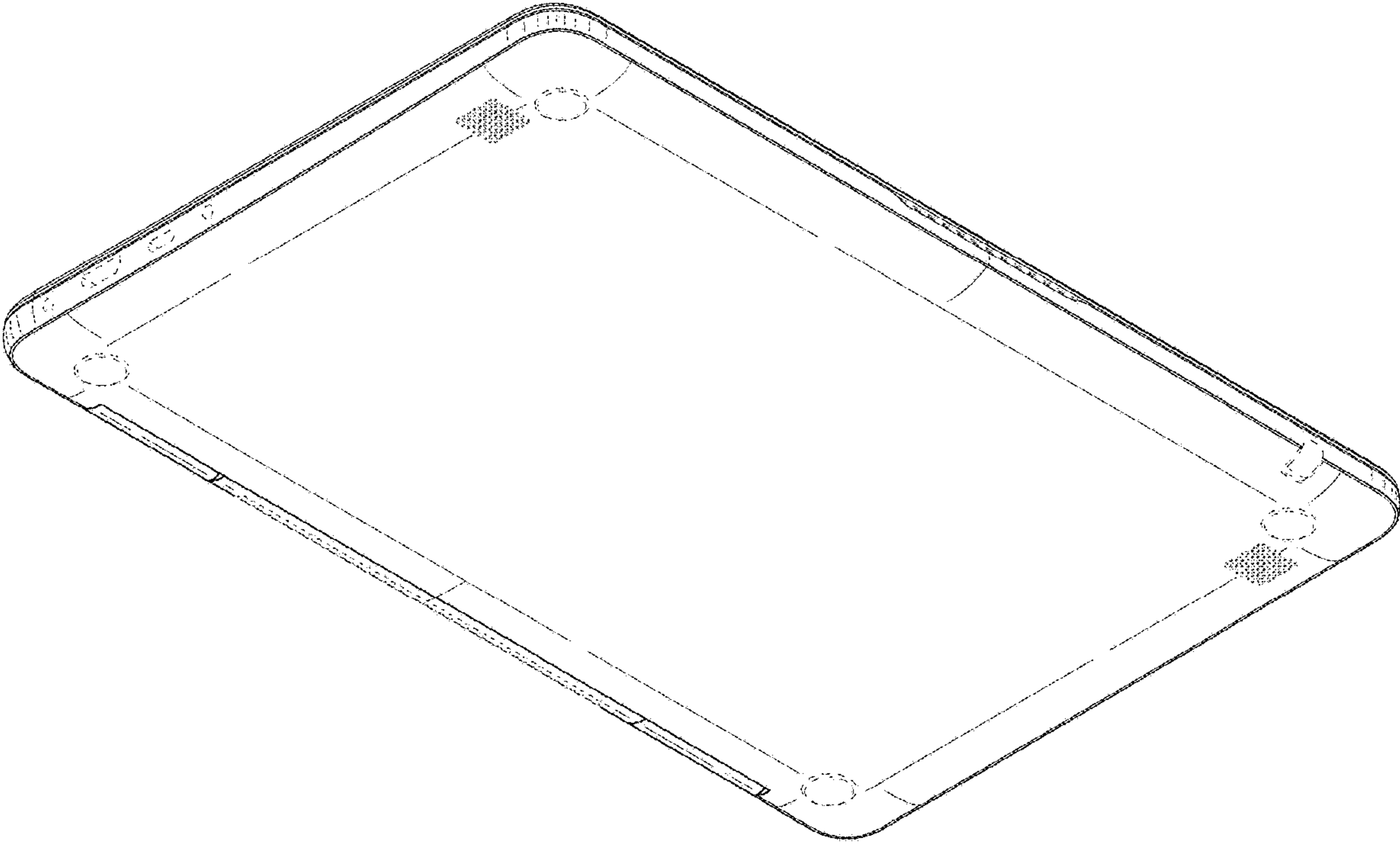


FIG.9

