



US00D891422S

(12) **United States Design Patent** (10) **Patent No.:** **US D891,422 S**
Ruggiero et al. (45) **Date of Patent:** **** Jul. 28, 2020**

- (54) **SINGLE-SIDED KIOSK SYSTEM**
- (71) Applicant: **Innovative Strollers LLC**, Clayton, NJ (US)
- (72) Inventors: **Richard Ruggiero**, Sewell, NJ (US);
Gregory Ruggiero, Sewell, NJ (US);
Matthew Marino, Blackwood, NJ (US)
- (73) Assignee: **INNOVATIVE STROLLERS LLC**, Clayton, NJ (US)

5,526,916 A 6/1996 Amdahl et al.
 D396,918 S 8/1998 Golichowski et al.
 5,921,373 A 7/1999 Amdahl et al.
 6,024,203 A 2/2000 Amdahl et al.
 (Continued)

FOREIGN PATENT DOCUMENTS

CN 105701656 A 6/2016
 JP 2000264213 A 9/2000
 (Continued)

OTHER PUBLICATIONS

“4 wheeled trolley cart”, <https://www.amazon.com/WPCBAA-Universal-Four-Wheel-Retractable-Load-Bearing/dp/B07RB12R5L>, 2020.

(Continued)

Primary Examiner — Austin Murphy
 (74) *Attorney, Agent, or Firm* — Fox Rothschild LLP

- (**) Term: **15 Years**
- (21) Appl. No.: **29/672,228**
- (22) Filed: **Dec. 4, 2018**
- (51) **LOC (12) Cl.** **14-02**
- (52) **U.S. Cl.**
USPC **D14/307**
- (58) **Field of Classification Search**
USPC D14/302–307, 900–902; D13/163;
D20/10; D21/332, 325, 369, 370;
D99/28; D6/397, 466; 194/206;
361/679.01, 679.02, 679.04, 679.21,
361/679.57, 725
CPC G06Q 20/18; G06Q 20/10; G06Q 20/123;
G06Q 20/20; G06Q 30/02; G06Q 30/06;
A47F 9/047
See application file for complete search history.

(57) **CLAIM**

The ornamental design for a single-sided kiosk system, as shown and described.

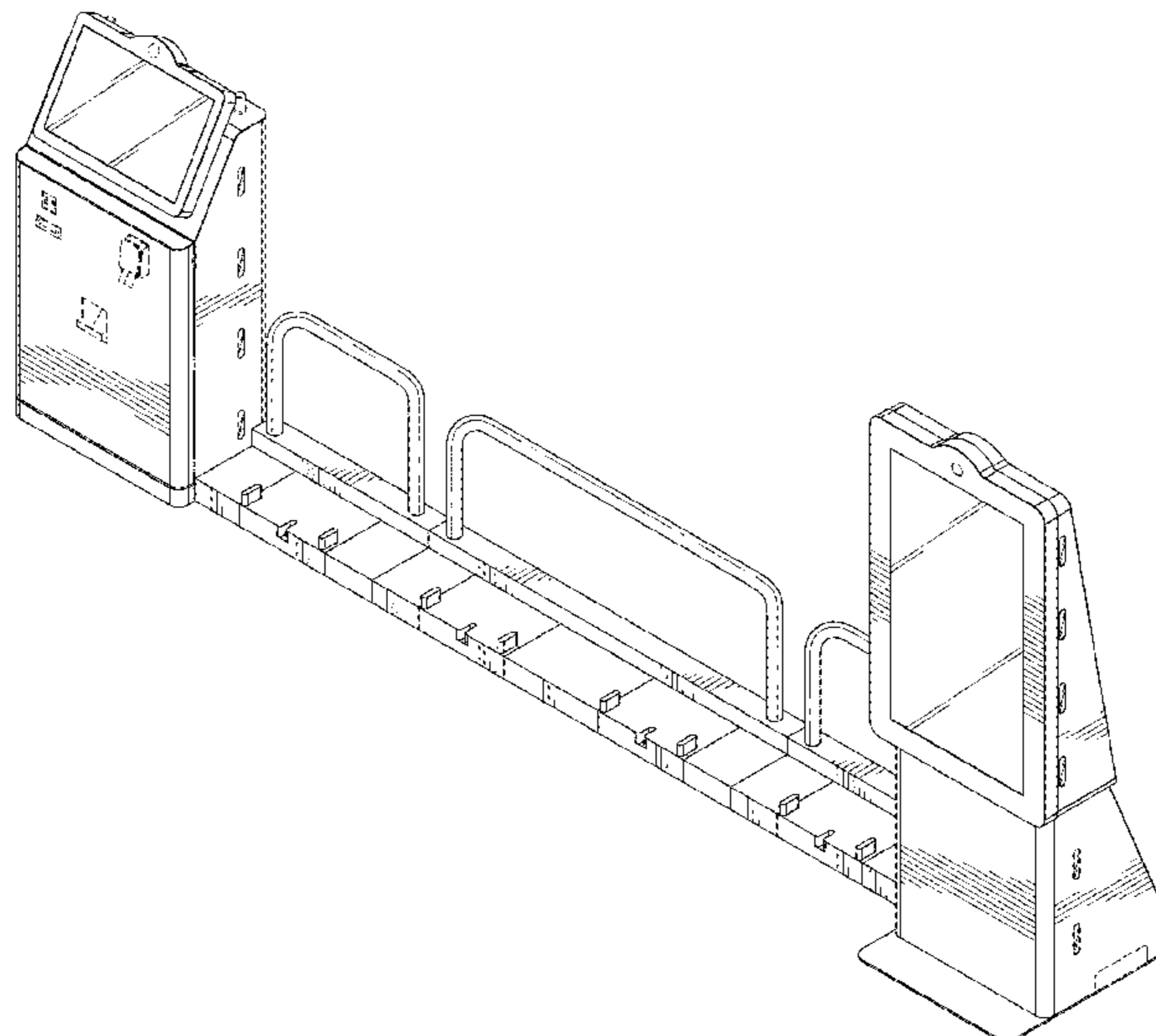
DESCRIPTION

FIG. 1 is a front perspective view of the single-sided kiosk system showing the new design with a single center modular component;
 FIG. 2 is a rear perspective view thereof;
 FIG. 3 is a front view thereof;
 FIG. 4 is a rear view thereof;
 FIG. 5 is a left-side view thereof;
 FIG. 6 is a right-side view thereof;
 FIG. 7 is a top view thereof; and,
 FIG. 8 is a bottom view thereof.
 The broken lines in the drawings depict portions of the single-sided kiosk system that form no part of the claimed design.

(56) **References Cited**
U.S. PATENT DOCUMENTS

3,102,648 A	9/1963	Hughes et al.
3,978,959 A	9/1976	Muellner
4,009,891 A	3/1977	Jensen
4,381,870 A	5/1983	Muellner
4,450,968 A	5/1984	Muellner
D289,578 S	4/1987	Ruffin
D302,063 S	7/1989	Frazier et al.
5,149,114 A	9/1992	Lewandowski et al.
D331,135 S	11/1992	Lewandowski et al.

1 Claim, 6 Drawing Sheets



(56)

References Cited

U.S. PATENT DOCUMENTS

6,125,985 A 10/2000 Amdahl et al.
 6,142,283 A 11/2000 Amdahl et al.
 6,250,451 B1 6/2001 Thirkill
 D470,895 S 2/2003 Cole
 D531,375 S 10/2006 Lauer et al.
 D566,702 S * 4/2008 Malone D14/307
 D607,948 S * 1/2010 de Viveiros Ortiz D14/307
 D611,047 S * 3/2010 Smith D14/307
 7,748,511 B1 7/2010 Maher
 D626,544 S * 11/2010 Bleck D14/307
 D658,721 S 5/2012 Yang
 8,272,491 B2 9/2012 Khairallah et al.
 D708,676 S * 7/2014 Ballman D14/307
 D709,264 S 7/2014 Lee et al.
 D716,792 S * 11/2014 Raymonde Looze D14/307
 D749,290 S 2/2016 Pollmann
 D752,573 S * 3/2016 Ballman D14/307
 D756,064 S 5/2016 Budde et al.
 9,418,345 B1 8/2016 Meehan et al.
 9,471,918 B1 10/2016 Krampe et al.
 D782,465 S * 3/2017 Chen D14/307
 D808,380 S * 1/2018 Dillon D14/307

D809,068 S 1/2018 Ballman et al.
 D809,069 S 1/2018 Ballman et al.
 9,904,917 B2 2/2018 Ruggiero et al.
 D828,348 S * 9/2018 Lee D14/307
 D841,643 S * 2/2019 Dillon D14/307
 D843,366 S 3/2019 Koltsov
 D871,498 S 12/2019 Kim
 2007/0205277 A1 9/2007 Tashiro
 2011/0052357 A1 3/2011 Torrison
 2013/0030998 A1 1/2013 Colley et al.
 2015/0356801 A1 12/2015 Nitu et al.

FOREIGN PATENT DOCUMENTS

JP 2017049777 3/2017
 JP 2019051840 A 4/2019

OTHER PUBLICATIONS

Mitchell et al "Wheelchairs: What life care planners should know."
 Inn: Journal of Life Care Planning. 2005 Retrieved on Feb. 29, 2020
 from <<http://www.figeducation.com/nlcp/resources/section-1Wheelchairs%20what%20LCP%20Should%20know.pdf>>.

* cited by examiner

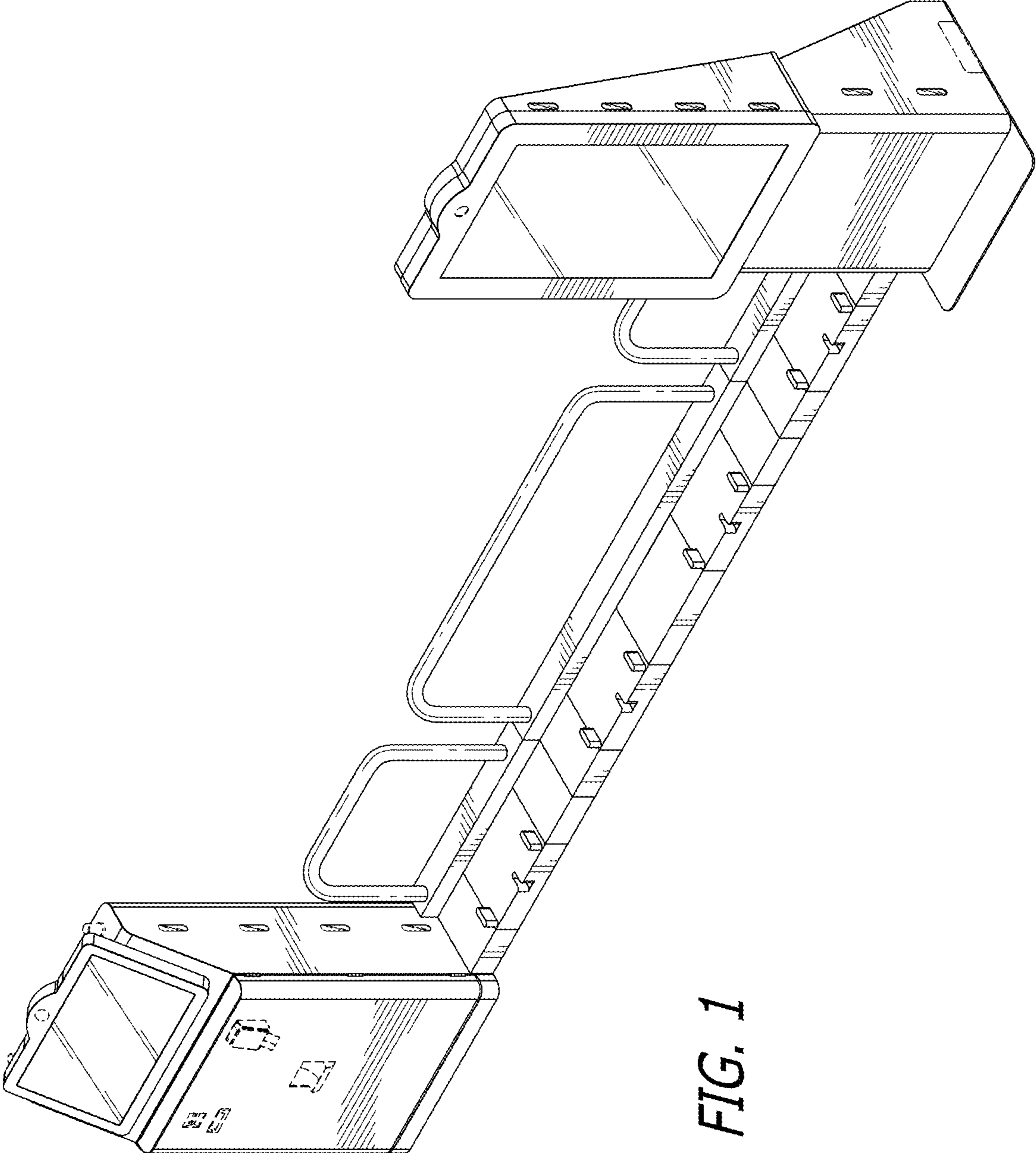
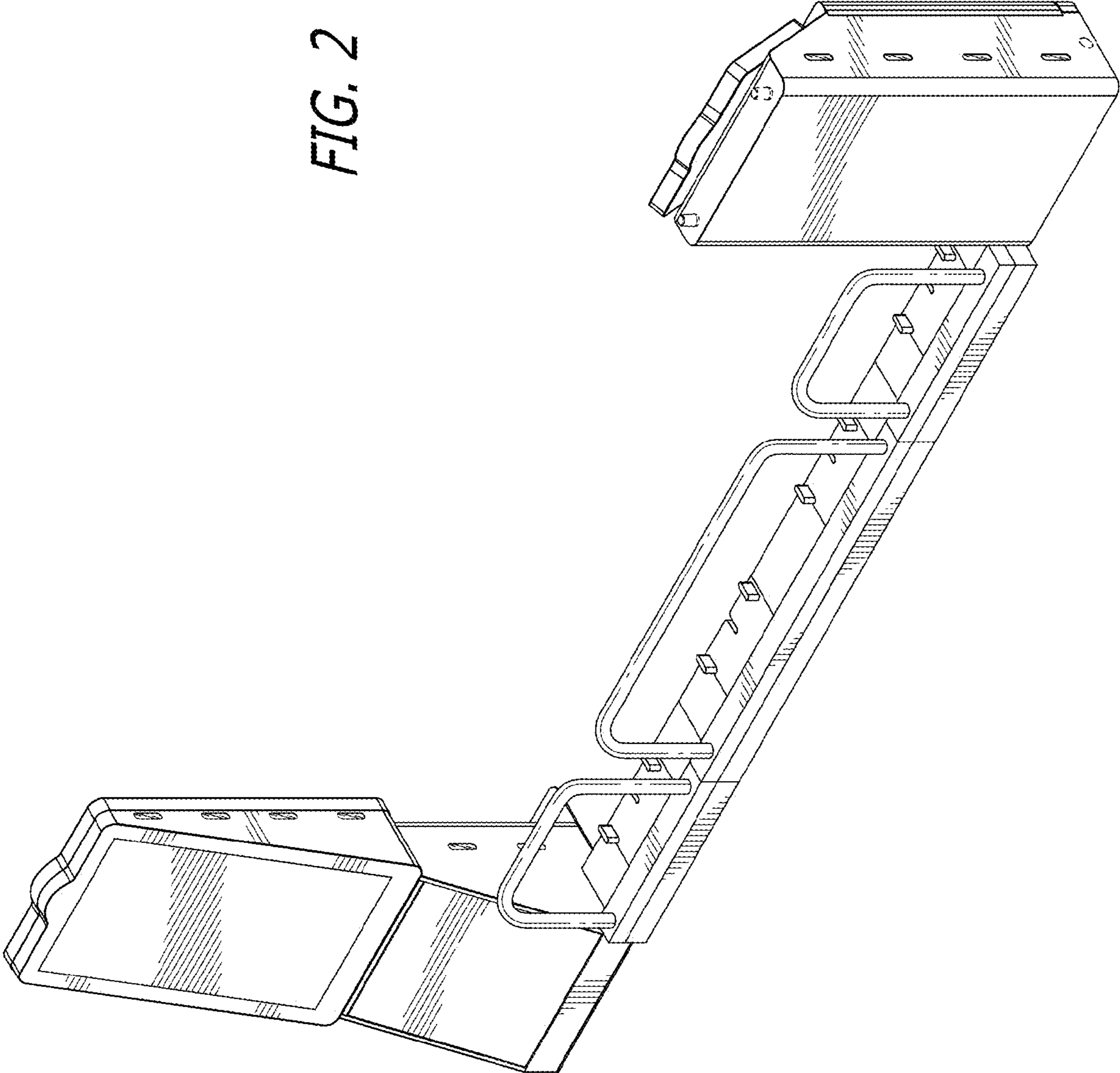


FIG. 1

FIG. 2



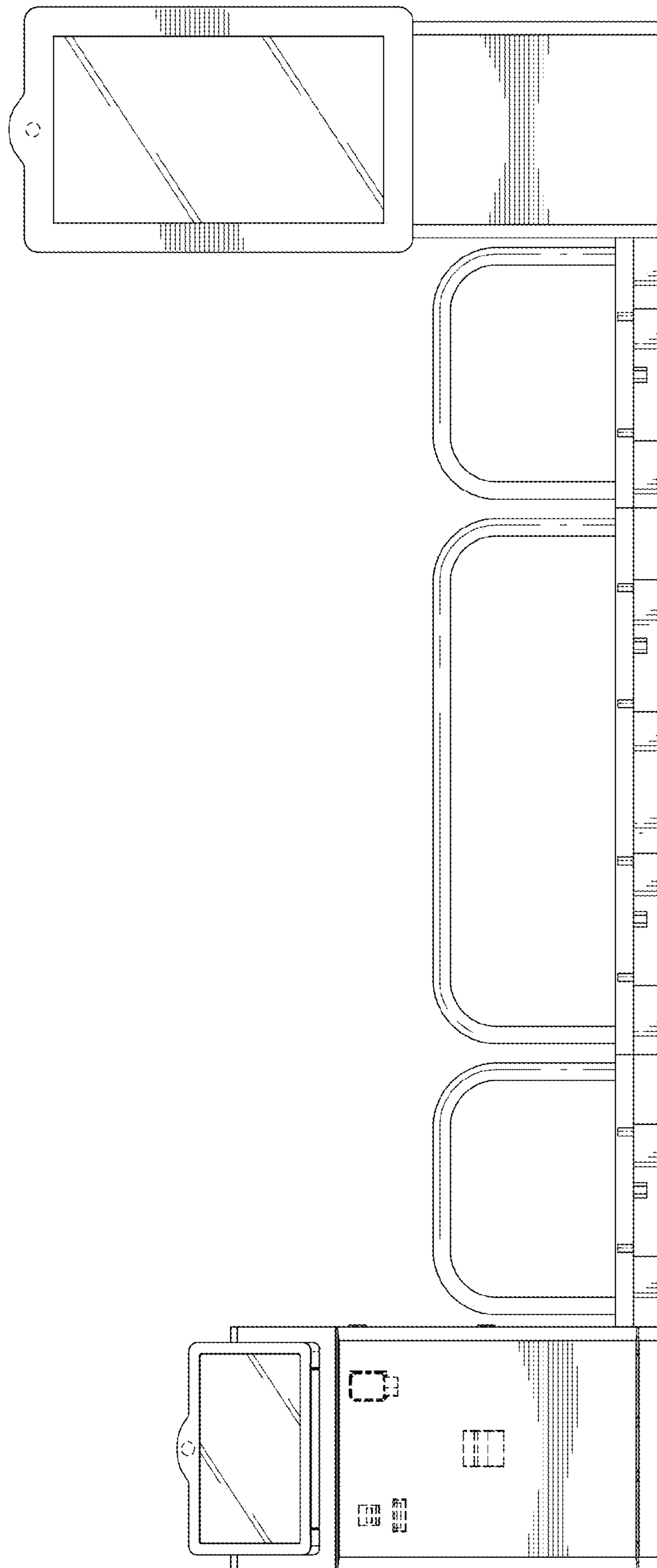


FIG. 3

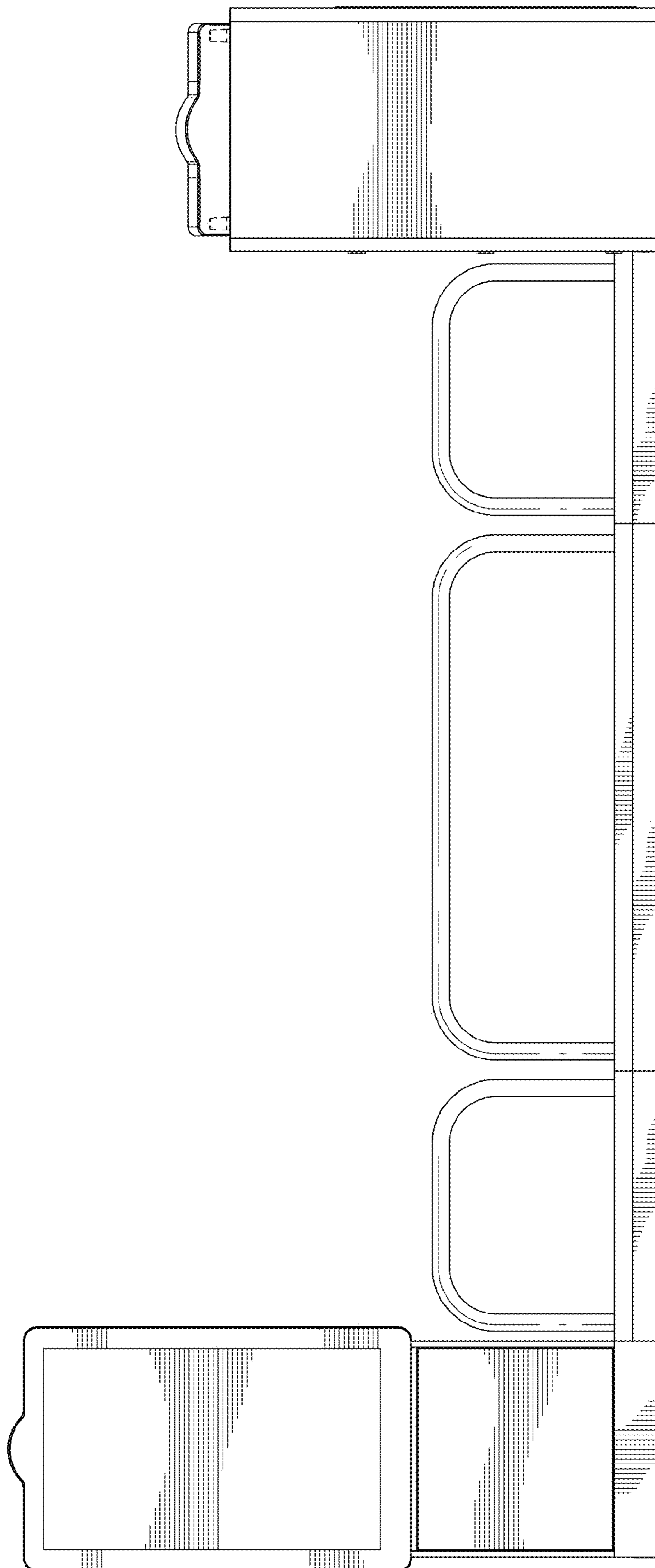


FIG. 4

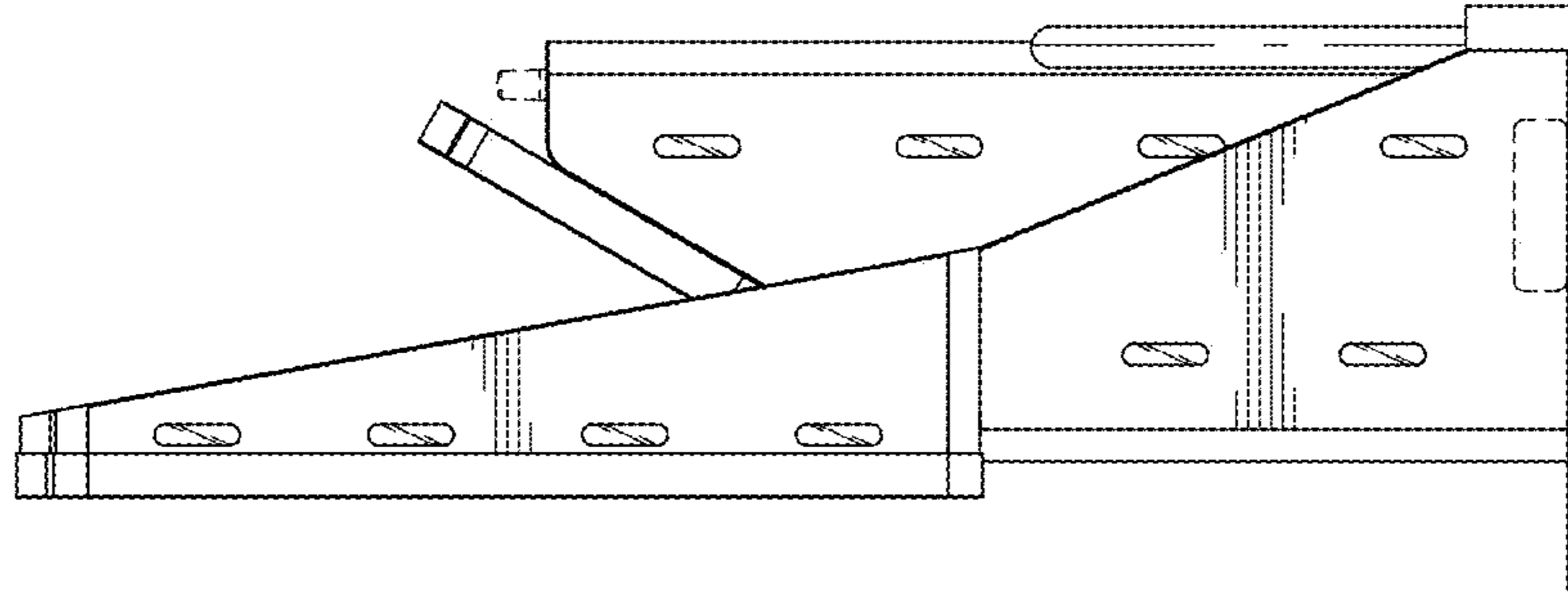


FIG. 6

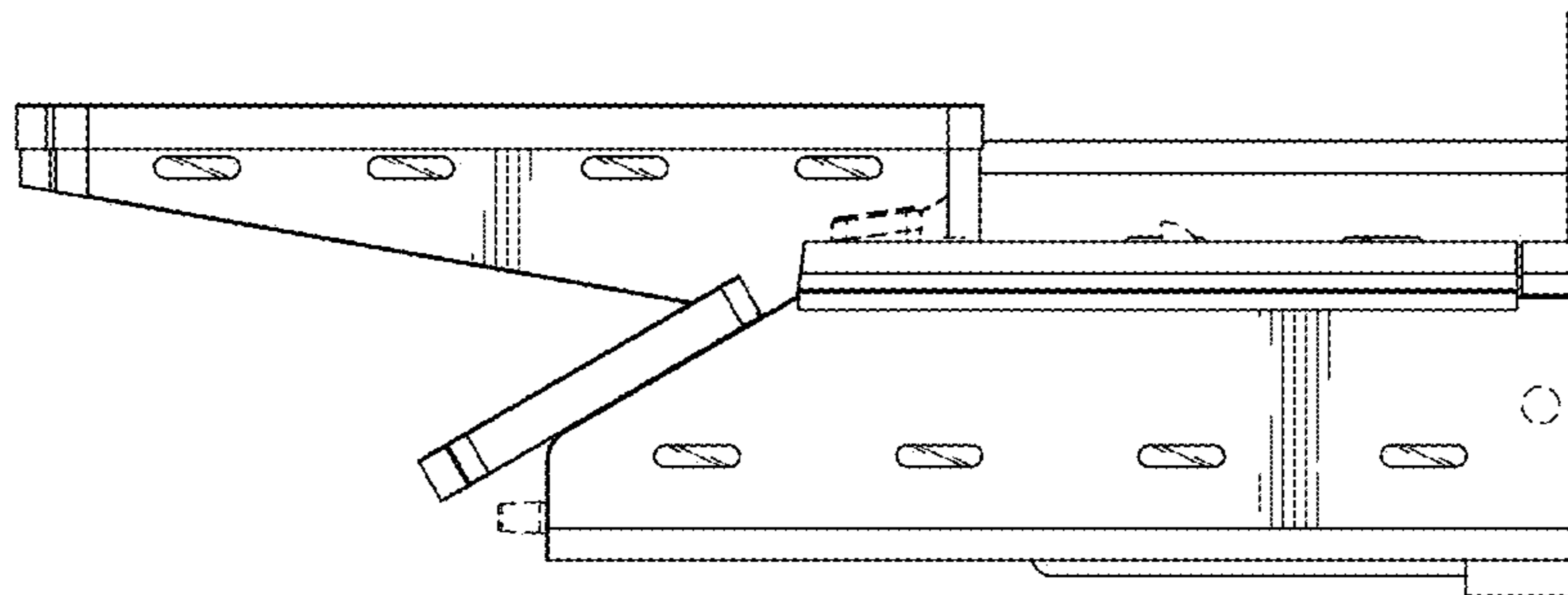


FIG. 5

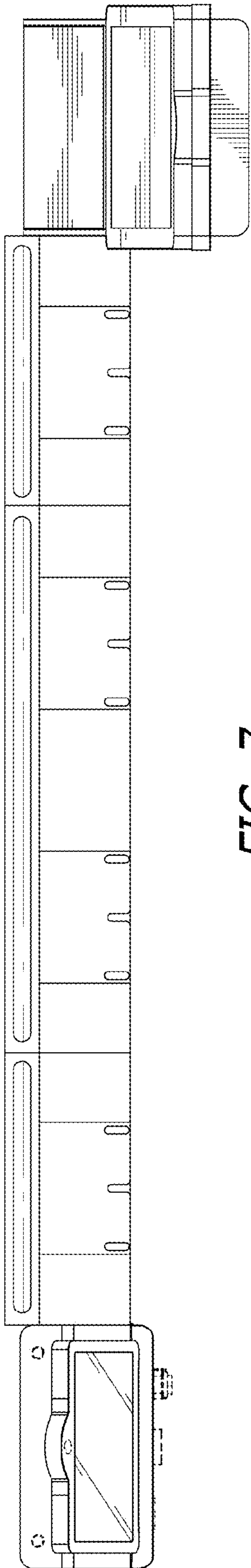


FIG. 7

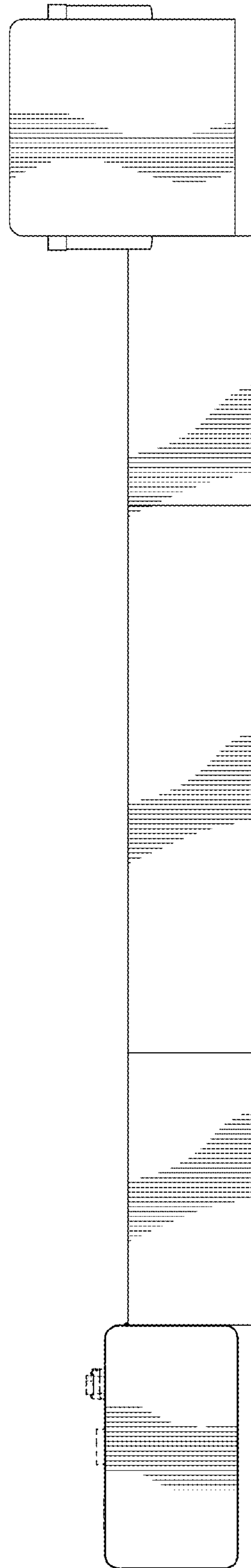


FIG. 8