

US00D891418S

(12) **United States Design Patent** (10) **Patent No.:** **US D891,418 S**
Kim (45) **Date of Patent:** **** Jul. 28, 2020**

(54) **CASE FOR ELECTRONIC COMMUNICATIONS DEVICE**

(71) Applicant: **SPIGEN KOREA CO., LTD.**, Seoul (KR)

(72) Inventor: **Ji Hyun Kim**, Seoul (KR)

(73) Assignee: **SPIGEN KOREA CO., LTD.**, Seoul (KR)

(*) Notice: This patent is subject to a terminal disclaimer.

(**) Term: **15 Years**

(21) Appl. No.: **29/656,804**

(22) Filed: **Jul. 16, 2018**

(51) **LOC (12) Cl.** **14-03**

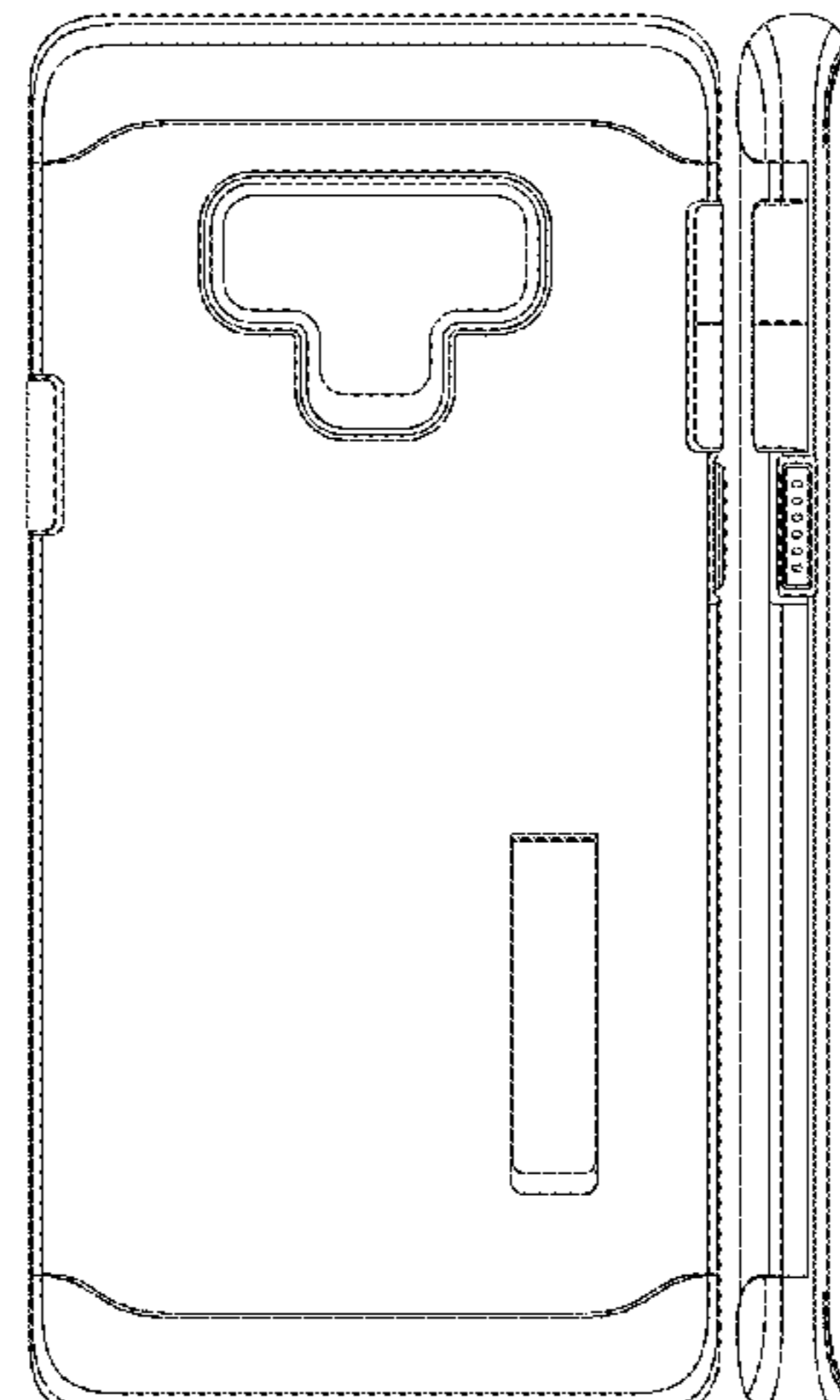
(52) **U.S. Cl.**
USPC **D14/250**

(58) **Field of Classification Search**
USPC D14/439, 203.3-203.7, 447, 238.1, D14/251-253, 217, 240, 250, 440, 248; D3/201, 218, 247, 269, 273, 301, 303; D13/107-108, 103, 119
CPC H04B 1/3888; H04M 1/0283; H04M 1/0202; A45C 1/06; A45C 11/00; A45C 13/02; A45C 2011/002; A45F 2005/026; A45F 2200/0525; A45F 2200/0516
See application file for complete search history.

D713,834 S * 9/2014 Almstrom D14/250
D718,757 S 12/2014 Jaffee
D718,758 S 12/2014 Jaffee
D721,360 S 1/2015 Laffon de Mazieres
D721,694 S 1/2015 Lee et al.
D732,012 S * 6/2015 Tsai D14/250
D739,394 S 9/2015 Rayner et al.
D746,273 S 12/2015 Herbst
D746,275 S 12/2015 Mohammad
D749,535 S 2/2016 Joung
D753,099 S 4/2016 Kim
D756,339 S * 5/2016 Tussy D14/250
D763,841 S 8/2016 Kim
D765,628 S 9/2016 Watt et al.
D765,634 S 9/2016 McCray et al.
D765,638 S 9/2016 Gaylord et al.
D765,640 S 9/2016 Bulkley et al.
D765,645 S 9/2016 Kim
D771,608 S 11/2016 Kim
D772,209 S 11/2016 Kim
D776,104 S 1/2017 Tien
D776,649 S 1/2017 Kim
D777,155 S 1/2017 Kim
D777,156 S 1/2017 Kim
D777,160 S 1/2017 Kim
D777,716 S 1/2017 Kim
D778,897 S 2/2017 Kim
D778,898 S 2/2017 Kim
D780,164 S 2/2017 Lee
D780,166 S 2/2017 Lin
D780,167 S 2/2017 Tien
D786,851 S 5/2017 Kim
D786,852 S 5/2017 Kim
D786,854 S 5/2017 Kim
D787,491 S 5/2017 Kim
D787,492 S 5/2017 Kim
D788,090 S 5/2017 Kim
D789,344 S 6/2017 Kim
9,675,150 B2 * 6/2017 Kim A45C 11/182
9,677,702 B2 * 6/2017 Kim F16M 11/00
D791,755 S 7/2017 Kim
D792,394 S 7/2017 Lee et al.
D797,094 S * 9/2017 Kim D14/250
D798,284 S * 9/2017 Kim D14/250
D800,713 S * 10/2017 Kim D14/250
D803,206 S * 11/2017 Kim D14/250
D806,063 S * 12/2017 Kim D14/250
D813,854 S 3/2018 Lee et al.
D818,463 S * 5/2018 Kim D14/250
D823,293 S 7/2018 Kim et al.
D823,296 S 7/2018 Kim et al.
D823,297 S 7/2018 Kim et al.
D823,298 S 7/2018 Kim et al.

(56) **References Cited**
U.S. PATENT DOCUMENTS

D619,361 S 7/2010 Andre
D637,589 S 5/2011 Willes et al.
D646,265 S 10/2011 Fathollahi
D650,371 S 12/2011 Wibby
D655,281 S 3/2012 Turocy
D673,547 S 1/2013 Melanson et al.
D681,615 S 5/2013 Fathollahi
D703,646 S 4/2014 Fathollahi
D706,254 S 6/2014 Chang



D828,346	S *	9/2018	Kim	D14/250
D836,623	S *	12/2018	Hyun	D14/250
D837,197	S *	1/2019	Kim	D14/250
2011/0050606	A1	3/2011	Zhang		
2014/0085777	A1 *	3/2014	Yeh	H04M 1/0202 361/679.01
2014/0357330	A1 *	12/2014	Lin	H04M 1/0283 455/575.8
2015/0053583	A1 *	2/2015	McCormick	A45C 11/00 206/521
2015/0133204	A1 *	5/2015	Ivanovski	H04B 1/3816 455/575.8
2015/0335116	A1	11/2015	Kim		
2016/0101902	A1	4/2016	Kim		
2016/0204817	A1	7/2016	Kim		
2016/0249472	A1 *	8/2016	Tu	A45C 11/00
2016/0269516	A1	9/2016	Kim		
2016/0285301	A1	9/2016	Kim		
2016/0308571	A1 *	10/2016	Chiang	H04B 1/3888
2016/0374443	A1	12/2016	Kim		
2017/0033824	A1 *	2/2017	Tien	H04B 1/3888
2017/0150792	A1	6/2017	Kim		
2017/0155418	A1 *	6/2017	Kim	H04B 1/3888
2017/0230072	A1 *	8/2017	Kim	H04B 1/3888
2018/0041237	A1 *	2/2018	Mody	H04B 1/3877

OTHER PUBLICATIONS

Spigen Slim Armor Case for Samsung Galaxy S8 Plus, earliest customer review on May 30, 2017, URL<<https://www.mobilefun.com/spigen-slim-armor-samsung-galaxy-s8-plus-tough-case-blue-63033#p1>>, retrieved from internet on Feb. 11, 2019.*

“Spigen Tough Armor Galaxy Note 4 Case with Extreme Heavy Duty Protection and Air Cushion Technology for Samsung Galaxy Note 4 2014—Gunmetal” <https://www.amazon.com/dp/B00MAWQU14>, earliest review date of Oct. 9, 2014.

“Spigen Tough Armor Galaxy S5 Case with Extreme Heavy Duty Protection and Air Cushion Technology for Samsung Galaxy S5 2014—Gunmetal”, <https://www.amazon.com/dp/B00I3UWDV8>, earliest review date of Mar. 9, 2014.

“Spigen Tough Armor Galaxy S6 Case with Reinforced Kickstand and Heavy Duty Protection and Air Cushion Technology for Samsung Galaxy S6 (2015)—Gunmetal”, <https://www.amazon.com/dp/B00QU4PUKK>, earliest review date of Mar. 23, 2015.

“Spigen Tough Armor Galaxy S6 Edge Case with Reinforced Kickstand and Heavy Duty Protection and Air Cushion Technology for Samsung Galaxy S6 Edge (2015)—Gunmetal”, <https://www.amazon.com/dp/B00SV63L38>, earliest review date of Mar. 12, 2015.

“Spigen Tough Armor Galaxy S7 Case with Extreme Heavy Duty Protection and Air Cushion Technology for Samsung Galaxy S7 2016—Gunmetal”, <https://www.amazon.com/dp/B01A7ID3PS>, earliest review date of Feb. 25, 2016.

“Spigen Tough Armor Galaxy S7 Edge Case with Kickstand and Extreme Heavy Duty Protection and Air Cushion Technology for Samsung Galaxy S7 Edge 2016—Gunmetal”, <https://www.amazon.com/dp/B01A7IDNWQ>, earliest review date of Feb. 24, 2016.

“Spigen Tough Armor Galaxy S8 Case with Kickstand and Extreme Heavy Duty Protection and Air Cushion Technology for Samsung Galaxy S8 (2017)—Black”, <https://www.amazon.com/dp/B06XNVPGC2>, earliest review date of Apr. 9, 2017.

“Spigen Tough Armor Galaxy S8 Plus Case with Reinforced Kickstand and Heavy Duty Protection and Air Cushion Technology for Samsung Galaxy S8 Plus (2017)—Black”, <https://www.amazon.com/dp/B06XP4FP8N>, earliest review date of Apr. 8, 2017.

“Spigen Tough Armor LG G5 Case with Reinforced Kickstand and Heavy Duty Protection and Air Cushion Technology for LG G5 (2016)—Gunmetal”, <https://www.amazon.com/dp/B01B1GQL6L>, earliest review date of Mar. 11, 2016.

“Spigen Tough Armor LG G6 Case with Extreme Heavy Duty Protection and Air Cushion Technology for LG G6 (2017)—Black”, <https://www.amazon.com/dp/B01MR8C4RY>, earliest review date of Mar. 26, 2017.

“Spigen Tough Armor LG V20 Case with Kickstand and Extreme Heavy Duty Protection and Air Cushion Technology for LG V20—Gunmetal”, <https://www.amazon.com/dp/B01M9FI54B>, earliest review date of Feb. 2, 2016.

“Spigen Slim Armor Galaxy S8 Case with Air Cushion Technology and Hybrid Drop Protection for Samsung Galaxy S8 (2017)—Black”, <https://www.amazon.com/dp/B01LP5XLOK>, earliest review date of Apr. 22, 2017.

“Spigen Slim Armor Galaxy Note 5 Case with Air Cushion Technology and Hybrid Drop Protection for Galaxy Note 5 2015—Metal Slate”, <https://www.amazon.com/dp/B010MWHIKA>, earliest review date of Aug. 21, 2015.

“Spigen Slim Armor Galaxy S8 Plus Case with Air Cushion Technology and Hybrid Drop Protection for Galaxy S8 Plus (2017)—Orchid Gray”, <https://www.amazon.com/dp/B0716CZ3Z1>, earliest review date of Apr. 8, 2017.

“Spigen Slim Armor Galaxy Note 4 Case with Air Cushion Technology and Hybrid Drop Protection for Samsung Galaxy Note 4 2014—Shimmery White”, <https://www.amazon.com/dp/B00MAWQPJQ>, earliest review date of Oct. 7, 2014.

* cited by examiner

Primary Examiner — Carla J Wright

(74) Attorney, Agent, or Firm — Heedong Chae; Lucem, PC

(57)

CLAIM

The ornamental design for a case for electronic communications device, as shown and described.

DESCRIPTION

FIG. 1 is a front perspective view of a case for electronic communications device showing my new design;

FIG. 2 is a rear perspective view thereof;

FIG. 3 is a front elevational view thereof;

FIG. 4 is a rear elevational view thereof;

FIG. 5 is a left side elevational view thereof;

FIG. 6 is a right side elevational view thereof;

FIG. 7 is a top plan view thereof;

FIG. 8 is a bottom plan view thereof;

FIG. 9 is a front perspective view of the inner shell component of the case shown separately for clarity of disclosure;

FIG. 10 is a rear perspective view of the inner shell component of the case shown separately for clarity of disclosure;

FIG. 11 is a front perspective view of the outer frame component of the case shown separately for clarity of disclosure;

FIG. 12 is a rear perspective view of the outer frame component of the case shown separately for clarity of disclosure;

FIG. 13 is an exploded front perspective view showing the components of the case separated for clarity of disclosure;

FIG. 14 is an exploded rear perspective view showing the components of the case separated for clarity of disclosure; and

FIG. 15 is a rear perspective view of the case shown with the support leg in an extended position;

FIG. 16 is a front perspective view of the support leg component of the case shown separately for clarity of disclosure; and,

FIG. 17 is a rear perspective view of the support leg component of the case shown separately for clarity of disclosure.

Although the case for electronic communications device, in which the claimed design is embodied, consists of an inner shell component, an outer frame component, and a support leg component, the claim is directed to the overall ornamental appearance of the case for electronic communications device in its entirety and does not extend to the ornamental appearance of each of the individual components.

The broken lines throughout the drawing figures depict portions of the case that form no part of the claimed design. Except for the interior edges of the camera opening and support leg, the interior of the case shown in FIGS. 1, 3, 9, and 13 forms no part of the claimed design. The broken lines and regions bounded by broken lines form no part of the claimed design.

1 Claim, 17 Drawing Sheets

FIG. 1

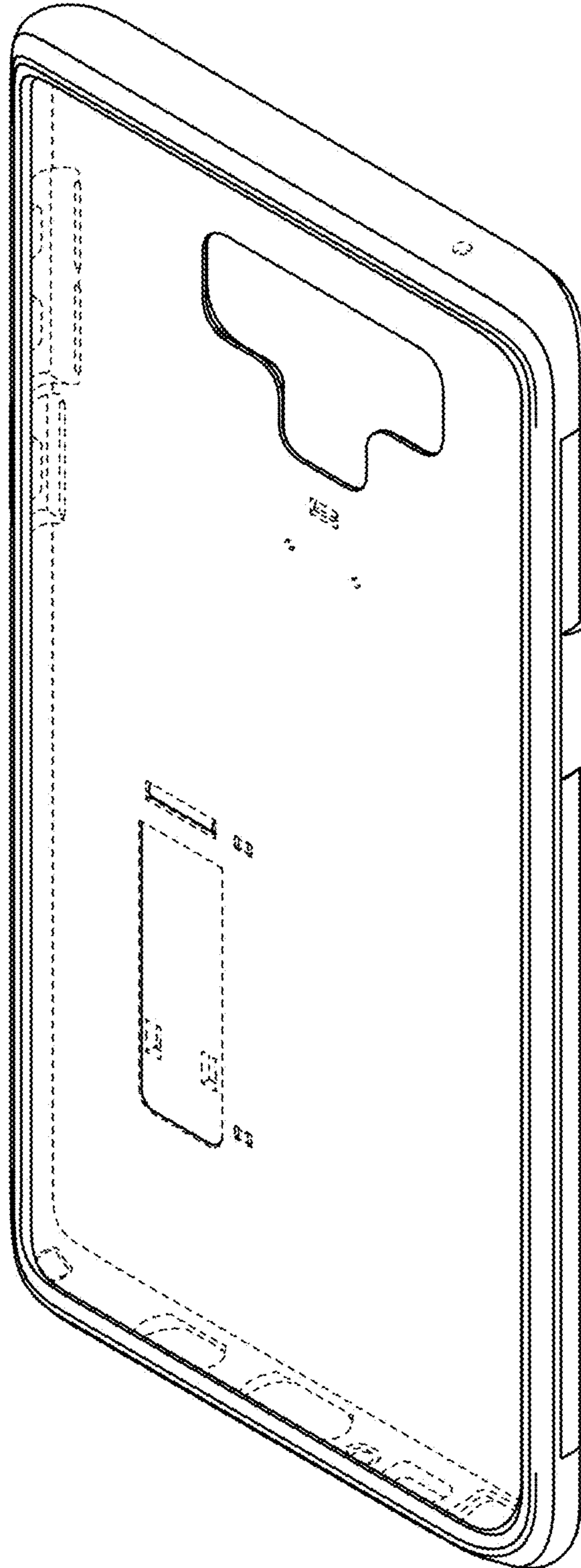


FIG. 2

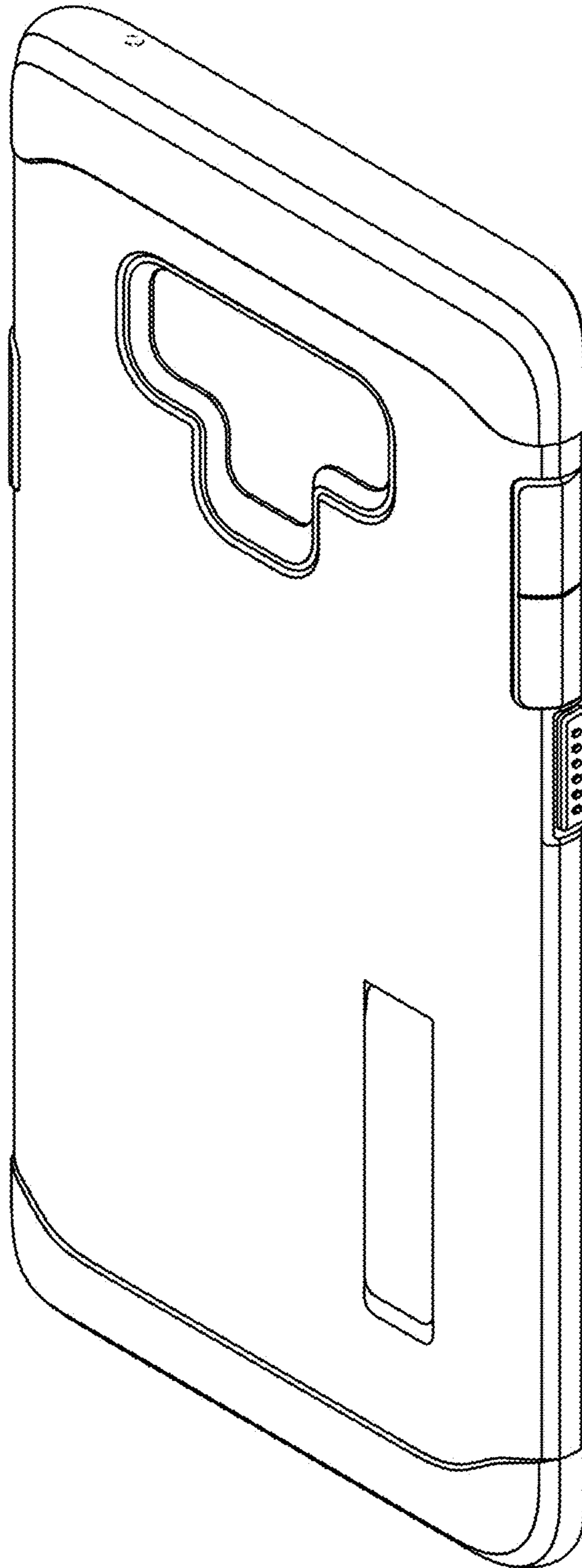


FIG. 3

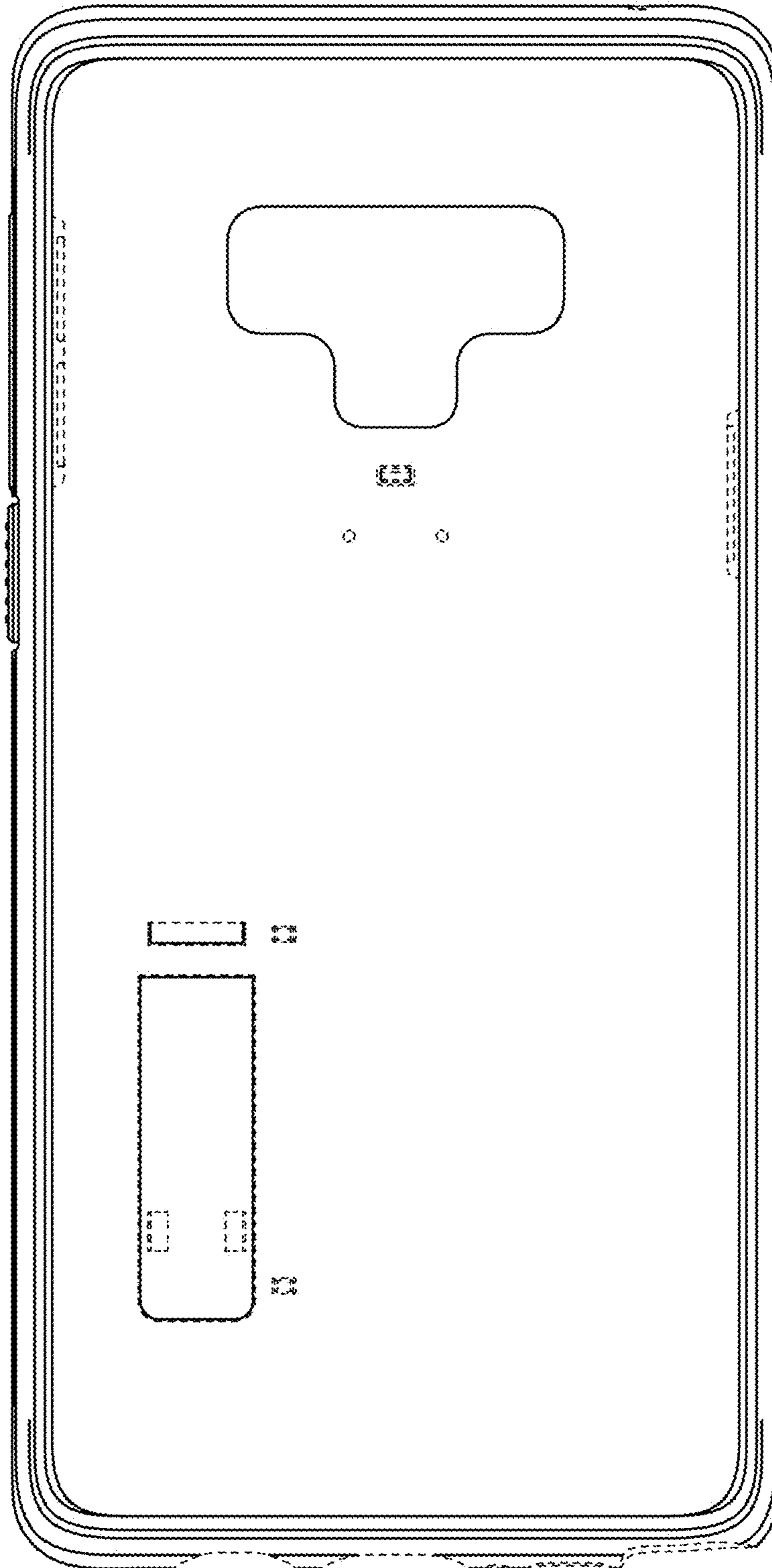


FIG. 4

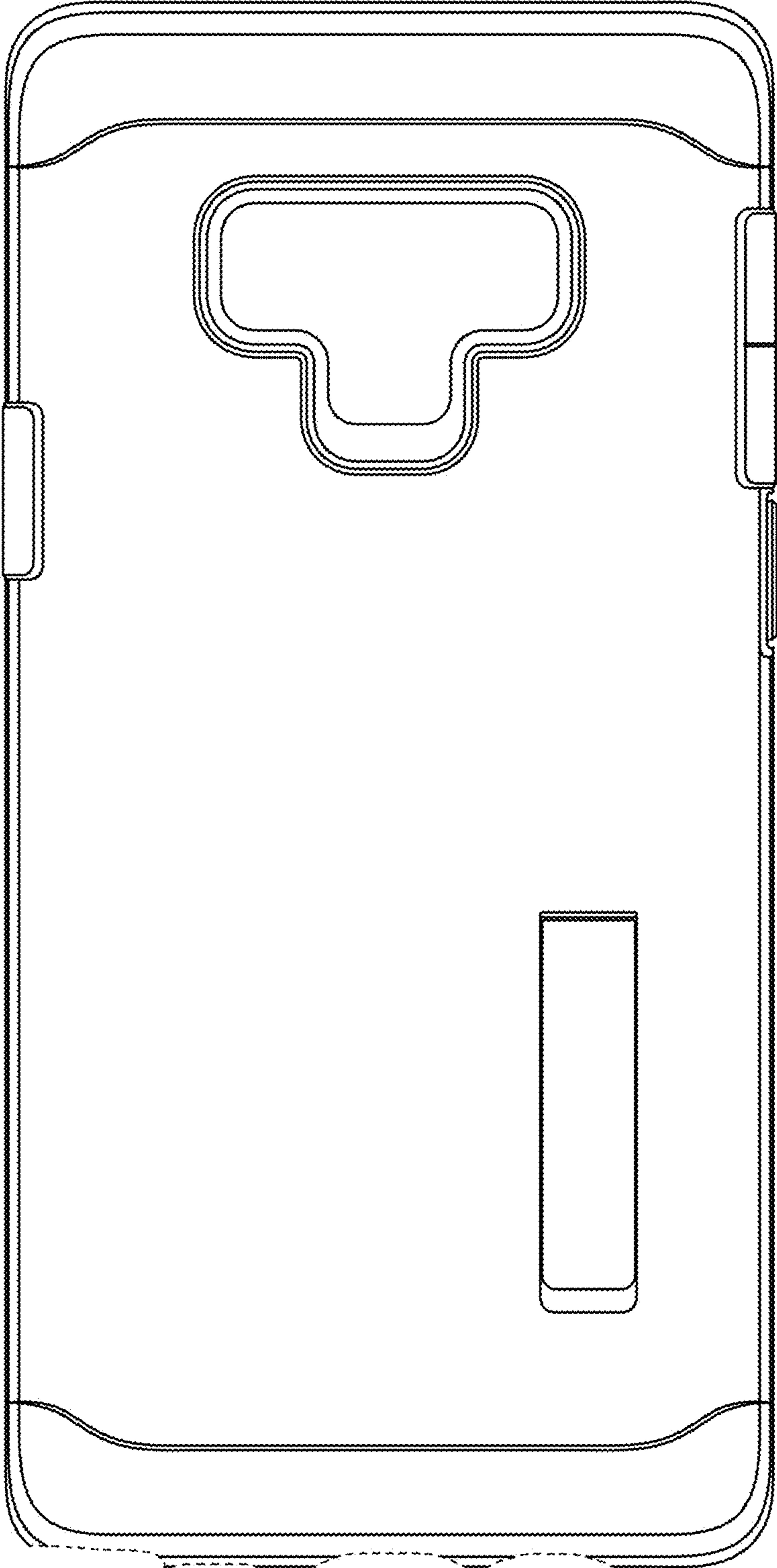


FIG. 5

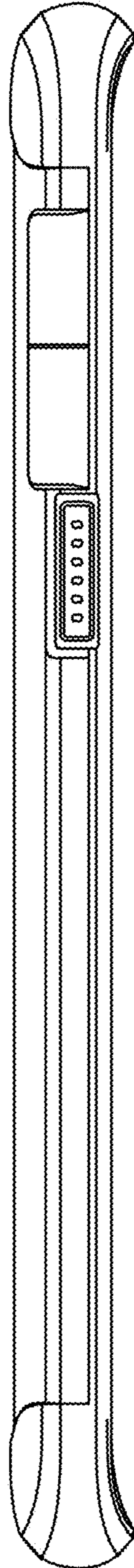


FIG. 6

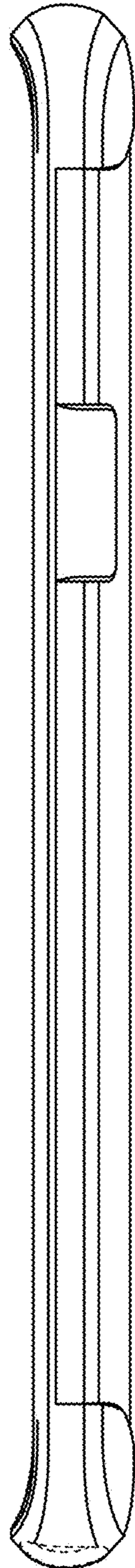


FIG. 7

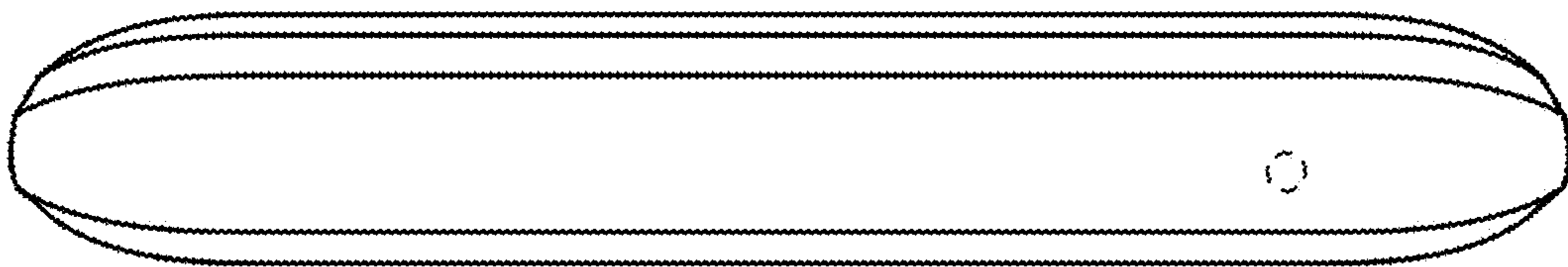


FIG. 8

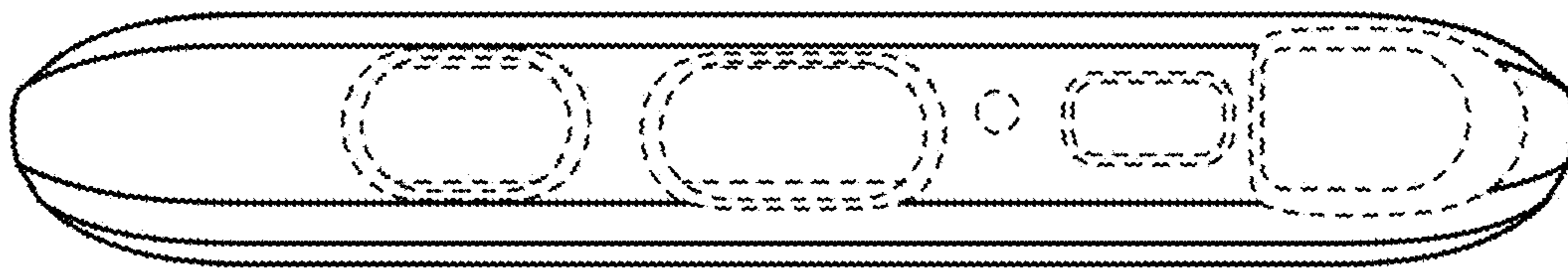


FIG. 9

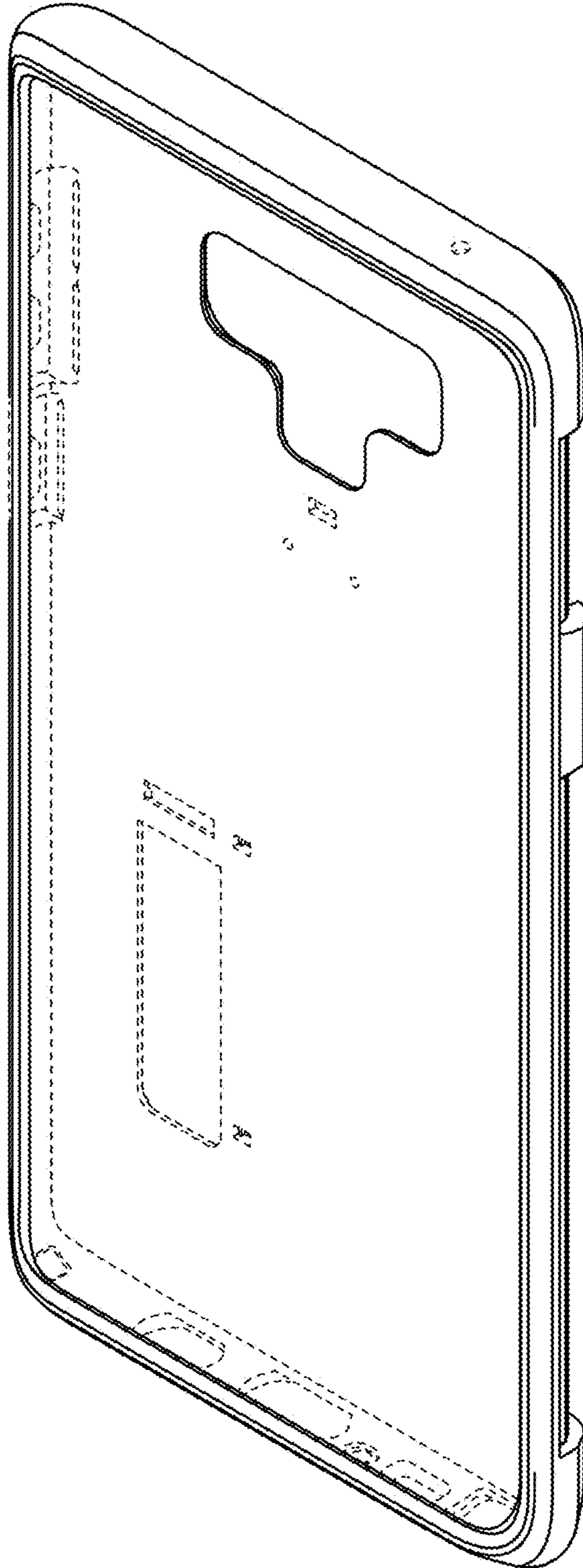


FIG. 10

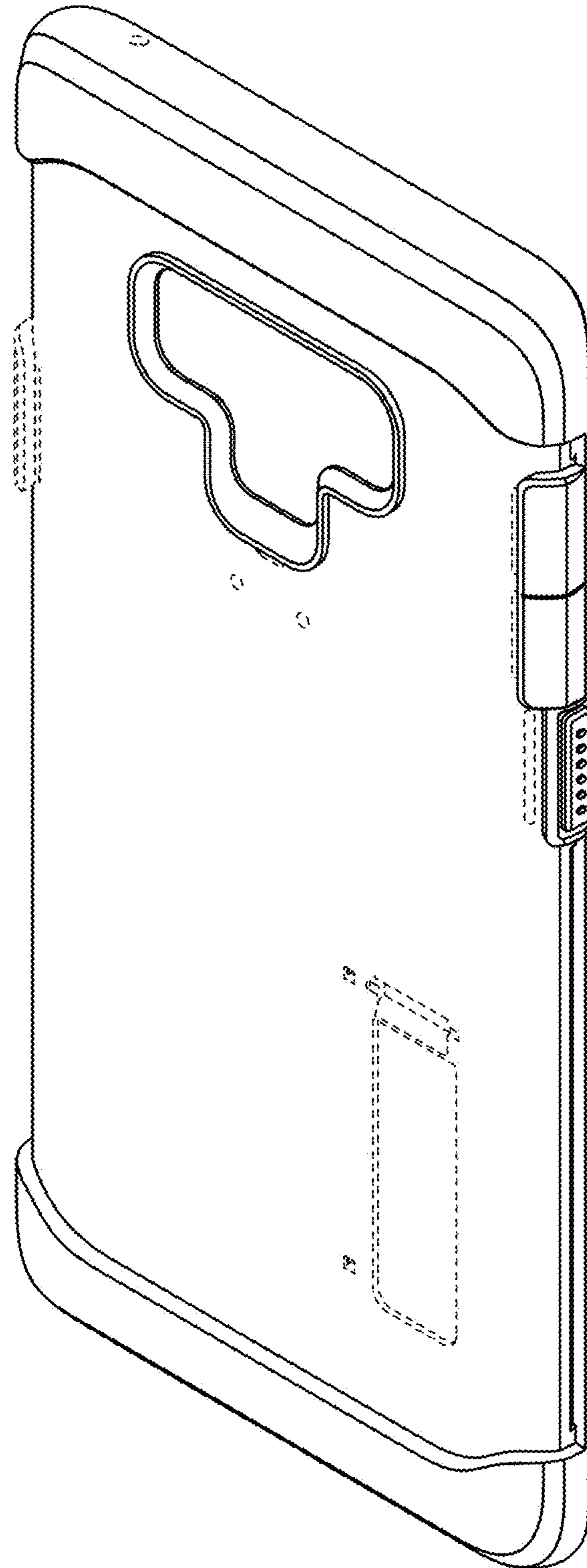


FIG. 11

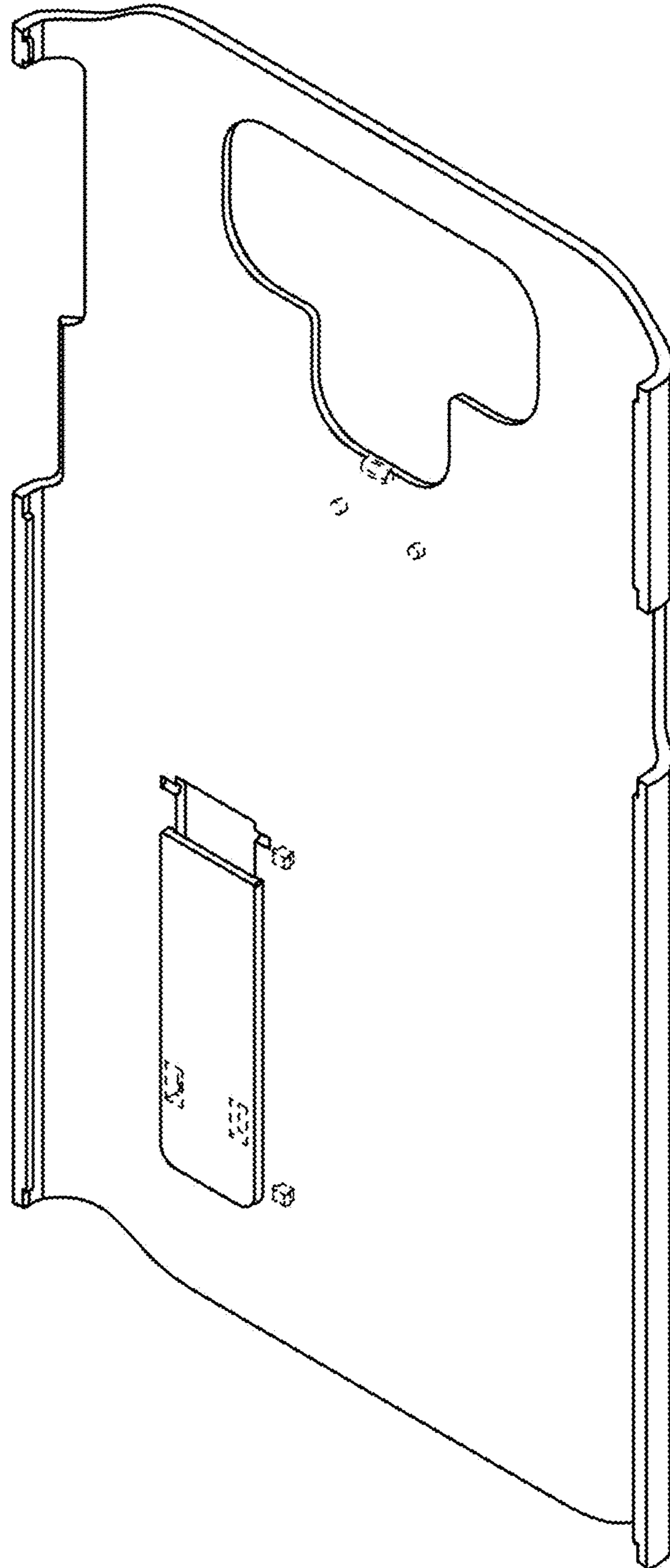


FIG. 12

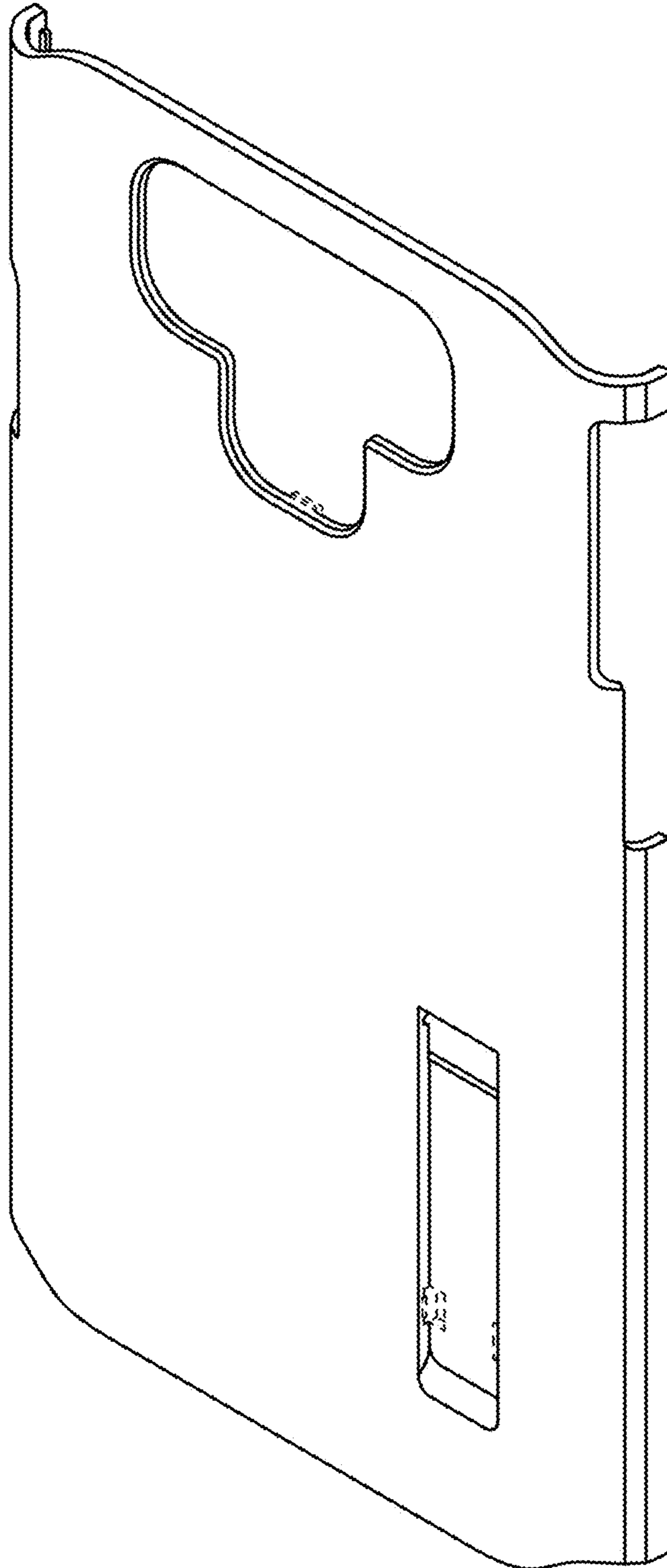


FIG. 13

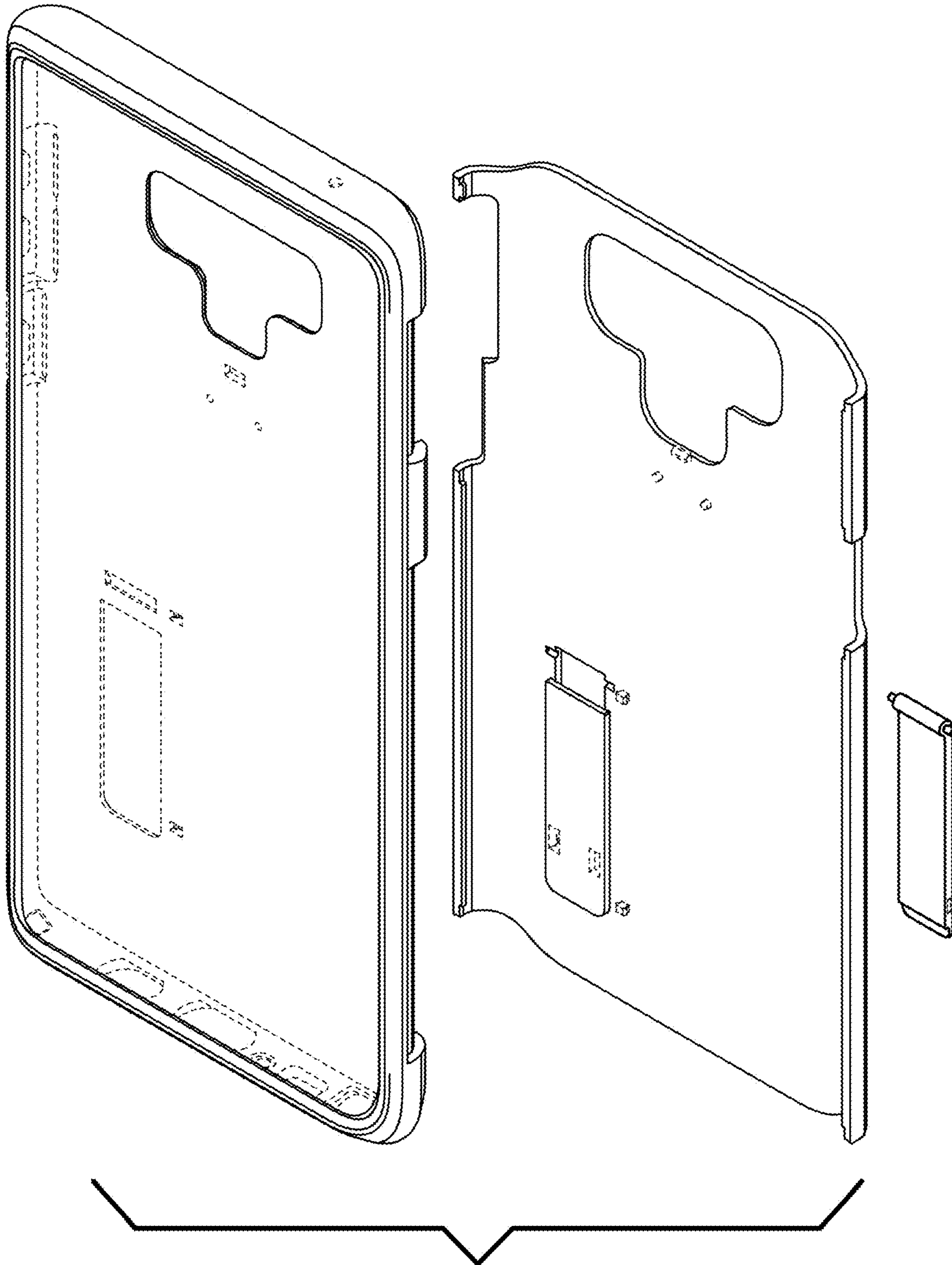


FIG. 14

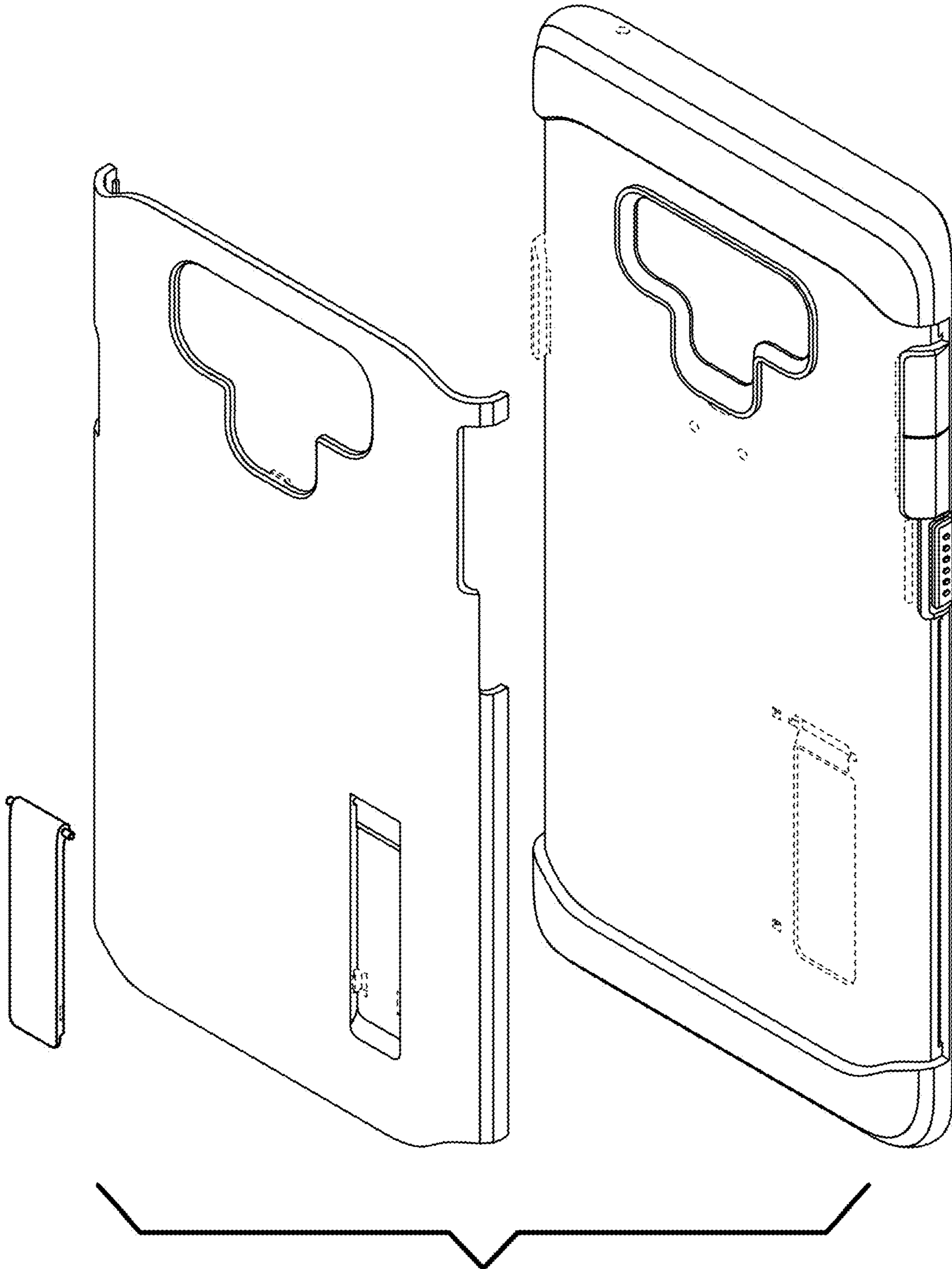


FIG. 15

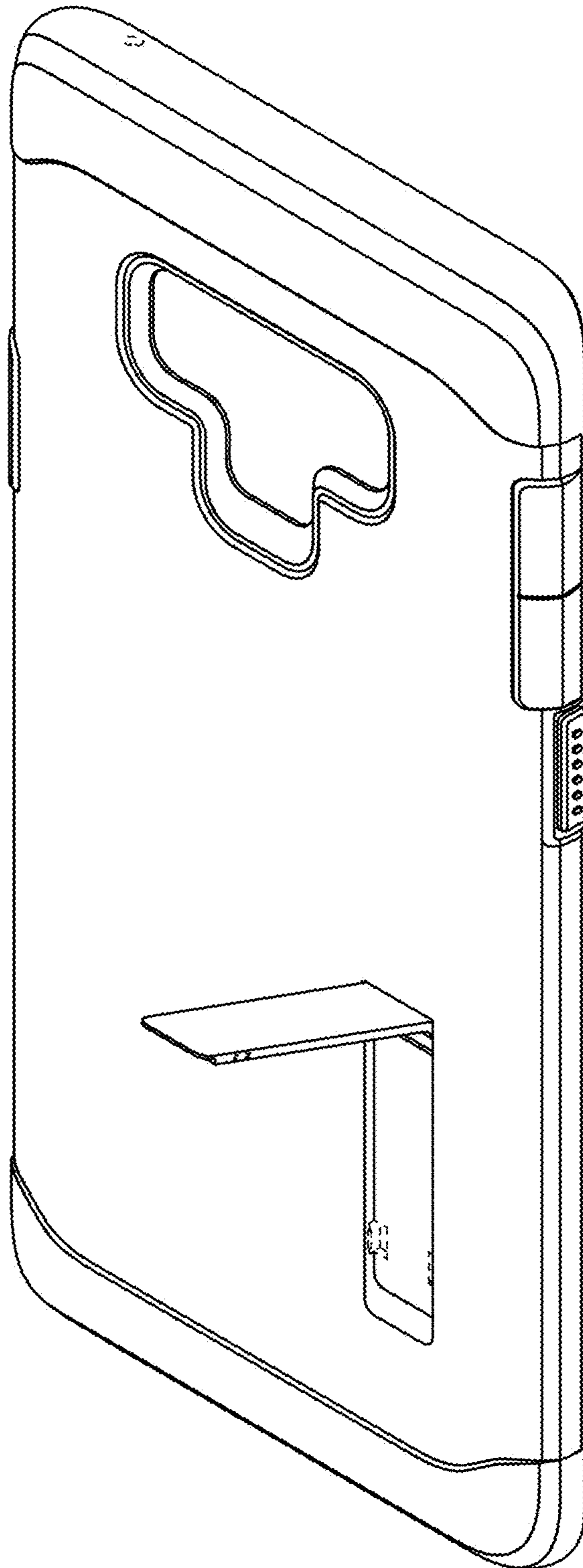


FIG. 16

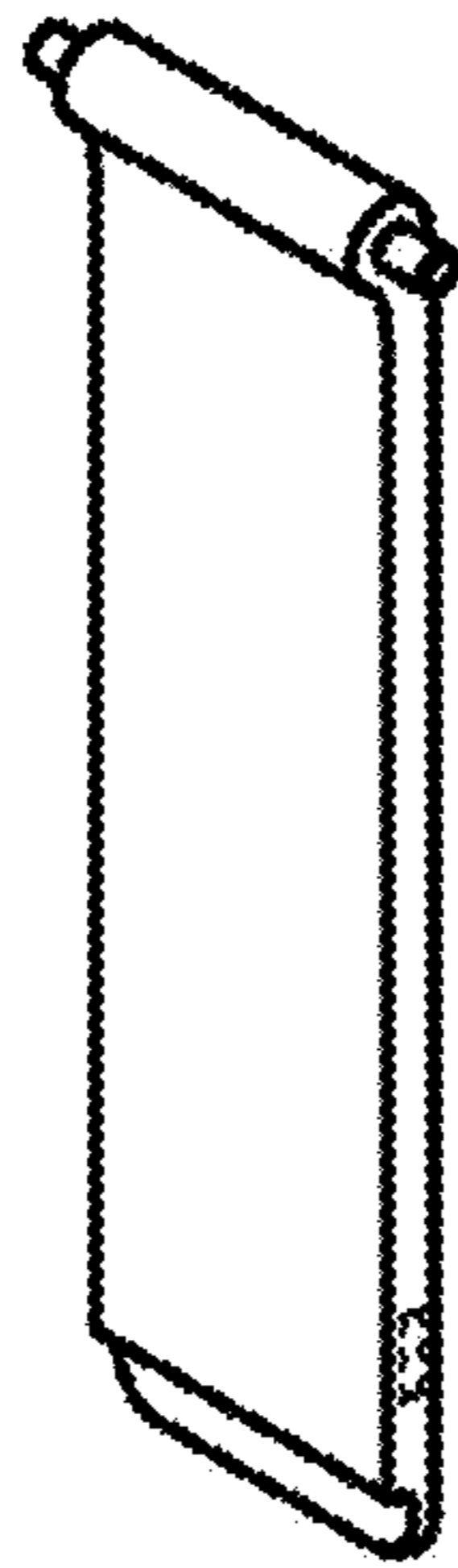


FIG. 17

