



US00D891416S

(12) **United States Design Patent**  
**Yu**

(10) **Patent No.:** **US D891,416 S**

(45) **Date of Patent:** **\*\* Jul. 28, 2020**

(54) **PHONE CASE**

(71) Applicant: **Liangliang Yu, Jiangxi (CN)**

(72) Inventor: **Liangliang Yu, Jiangxi (CN)**

(\*\*) Term: **15 Years**

(21) Appl. No.: **29/640,504**

(22) Filed: **Mar. 15, 2018**

(51) **LOC (12) Cl.** ..... **14-03**

(52) **U.S. Cl.**  
USPC ..... **D14/250; D3/249; D3/218**

(58) **Field of Classification Search**  
USPC ..... D3/201, 212, 218, 226, 227, 247, 249,  
D3/250, 269, 303; D13/103, 107, 108,  
D13/119; D14/137, 138 R, 138 AA,  
D14/138 C, 138 G, 172, 192,  
D14/203.3-203.7, 217, 238.1, 247, 248,  
D14/250-253, 434, 440, 447, 496  
CPC ..... H04B 1/3888; H04M 1/0283;  
H04M 1/0202; A45C 1/06; A45C  
2011/002; A45C 11/00; A45F 2005/028;  
A45F 2200/0525  
See application file for complete search history.

(56) **References Cited**

**U.S. PATENT DOCUMENTS**

D178,032 S *	6/1956	Wilm .....	D11/78.1
D330,115 S *	10/1992	O'Brien .....	D19/27
D414,033 S *	9/1999	Rohm .....	D3/201
D434,938 S *	12/2000	Hillman .....	D3/218
D482,162 S *	11/2003	Bostroem .....	D28/77
D674,592 S *	1/2013	Basmaji .....	D3/218
D727,028 S *	4/2015	Feng .....	D3/218
D729,522 S *	5/2015	Kim .....	D3/218
D738,620 S *	9/2015	Schmole .....	D3/249
D750,888 S *	3/2016	Johnson .....	D3/249
D767,888 S *	10/2016	Kim .....	D3/249

D777,421 S *	1/2017	Grote .....	D14/250
D793,082 S *	8/2017	Zhang .....	D3/249
D794,952 S *	8/2017	Feng .....	D3/247
D806,378 S *	1/2018	Lerenthal .....	D3/201
D810,067 S *	2/2018	Lee .....	D14/250
D816,653 S *	5/2018	Yu .....	D14/250
D822,989 S *	7/2018	Persson .....	D3/249
D827,300 S *	9/2018	Kim .....	D3/250
D827,629 S *	9/2018	Yu .....	D14/250
2015/0014189 A1 *	1/2015	Stein .....	A45C 11/00 206/37

**FOREIGN PATENT DOCUMENTS**

CN 304686431 \* 6/2018

\* cited by examiner

*Primary Examiner* — Susan E Krakower  
*Assistant Examiner* — L. A. Grabenstetter

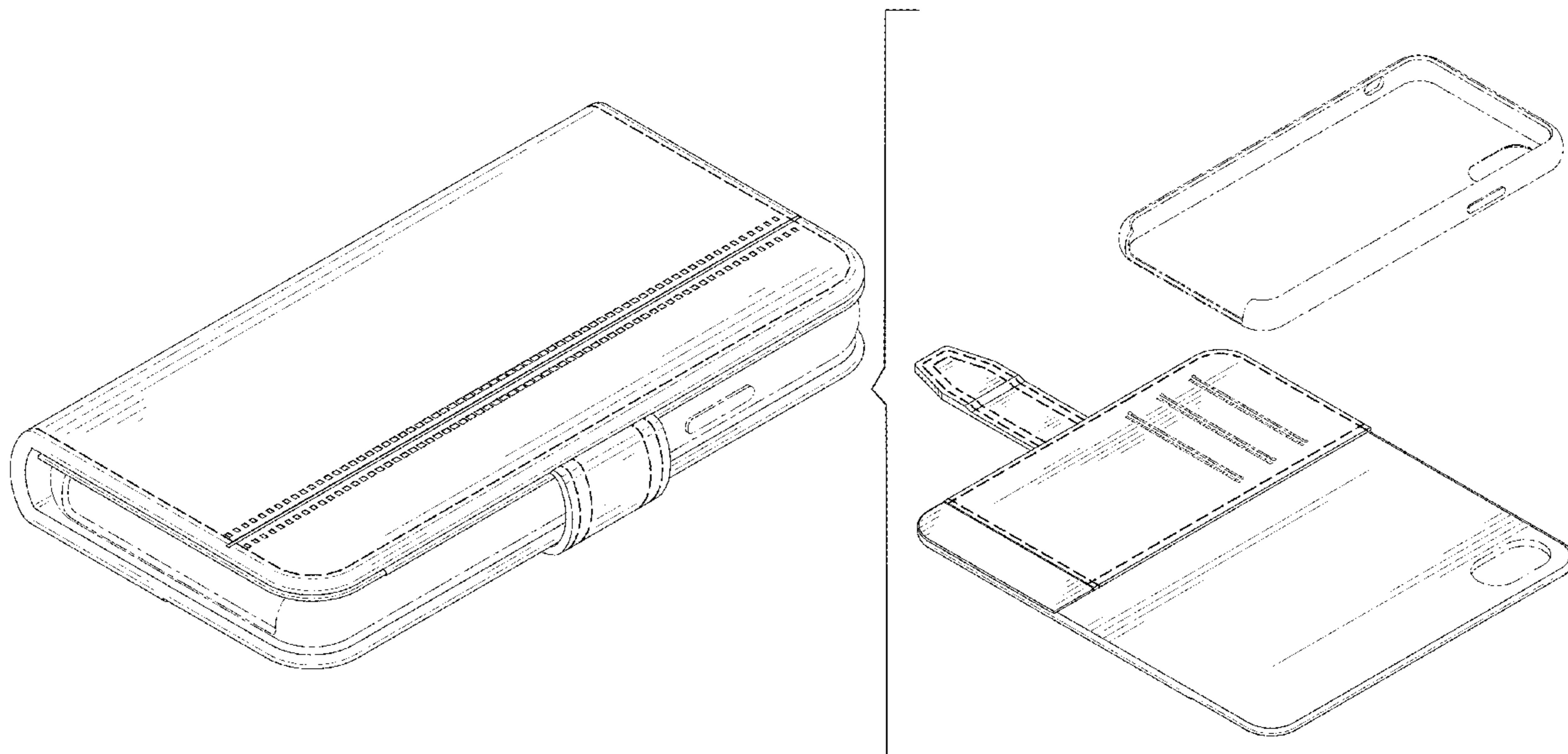
(57) **CLAIM**

The ornamental design for a phone case, as shown and described.

**DESCRIPTION**

FIG. 1 is a perspective view of a phone case showing my new design;  
FIG. 2 is a front elevational view thereof;  
FIG. 3 is a rear elevational view thereof;  
FIG. 4 is a left side view thereof;  
FIG. 5 is a right side view thereof;  
FIG. 6 is a top plan view thereof;  
FIG. 7 is a bottom plan view thereof; and,  
FIG. 8 is an exploded view thereof showing the outer case and the inner case in a separated condition.  
The broken lines shown on the outer case illustrate stitch lines that belong to part of the claimed design.  
The dash-dot-dash lines illustrate portions of the phone case that form no part of the claimed design.

**1 Claim, 8 Drawing Sheets**



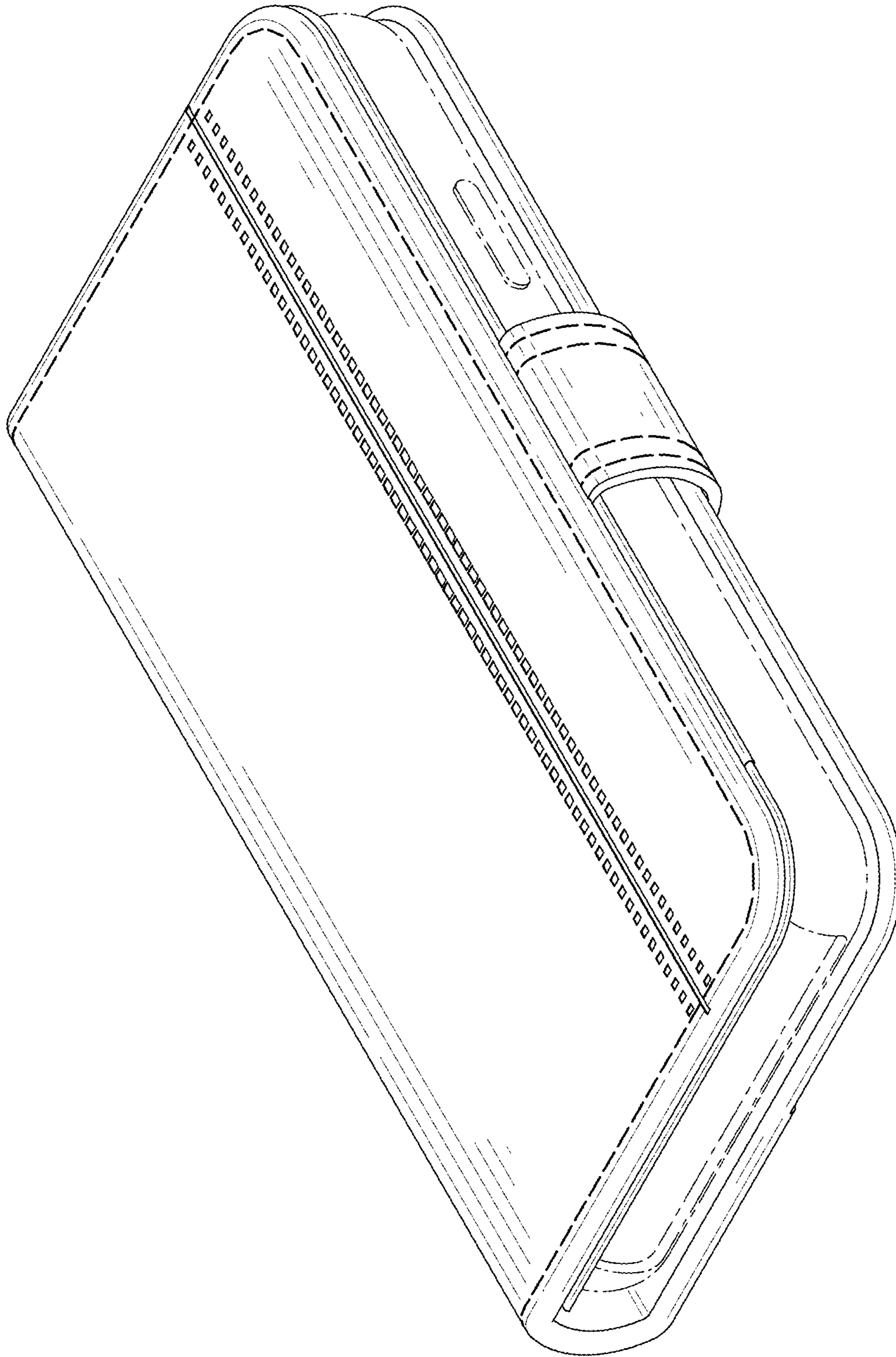


FIG. 1

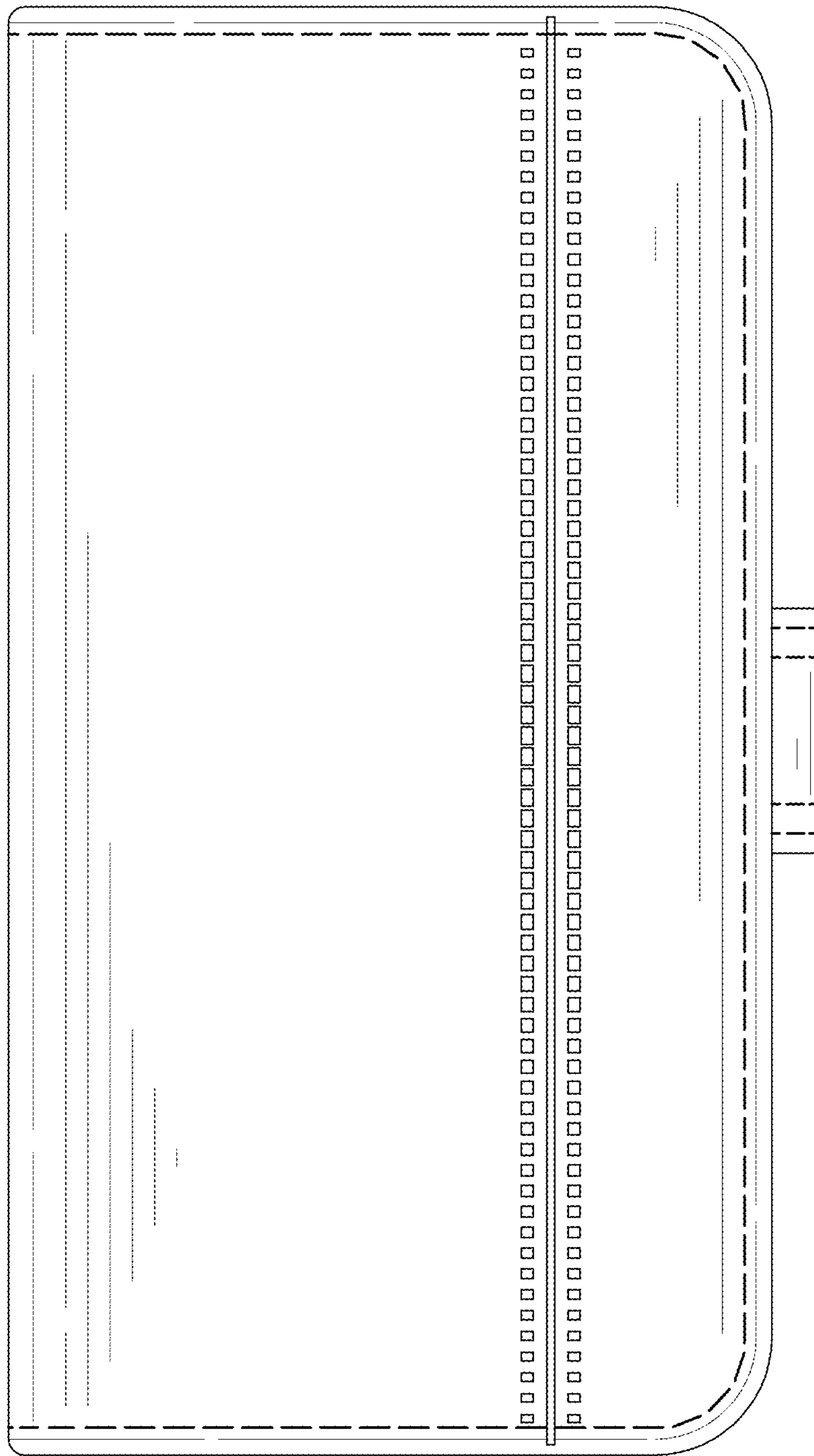


FIG. 2

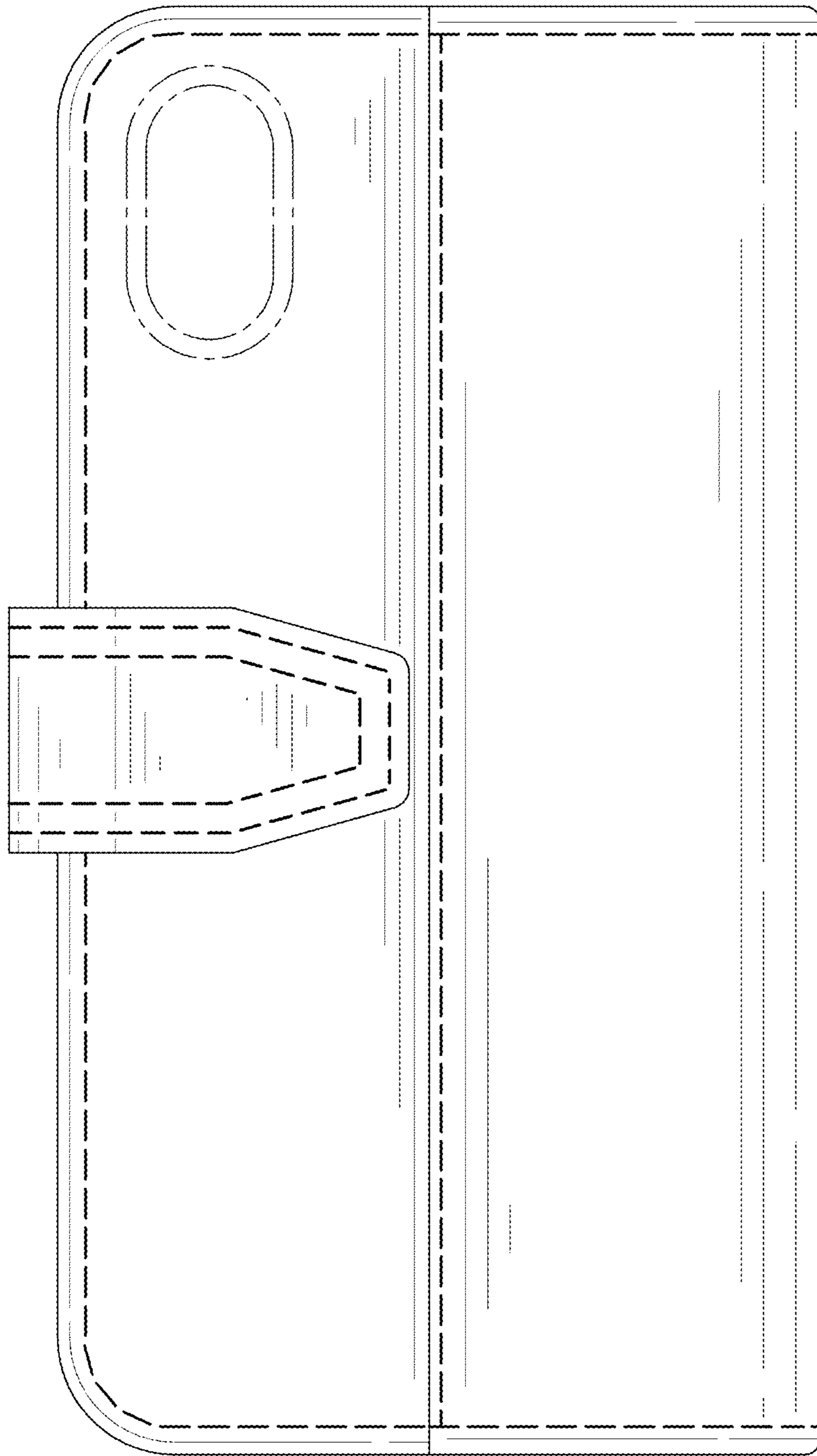


FIG. 3

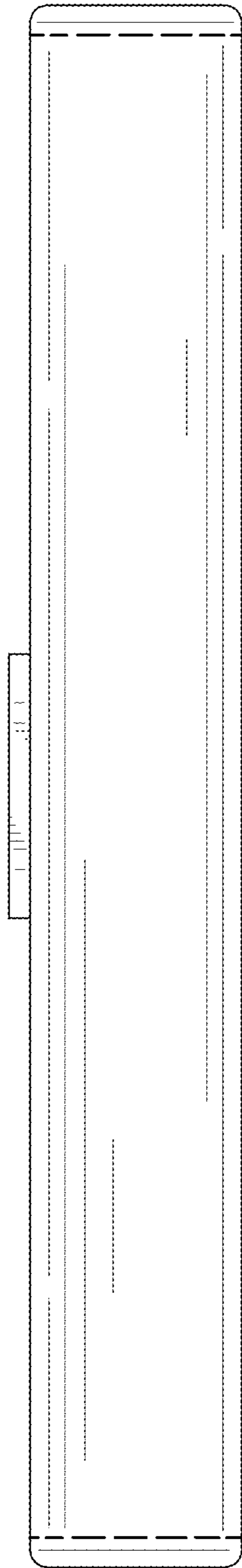


FIG. 4

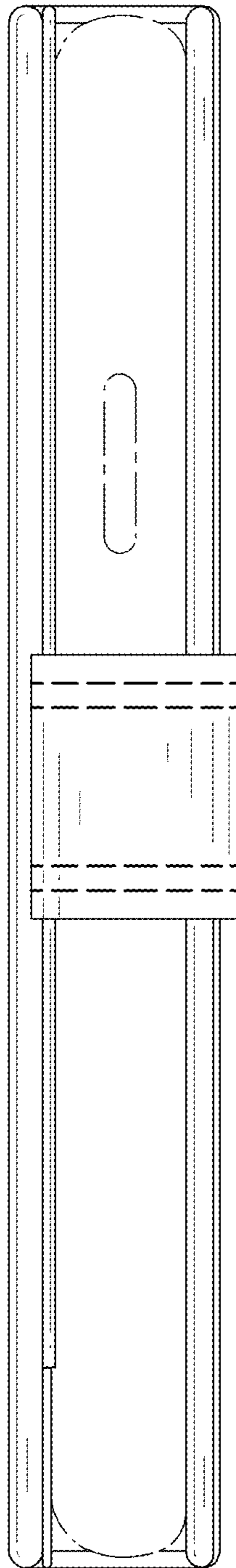


FIG. 5

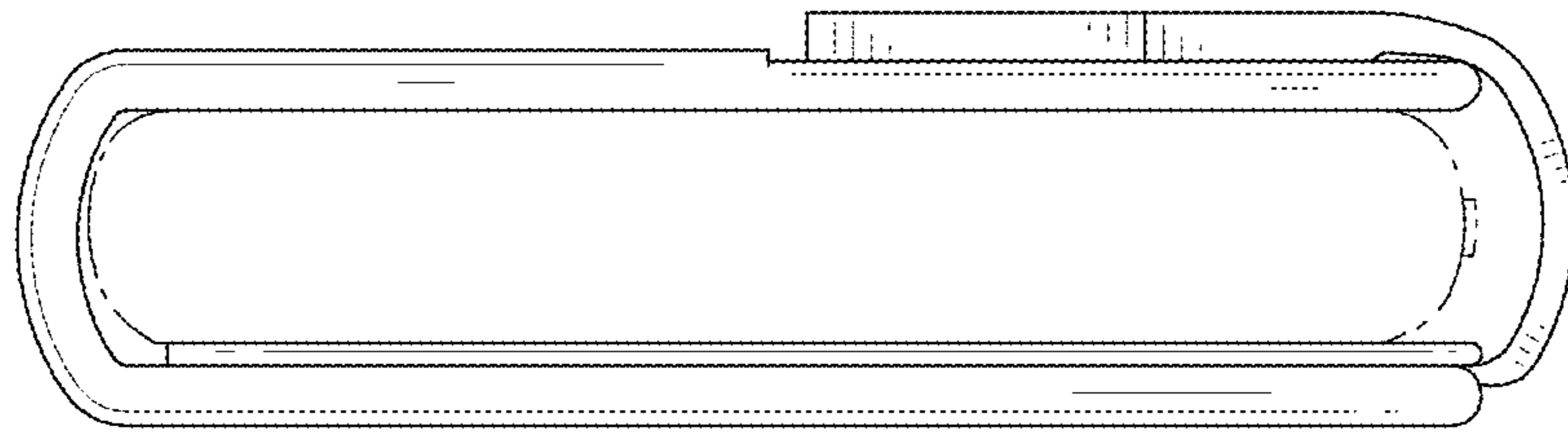


FIG. 6

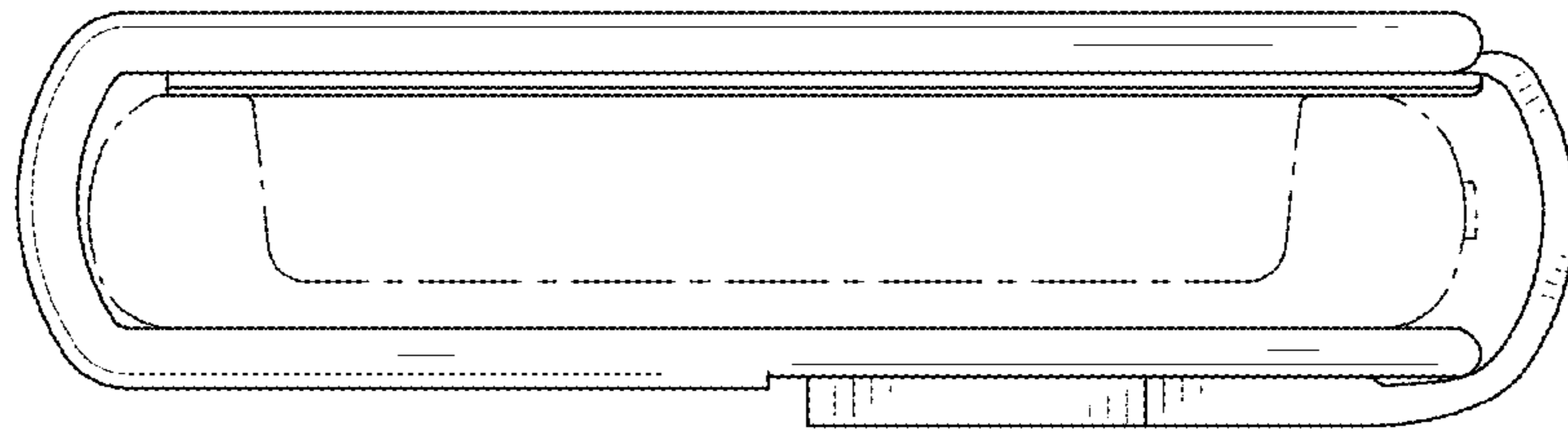


FIG. 7



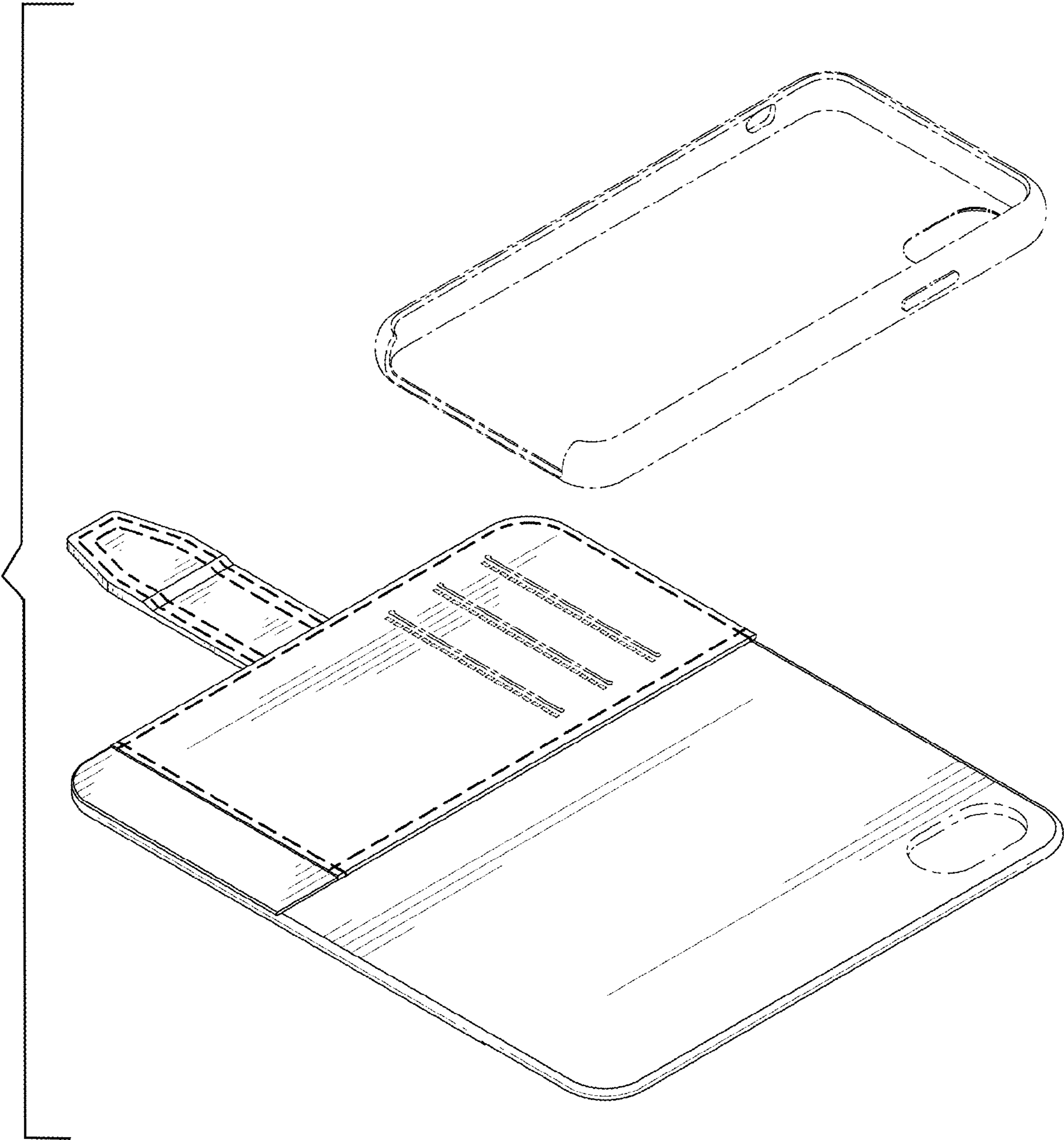


FIG. 8