



US00D891409S

(12) **United States Design Patent**
Jeon

(10) **Patent No.:** **US D891,409 S**
(45) **Date of Patent:** **** Jul. 28, 2020**

(54) **ROUTER**

(71) Applicant: **Samsung Electronics Co., Ltd.**,
Suwon-si (KR)

(72) Inventor: **Soyoon Jeon**, Suwon-si (KR)

(73) Assignee: **Samsung Electronics Co., Ltd.**,
Suwon-si (KR)

(**) Term: **15 Years**

(21) Appl. No.: **29/686,439**

(22) Filed: **Apr. 4, 2019**

(30) **Foreign Application Priority Data**

Feb. 19, 2019 (KR) 30-2019-0007417

(51) **LOC (12) Cl.** **14-03**

(52) **U.S. Cl.**
USPC **D14/240; D14/358**

(58) **Field of Classification Search**

USPC ... D14/140.1, 240, 242, 358, 125, 129, 130,
D14/140, 142, 155, 167, 168, 172, 188,
D14/195, 299, 496, 348, 351, 356, 357,
D14/197, 198, 230, 104.6; D13/110, 123,
D13/152, 158, 162, 162.1, 163, 168, 184,
D13/199, 108, 179; D10/104.1, 106.1,
D10/106.6, 116.1, 61, 64, 75, 106.9
CPC ... H04W 88/00; H04W 88/005; H04W 88/02;
H04W 88/08; H04W 88/085; H04W
88/10; H04W 88/12; H04W 88/14; H04W
88/16; H04W 88/18; H04W 4/00; H01Q
1/02; H01Q 1/2291; H01Q 1/246; H04B
1/38

See application file for complete search history.

(56) **References Cited**

U.S. PATENT DOCUMENTS

D292,914 S * 11/1987 Moeller D13/123
D336,074 S * 6/1993 Friend D13/184
D378,915 S * 4/1997 Widmayer D13/179

D379,088 S * 5/1997 Hopper D13/152
D379,799 S * 6/1997 Widmayer D13/179
D381,011 S * 7/1997 Widmayer D13/179
D427,180 S * 6/2000 Humes D14/230
D458,228 S * 6/2002 Jacobson D13/152

(Continued)

OTHER PUBLICATIONS

Routers. (Design—©Questel) orbit.com. [online PDF] 98 pgs. Print
Dates range Jun. 27, 2018 through Mar. 30, 2020. [retrieved Apr. 21,
2020] <https://www.orbit.com/export/QPTUJ214/pdf2/d5bf6637-31bd-48f1-8a18-833475a2c084-215758.pdf>.*

Primary Examiner — Marie D. Fast Horse
(74) *Attorney, Agent, or Firm* — NSIP Law

(57) **CLAIM**

I claim the ornamental design for a router, as shown and
described.

DESCRIPTION

FIG. 1 is a front perspective view of a router showing my
new design;
FIG. 2 is a front view thereof;
FIG. 3 is a rear view thereof;
FIG. 4 is a left-side view thereof;
FIG. 5 is a right-side view thereof;
FIG. 6 is a top view thereof;
FIG. 7 is a bottom view thereof;
FIG. 8 is an enlarged view of the encircled portion in FIG.
1;
FIG. 9 is an enlarged view of the encircled portion in FIG.
4; and,
FIG. 10 is an enlarged view of the encircled portion in FIG.
4.

The broken lines in the figures depict portions of the router
which form no part of the claimed design.
The dot-dash broken lines encircling portions of the claimed
design that are illustrated in enlargements form no part of the
claimed design.

1 Claim, 8 Drawing Sheets

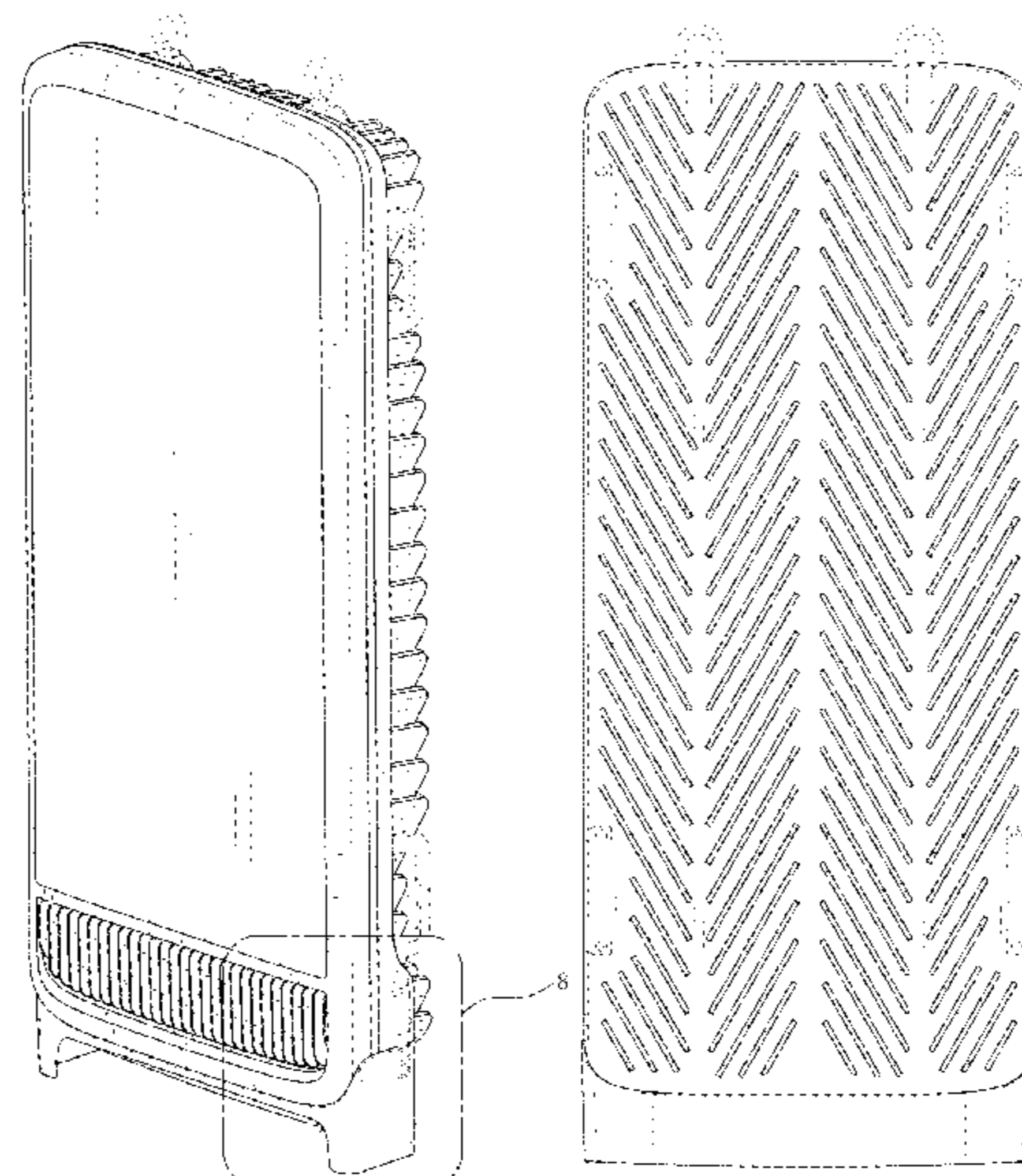


FIG. 1

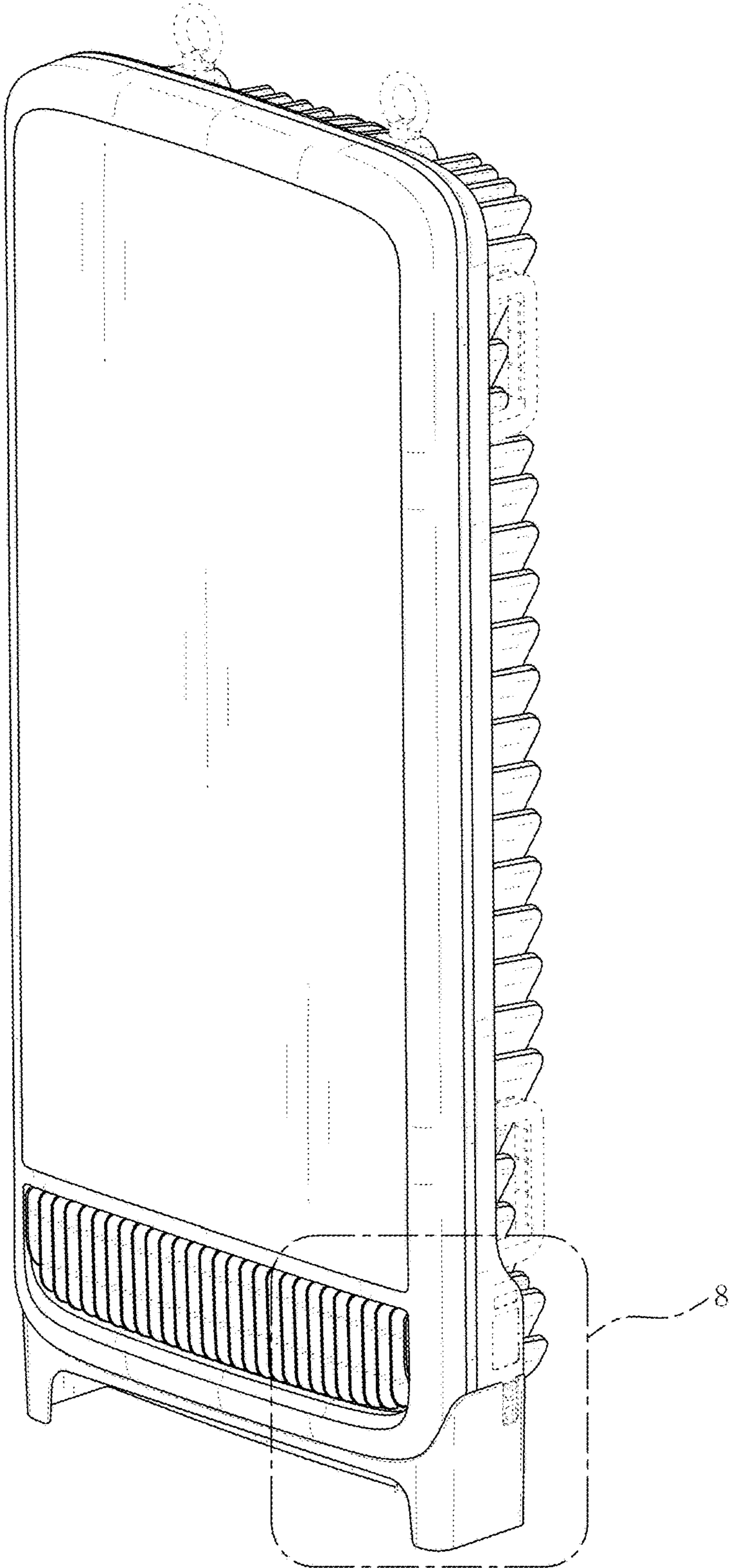


FIG. 2

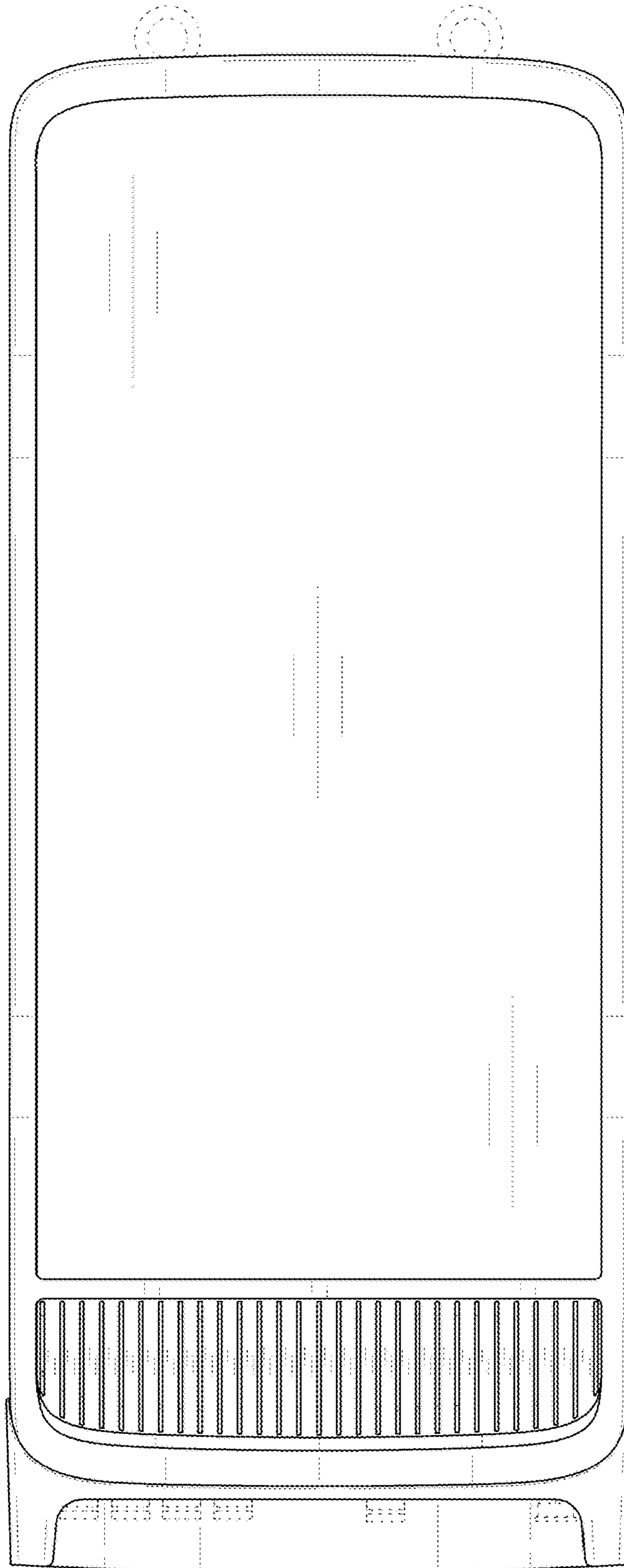


FIG. 3

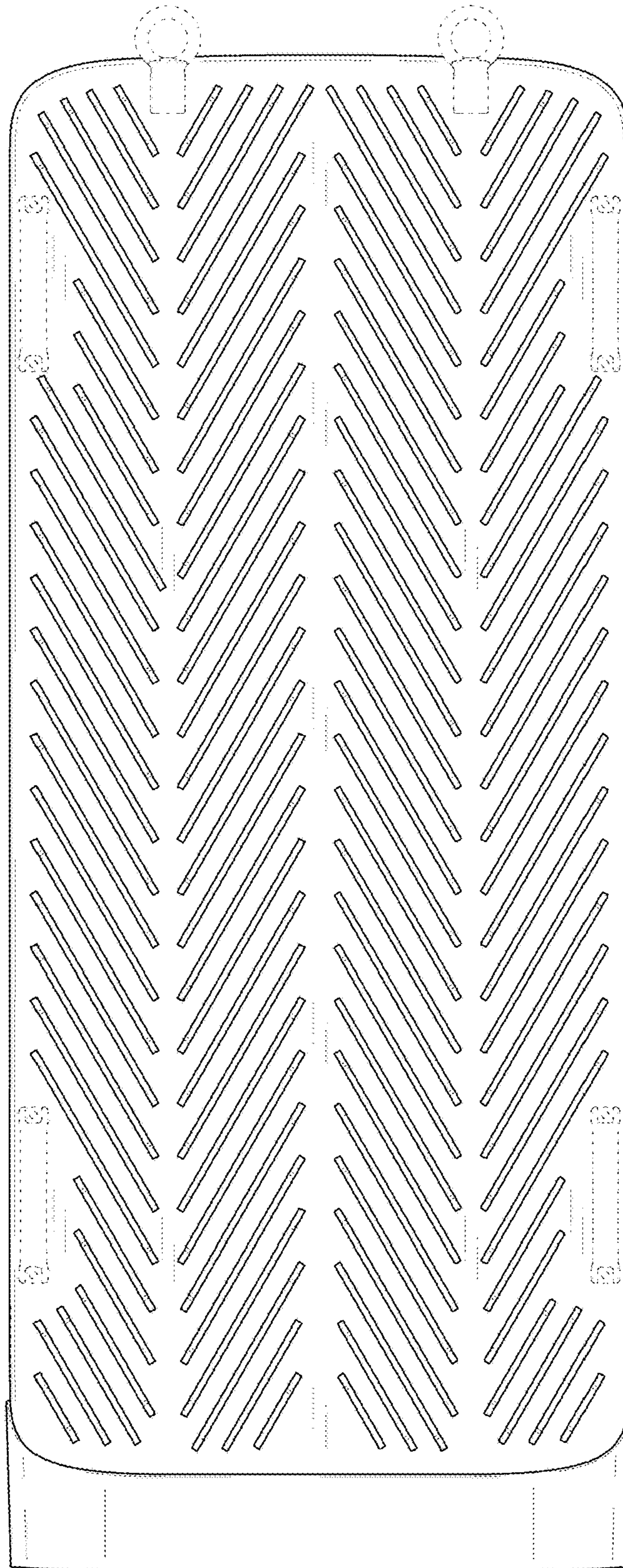


FIG. 4

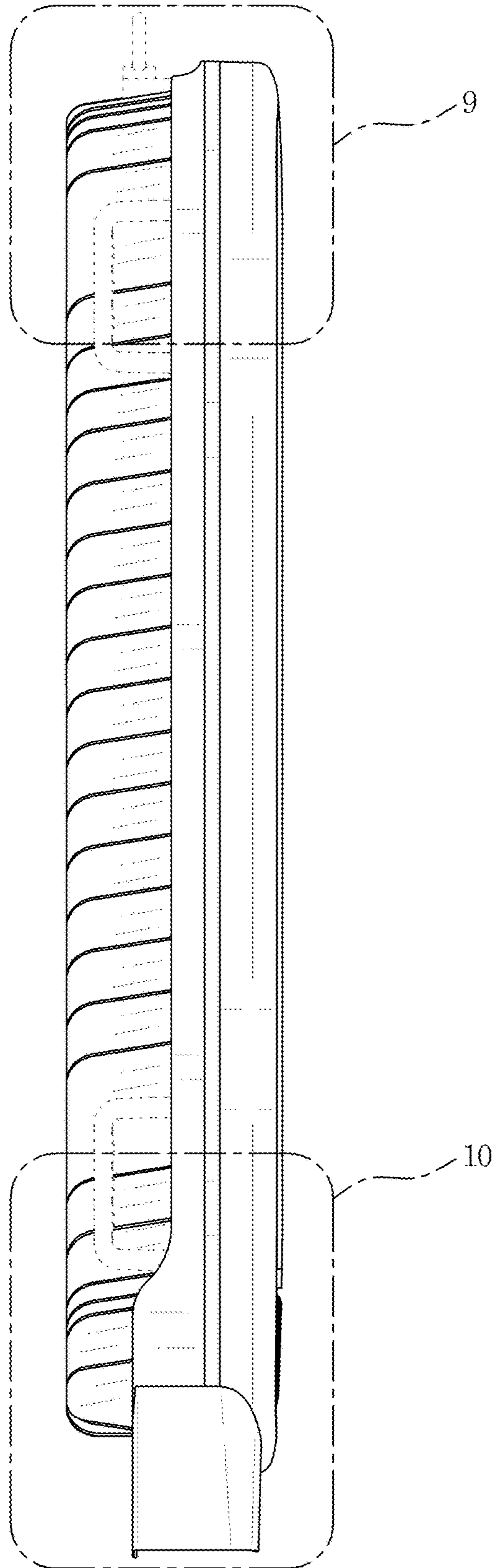


FIG. 5

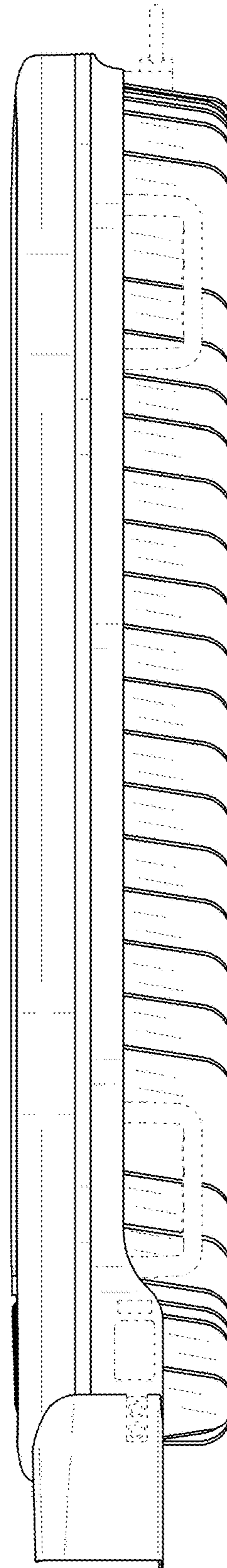


FIG. 6

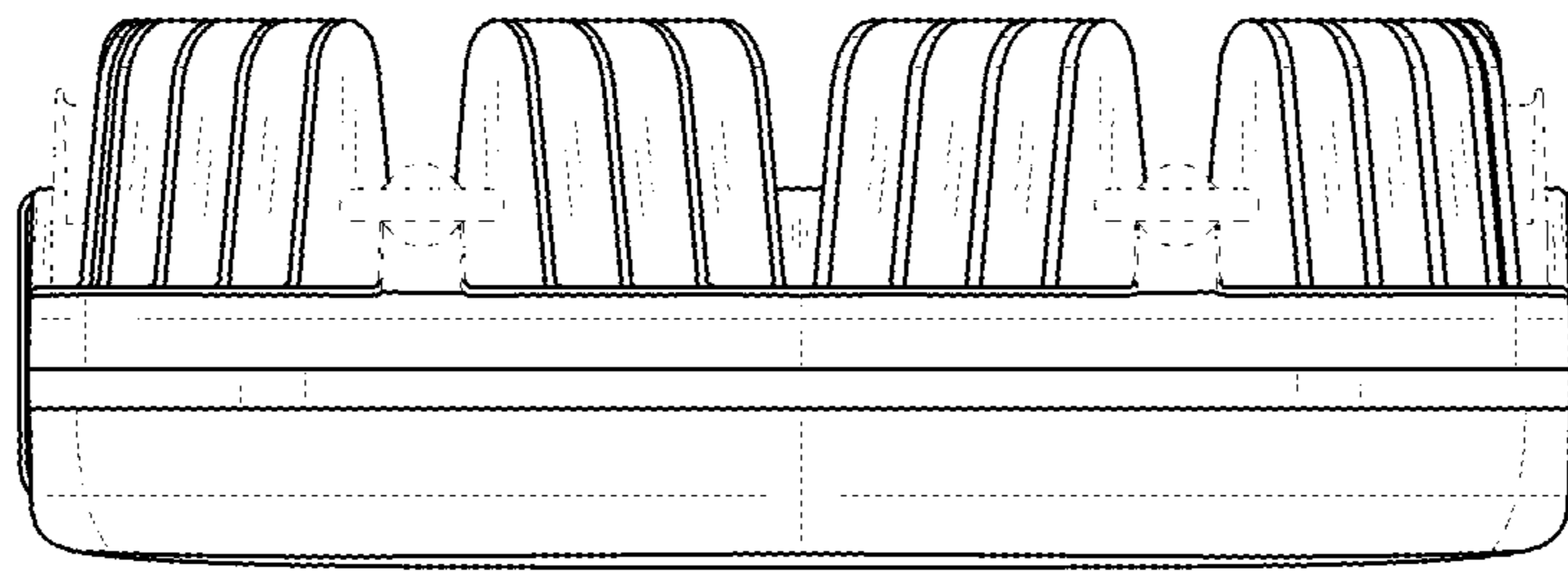


FIG. 7

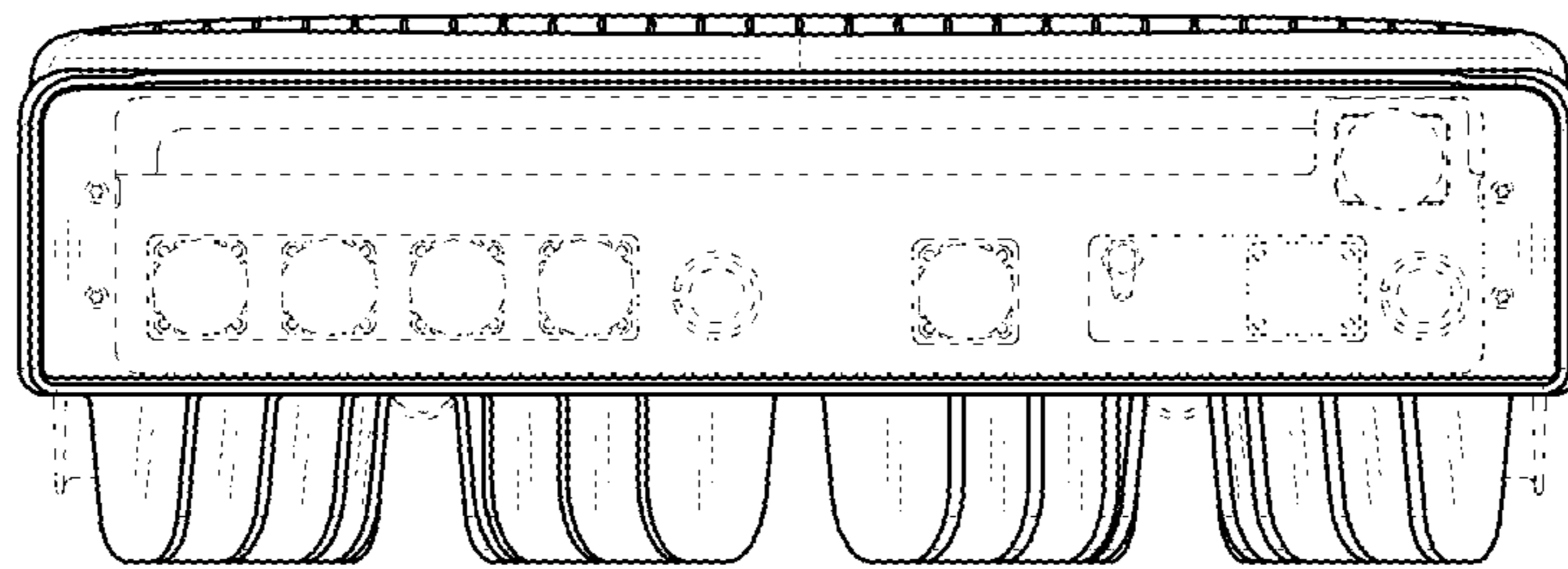


FIG. 8

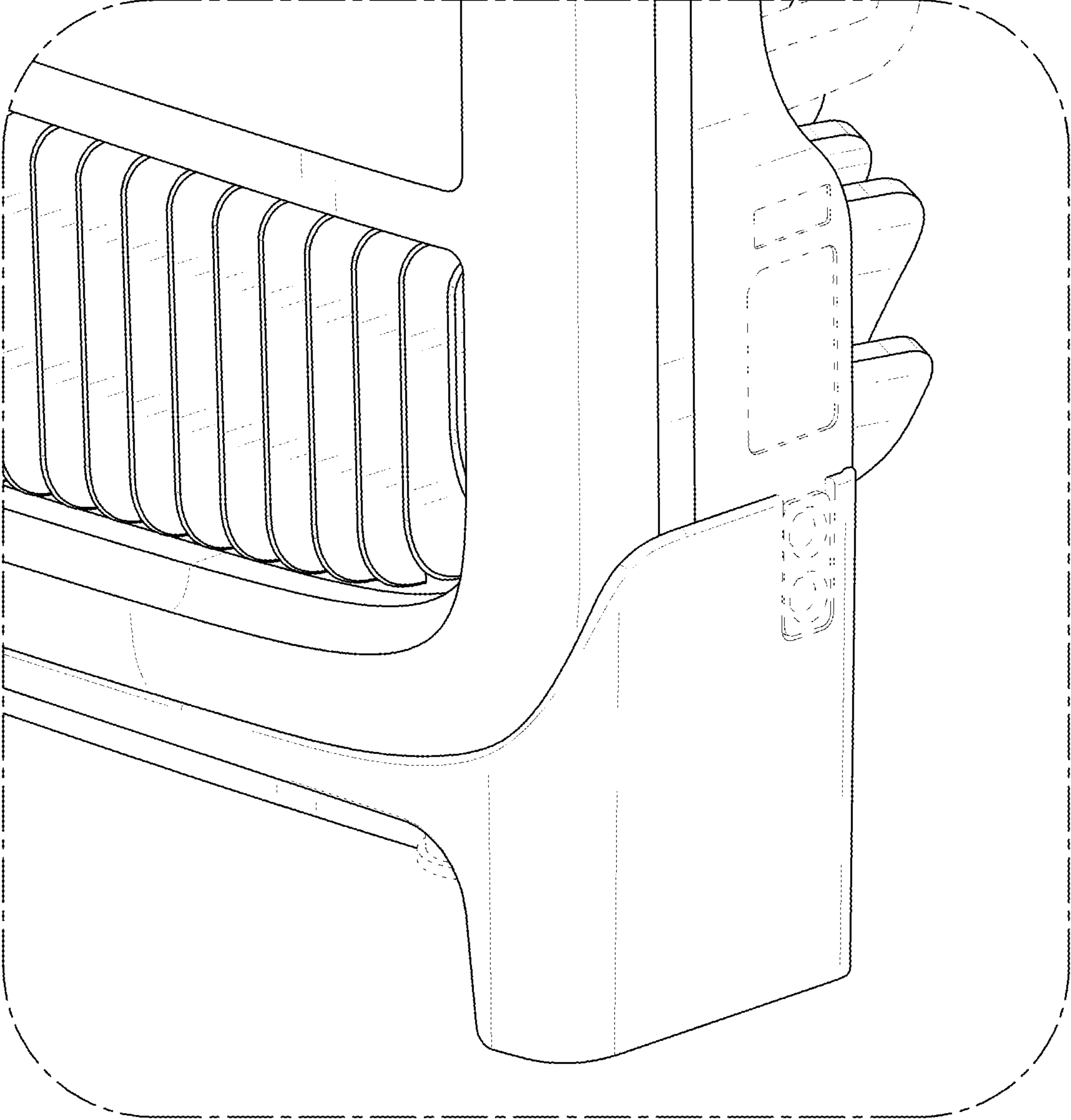


FIG. 9

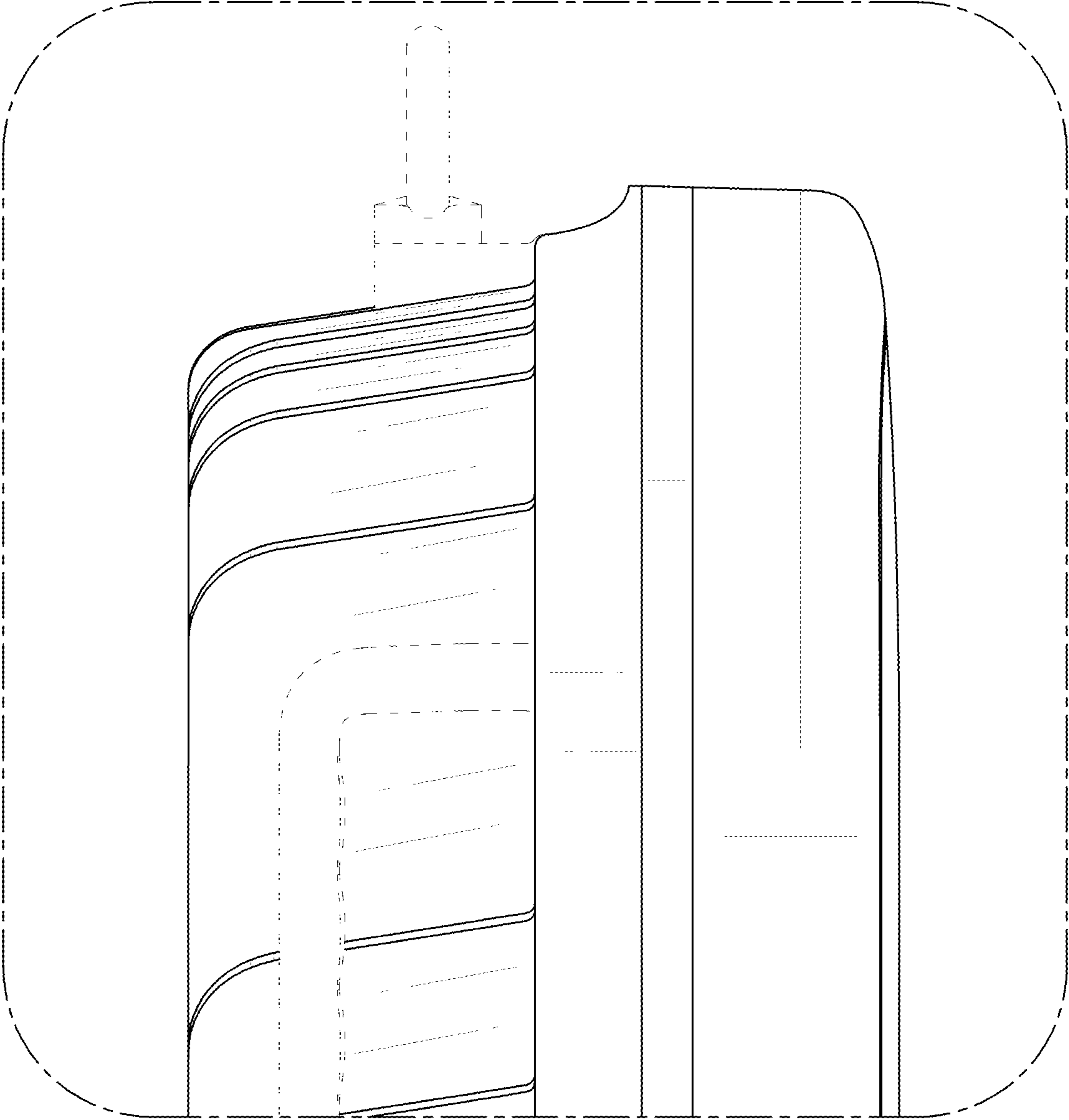


FIG. 10

