



US00D891407S

(12) **United States Design Patent**
Folk

(10) **Patent No.:** **US D891,407 S**

(45) **Date of Patent:** **** Jul. 28, 2020**

(54) **PHONE CLIP ACCESSORY**

(71) Applicant: **EXTERNAL POWER SUPPLY, LLC**,
Atlanta, GA (US)

(72) Inventor: **Bryan Emory Folk**, Atlanta, GA (US)

(73) Assignee: **EXTERNAL POWER SUPPLY, LLC**,
Atlanta, GA (US)

(**) Term: **15 Years**

(21) Appl. No.: **29/668,128**

(22) Filed: **Oct. 27, 2018**

(51) **LOC (12) Cl.** **14-03**

(52) **U.S. Cl.**
USPC **D14/240**

(58) **Field of Classification Search**
USPC D14/240, 242, 357, 358, 355, 125, 126,
D14/204, 214, 215, 216, 137, 155, 139,
D14/243, 348, 349, 351, 354, 435.1
CPC . H04L 12/66; H04L 63/0853; H04L 63/0272;
H04L 63/083; H04L 63/105; H05K 7/20;
H05K 7/20154
See application file for complete search history.

(56) **References Cited**

U.S. PATENT DOCUMENTS

D532,001 S	*	11/2006	Burke	D14/240
D596,635 S	*	7/2009	Owens	D14/358
D781,297 S		3/2017	Liao		
D816,076 S		4/2018	Ahn		
D820,247 S		6/2018	Ahn		
D820,248 S		6/2018	Ahn		
D820,823 S		6/2018	Ahn		
D823,847 S		6/2018	Lebovitz		

D825,548 S		8/2018	Lebovitz		
D825,549 S		8/2018	Lebovitz		
D857,677 S	*	8/2019	Formica	D14/240
2017/0311080	A1*	10/2017	Kolb	H04R 1/342
2017/0318697	A1	11/2017	Lebovitz		
2018/0304782	A1*	10/2018	Yoshino	B60N 2/5825
2018/0317339	A1*	11/2018	Evans	H05K 7/20127
2019/0104355	A1*	4/2019	Kirschman	H04M 1/05

* cited by examiner

Primary Examiner — Bridget L Eland

(74) *Attorney, Agent, or Firm* — Gronholm Patent Services

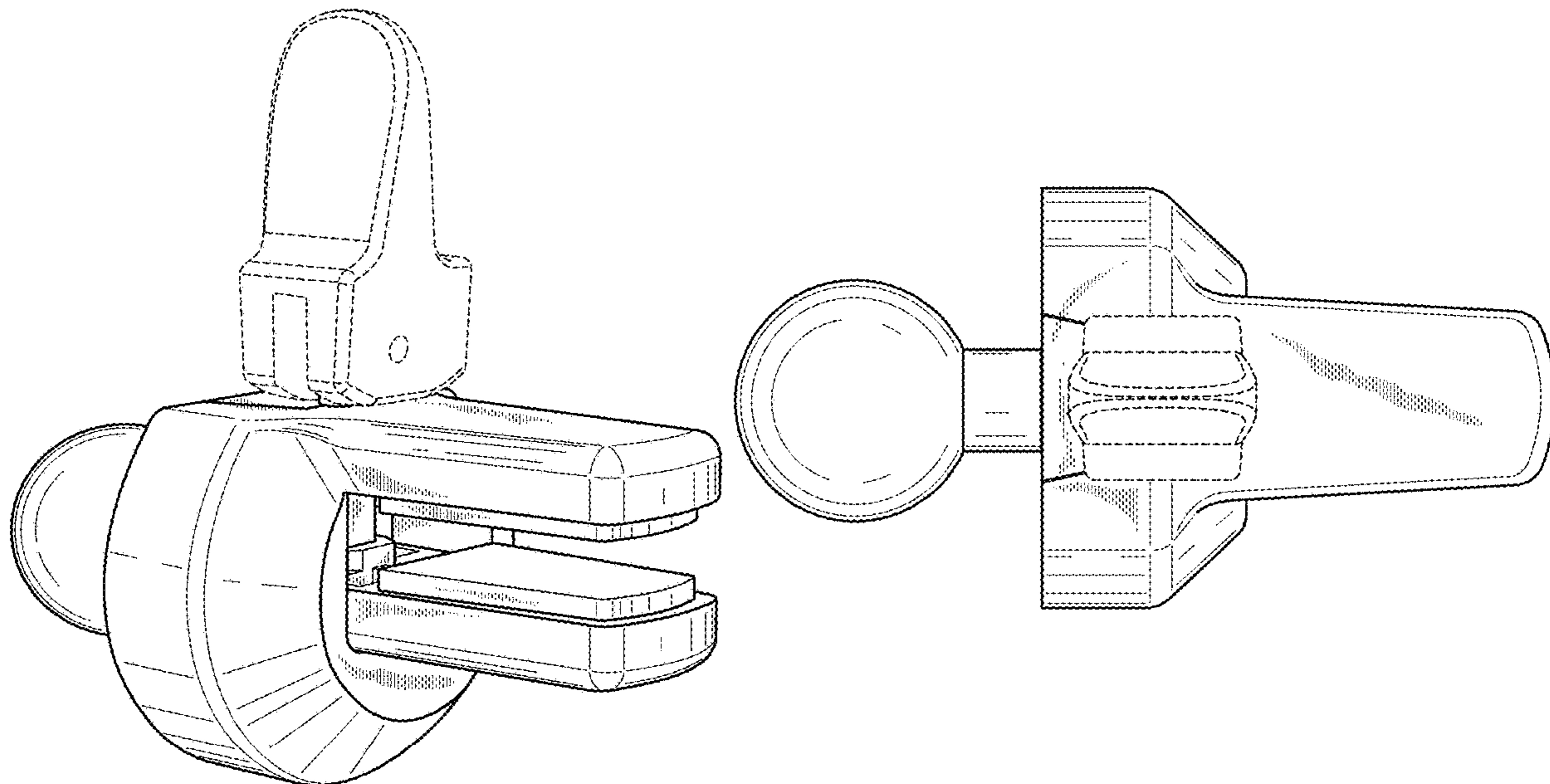
(57) **CLAIM**

The ornamental design for a phone clip accessory, as shown and described.

DESCRIPTION

FIG. 1 is a perspective view of a phone clip accessory according to the present design;
 FIG. 2 is a left side elevational view of the phone clip accessory shown in FIG. 1;
 FIG. 3 is a right side elevational view of the phone clip accessory shown in FIG. 1;
 FIG. 4 is a rear elevational view of the phone clip accessory shown in FIG. 1;
 FIG. 5 is a front elevational view of the phone clip accessory shown in FIG. 1;
 FIG. 6 is a top plan view of the phone clip accessory shown in FIG. 1; and,
 FIG. 7 is a bottom plan view of the phone clip accessory shown in FIG. 1.
 The broken lines shown in the views are included for the purpose of illustrating portions of the phone clip accessory that form no part of the claimed design.

1 Claim, 7 Drawing Sheets



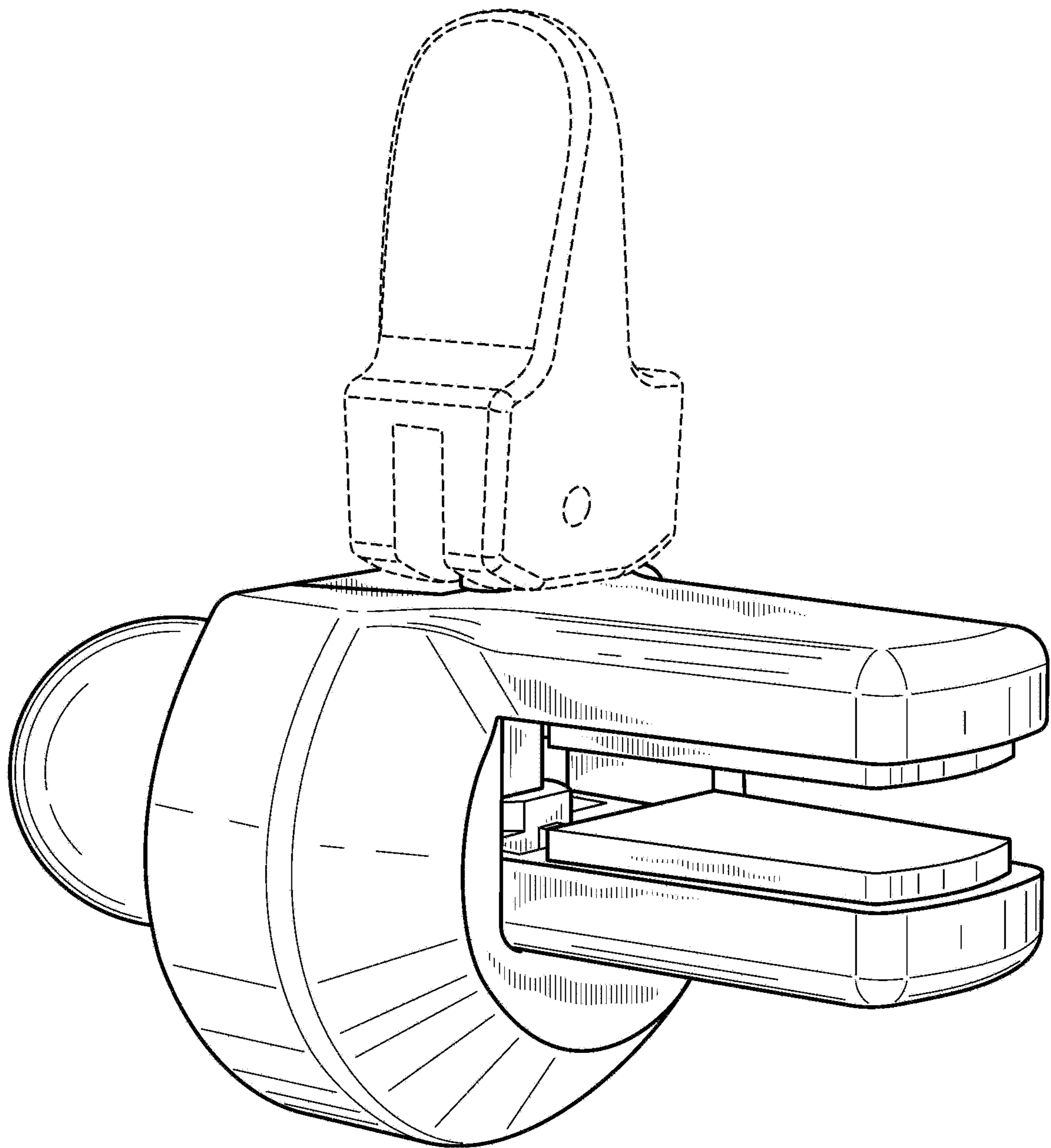


FIG. 1

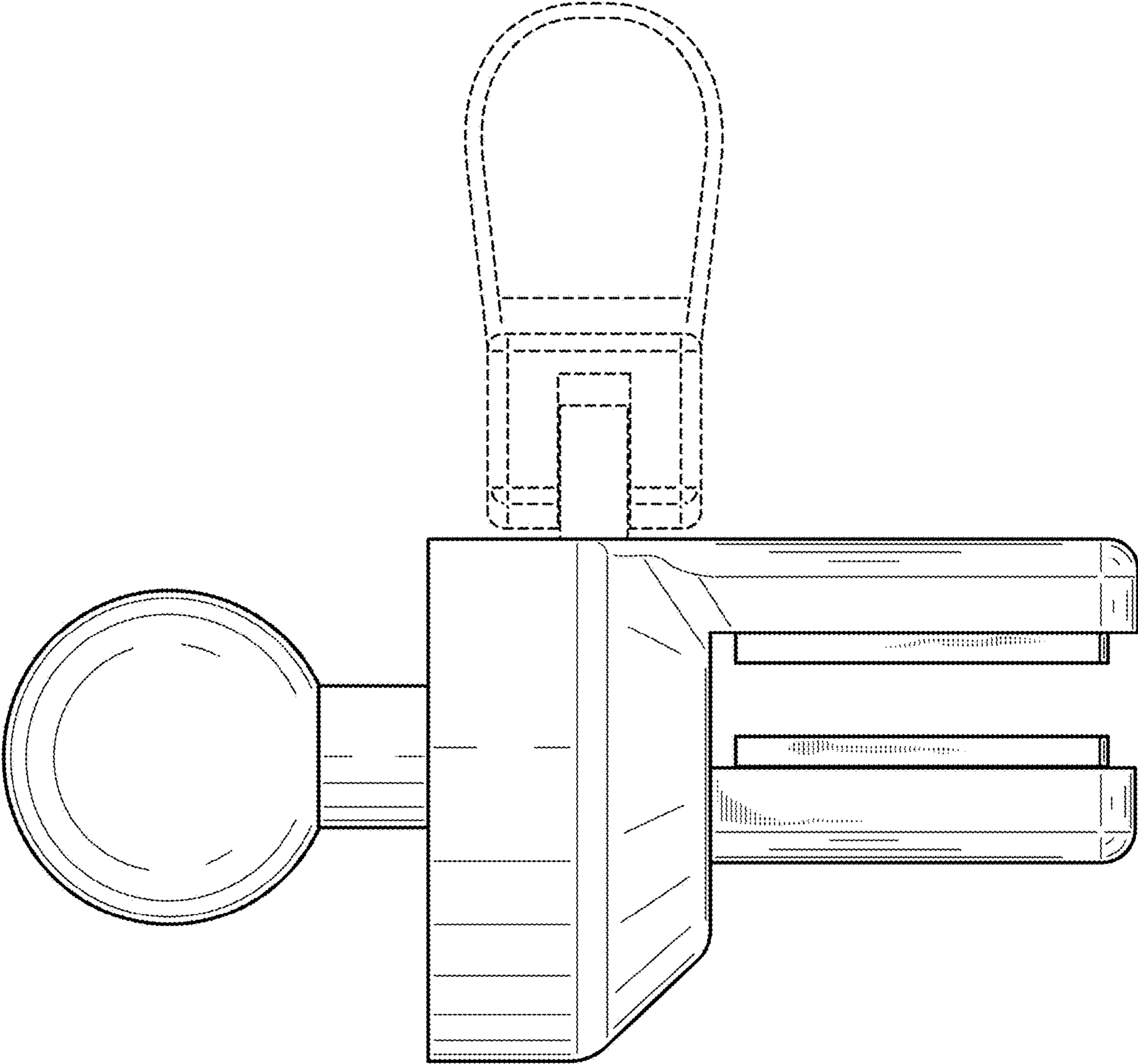


FIG. 2

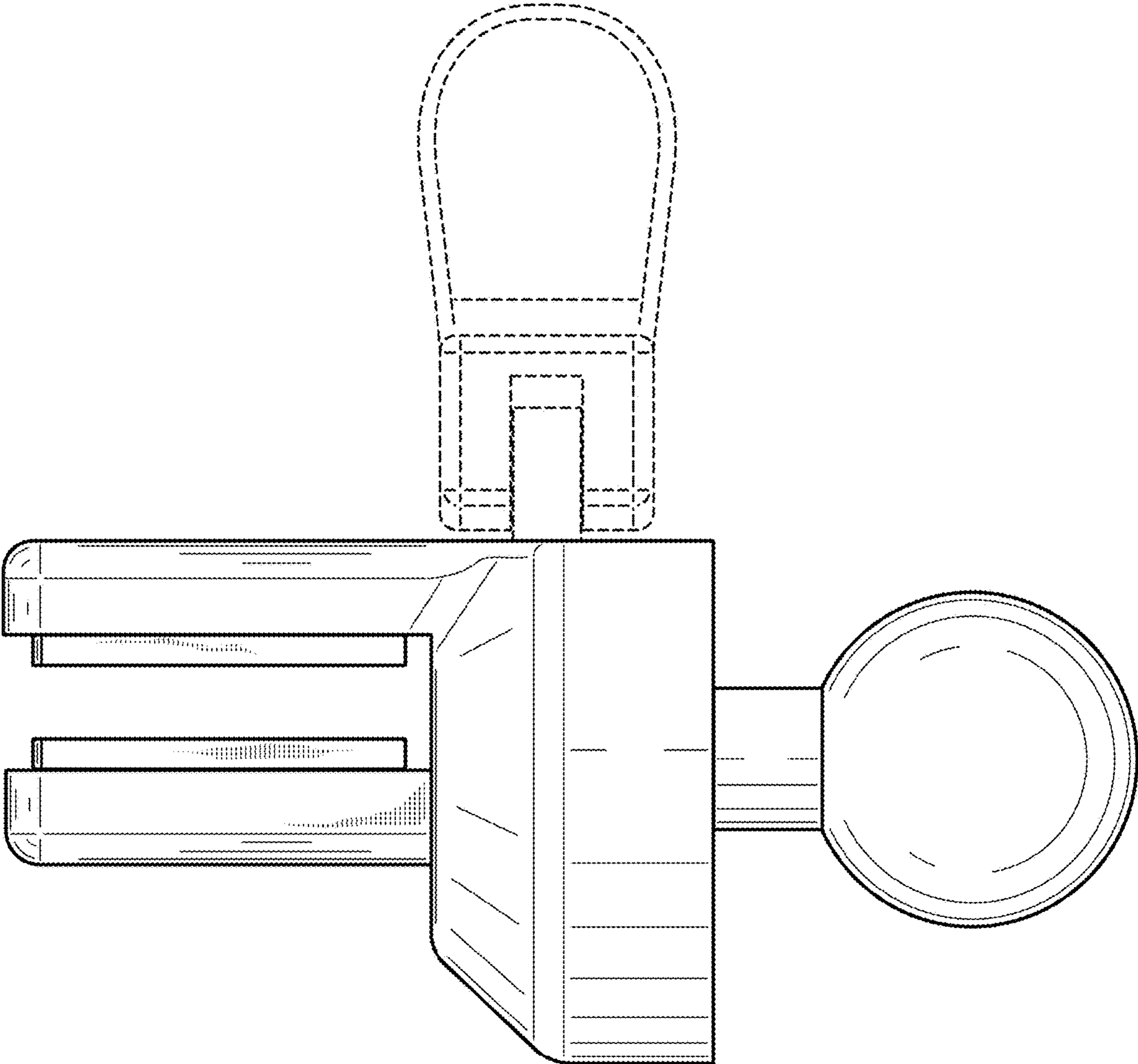


FIG. 3

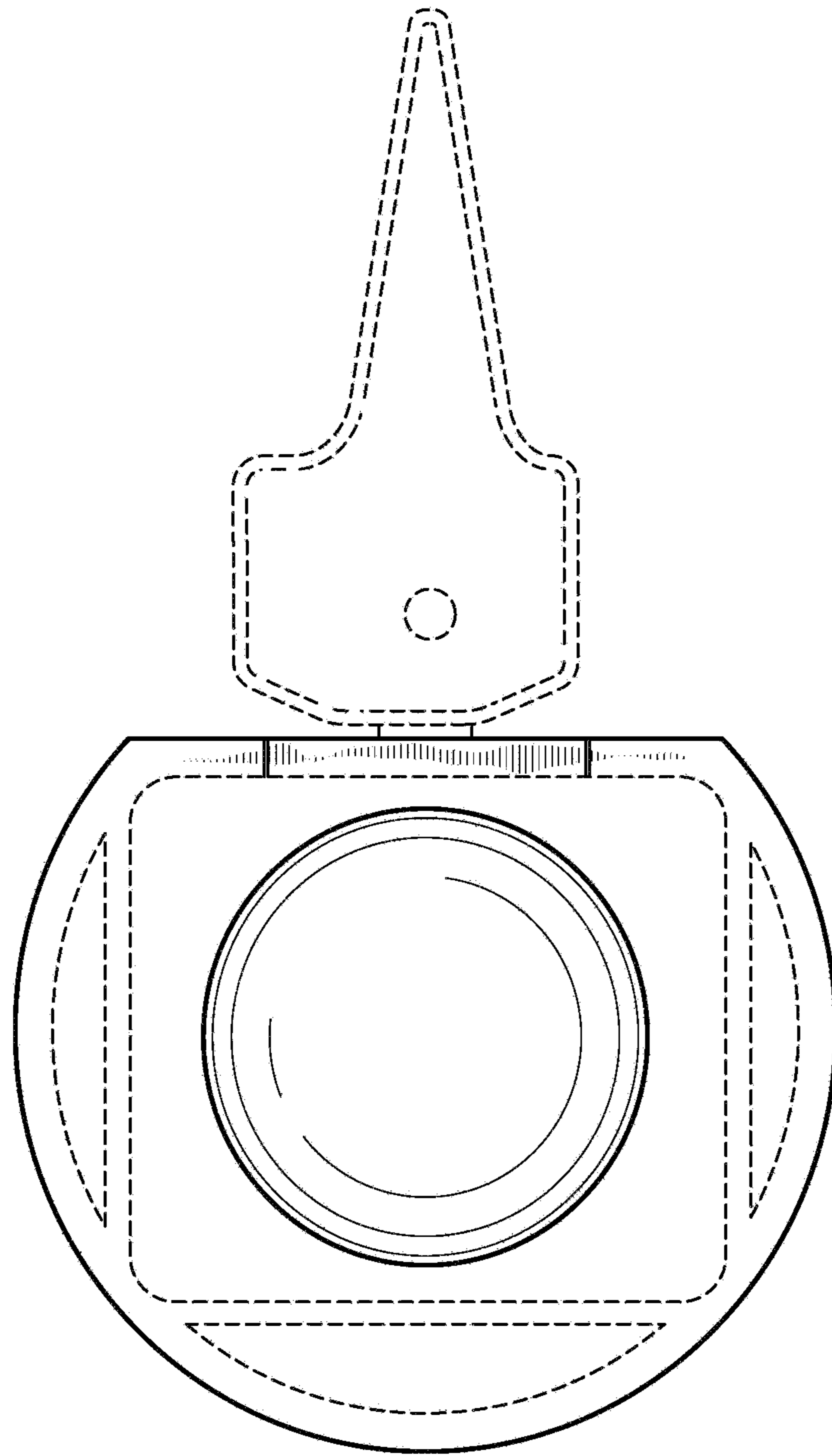


FIG. 4

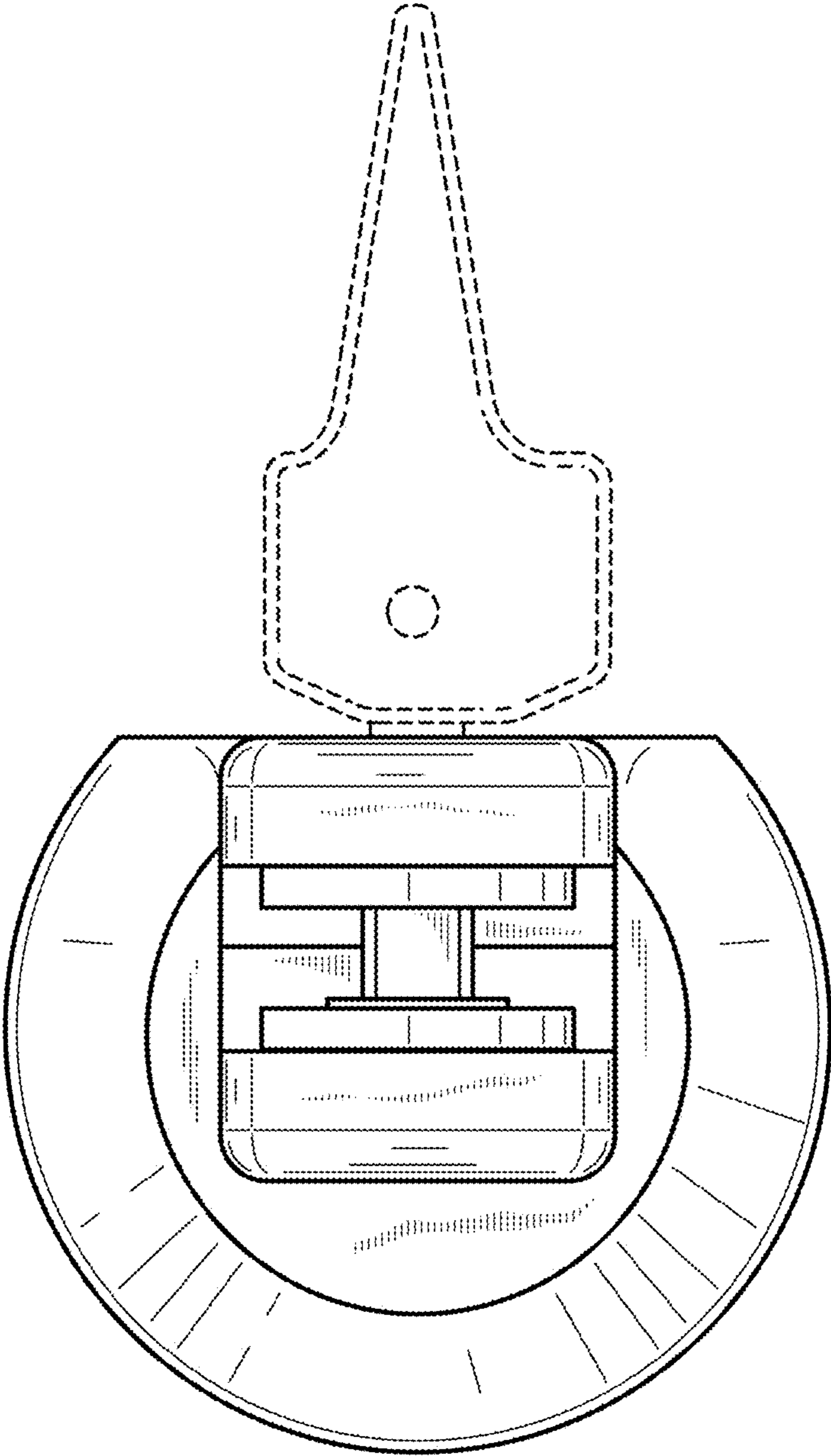


FIG. 5

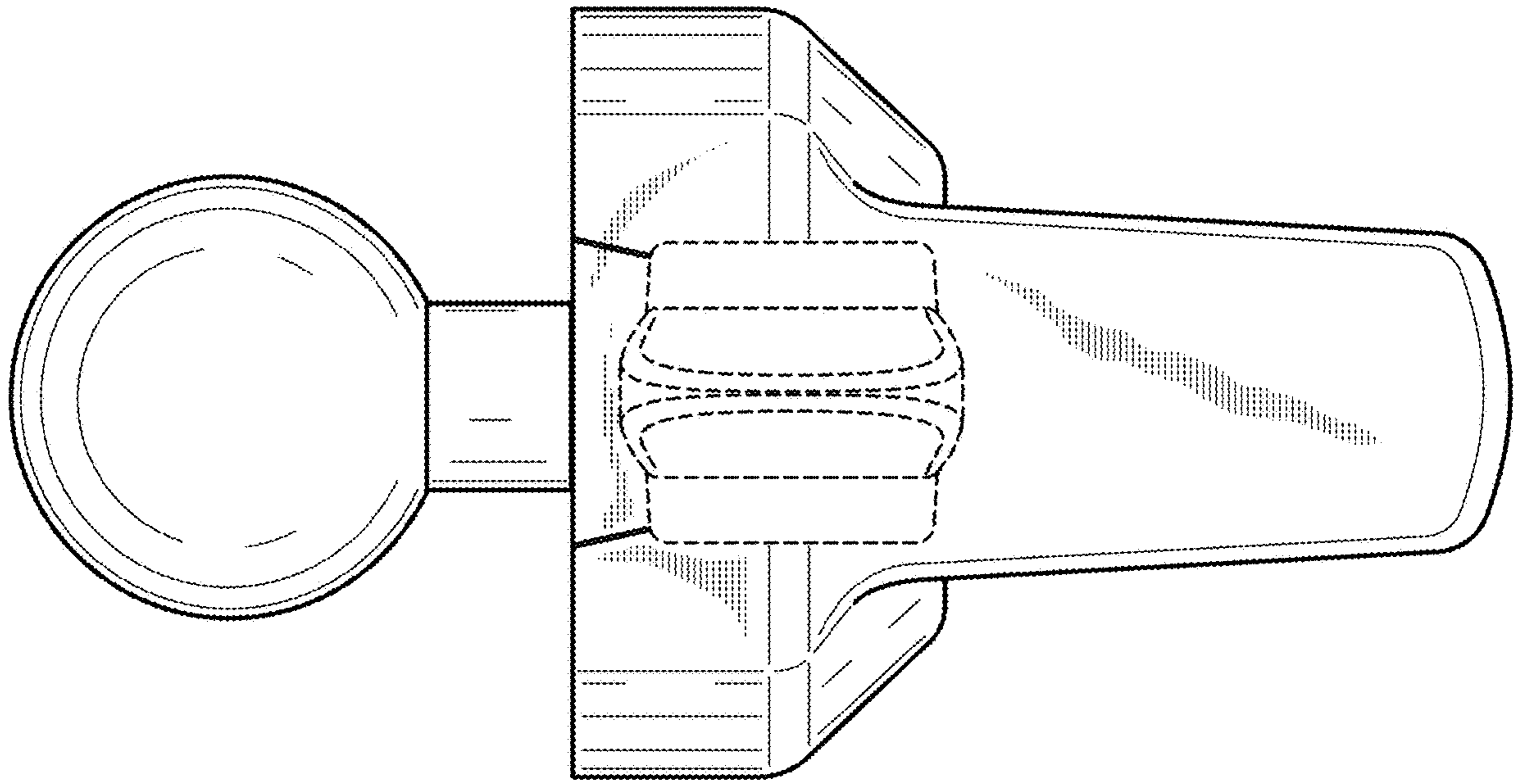


FIG. 6

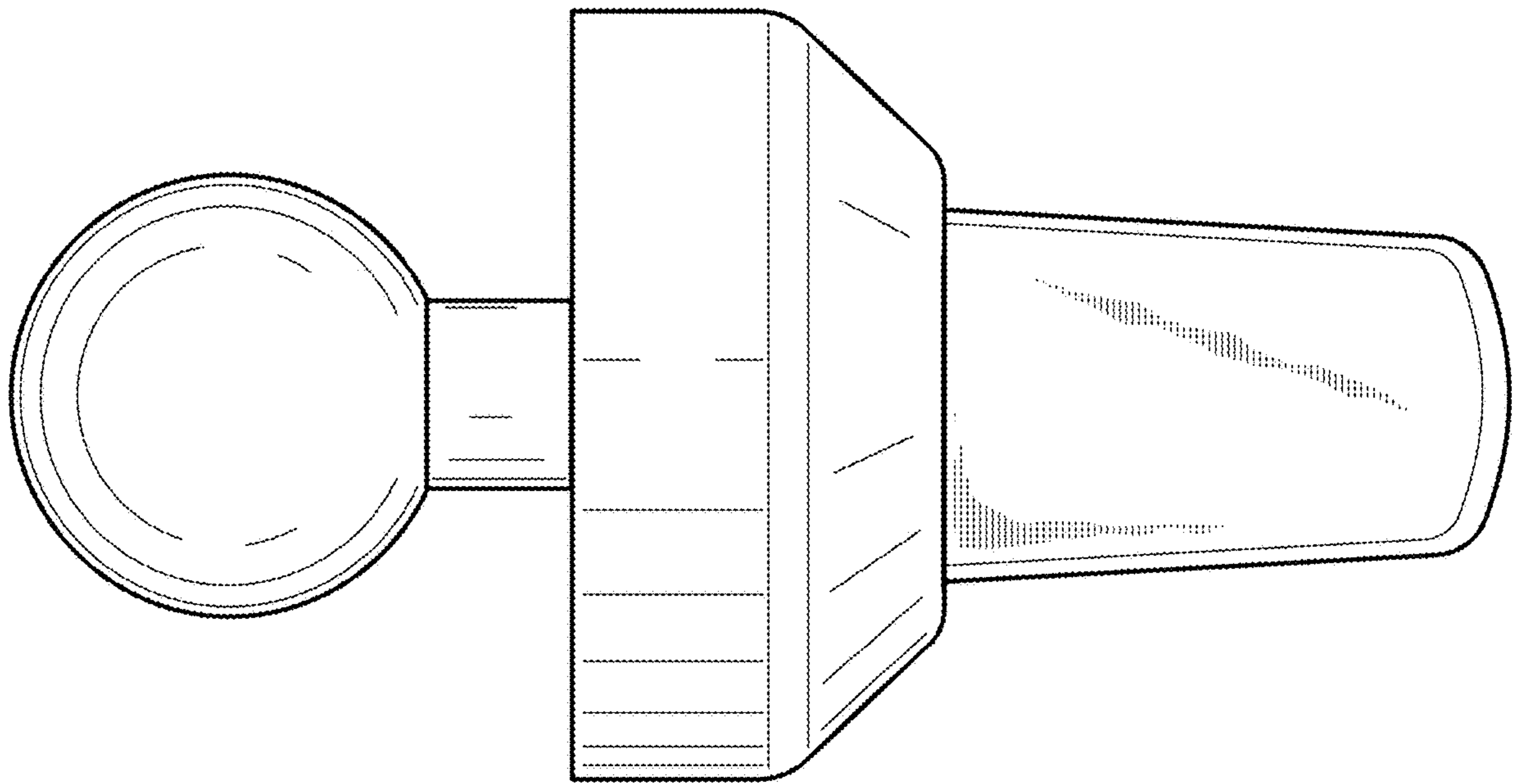


FIG. 7