

US00D891404S

(12) **United States Design Patent**
Issa et al.

(10) **Patent No.:** **US D891,404 S**
(45) **Date of Patent:** **** Jul. 28, 2020**

- (54) **OMNIDIRECTIONAL ULTRA-WIDEBAND ANTENNA**
- (71) Applicant: **KING SAUD UNIVERSITY**, Riyadh (SA)
- (72) Inventors: **Khaled Issa**, Riyadh (SA); **Muhammad Ahmad Ashraf**, Riyadh (SA); **Waleed Tariq Sethi**, Riyadh (SA); **Habib Fathallah**, Soukra (TN); **Saleh Alshebeili**, Riyadh (SA)
- (73) Assignee: **King Saud University**, Riyadh (SA)
- (**) Term: **15 Years**
- (21) Appl. No.: **29/678,358**
- (22) Filed: **Jan. 28, 2019**
- (51) **LOC (12) Cl.** **14-03**
- (52) **U.S. Cl.**
USPC **D14/230**
- (58) **Field of Classification Search**
USPC D14/138, 230–238, 299, 358; D12/42, D12/43
CPC H01Q 7/00; H01Q 13/10; H01Q 9/285; H01Q 19/30; H01Q 19/12; H01Q 1/38; H01Q 1/36; H04B 1/0475; H04B 1/034; H05K 11/00
See application file for complete search history.

(56) **References Cited**

U.S. PATENT DOCUMENTS

2,543,130	A *	2/1951	Robertson	H01Q 15/14 342/6
3,401,387	A	9/1968	Milligan et al.		
D275,673	S *	9/1984	Iino	D14/230
D282,172	S *	1/1986	Mabuchi	D14/233
D283,129	S *	3/1986	Fourcher	D14/230
D361,767	S *	8/1995	Tinaphong	D14/230

6,111,549	A *	8/2000	Feller	H01Q 9/28 343/700 MS
6,195,061	B1	2/2001	Hizal et al.		
6,268,834	B1 *	7/2001	Josypenko	H01Q 13/04 343/727
6,486,849	B2 *	11/2002	Buckles	H01Q 9/40 343/773
7,006,047	B2	2/2006	Marsan et al.		
7,548,202	B1 *	6/2009	Jennings	F42C 13/04 342/418
D611,460	S *	3/2010	Chao	D14/230
7,701,396	B2	4/2010	Cohen		
D623,633	S *	9/2010	Bliss	D14/233
7,973,732	B2	7/2011	Cohen		
D713,392	S	9/2014	Podduturi		
D775,612	S *	1/2017	Sano	D14/230
D787,482	S *	5/2017	Jang	D14/230
D802,569	S *	11/2017	Zheng	D14/230

(Continued)

Primary Examiner — John Windmuller
(74) *Attorney, Agent, or Firm* — Richard C. Litman; Nath, Goldberg & Meyer

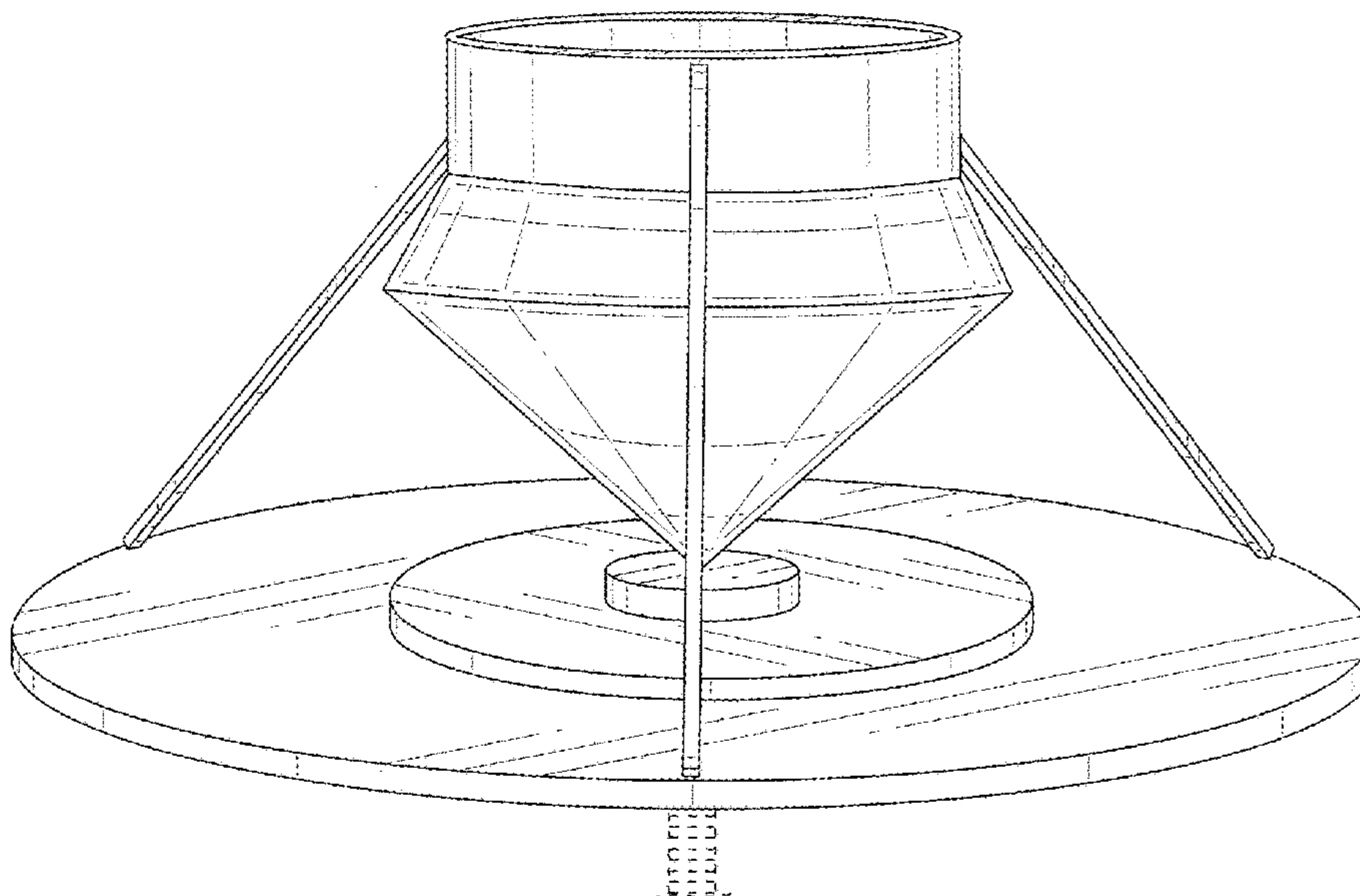
(57) **CLAIM**

The ornamental design for an omnidirectional ultra-wide-band antenna, as shown and described.

DESCRIPTION

FIG. 1 is a front perspective view of an omnidirectional ultra-wideband antenna showing our new design; FIG. 2 is a rear perspective view thereof; FIG. 3 is a right side view thereof; FIG. 4 is a left side view thereof; FIG. 5 is a top view thereof; FIG. 6 is a bottom view thereof; FIG. 7 is front elevational view thereof; and, FIG. 8 is a rear elevational view thereof. The broken line showing of the coaxial cable in FIGS. 1-4 and 6-8 is for illustrative purposes only and forms no part of the claimed design.

1 Claim, 5 Drawing Sheets



(56)

References Cited

U.S. PATENT DOCUMENTS

D829,696 S * 10/2018 Wallace D14/233
10,411,357 B1 * 9/2019 Ashraf H01Q 9/40
2005/0110649 A1 * 5/2005 Fredericks B64D 47/06
340/815.45
2006/0250315 A1 11/2006 Parsche
2010/0085264 A1 * 4/2010 Du H01Q 9/40
343/772
2010/0194646 A1 8/2010 Cohen
2012/0068903 A1 * 3/2012 Thevenard H01Q 3/247
343/795
2014/0203984 A1 * 7/2014 Nilsson H01Q 1/42
343/774
2015/0255874 A1 * 9/2015 Hung H01Q 9/40
343/786
2015/0280317 A1 * 10/2015 Morin H01Q 9/28
343/795
2017/0025750 A1 * 1/2017 Su H01Q 1/36
2019/0051990 A1 * 2/2019 Luo H01Q 1/38

* cited by examiner

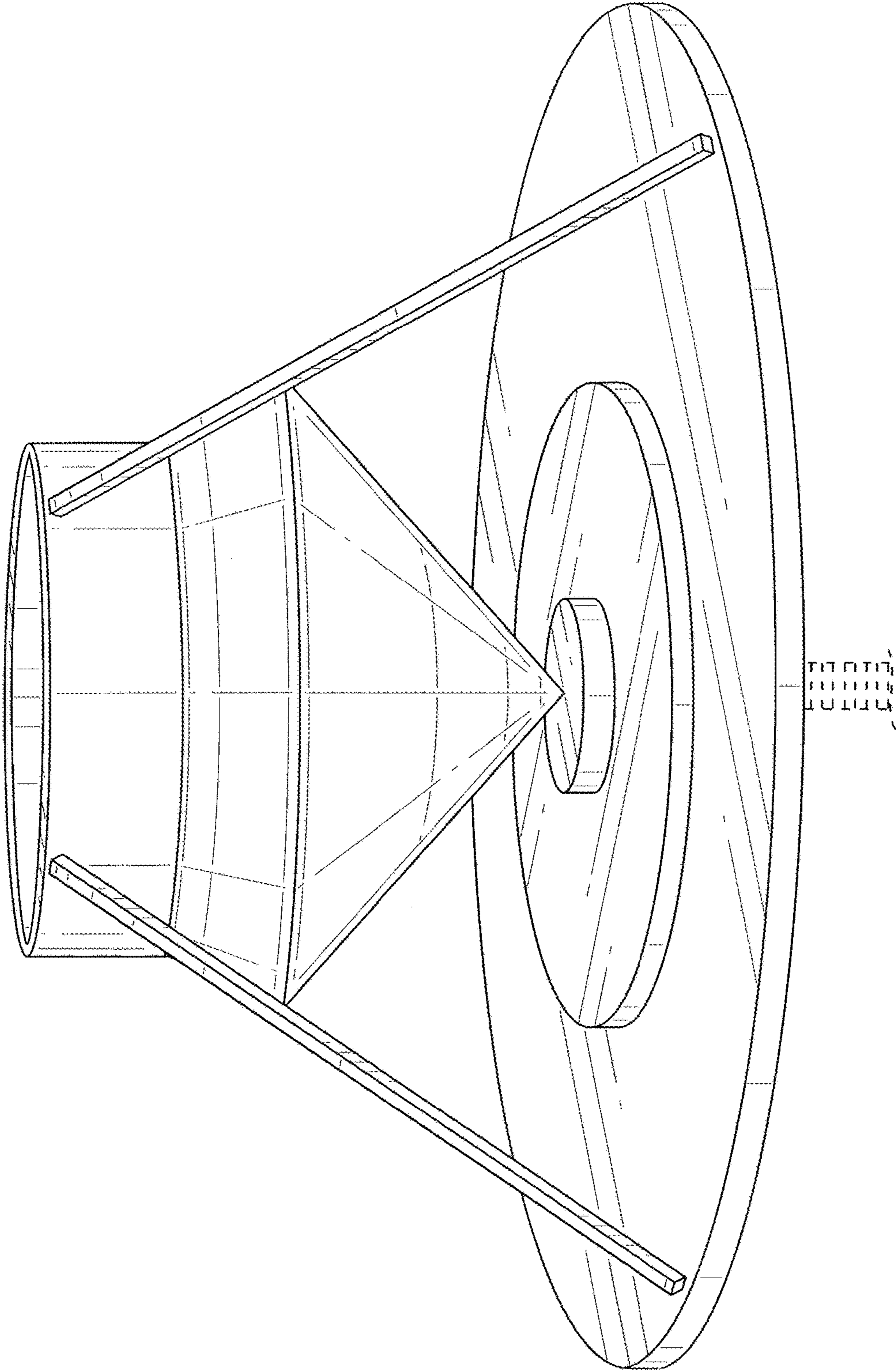


FIG. 1

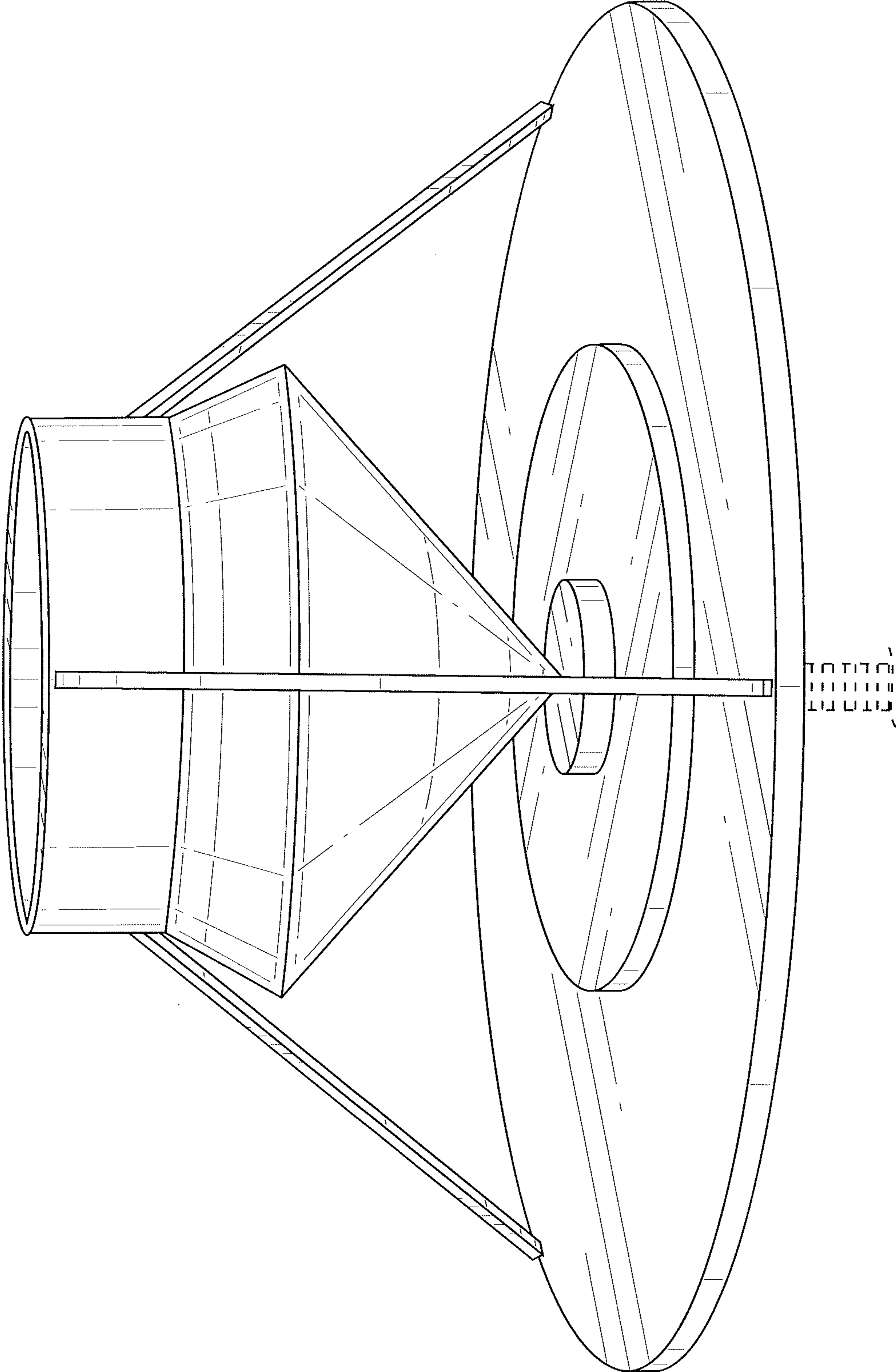


FIG. 2

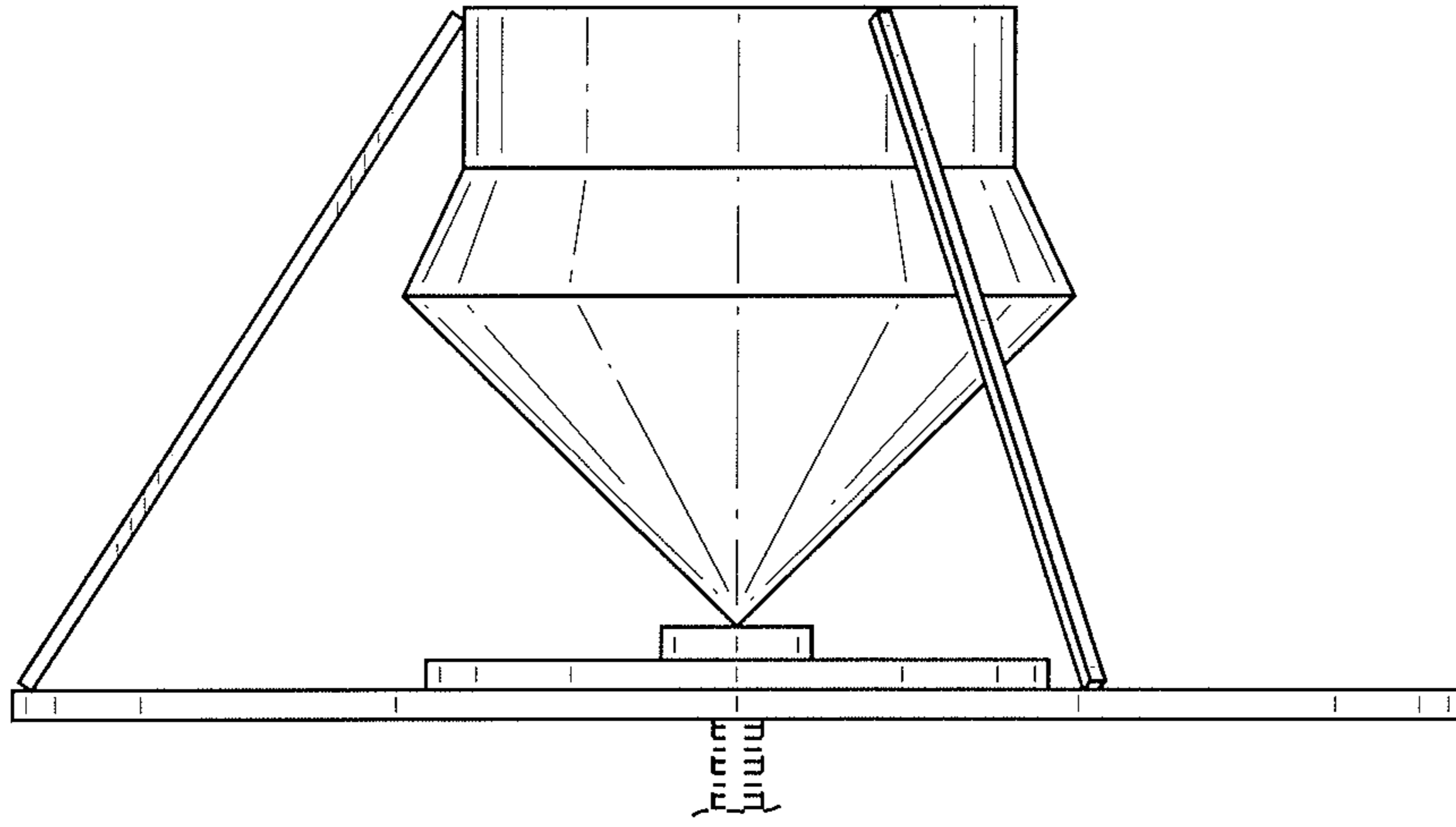


FIG. 3

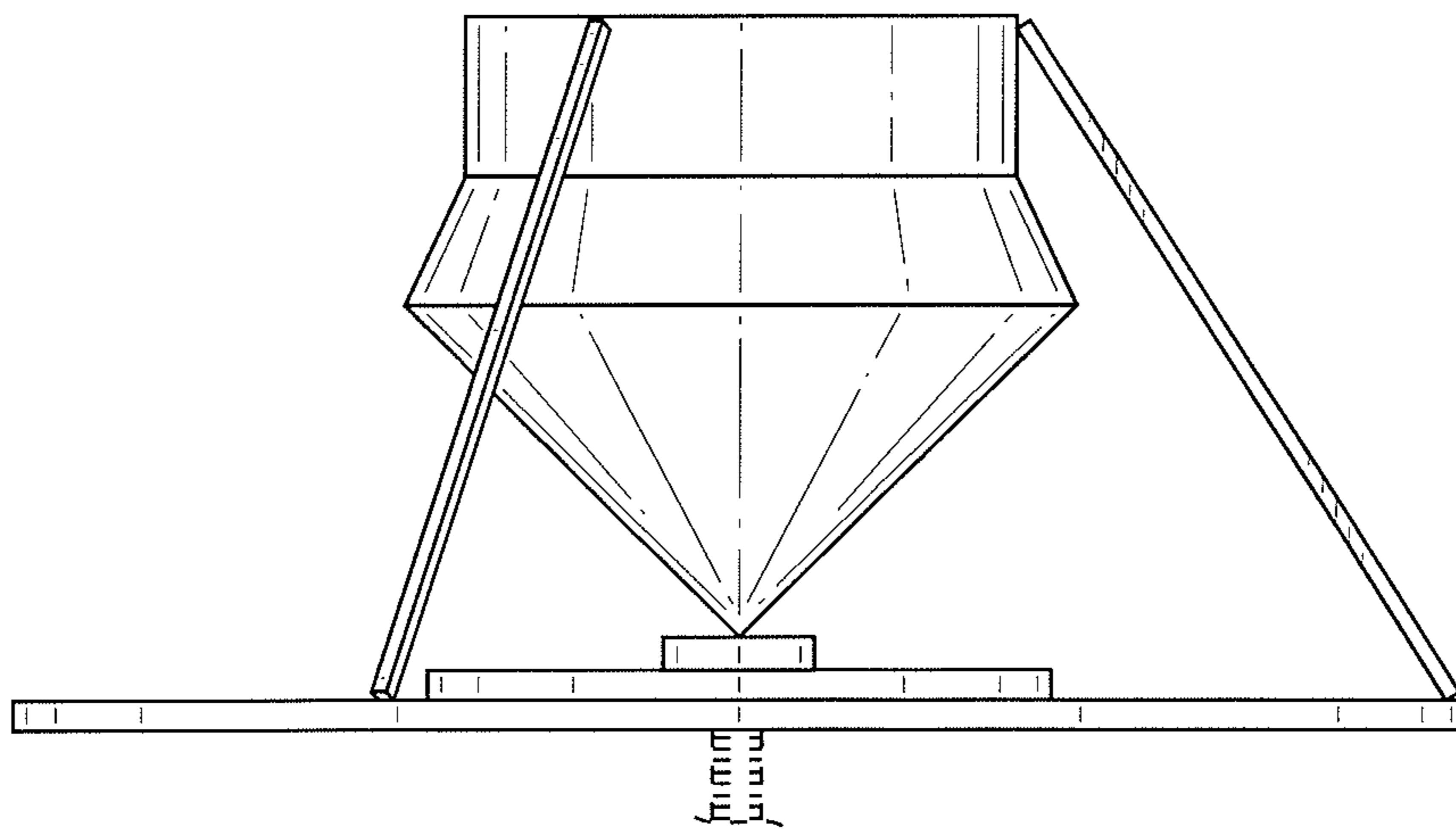


FIG. 4

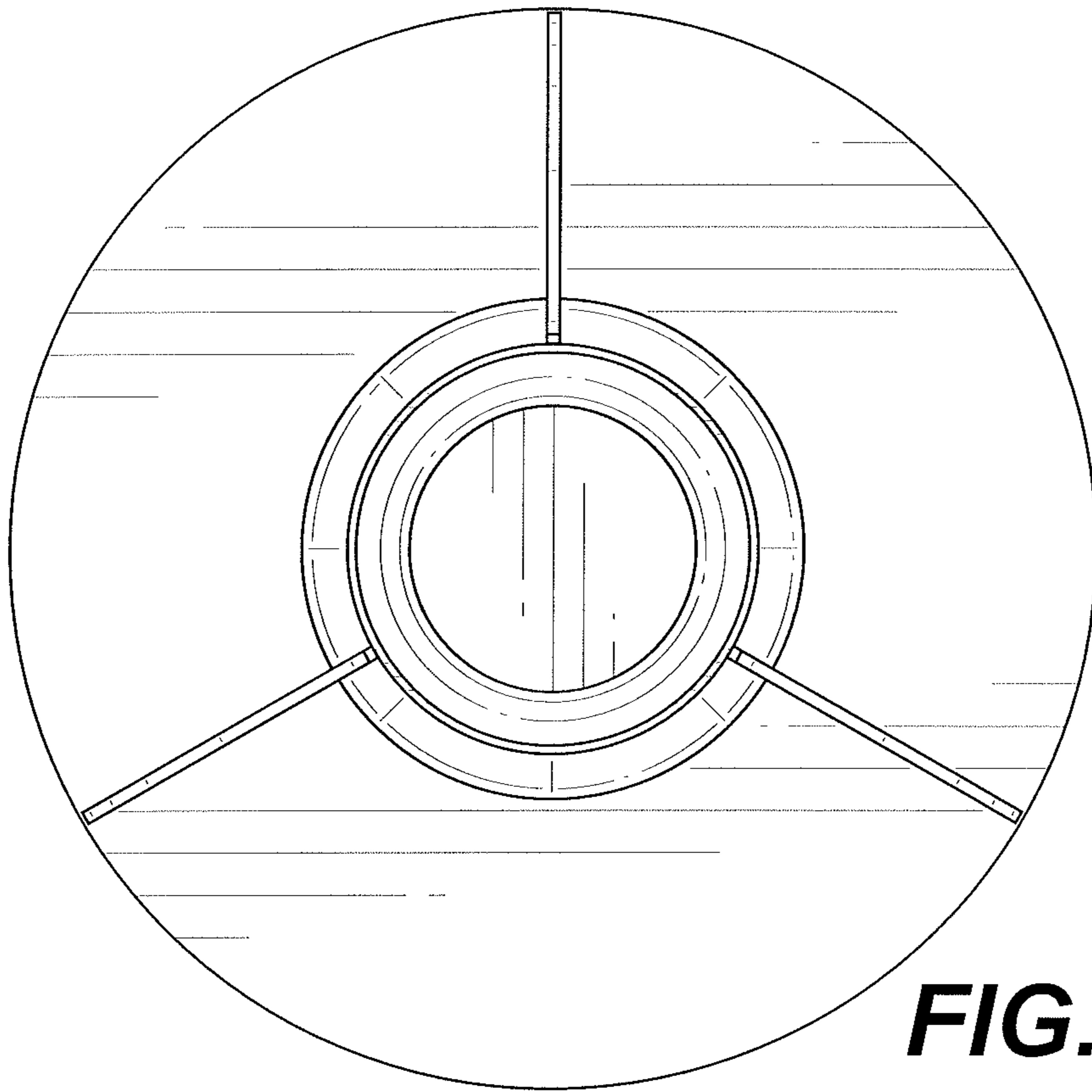


FIG. 5

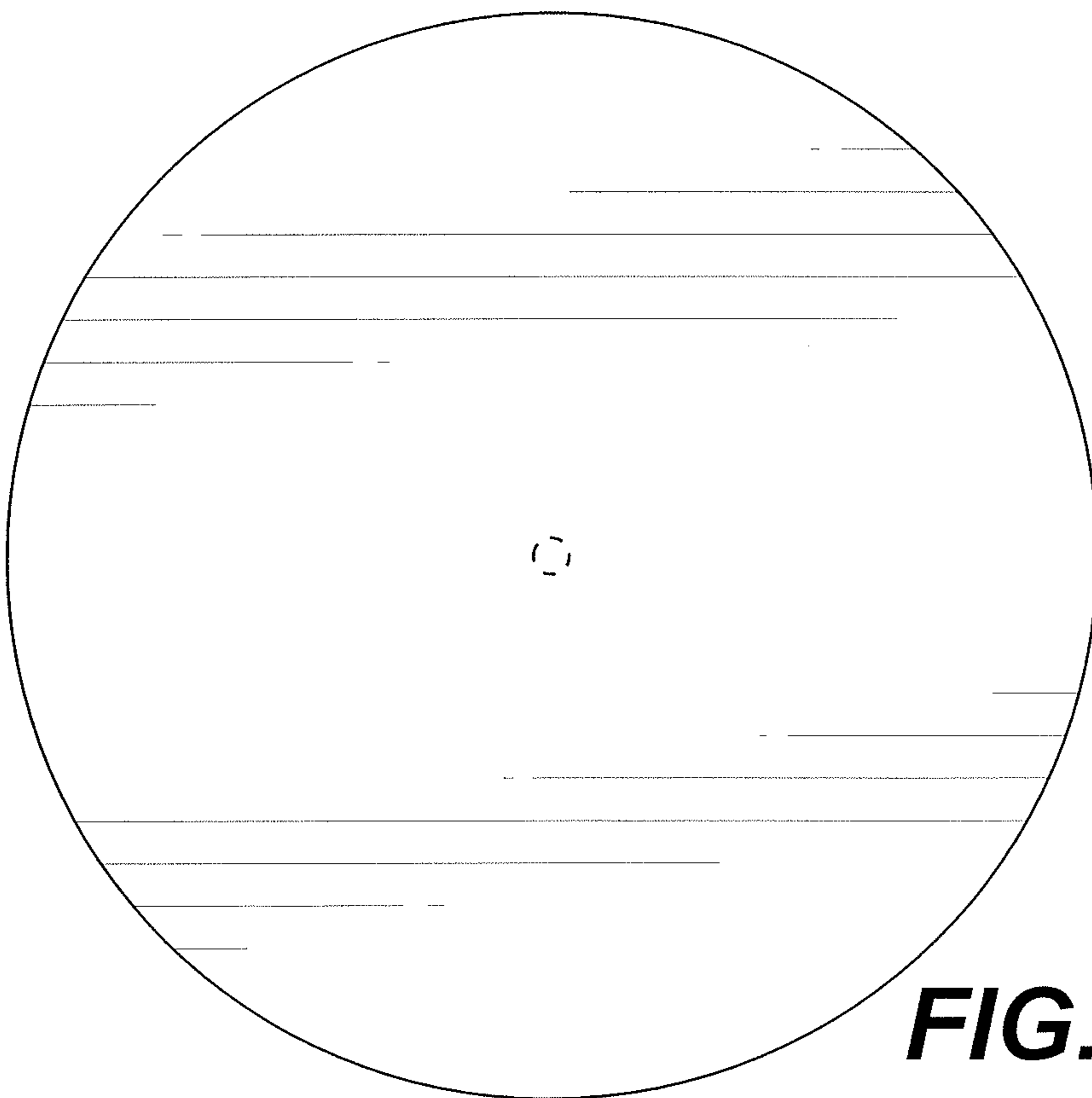


FIG. 6

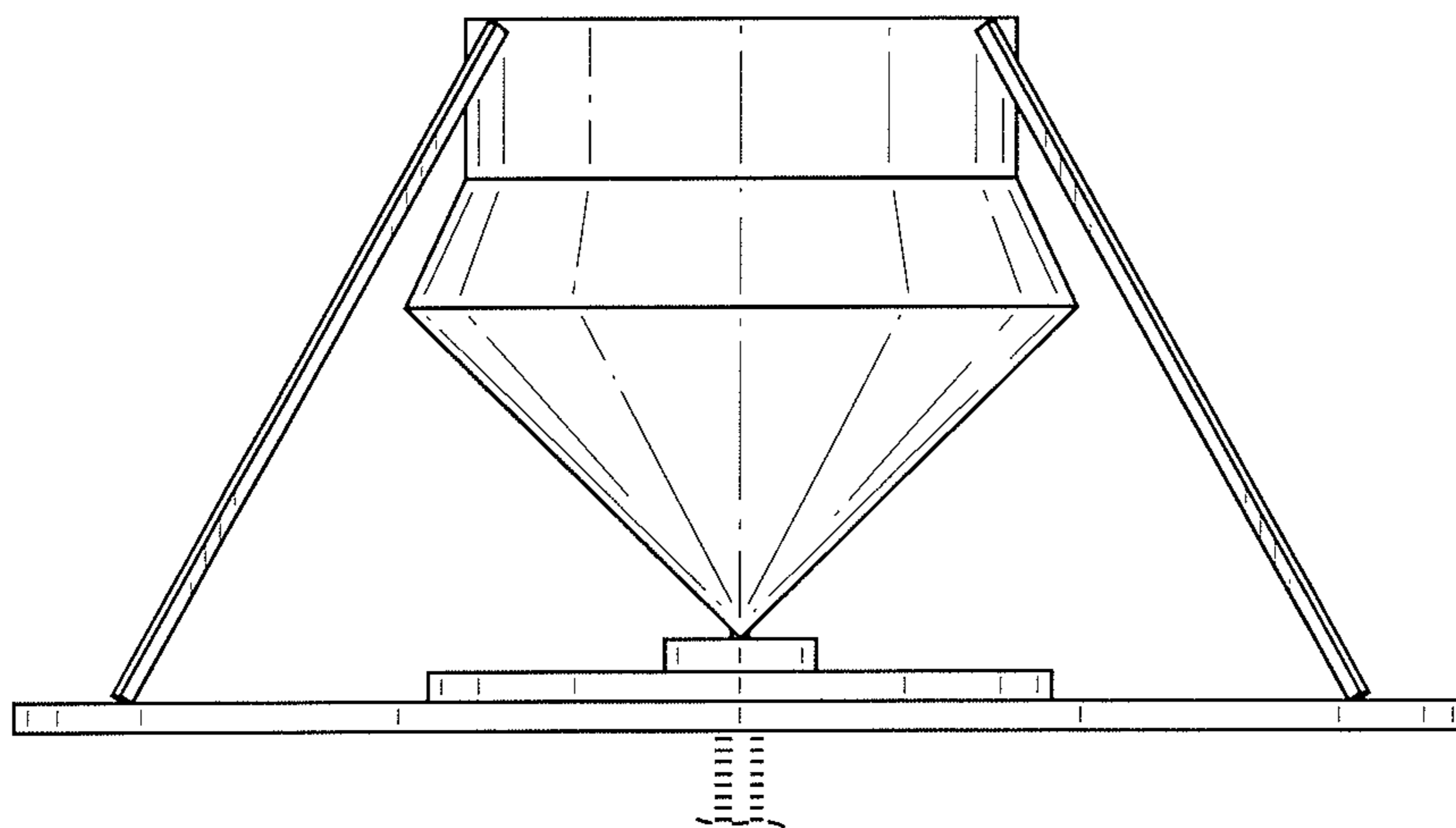


FIG. 7

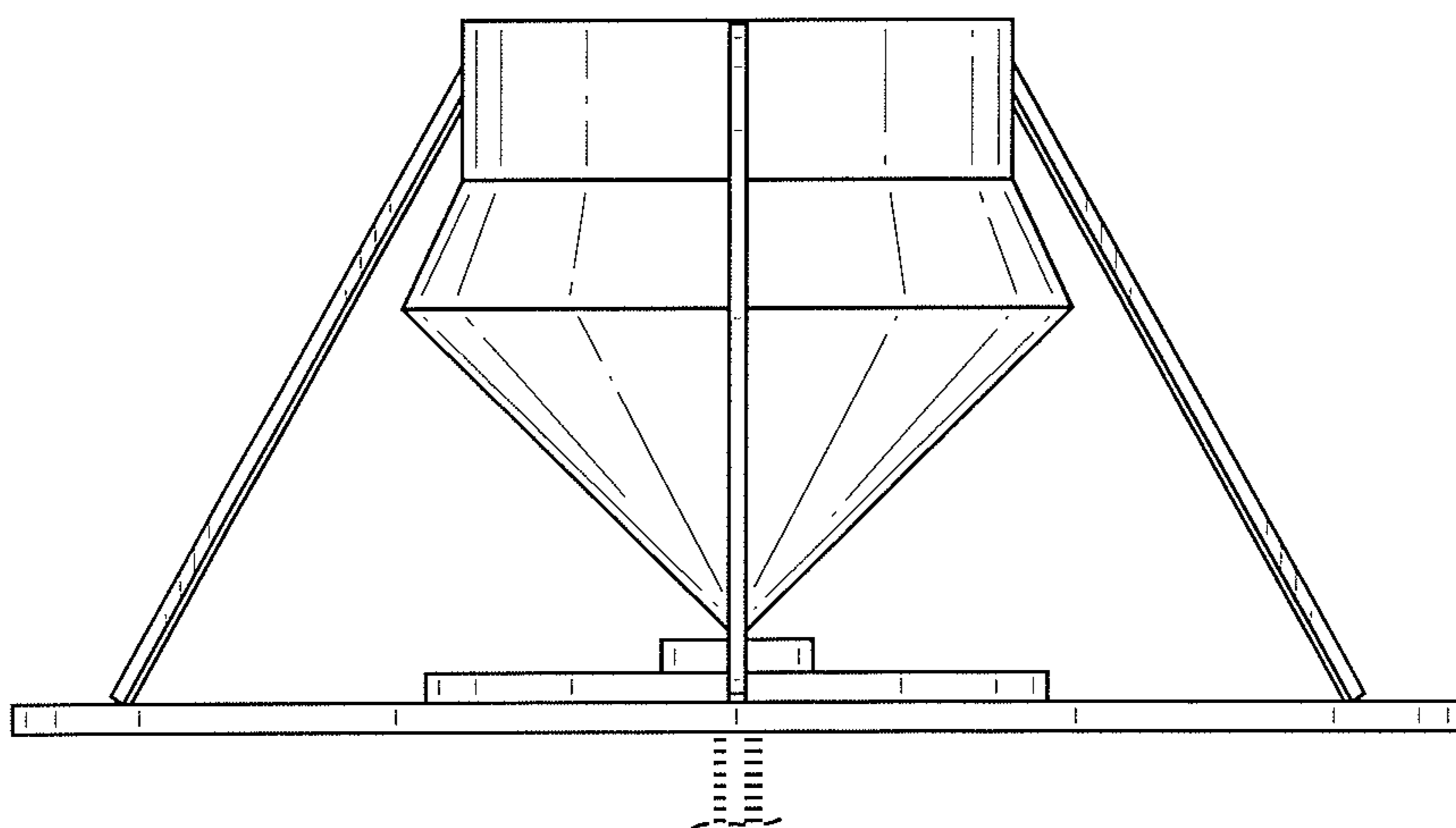


FIG. 8