



US00D891402S

(12) **United States Design Patent**
Yoshino

(10) **Patent No.:** **US D891,402 S**
(45) **Date of Patent:** **** Jul. 28, 2020**

- (54) **MICROPHONE WINDSCREEN**
- (71) Applicant: **Audio-Technica Corporation**, Tokyo (JP)
- (72) Inventor: **Satoshi Yoshino**, Tokyo (JP)
- (73) Assignee: **Audio-Technica Corporation**, Tokyo (JP)
- (**) Term: **15 Years**
- (21) Appl. No.: **29/651,826**
- (22) Filed: **Apr. 11, 2019**
- (30) **Foreign Application Priority Data**
Oct. 12, 2018 (JP) 2018-022464
- (51) **LOC (12) Cl.** **14-01**
- (52) **U.S. Cl.**
USPC **D14/228**; D14/225
- (58) **Field of Classification Search**
USPC D14/228, 225, 227, 229; D19/36;
D28/88; D9/520; 181/158, 196, 126,
181/242, 202, 160, 129, 13, 135;
273/290; 434/159; D13/199; 455/550.1,
455/575.1, 569.1, 90.3; D24/174;
128/864, 865, 866
CPC H04R 11/04; H04R 25/00; H04R 1/02;
H04R 19/04; H04R 1/20; H04R 9/00;
G09B 19/00
See application file for complete search history.

- (56) **References Cited**
U.S. PATENT DOCUMENTS
1,504,216 A * 8/1924 Coryell A45D 40/06
401/78
2,044,422 A * 6/1936 Davidson A47F 5/112
40/538
2,493,892 A * 1/1950 McPhee B43K 21/003
401/97

- 2,579,162 A * 12/1951 Veneklasen H04R 19/04
381/174
- 2,584,908 A * 2/1952 Oblinger B41K 1/006
101/333
- D173,367 S * 11/1954 McVay D14/228
- 2,910,539 A * 10/1959 Hartsfield H04R 19/04
381/174
- D190,864 S * 7/1961 Deschamps D14/228
- 3,007,012 A * 10/1961 Olson H04R 19/04
381/357
- 3,201,530 A * 8/1965 Levy H04R 1/08
381/91

(Continued)

FOREIGN PATENT DOCUMENTS

- GB 6058800 * 4/2019
- Primary Examiner* — Paula Allen Greene
- (74) *Attorney, Agent, or Firm* — W&C IP

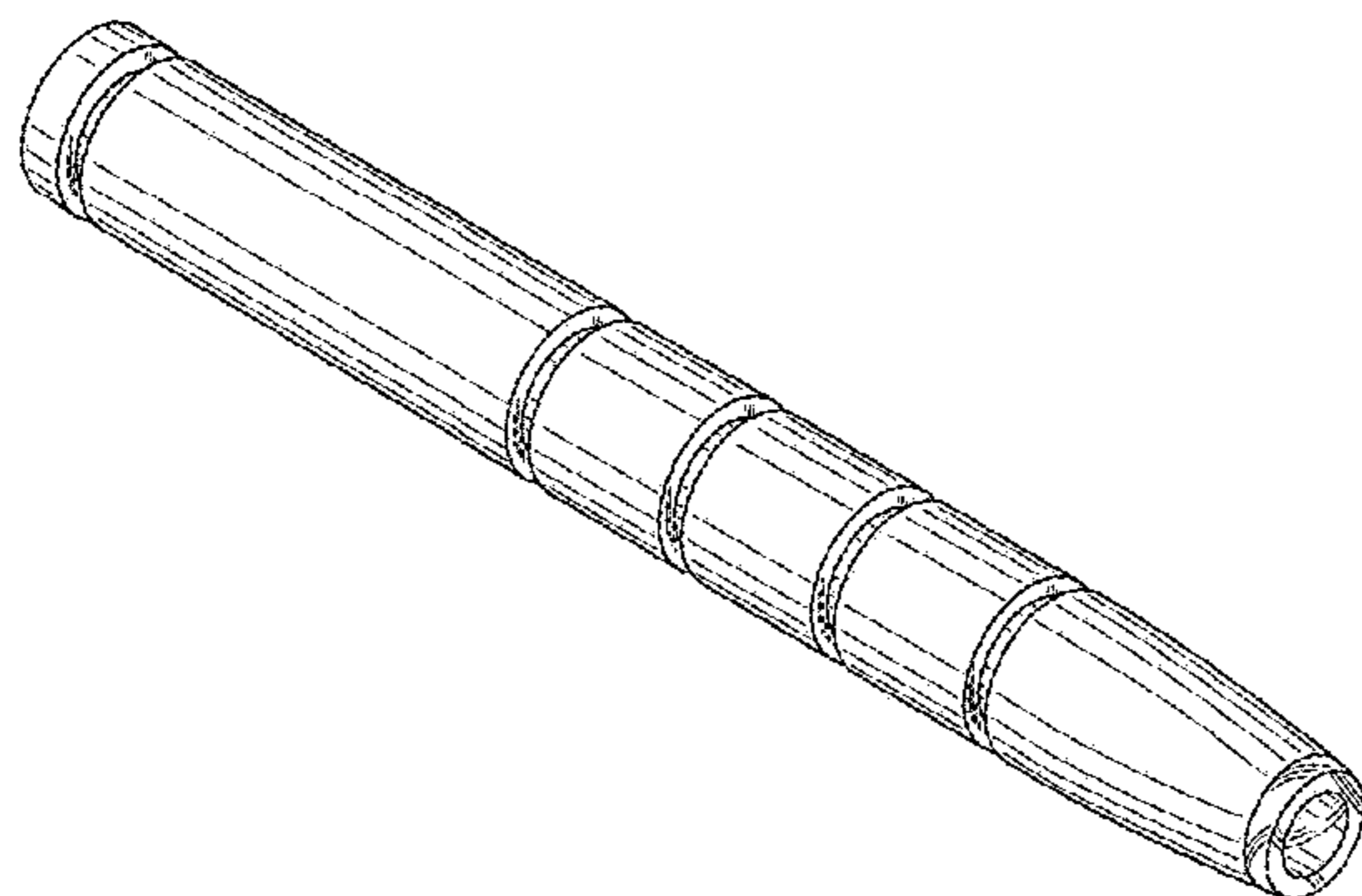
(57) **CLAIM**

The ornamental design for a microphone windscreen, as shown and described.

DESCRIPTION

FIG. 1 is a perspective view of a microphone windscreen; FIG. 2 is a front elevational view of the microphone windscreen, a rear elevational view of the microphone windscreen being mirror symmetrical to the front elevational view; FIG. 3 is a top plan view of the microphone windscreen, a bottom plan view of the microphone windscreen being mirror symmetrical to the top plan view; FIG. 4 is a right side elevational view of the microphone windscreen; FIG. 5 is a left side elevational view of the microphone windscreen; and, FIG. 6 is a sectional view of the microphone windscreen taken along line 6-6 of FIG. 3.

1 Claim, 6 Drawing Sheets



US D891,402 S

(56)

References Cited

U.S. PATENT DOCUMENTS

3,338,215 A * 8/1967 Chiu et al. B43K 21/003
401/82

3,436,495 A * 4/1969 Gorike H04R 1/08
381/361

3,459,902 A * 8/1969 Warning H04R 1/222
381/357

3,560,668 A * 2/1971 Warning H04R 1/222
381/360

D230,280 S * 2/1974 Nygard D24/174

3,806,128 A * 4/1974 Endfield A63F 3/00697
273/290

3,859,140 A * 1/1975 Schmidt H01M 2/105
429/99

3,898,009 A * 8/1975 Christensen B43K 21/003
401/57

D249,591 S * 9/1978 Mijares, Jr. D28/65

4,117,275 A * 9/1978 Miyanaga H04R 1/222
381/174

4,194,096 A * 3/1980 Ramsey H04R 1/08
381/363

4,258,235 A * 3/1981 Watson H04R 19/04
381/174

D278,625 S * 4/1985 Mathiasen D14/228

4,546,950 A * 10/1985 Cech F16F 1/46
211/60.1

4,685,137 A * 8/1987 Watson H04R 1/38
381/174

4,789,044 A * 12/1988 Akino H04R 1/38
181/158

4,836,110 A * 6/1989 Burczynski F42B 12/34
102/501

D366,045 S * 1/1996 Hirschhorn D14/209

5,675,660 A * 10/1997 Townsend H04R 1/086
381/189

D387,770 S * 12/1997 Liao D14/227

D395,894 S * 7/1998 Hern D14/227

D396,715 S * 8/1998 Konomi D14/142

6,131,616 A * 10/2000 Tatsuta F16L 11/11
138/110

D444,143 S * 6/2001 Andreini D14/228

D447,470 S * 9/2001 Obata D14/167

D449,040 S * 10/2001 Weikel D14/227

6,418,229 B1 * 7/2002 Staat H04R 1/326
181/158

D464,040 S * 10/2002 Beraut D14/225

D479,227 S * 9/2003 Marshall D14/228

6,757,399 B1 * 6/2004 Cheng H04R 1/083
381/174

D497,156 S * 10/2004 Bauman D14/225

D518,727 S * 4/2006 Haley D22/116

7,050,597 B2 * 5/2006 Akino H04R 1/38
381/174

7,106,869 B2 * 9/2006 Kanda H04R 19/04
381/174

D532,372 S * 11/2006 Keating D13/108

D541,412 S * 4/2007 Benner D24/106

D545,895 S * 7/2007 Okutani D19/117

7,264,081 B2 * 9/2007 Bruck A61F 11/08
181/135

D570,644 S * 6/2008 Smith D7/395

D586,333 S * 2/2009 Tkachuk D14/223

D589,028 S * 3/2009 Haapapuro D14/206

D595,837 S * 7/2009 Benner D24/106

D602,009 S * 10/2009 Perri D14/225

7,769,408 B2 * 8/2010 Hansson H04M 1/0285
455/550.1

7,813,516 B1 * 10/2010 Graber H04R 3/12
381/182

D628,993 S * 12/2010 Steyn D14/225

D639,280 S * 6/2011 Hayes D14/223

D644,625 S * 9/2011 Iseki D14/206

D656,922 S * 4/2012 Massaro D14/223

D678,253 S * 3/2013 Lee D14/225

D694,221 S * 11/2013 Shears D14/225

D763,234 S * 8/2016 Hara D14/225

D781,268 S * 3/2017 Magi D14/223

2013/0058520 A1 * 3/2013 Paye H04R 1/02
381/388

* cited by examiner

FIG. 1

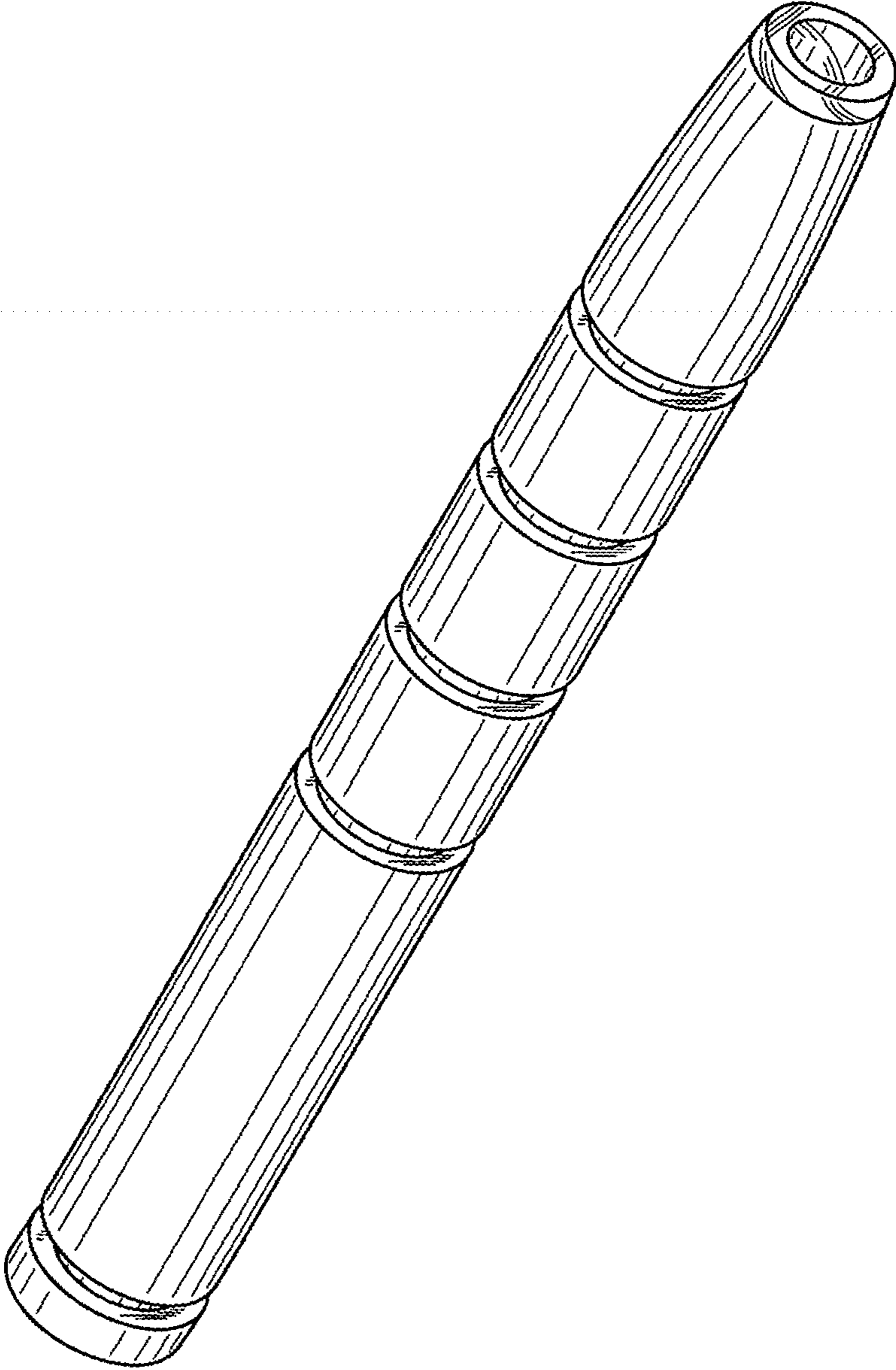
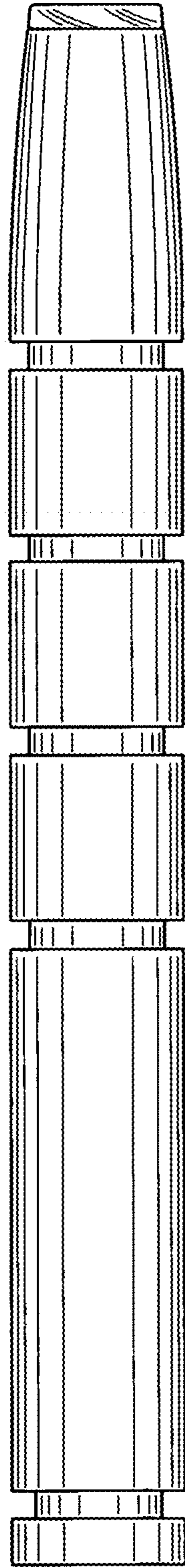


FIG. 2



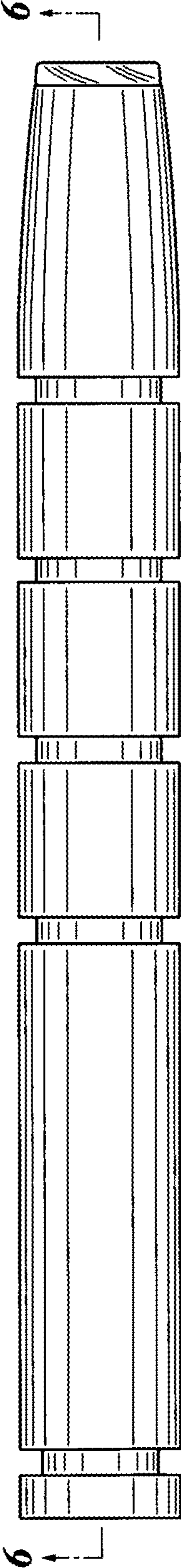


FIG. 3

FIG. 4

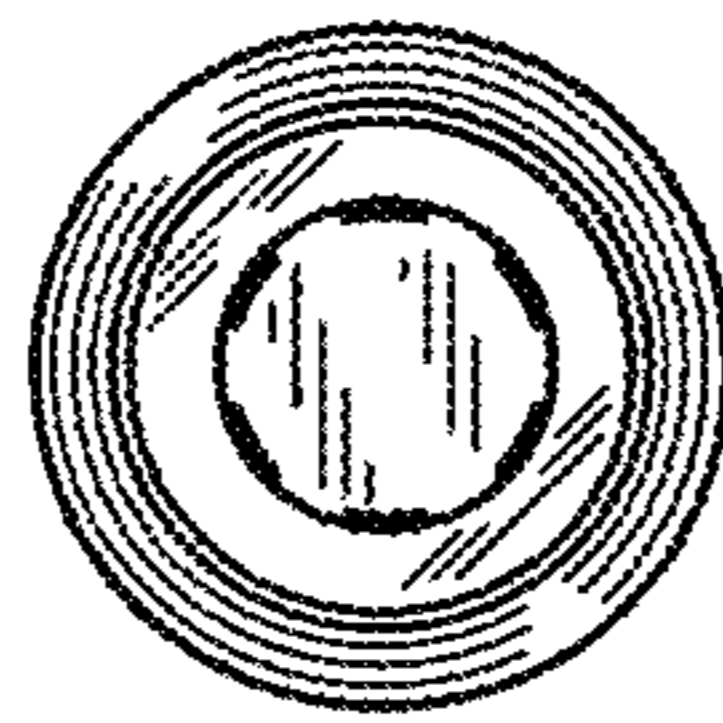


FIG. 5

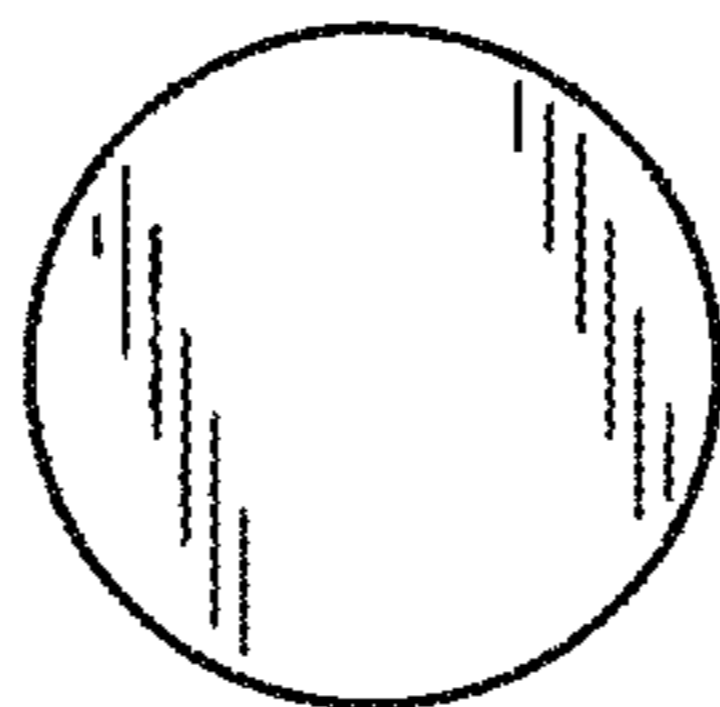


FIG. 6

