



US00D891401S

(12) **United States Design Patent**
Kawabata

(10) **Patent No.:** **US D891,401 S**

(45) **Date of Patent:** **** *Jul. 28, 2020**

(54) **EARPHONE**

(71) Applicant: **ONKYO CORPORATION**, Osaka
(JP)

(72) Inventor: **Tsutomu Kawabata**, Neyagawa (JP)

(73) Assignee: **Onkyo Corporation**, Osaka (JP)

(*) Notice: This patent is subject to a terminal disclaimer.

(**) Term: **15 Years**

(21) Appl. No.: **35/504,295**

(22) Filed: **Jul. 7, 2017**

(80) **Hague Agreement Data**

Int. Filing Date: **Jul. 7, 2017**
Int. Reg. No.: **DM/097044**
Int. Reg. Date: **Jul. 7, 2017**
Int. Reg. Pub. Date: **Jan. 12, 2018**

(51) **LOC (12) Cl.** **14-01**

(52) **U.S. Cl.**
USPC **D14/223**

(58) **Field of Classification Search**
USPC D14/204, 205, 206, 223, 224, 225, 249,
D14/372, 433, 138 R, 188, 192, 172,
D14/203.1, 191, 496; D24/174
CPC H04R 25/00; H04R 1/10; H04R 1/10016;
H04R 1/105; H04R 1/1083; H04R 1/02
See application file for complete search history.

(56) **References Cited**

U.S. PATENT DOCUMENTS

D543,968 S * 6/2007 Wong D14/205
D575,768 S * 8/2008 Wang D14/206
D617,780 S * 6/2010 Jaakkola D14/223
D641,011 S * 7/2011 Gondo D14/206
D647,889 S * 11/2011 Huang D14/223
D671,530 S * 11/2012 Yang D14/223
D695,275 S * 12/2013 Chee D14/223

D715,253 S * 10/2014 Lee D14/205
D716,273 S * 10/2014 Yamamoto D14/223
D727,871 S * 4/2015 Orbach D14/205
D732,508 S * 6/2015 Funayama D14/223
D755,159 S * 5/2016 Birger D14/206
D761,770 S * 7/2016 Kanou D14/206
D796,475 S * 9/2017 Wang D14/205
D800,703 S * 10/2017 Vaclavik D14/223
D803,816 S * 11/2017 Bolster D14/223
D809,486 S * 2/2018 Arimoto D14/223
D809,487 S * 2/2018 Lee D14/223
D810,720 S * 2/2018 Lee D14/205

(Continued)

FOREIGN PATENT DOCUMENTS

WO D096952-001 * 1/2018
WO D097044-001 * 1/2018

OTHER PUBLICATIONS

Tzumi Sport Series Wireless Earbuds, announced 2018 [online],
[retrieved Nov. 2018]. Available from Internet, URL: <<http://www.superfectarecordings.com/>> (Year: 2018).*

(Continued)

Primary Examiner — Barbara Fox
Assistant Examiner — Dana K Weiland
(74) *Attorney, Agent, or Firm* — Renner Otto

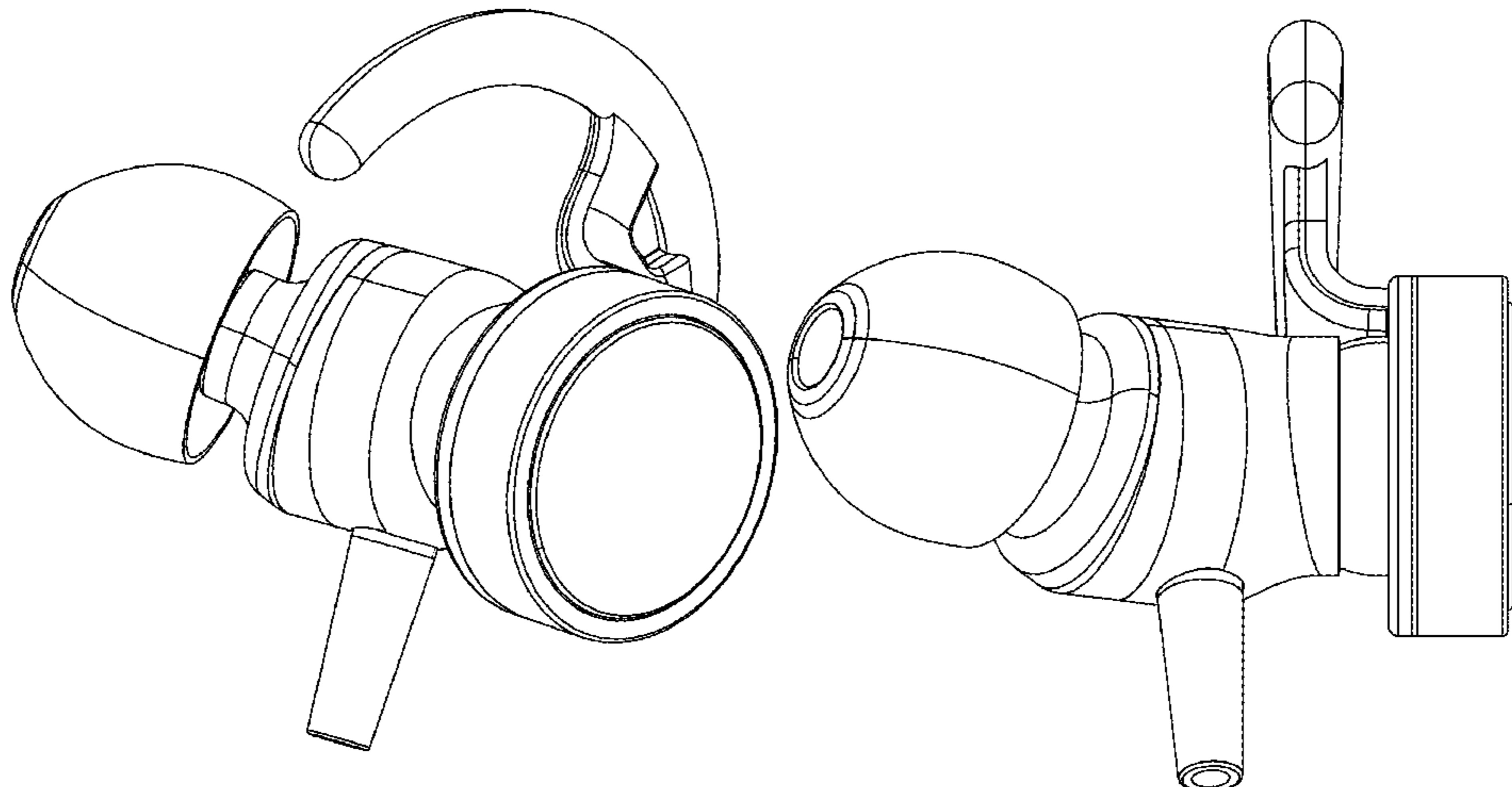
(57) **CLAIM**

The ornamental design for an earphone, as shown and described.

DESCRIPTION

- 1. Earphone
- 1.1 : Perspective
- 1.2 : Front
- 1.3 : Back
- 1.4 : Top
- 1.5 : Bottom
- 1.6 : Left
- 1.7 : Right

1 Claim, 7 Drawing Sheets



(56)

References Cited

U.S. PATENT DOCUMENTS

D816,637 S * 5/2018 Hardi D14/205
D817,305 S * 5/2018 Hsieh D14/206
D824,359 S * 7/2018 Czaniecki D14/205
D832,824 S * 11/2018 Kim D14/223
D838,693 S * 1/2019 Fu D14/223
2016/0261946 A1* 9/2016 Chen H04R 1/1016

OTHER PUBLICATIONS

Which are the best headphones available in India for running?,
announced Jan. 27, 2017 [online], [retrieved Nov. 2018]. Available
from Internet, URL: <<https://www.quora.com/Which-are-the-best-headphones-available-in-India-for-running>> (Year: 2017).*

True Wireless headphones with microphone and charging case,
announced 2017 [online], [retrieved Nov. 2018]. <<http://www.onkyo-headphones.com/en/headphones/in-ear/w800bt.html>> (Year: 2017).*

* cited by examiner

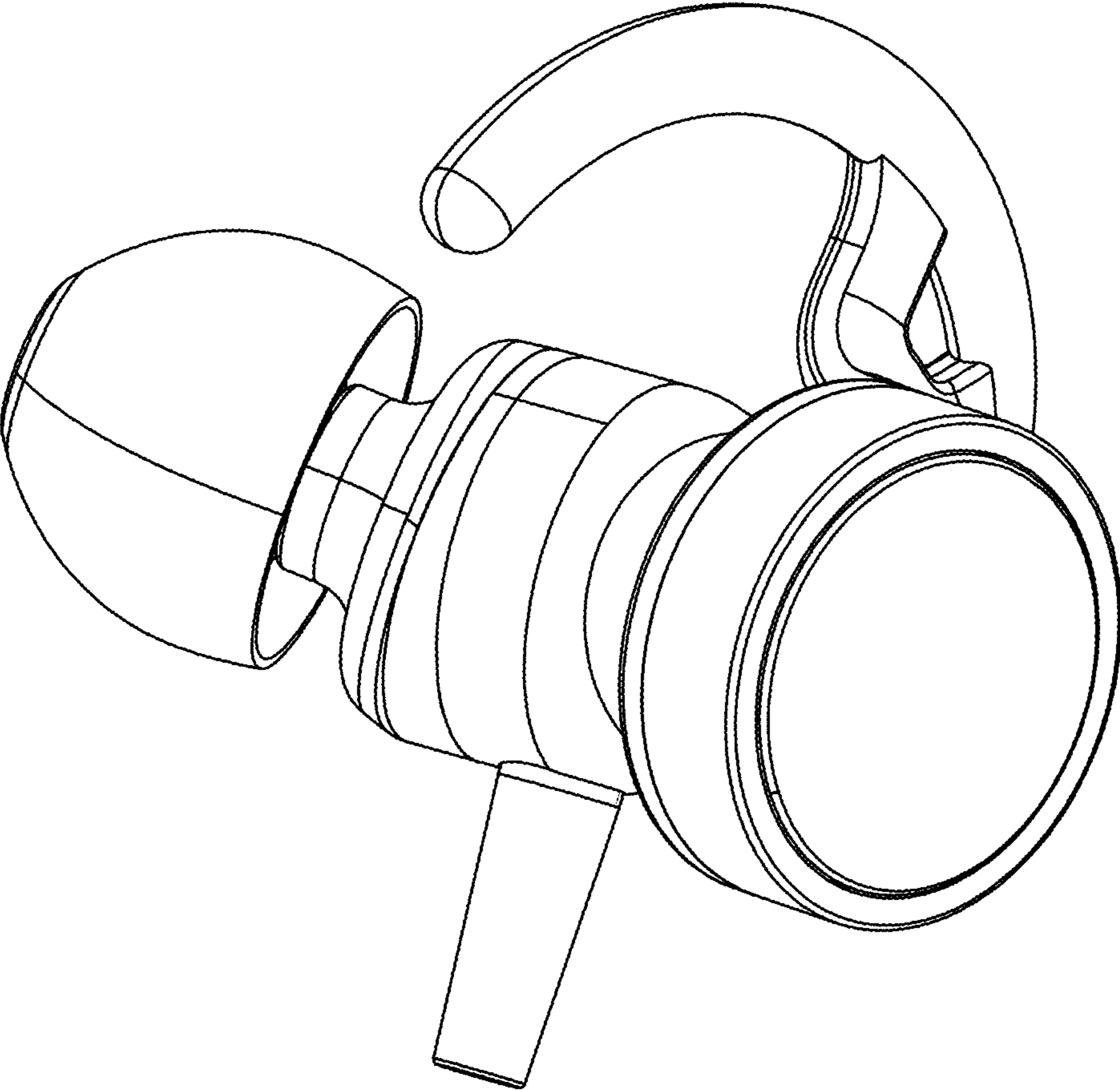


Fig. 1.1

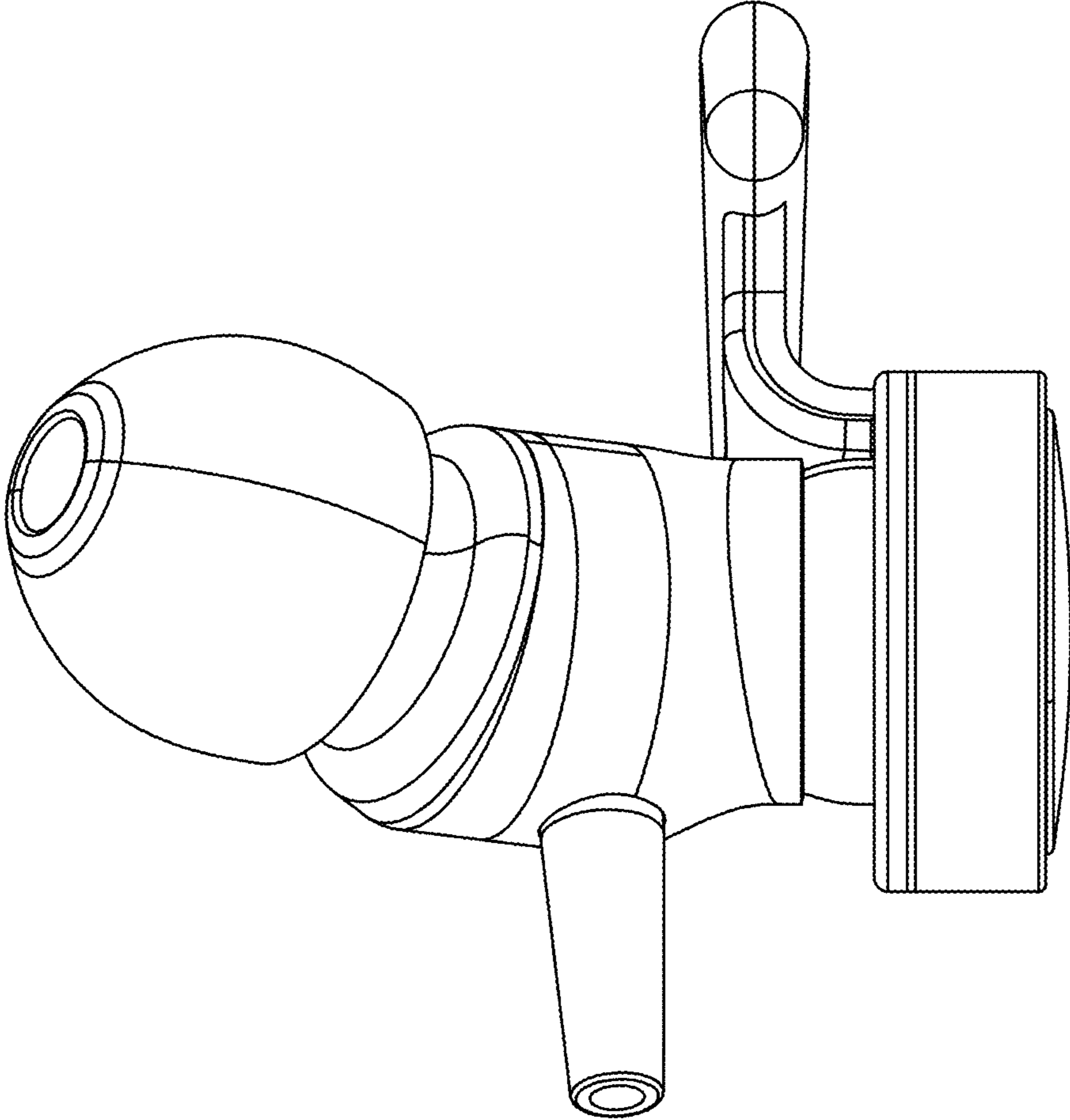


Fig. 1.2

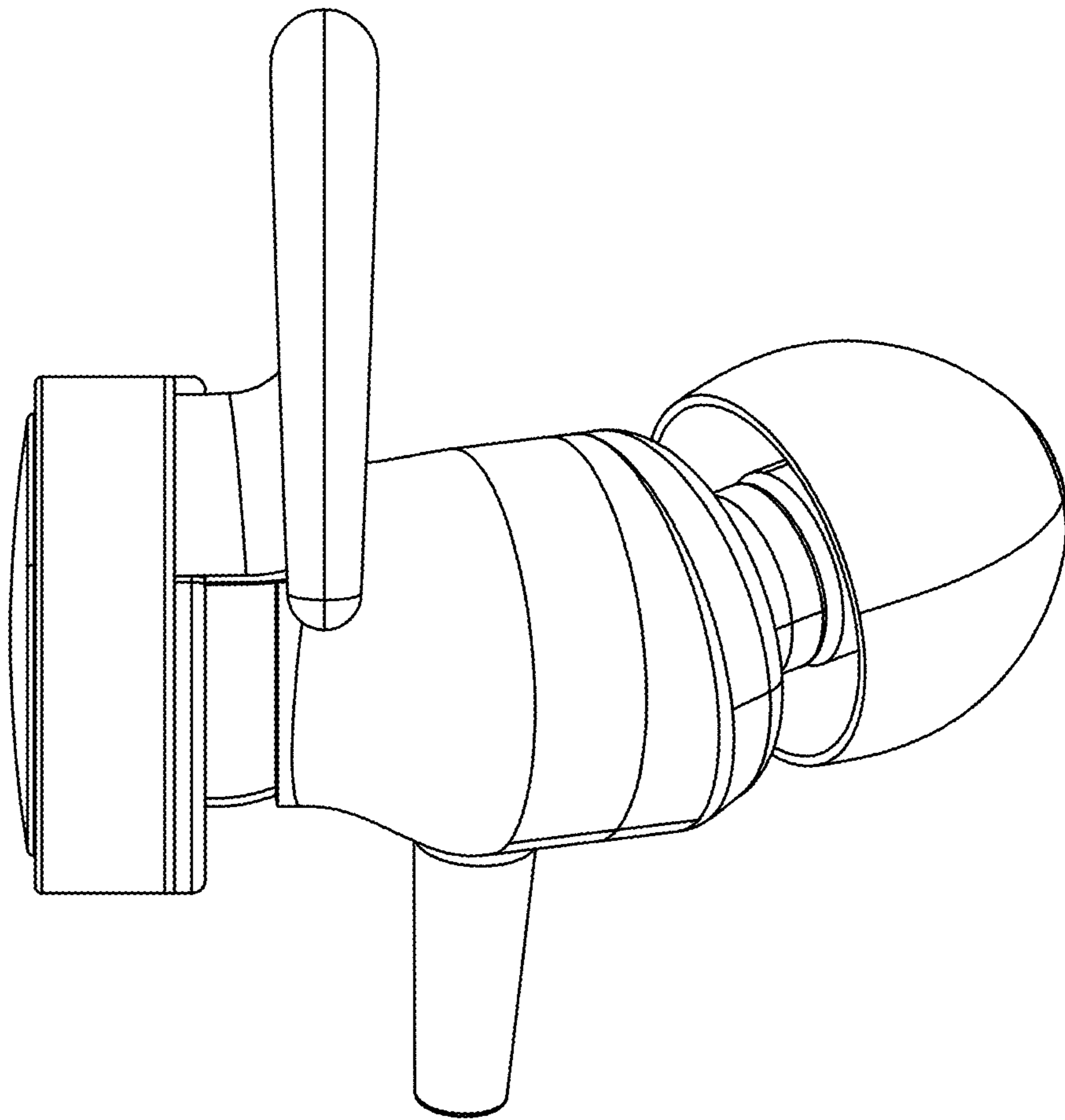


Fig. 1.3

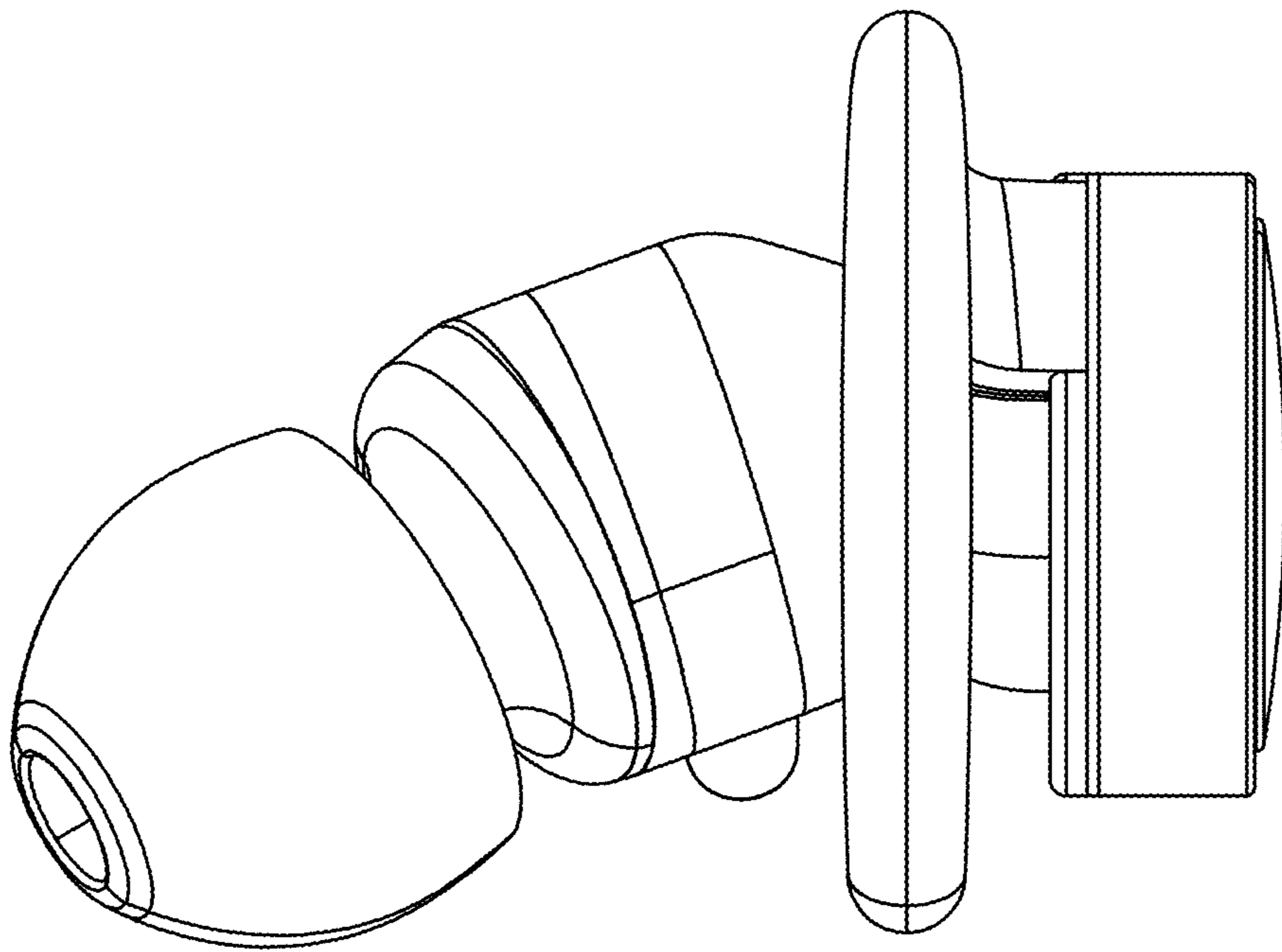


Fig. 1.4

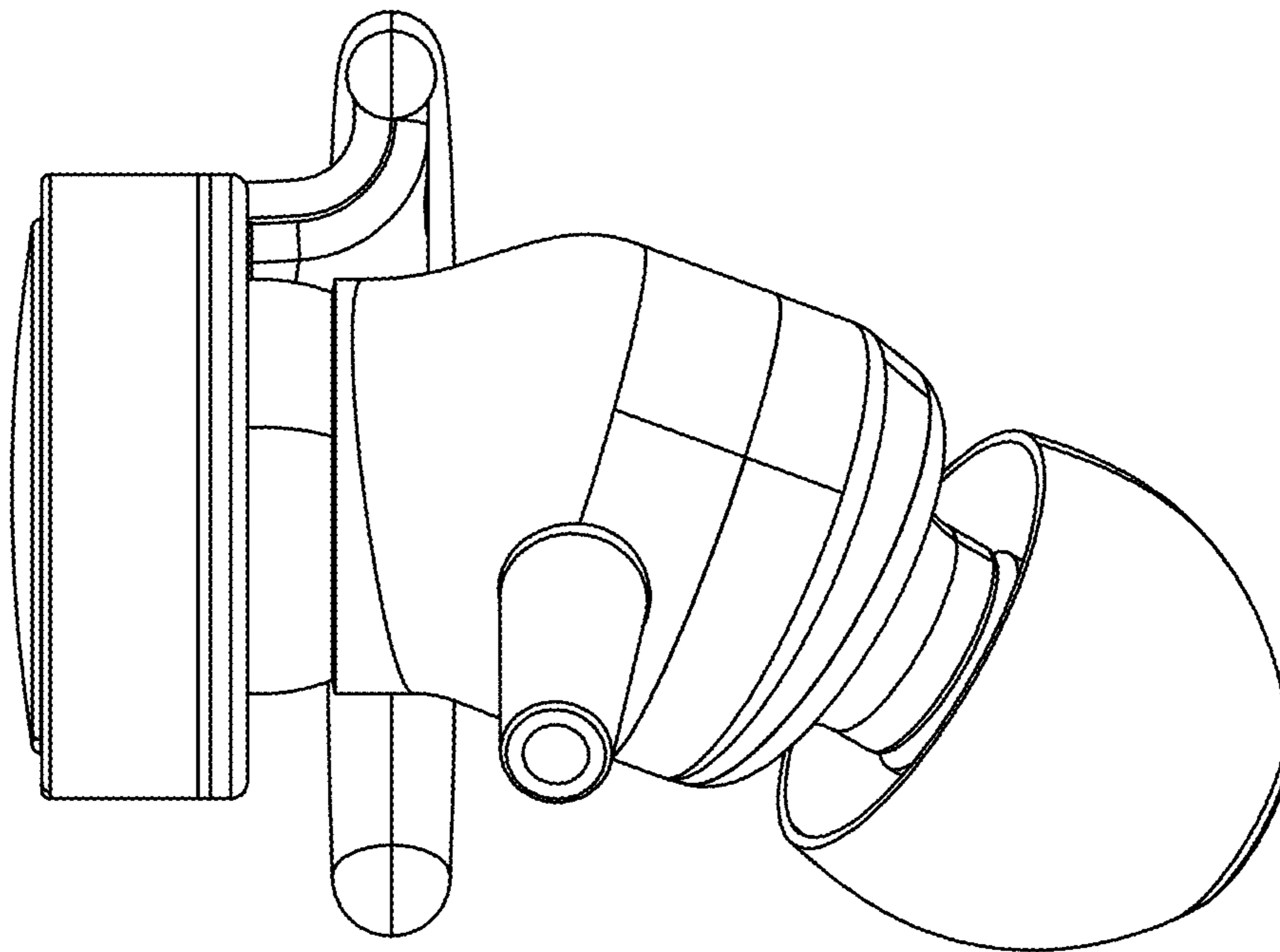


Fig. 1.5

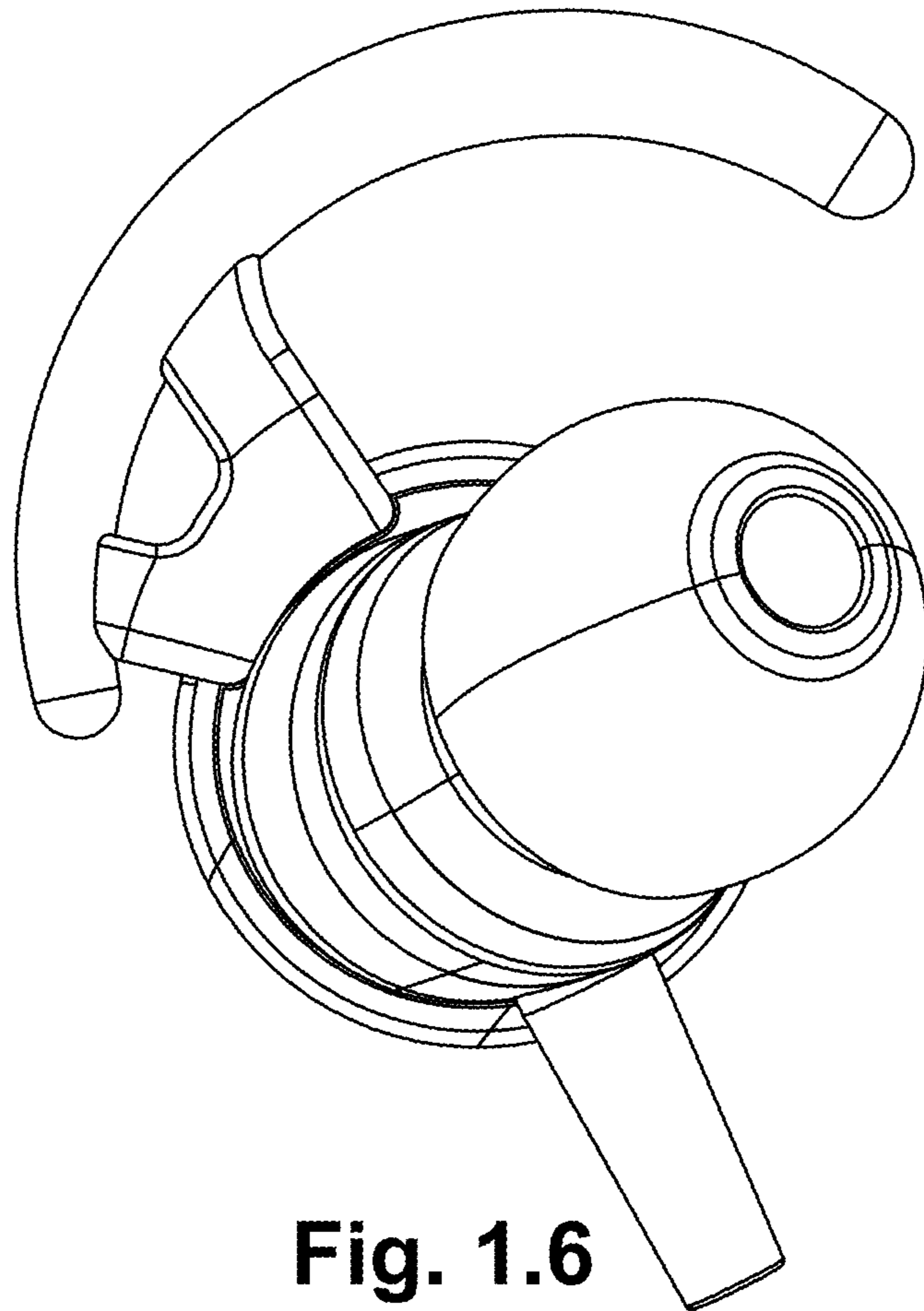


Fig. 1.6

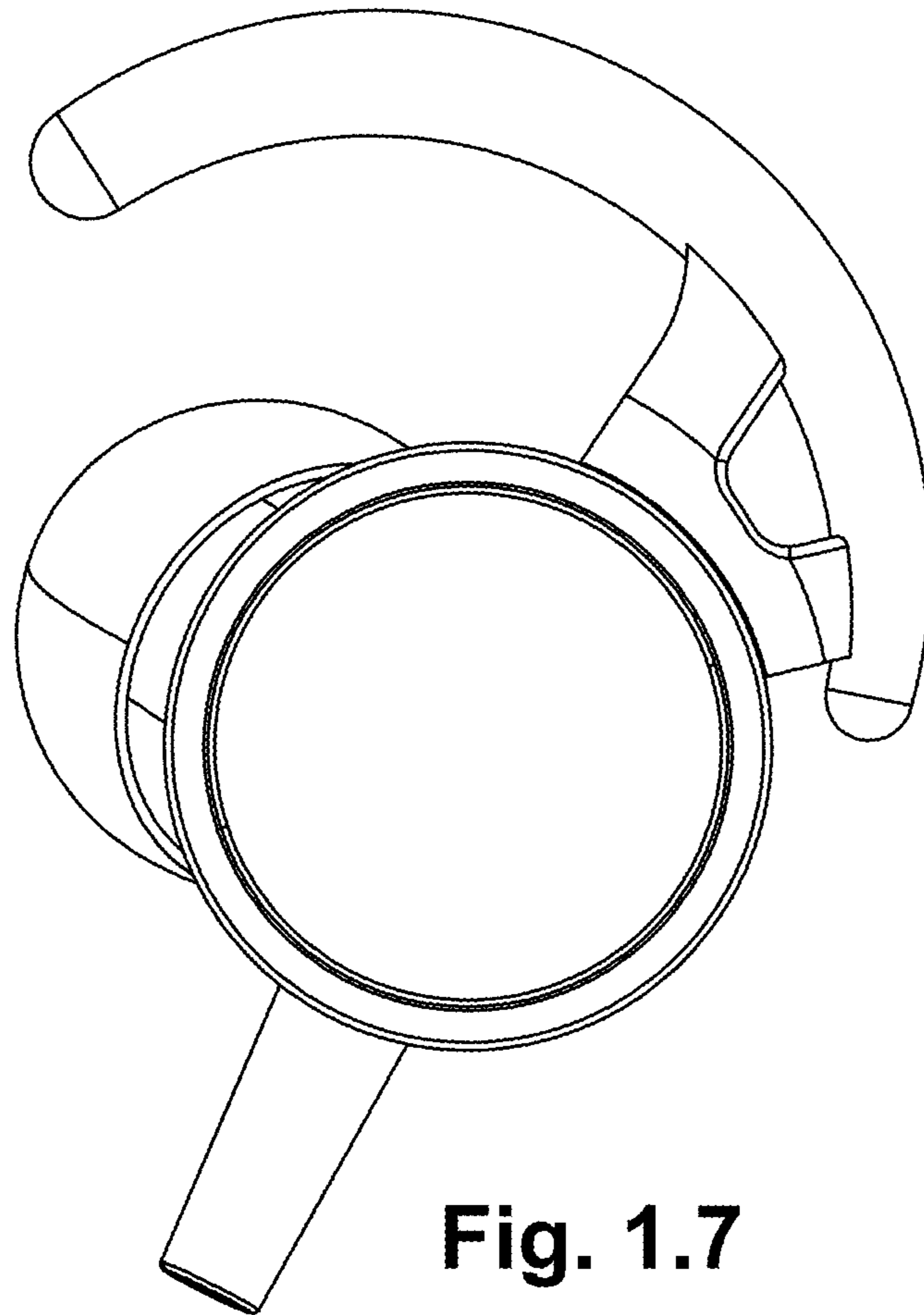


Fig. 1.7