



US00D891400S

(12) **United States Design Patent**
Waterman et al.

(10) **Patent No.:** **US D891,400 S**
(45) **Date of Patent:** **** Jul. 28, 2020**

(54) **SPEAKER**

(71) Applicant: **Zigbee Pty Ltd**, Brisbane (AU)
(72) Inventors: **David Waterman**, Brisbane (AU);
Taisen Maddern, Brisbane (AU); **Scott Pringle**, Brisbane (AU)
(73) Assignee: **ZIGBEE PTY LTD.**, Brisbane (AU)
(**) Term: **15 Years**

(21) Appl. No.: **29/661,355**

(22) Filed: **Aug. 27, 2018**

(30) **Foreign Application Priority Data**

Feb. 27, 2018 (AU) 201811143

(51) **LOC (12) Cl.** **14-01**

(52) **U.S. Cl.**
USPC **D14/216**

(58) **Field of Classification Search**
USPC D14/167, 168, 170–172, 188, 194–196,
D14/204, 209.1, 210–216, 219, 221, 222,
D14/224, 239, 496
CPC B60R 11/0217; G06F 1/1688; G10K 9/22;
G10K 11/004; H03F 1/327; H04M 1/03;
H04M 1/035; H04N 5/642; H04N
21/4852; H04R 1/02; H04R 1/06; H04R
1/021; H04R 1/025; H04R 1/026; H04R
1/028; H04R 1/105; H04R 1/323; H04R
1/403; H04R 1/2803; H04R 1/2834;
H04R 5/02; H04R 7/20; H04R 9/06;
H04R 9/025; H04R 2201/021; H04R
2400/00; H04R 2400/07; H04R 2499/11;
H04R 2499/13; H04R 2499/15; H04S
3/00; H04S 7/30

See application file for complete search history.

(56) **References Cited**

U.S. PATENT DOCUMENTS

D436,943 S *	1/2001	Hayashi	D14/168
D555,636 S *	11/2007	Chen	D14/216
D729,395 S *	5/2015	Shinnick	D24/200
D742,358 S *	11/2015	Alves	D14/216
D798,268 S *	9/2017	Fang	D14/216
D803,813 S *	11/2017	Rouffiat	D14/216
D863,255 S *	10/2019	Wang	D14/214
D871,372 S *	12/2019	Wang	D14/216
D873,797 S *	1/2020	Liniado	D14/216

* cited by examiner

Primary Examiner — Keli L Hill

(74) *Attorney, Agent, or Firm* — DeLio Peterson & Curcio LLC; Thomas E. Ciesco

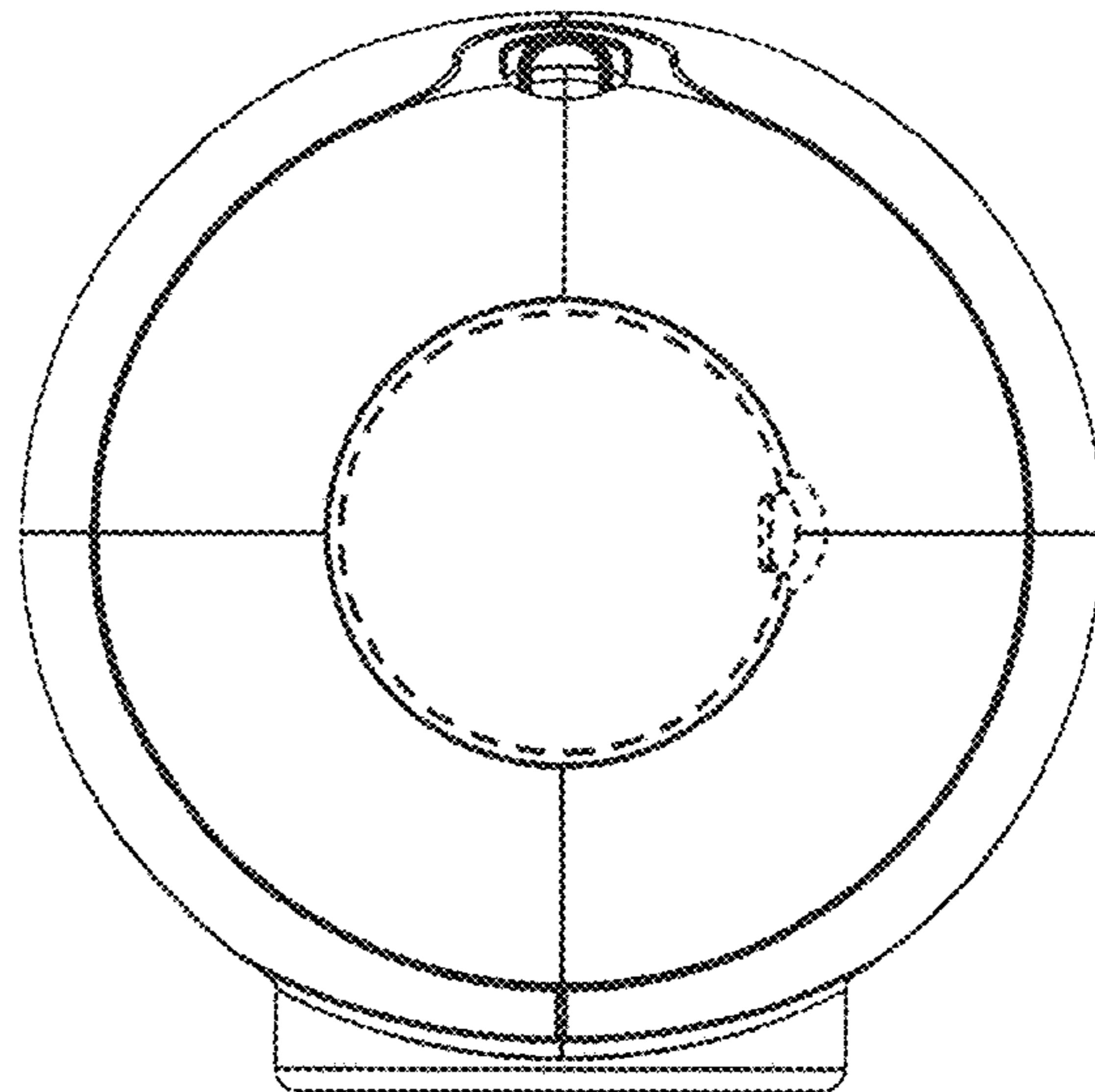
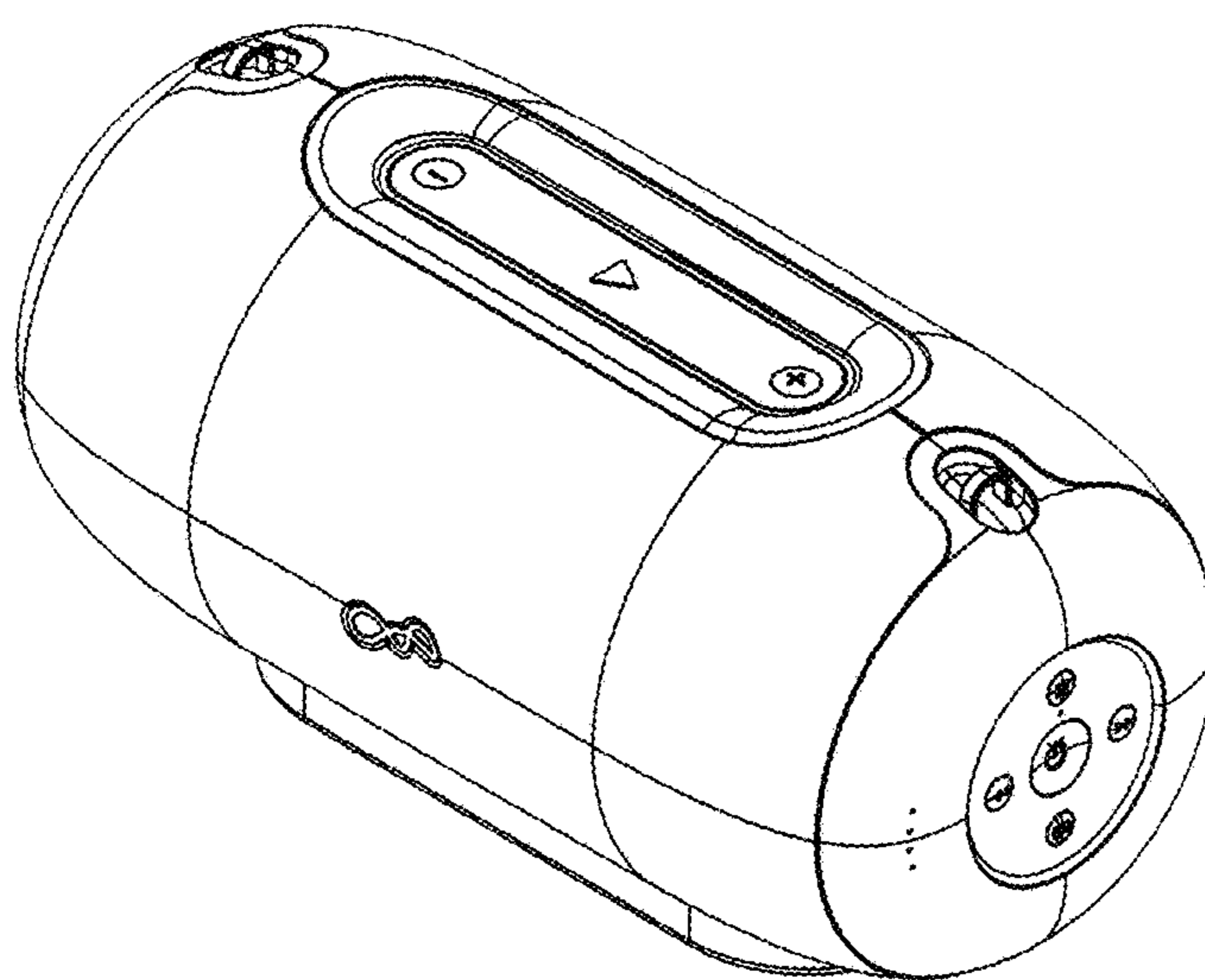
(57) **CLAIM**

The ornamental design for a “speaker,” as shown and described.

DESCRIPTION

FIG. 1 is a right front top perspective view of the “speaker” design according to our invention;
FIG. 2 is a front elevational view of the “speaker” shown in FIG. 1;
FIG. 3 is a rear elevational view of the “speaker” shown in FIG. 1;
FIG. 4 is a bottom plan view of the “speaker” shown in FIG. 1;
FIG. 5 is a left side elevational view of the “speaker” shown in FIG. 1;
FIG. 6 is a right side elevational view of the “speaker” shown in FIG. 1; and,
FIG. 7 is a top plan view of the “speaker” design shown in FIG. 1.
The broken lines shown are included for the purpose of illustrating portions of the speaker that form no part of the claim.

1 Claim, 7 Drawing Sheets



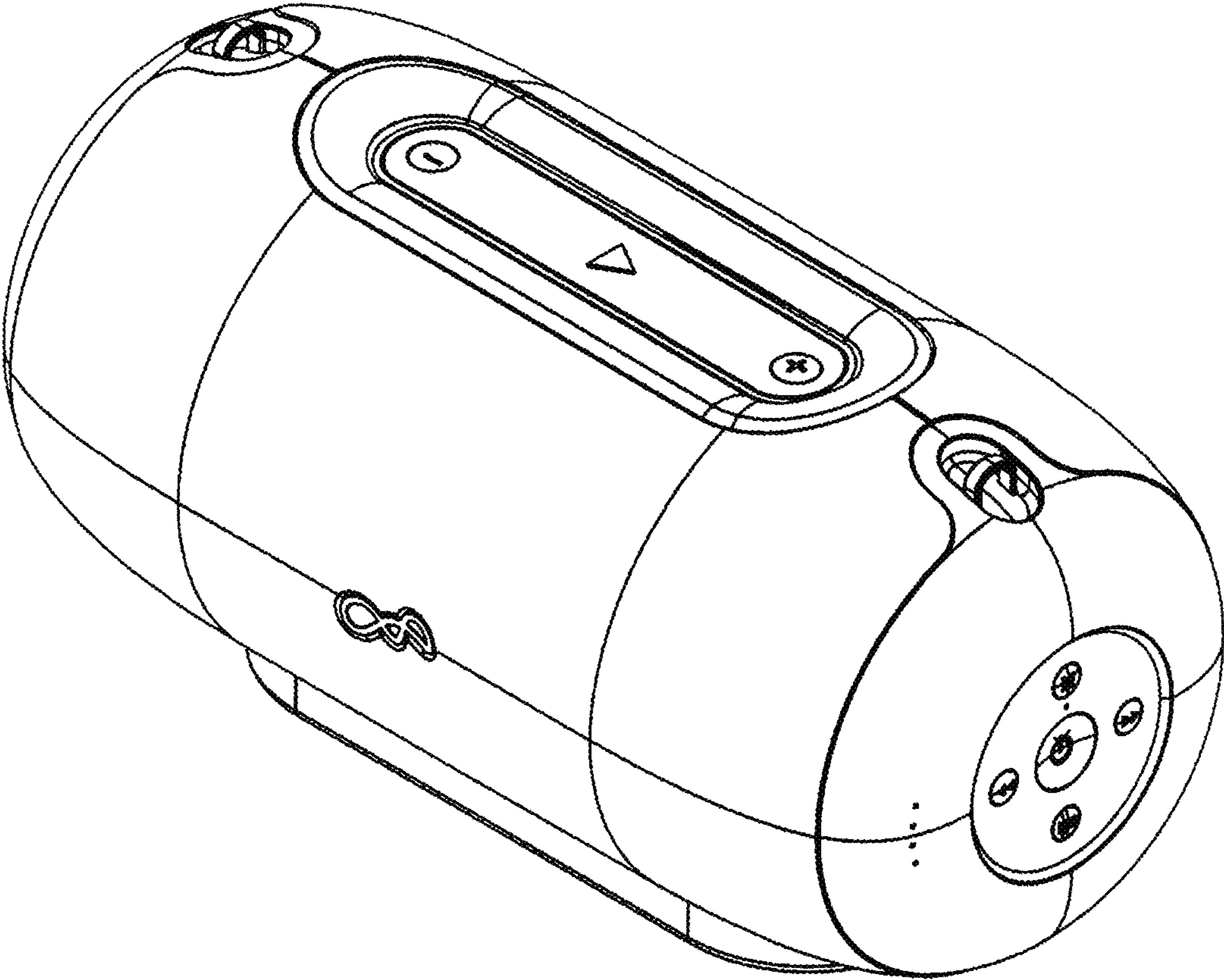


FIG. 1

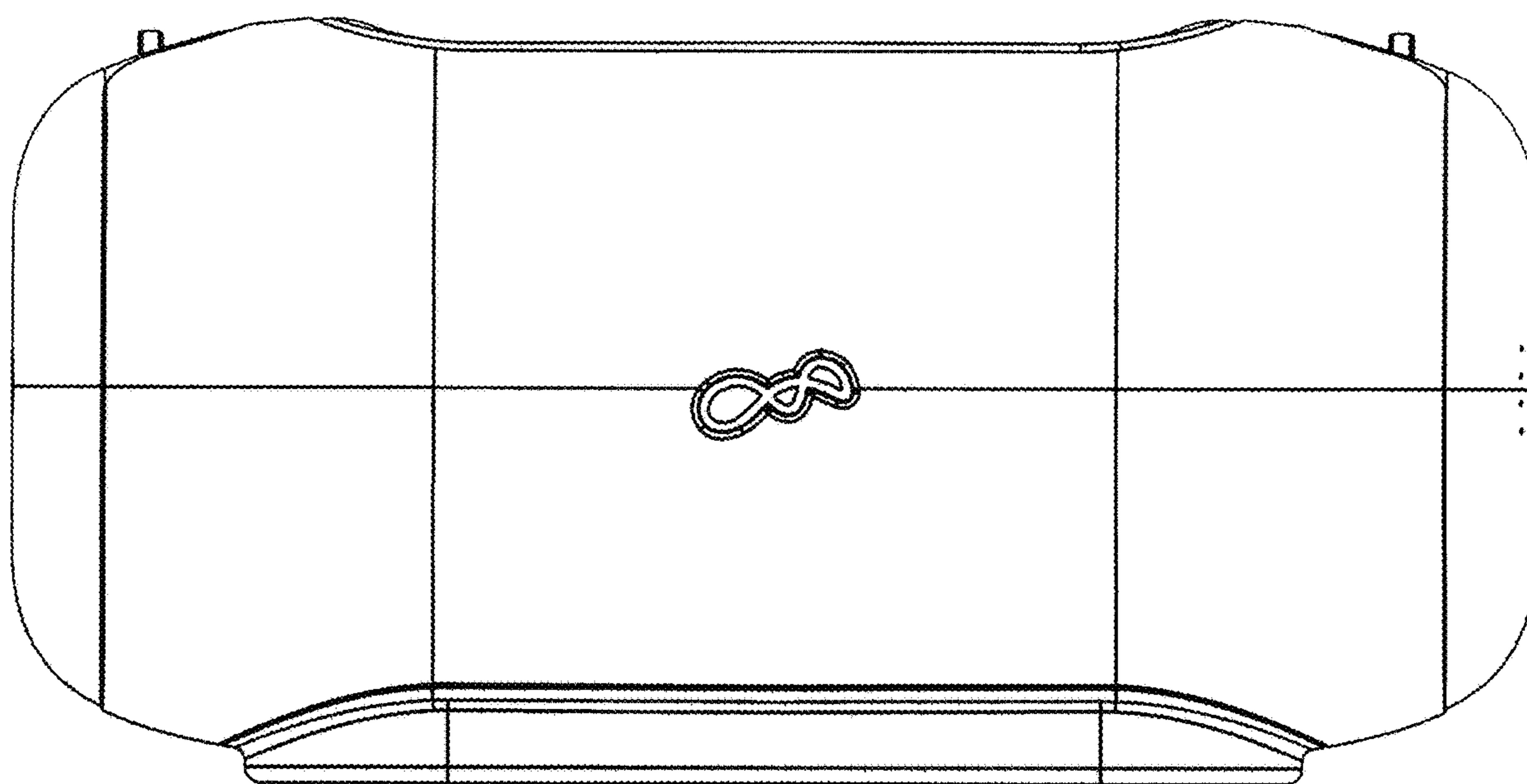


FIG. 2

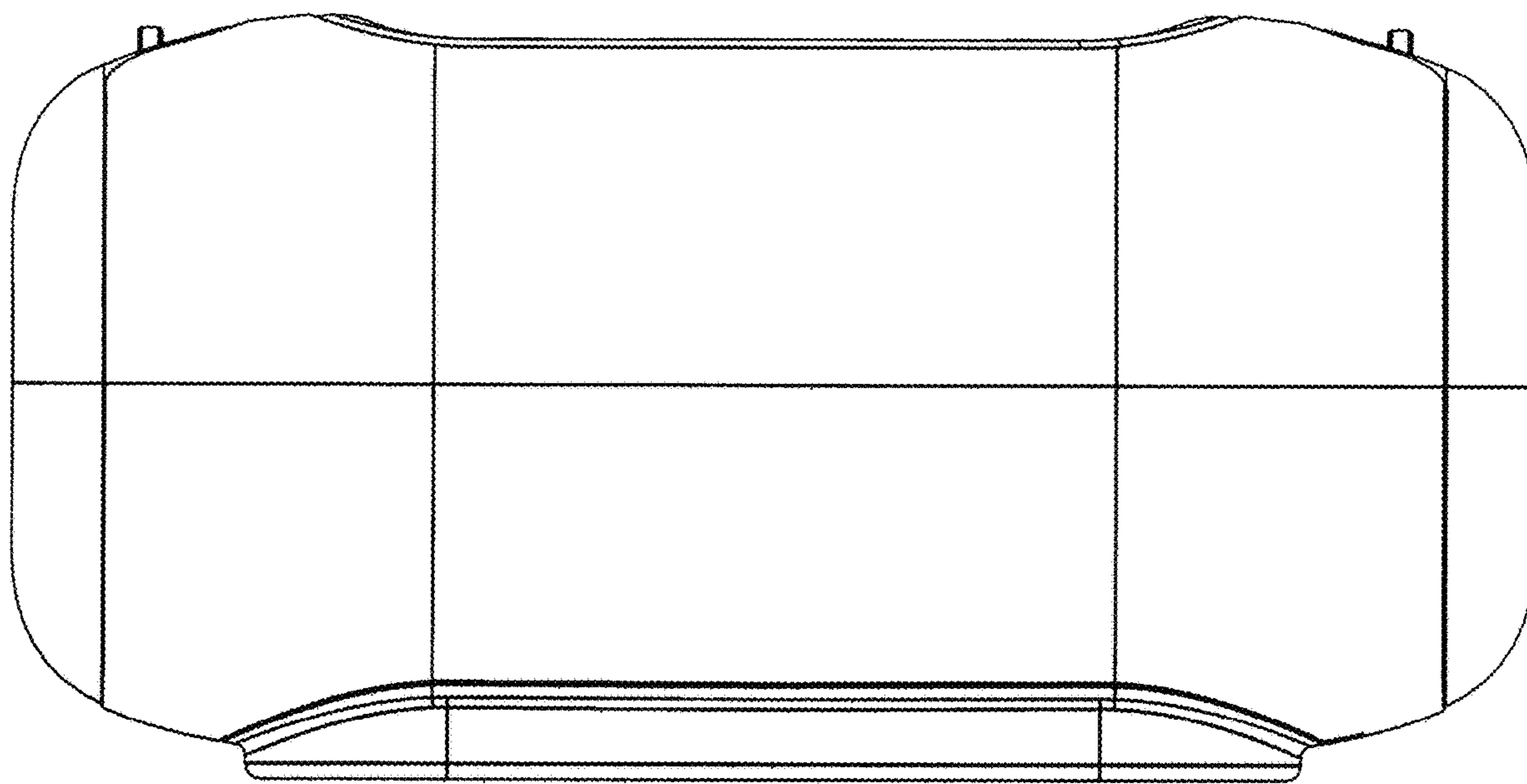


FIG. 3

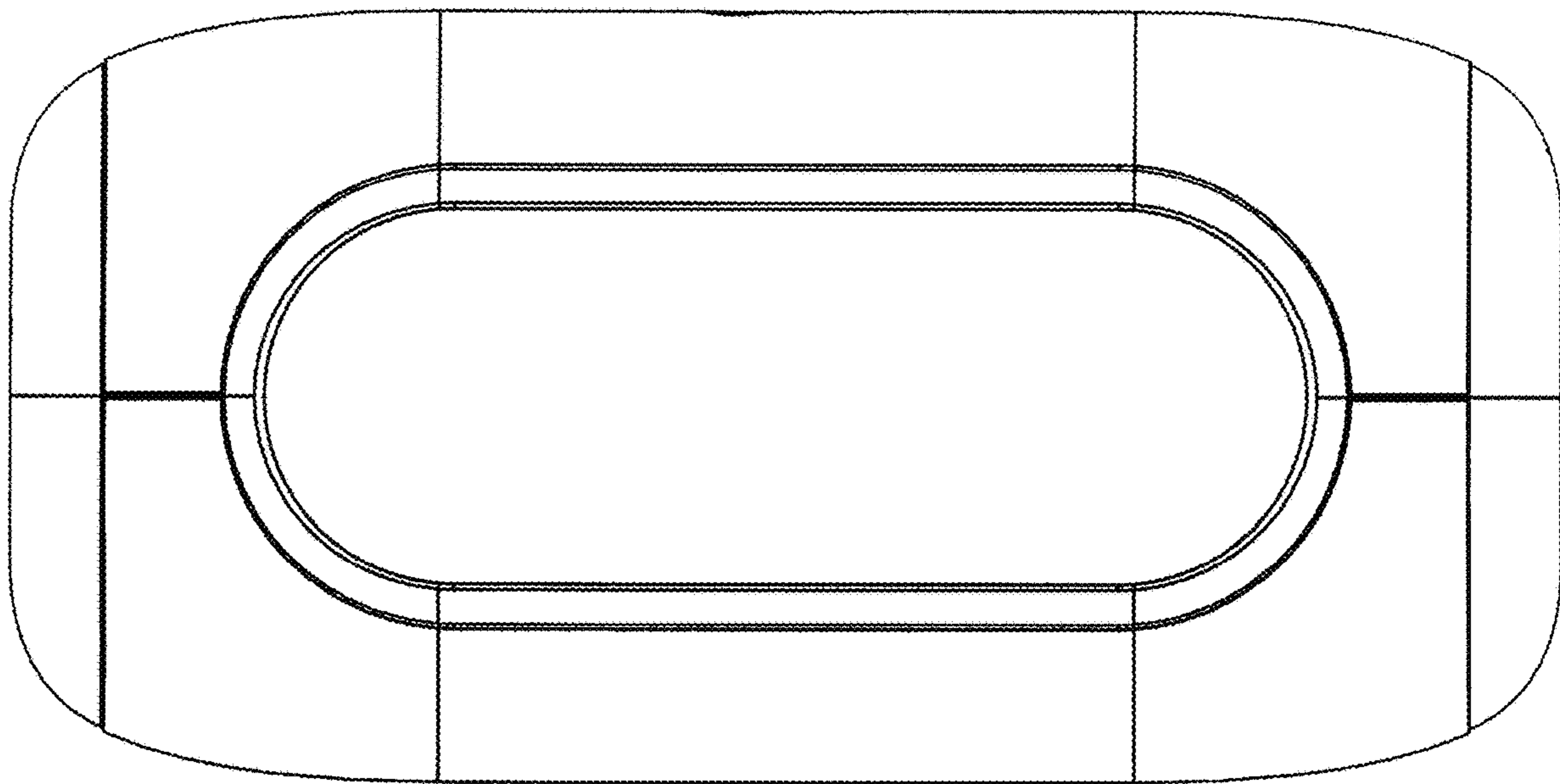


FIG. 4

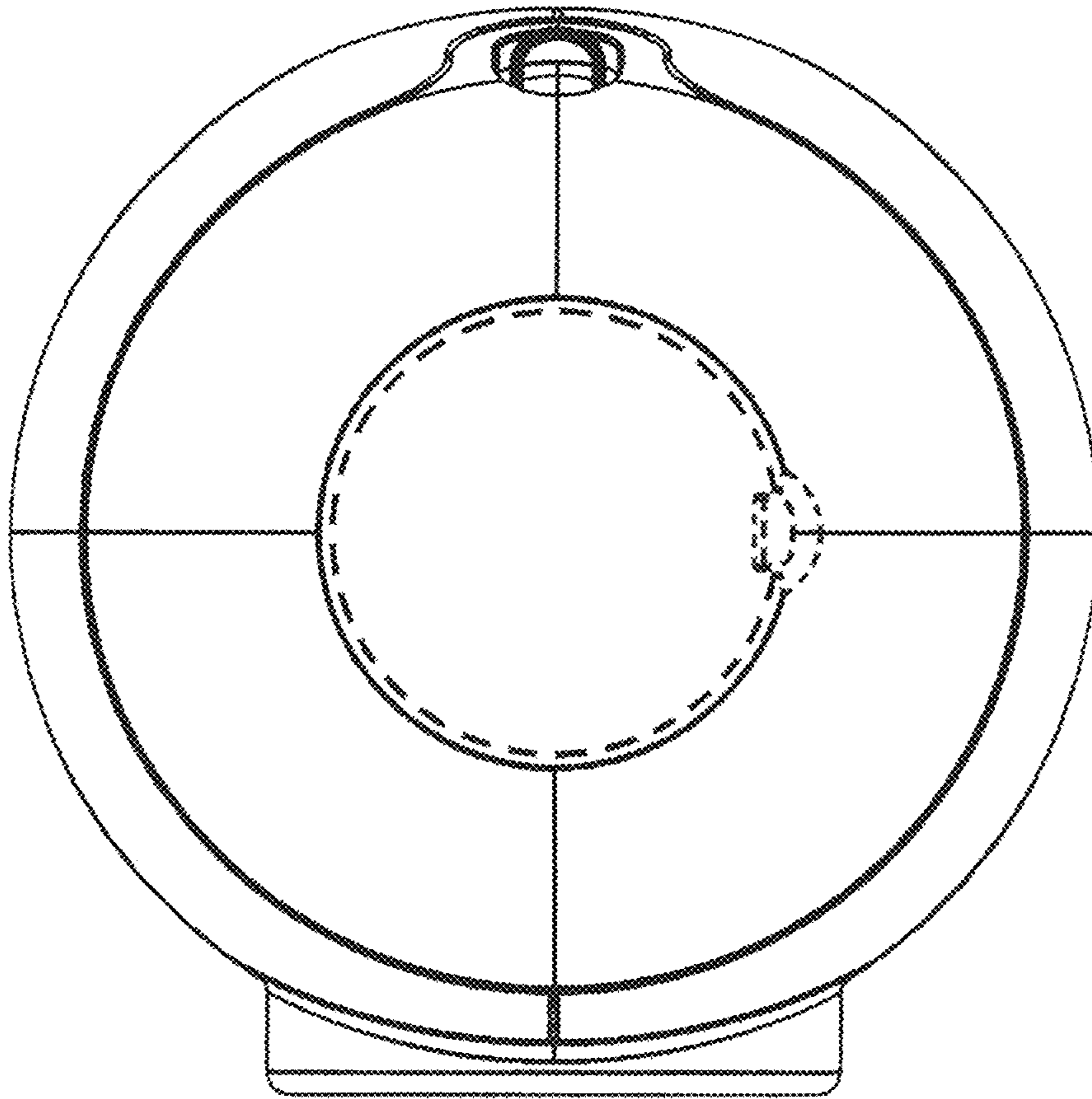


FIG. 5

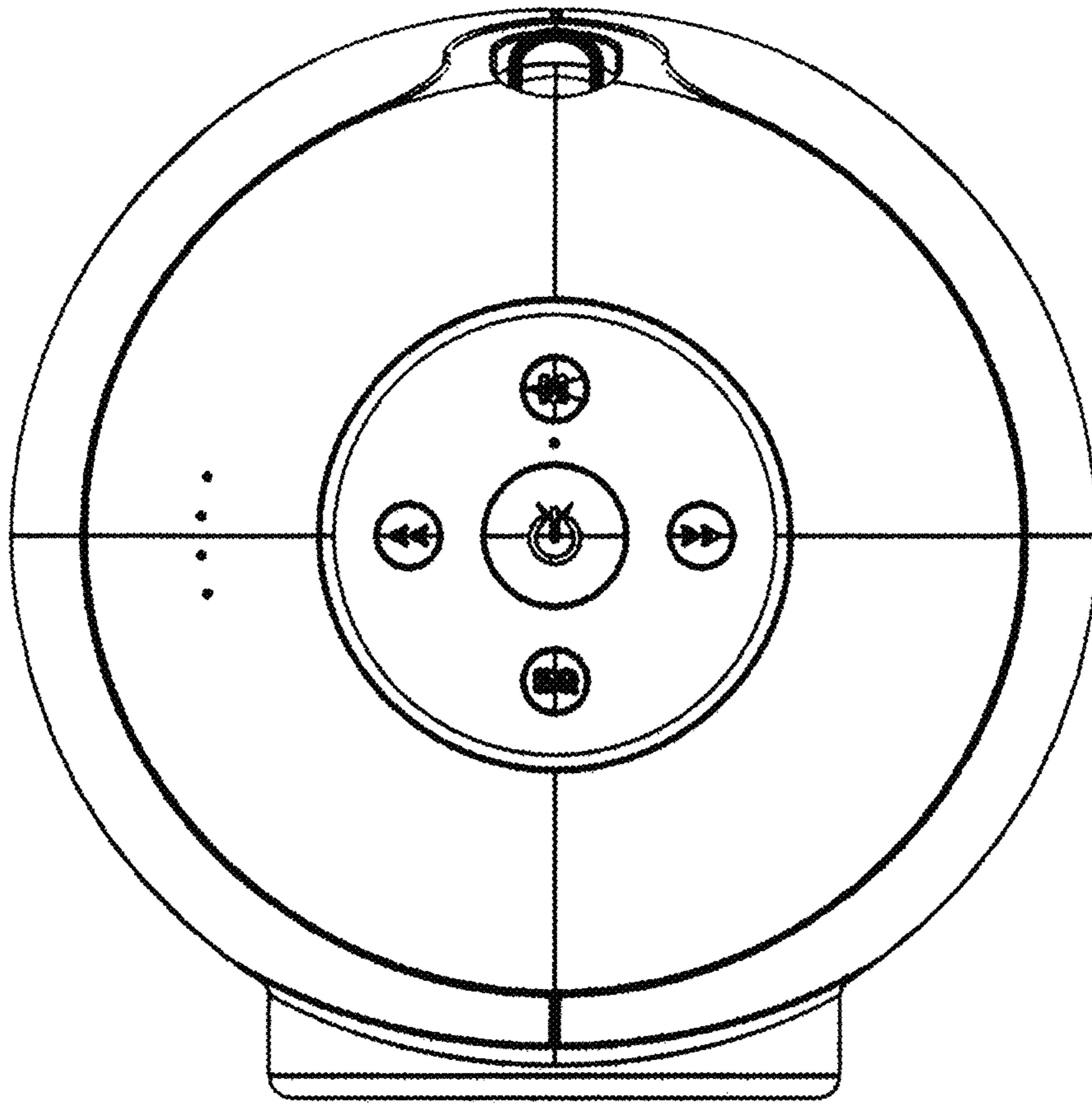


FIG. 6

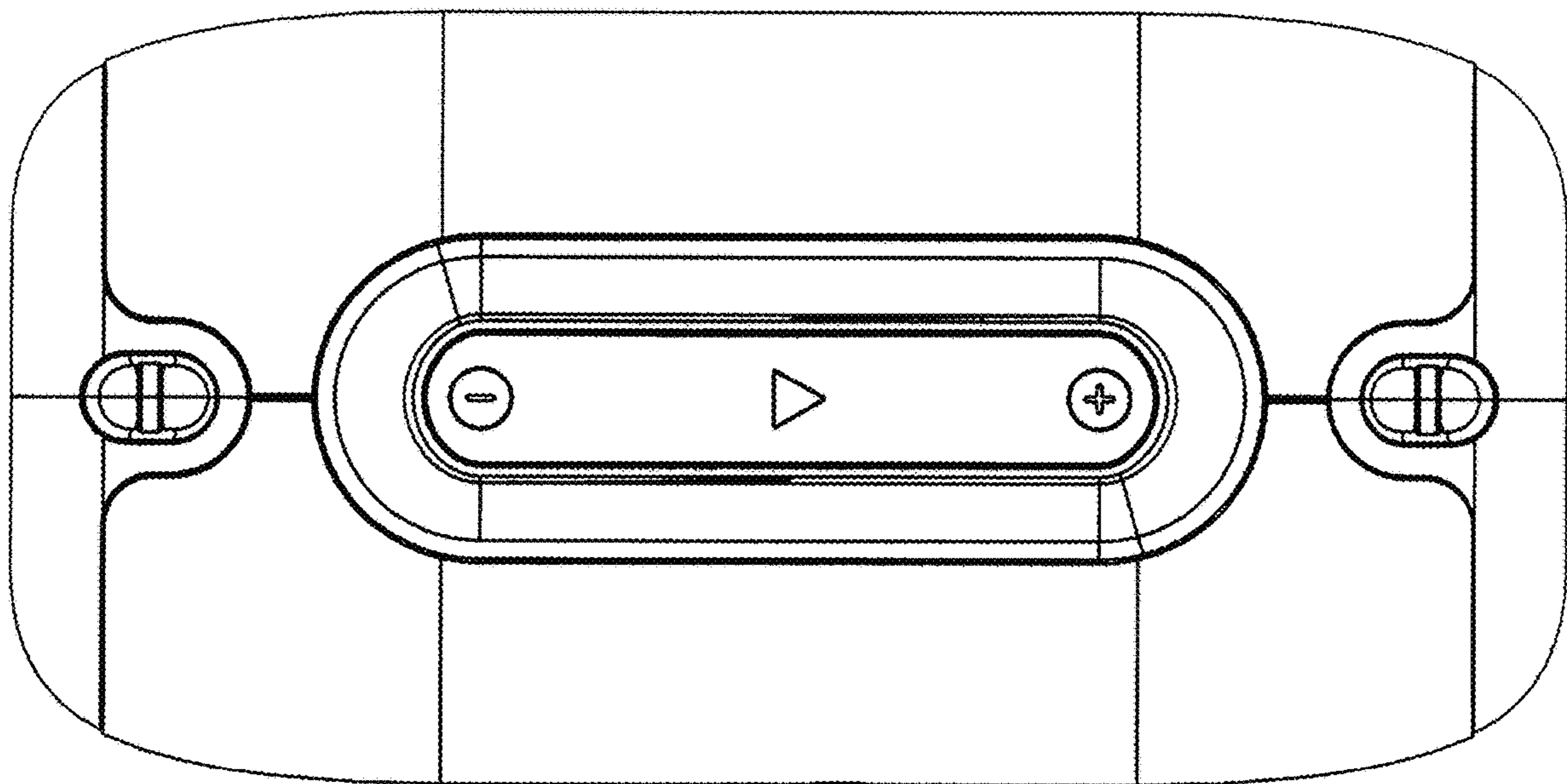


FIG. 7