



US00D891399S

(12) **United States Design Patent**
Chen

(10) **Patent No.:** **US D891,399 S**

(45) **Date of Patent:** **** Jul. 28, 2020**

- (54) **HEADPHONE**
- (71) Applicant: **Guihua Chen**, Xinshao County (CN)
- (72) Inventor: **Guihua Chen**, Xinshao County (CN)
- (**) Term: **15 Years**
- (21) Appl. No.: **29/675,953**
- (22) Filed: **Jan. 7, 2019**
- (51) **LOC (12) Cl.** **14-01**
- (52) **U.S. Cl.**
USPC **D14/206; D14/226**
- (58) **Field of Classification Search**
USPC D14/206, 226, 225, 188, 192, 372;
D29/112; 2/209; 181/129, 130, 135;
379/430, 431; 381/380, 381, 374, 370,
381/74; 455/90.3, 575.1, 569.1; 345/7, 8
CPC H04R 25/00; H04R 1/1016; H04R 1/1066;
H04R 1/105; H04R 5/033; H04R 5/0335;
H04R 1/1091; H04R 1/1058; H04R
19/04; G02B 27/017; G09G 5/00
See application file for complete search history.

- 6,724,906 B2 * 4/2004 Naksen H04R 1/1066
381/370
- D514,086 S * 1/2006 Skulley D14/206
- D517,528 S * 3/2006 Skulley D14/206
- D518,479 S * 4/2006 Skulley D14/225
- D529,898 S * 10/2006 Kuribayashi D14/215
- 7,172,052 B2 * 2/2007 Lenhard-Backhaus
H04R 1/1066
181/129
- D542,774 S * 5/2007 Rausch D14/206
- D556,187 S * 11/2007 Feng D14/205
- D567,220 S * 4/2008 Wang D14/206
- D589,492 S * 3/2009 Mistry D14/205
- D603,371 S * 11/2009 Boateng D14/205
- D604,266 S * 11/2009 Milde D14/205
- D615,068 S * 5/2010 Yuasa D14/216
- D637,176 S * 5/2011 Brunner D14/205

(Continued)

Primary Examiner — Paula Allen Greene

(74) *Attorney, Agent, or Firm* — Law Offices of Steven W. Weinrieb

(57) **CLAIM**

The ornamental design for a headphone, as shown and described.

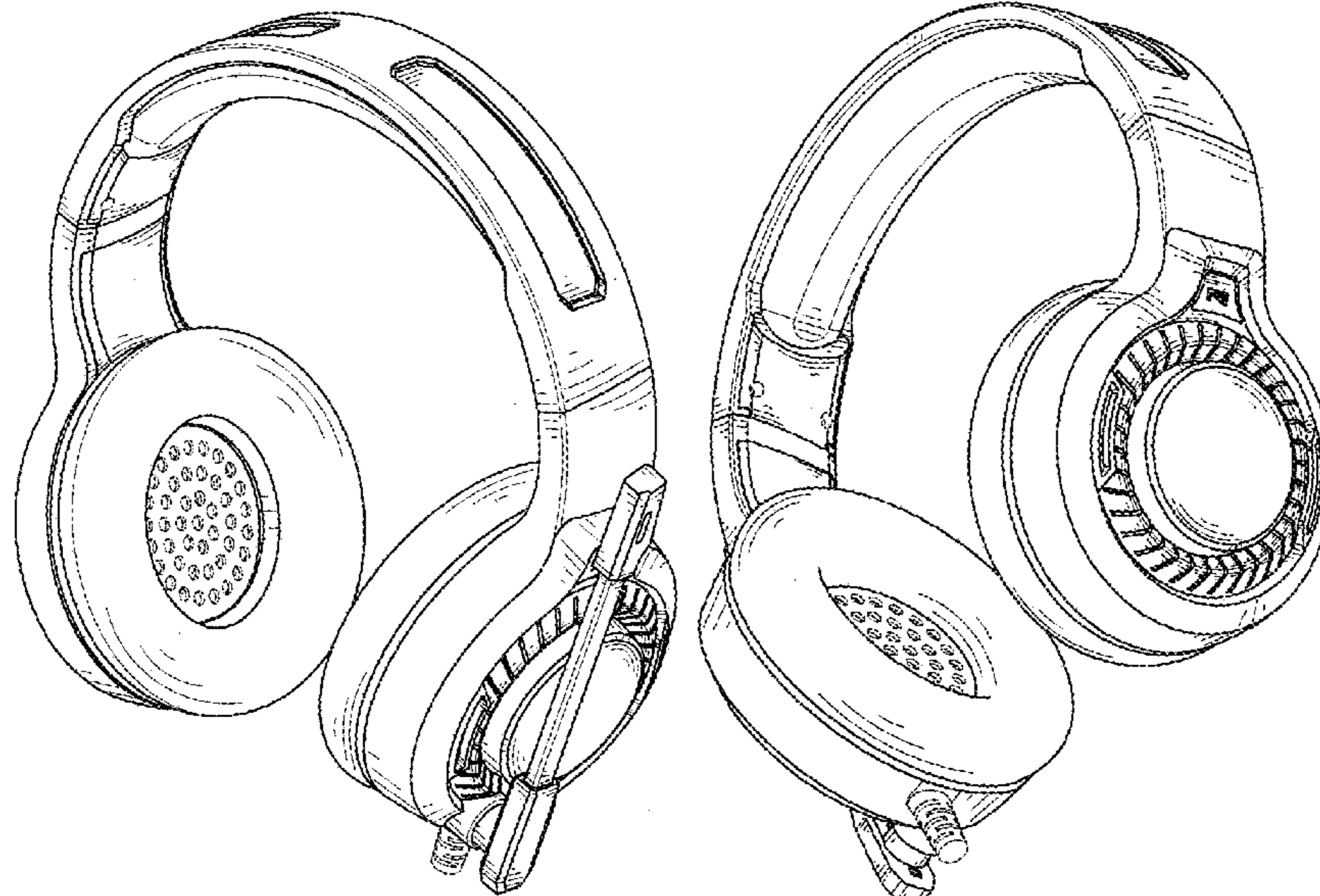
DESCRIPTION

FIG. 1 is a front, right side, top perspective view of the headphone showing my new design;
 FIG. 2 is a rear, left side, bottom perspective view thereof;
 FIG. 3 is a front elevational view thereof
 FIG. 4 is a rear elevational view thereof;
 FIG. 5 is a left side elevational view thereof;
 FIG. 6 is a right side elevational view thereof;
 FIG. 7 is a top plan view thereof; and,
 FIG. 8 is a bottom plan view thereof.
 The broken lines immediately adjacent to the claimed portions are boundaries, all other broken lines are environmental structures; all the broken lines form no part of the claimed design.

1 Claim, 8 Drawing Sheets

(56) **References Cited**
 U.S. PATENT DOCUMENTS

- 3,488,457 A * 1/1970 Lahti H04R 1/1008
381/371
- D254,183 S * 2/1980 Doodson D14/205
- D262,019 S * 11/1981 Upshaw D14/205
- 5,018,599 A * 5/1991 Dohi H04R 1/1008
181/129
- D351,172 S * 10/1994 Nakamura D14/205
- D402,659 S * 12/1998 Suzuki D14/215
- 5,960,094 A * 9/1999 Jensen H04M 1/05
381/374
- D431,550 S * 10/2000 Yoneda D14/205
- D453,015 S * 1/2002 Yuyama D14/192
- 6,483,925 B1 * 11/2002 Shen H04R 1/105
381/370



(56)

References Cited

U.S. PATENT DOCUMENTS

D647,081 S * 10/2011 Kwon D14/223
 D654,475 S * 2/2012 Chen D14/215
 D663,717 S * 7/2012 Hutchieson D14/206
 D666,993 S * 9/2012 Kelley D14/205
 D672,745 S * 12/2012 Abed D14/205
 D687,409 S * 8/2013 Lee D14/205
 D691,111 S * 10/2013 Lee D14/206
 D692,853 S * 11/2013 Nokuo D14/205
 D707,200 S * 6/2014 Yang H04R 1/1066
 D723,509 S * 3/2015 Garland D14/205
 D725,630 S * 3/2015 Nakagawa D14/205
 9,036,849 B2 * 5/2015 Thompson H04R 1/083
 D750,043 S * 2/2016 Birger D14/206
 D760,688 S * 7/2016 Brunner H04S 1/005
 D769,219 S * 10/2016 Ohmachi D14/205
 D775,104 S * 12/2016 Lee D14/205
 D778,258 S * 2/2017 Hsu D14/205
 D808,359 S * 1/2018 Meyer D14/205

D815,614 S * 4/2018 Tzeng D14/205
 D840,977 S * 2/2019 Pu D14/206
 D841,620 S * 2/2019 Liu D14/206
 D843,348 S * 3/2019 Burgess D14/206
 D843,349 S * 3/2019 Burgess D14/206
 D845,927 S * 4/2019 Wang D14/206
 D851,064 S * 6/2019 Wang D14/206
 D856,967 S * 8/2019 Tang D14/206
 D857,656 S * 8/2019 Ipsen D14/206
 D870,698 S * 12/2019 Long D14/206
 D876,392 S * 2/2020 Zhou D14/206
 2001/0017925 A1 * 8/2001 Ceravolo H04M 1/05
 381/370
 2004/0213428 A1 * 10/2004 Lenhard-Backhaus
 H04R 1/1066
 381/370
 2006/0104471 A1 * 5/2006 Tsunoda H04R 1/1041
 381/374
 2009/0238397 A1 * 9/2009 Reiss H04R 1/1083
 381/375
 2011/0146701 A1 * 6/2011 Chou A45D 8/36
 132/275
 2017/0019728 A1 * 1/2017 Cochran H04R 5/0335

* cited by examiner

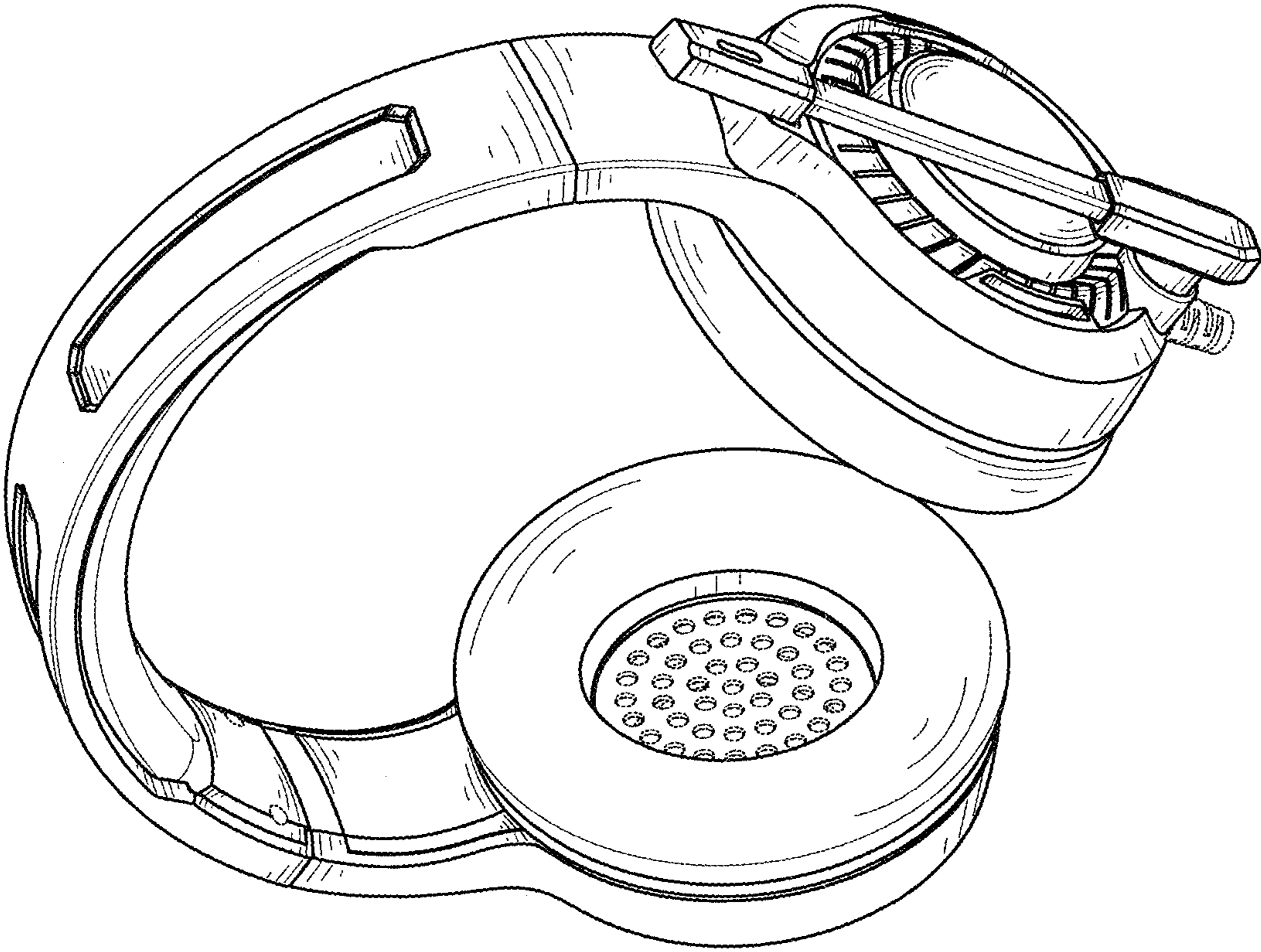


FIG. 1

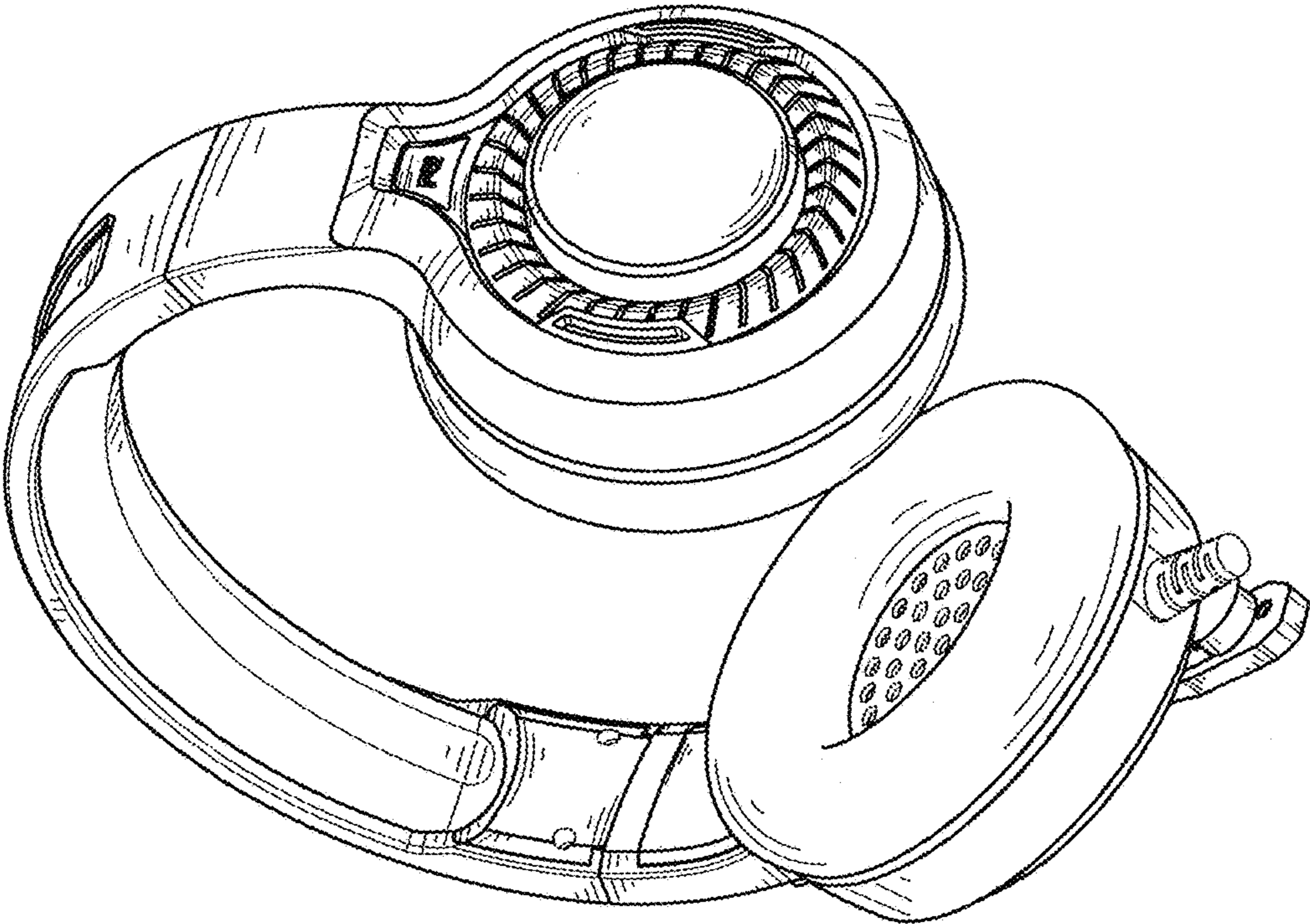


FIG. 2

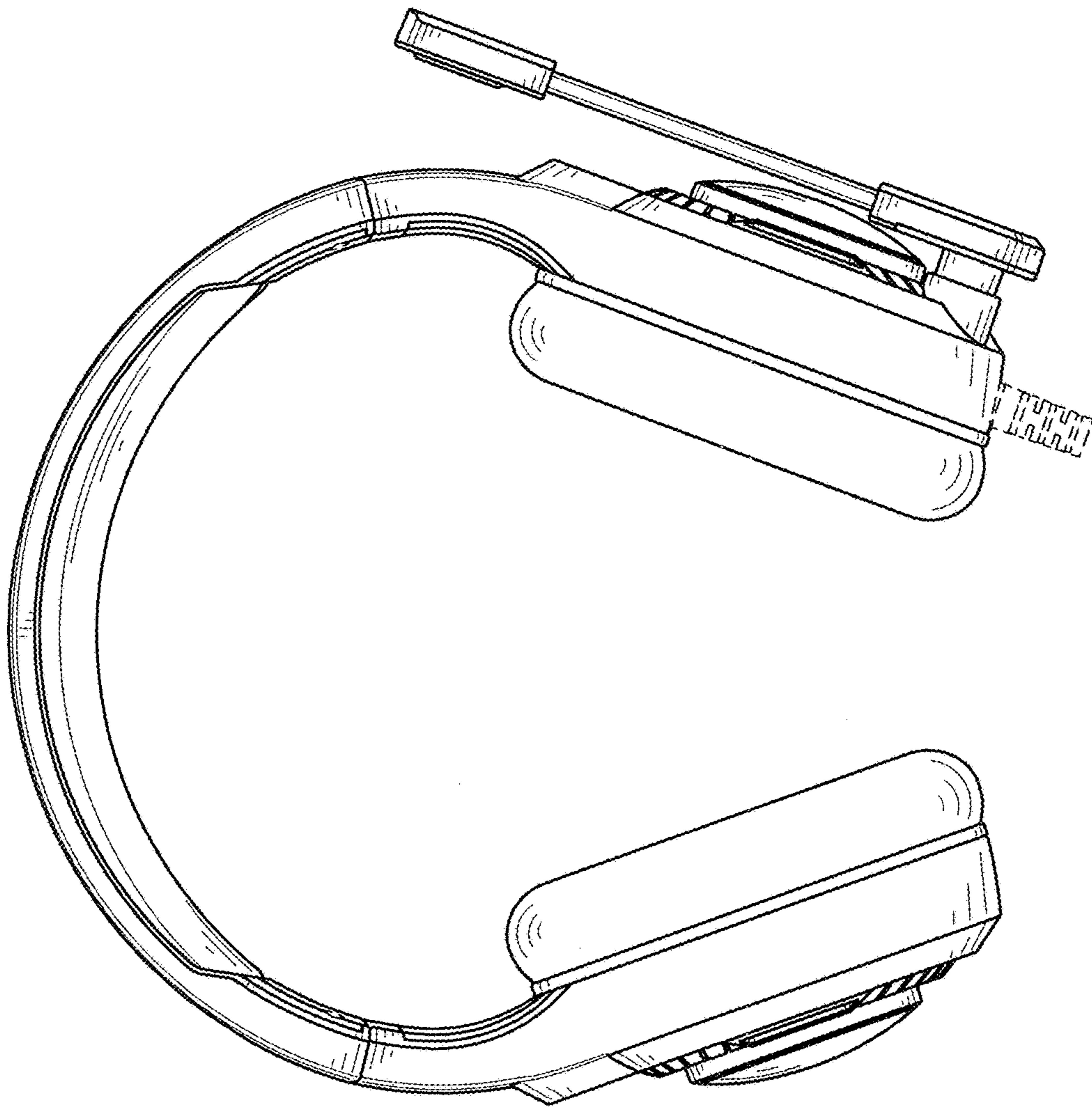


FIG. 3

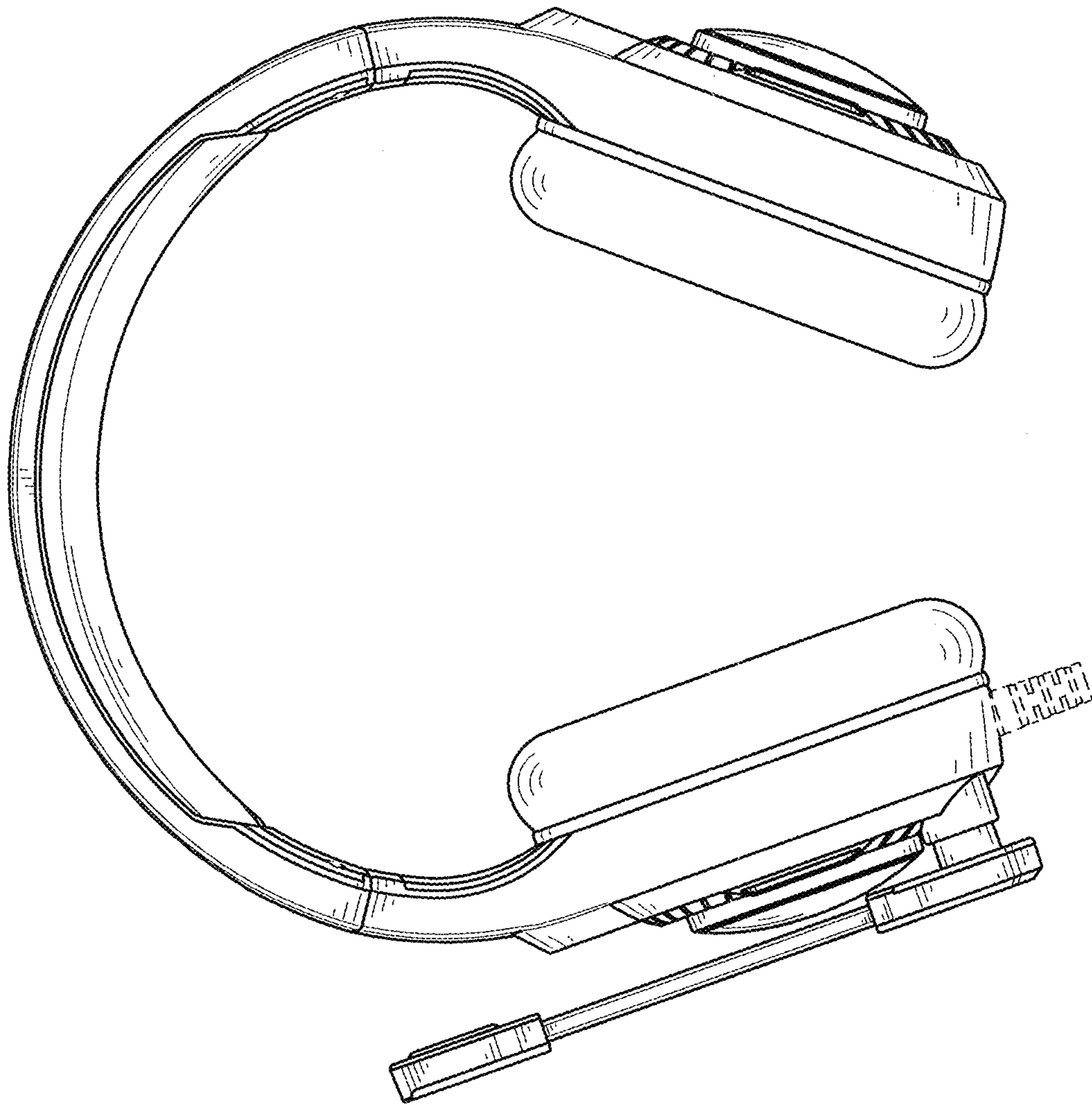


FIG. 4

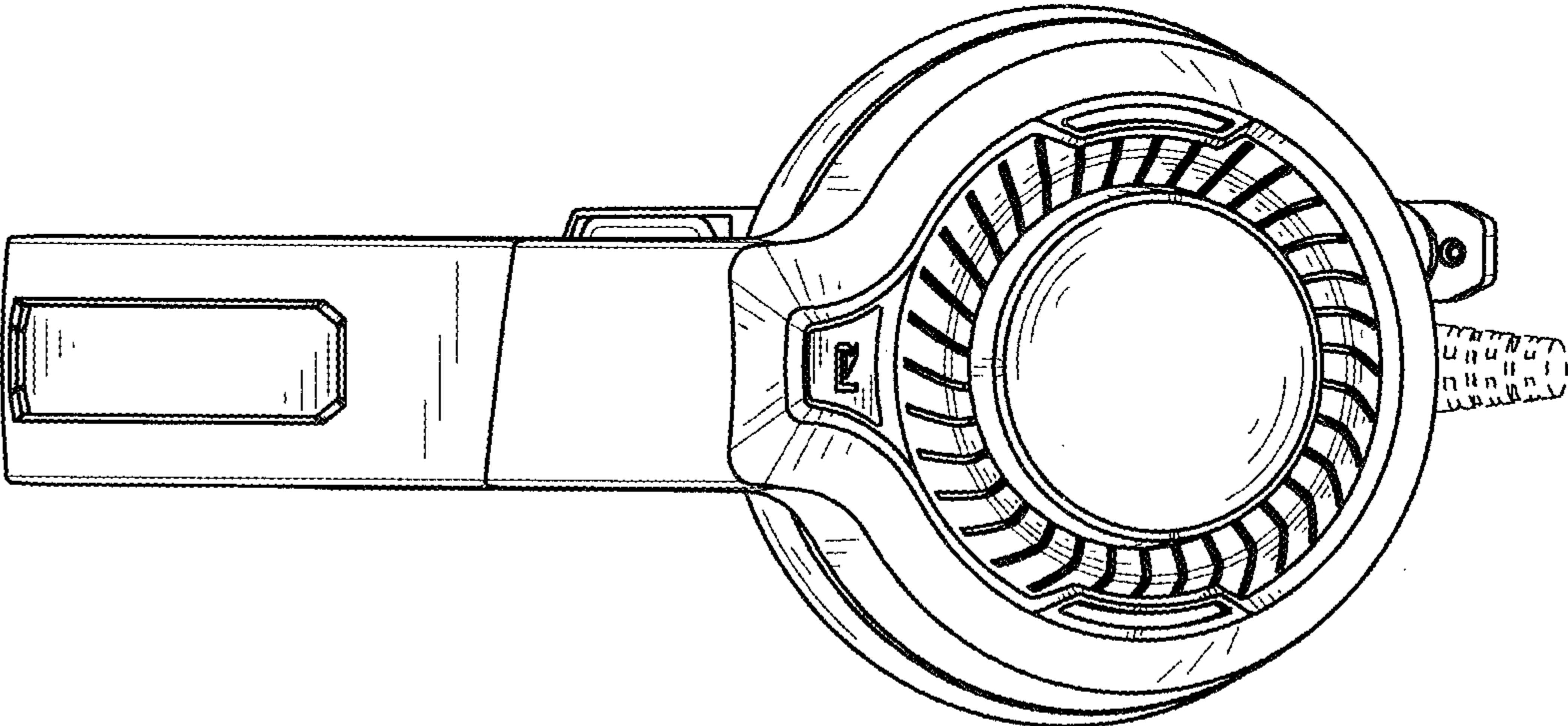


FIG. 5

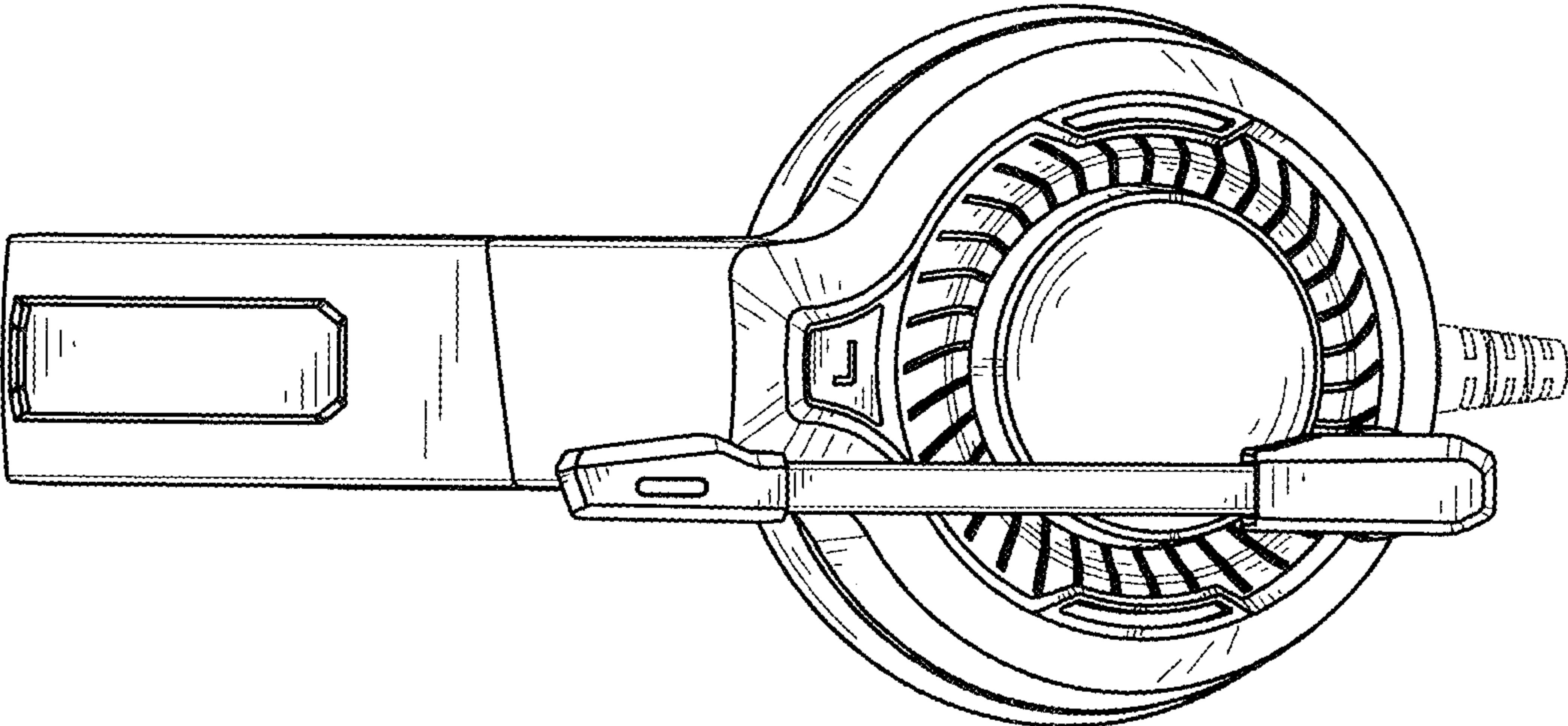


FIG. 6

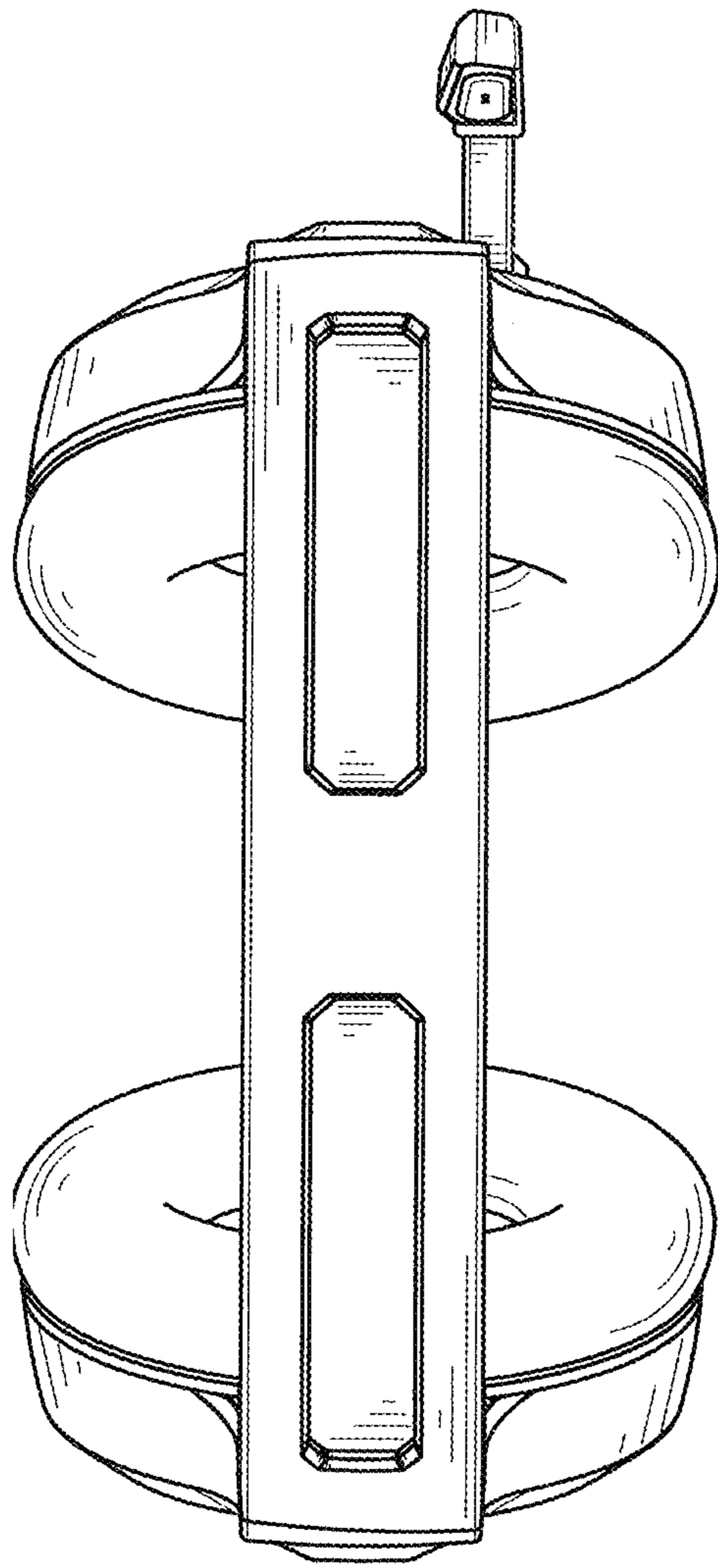


FIG. 7

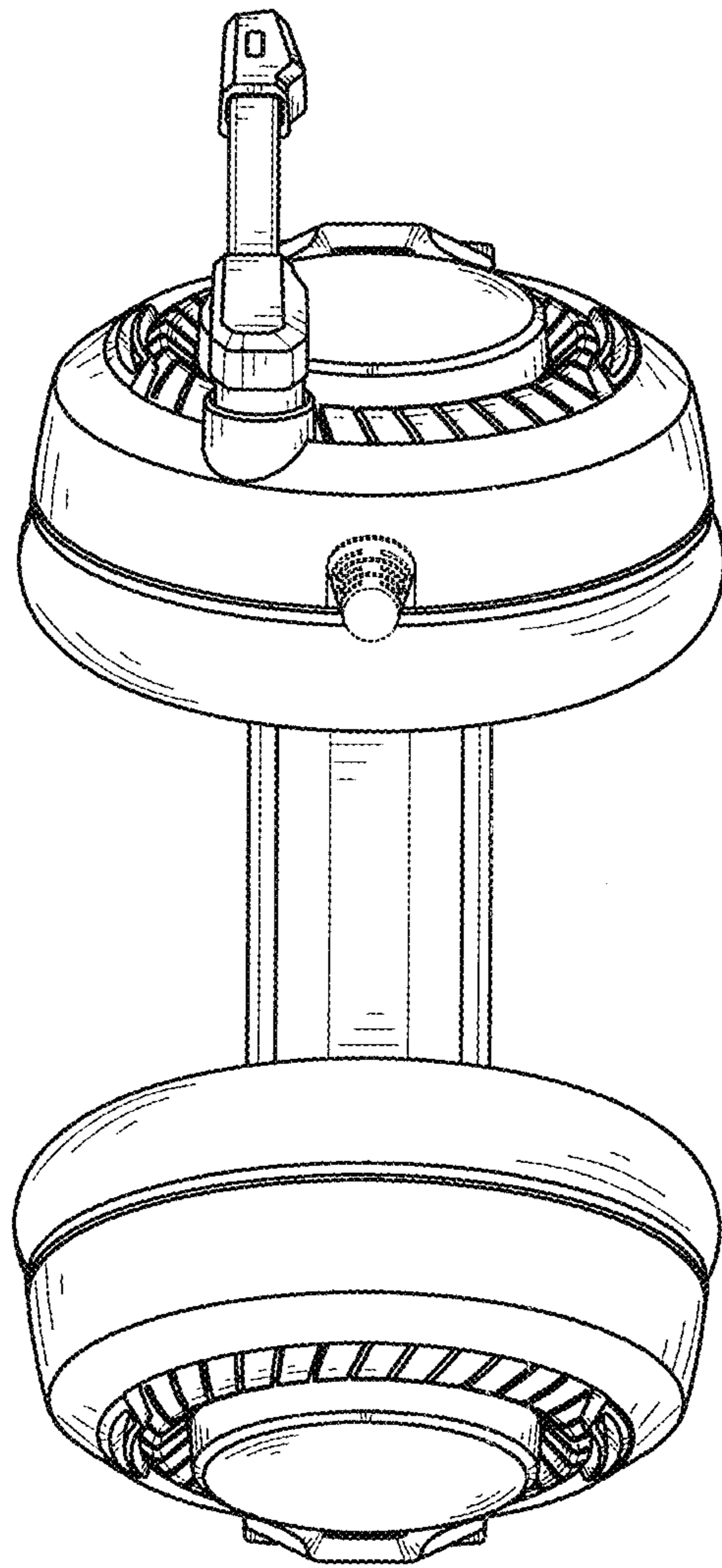


FIG. 8