



US00D891398S

(12) **United States Design Patent**
Chen

(10) **Patent No.:** **US D891,398 S**

(45) **Date of Patent:** **** Jul. 28, 2020**

(54) **HEADPHONE**

(71) Applicant: **Guihua Chen**, Xinshao County (CN)

(72) Inventor: **Guihua Chen**, Xinshao County (CN)

(**) Term: **15 Years**

(21) Appl. No.: **29/675,941**

(22) Filed: **Jan. 7, 2019**

(51) **LOC (12) Cl.** **14-01**

(52) **U.S. Cl.**
USPC **D14/206**; D14/226

(58) **Field of Classification Search**
USPC D14/206, 226, 225, 188, 192, 372;
D29/112; 2/209; 181/129, 130, 135;
379/430, 431; 381/380, 381, 370, 374,
381/375, 74; 455/90.3, 575.1, 569.1;
345/7, 8
CPC H04R 25/00; H04R 1/1016; H04R 1/1066;
H04R 1/105; H04R 5/033; H04R 5/0335;
H04R 1/1091; H04R 1/1058; G02B
27/017; G09G 5/00

See application file for complete search history.

(56) **References Cited**

U.S. PATENT DOCUMENTS

3,488,457 A * 1/1970 Lahti H04R 1/1008
381/371
4,754,484 A * 6/1988 Larkin H04M 1/05
379/419
D302,429 S * 7/1989 Leer D14/137
5,708,725 A * 1/1998 Ito H04R 5/0335
381/370
5,793,878 A * 8/1998 Chang H04R 5/0335
381/370
5,841,858 A * 11/1998 Frierson H04M 1/0202
379/430
5,960,094 A * 9/1999 Jensen H04M 1/05
381/374
D442,340 S * 5/2001 Leight D29/112

6,295,366 B1 * 9/2001 Haller H04R 5/0335
379/430
D449,040 S * 10/2001 Weikel D14/227
D457,155 S * 5/2002 Skulley D14/206
D477,593 S * 7/2003 Komiyama D14/223
D477,822 S * 7/2003 Komiyama D14/223
6,678,897 B2 * 1/2004 Lindgren A61F 11/14
181/129
D497,357 S * 10/2004 Allum D14/206
D505,413 S * 5/2005 Skulley D14/223
D508,483 S * 8/2005 Suzuki D14/205
D514,087 S * 1/2006 Wilson D14/206
D517,527 S * 3/2006 Suzuki D14/205
D517,528 S * 3/2006 Skulley D14/206
D518,479 S * 4/2006 Skulley D14/225

(Continued)

Primary Examiner — Paula Allen Greene

(74) *Attorney, Agent, or Firm* — Law Offices of Steven W. Weinrieb

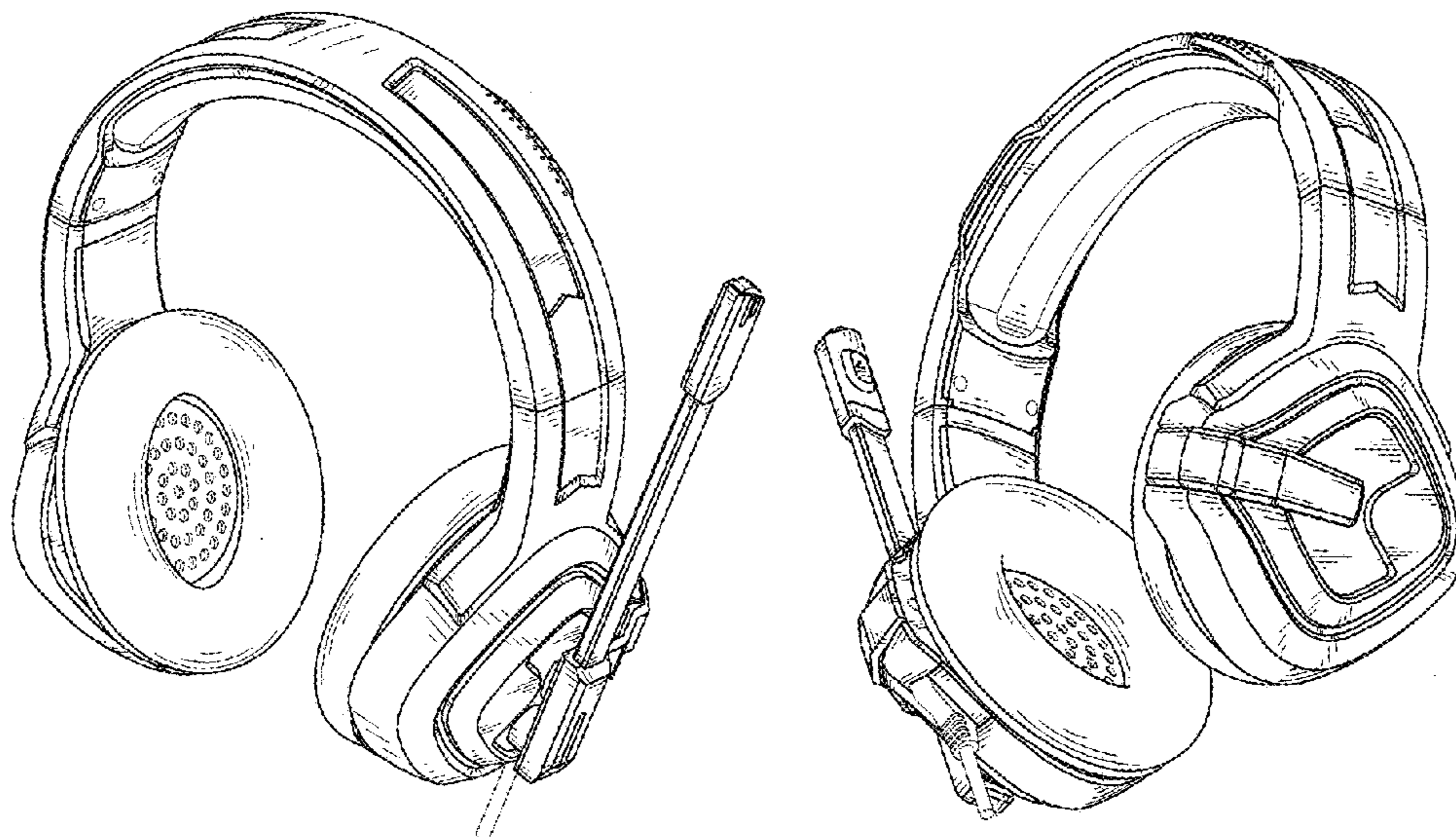
(57) **CLAIM**

The ornamental design for a headphone, as shown and described.

DESCRIPTION

FIG. 1 is a front, right side, top perspective view of the headphone showing my new design; FIG. 2 is a rear, left side, bottom perspective view thereof; FIG. 3 is a front elevational view thereof; FIG. 4 is a rear elevational view thereof; FIG. 5 is a left side elevational view thereof; FIG. 6 is a right side elevational view thereof; FIG. 7 is a top plan view thereof; and, FIG. 8 is a bottom plan view thereof. The broken lines immediately adjacent to the claimed portions are boundaries, all other broken lines are environmental structures; all the broken lines form no part of the claimed design.

1 Claim, 8 Drawing Sheets



(56)

References Cited

U.S. PATENT DOCUMENTS

D531,165 S *	10/2006	Rath	D14/206	D733,677 S *	7/2015	Ling	D14/206
D538,270 S *	3/2007	Kim	D14/223	D741,286 S *	10/2015	Brennwald	D14/205
D540,303 S *	4/2007	Rausch	D14/205	D743,947 S *	11/2015	Yoshimura	D14/223
D549,688 S *	8/2007	Suzuki	D14/205	D745,859 S *	12/2015	Kiuchi	D14/205
D584,293 S *	1/2009	Kim	D14/223	D769,219 S *	10/2016	Ohmachi	D14/205
D589,492 S *	3/2009	Mistry	D14/205	D787,477 S *	5/2017	Lee	D14/223
D592,182 S *	5/2009	Sanguinetti	D14/205	D788,071 S *	5/2017	Logan	D14/205
D597,070 S *	7/2009	Zheng	D14/205	D799,452 S *	10/2017	Lee	D14/223
D598,898 S *	8/2009	Davidson	D14/215	D808,359 S *	1/2018	Meyer	D14/205
D606,971 S *	12/2009	Christopher	D14/205	D815,614 S *	4/2018	Tzeng	D14/205
D613,266 S *	4/2010	Barry	D14/205	D824,360 S *	7/2018	Hsieh	D14/205
D617,770 S *	6/2010	Sanguinetti	D14/205	D845,927 S *	4/2019	Wang	D14/206
D634,732 S *	3/2011	Kondo	D14/205	D853,988 S *	7/2019	Wang	D14/206
D635,958 S *	4/2011	Ando	D14/205	D856,967 S *	8/2019	Tang	D14/206
D637,182 S *	5/2011	Lee	D14/223	D856,971 S *	8/2019	Tang	D14/206
D641,725 S *	7/2011	Chong	D14/205	D857,656 S *	8/2019	Ipsen	D14/206
D645,023 S *	9/2011	Brandis	D14/206	D857,657 S *	8/2019	Skinner	D14/206
8,139,807 B2 *	3/2012	Reiss	H04R 1/1083 381/375	D864,903 S *	10/2019	Liu	D14/206
D658,630 S *	5/2012	Gondo	D14/205	D866,515 S *	11/2019	Long	D14/206
D670,275 S *	11/2012	Tompkin	D14/223	D866,528 S *	11/2019	Maeda	D14/223
D672,744 S *	12/2012	Scarpa	D14/205	D866,530 S *	11/2019	Birger	D14/223
D672,745 S *	12/2012	Abed	D14/205	D868,734 S *	12/2019	Wang	D14/206
D690,284 S *	9/2013	Brennwald	D14/205	D870,696 S *	12/2019	Deng	D14/206
8,737,667 B2 *	5/2014	Oh	A61B 5/6898 379/430	D877,116 S *	3/2020	Liu	D14/206
8,767,996 B1 *	7/2014	Lin	H04R 1/1091 381/380	2001/0017925 A1 *	8/2001	Ceravolo	H04M 1/05 381/370
D723,508 S *	3/2015	Garland	D14/205	2010/0040252 A1 *	2/2010	Thompson	H04R 1/083 381/375
D724,561 S *	3/2015	Ko	D14/205	2011/0135134 A1 *	6/2011	Essabar	H04R 1/1025 381/374
9,036,849 B2 *	5/2015	Thompson	H04R 1/083 381/122	2011/0194721 A1 *	8/2011	Schmidt	H04R 1/1066 381/370

* cited by examiner

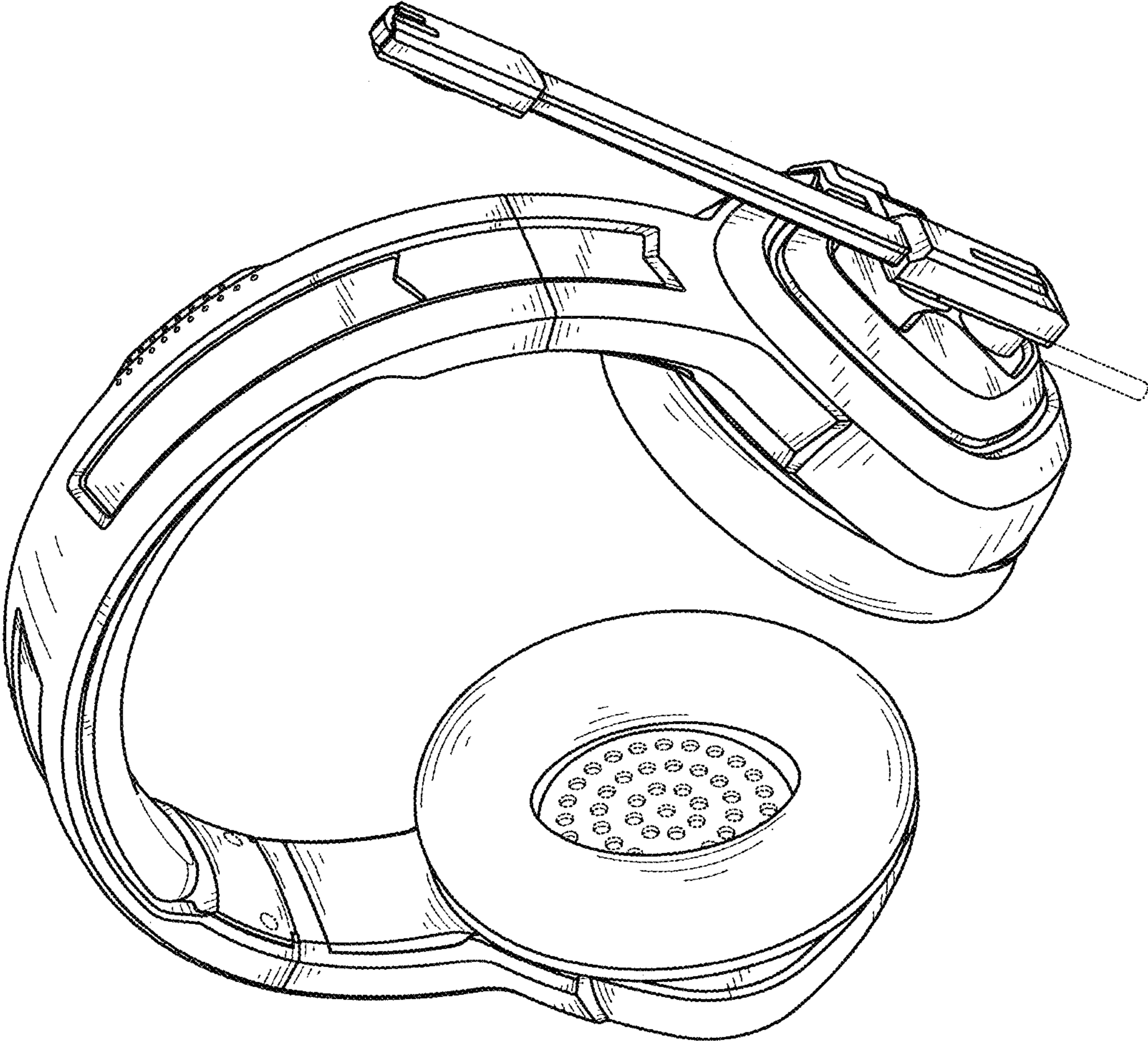


FIG. 1

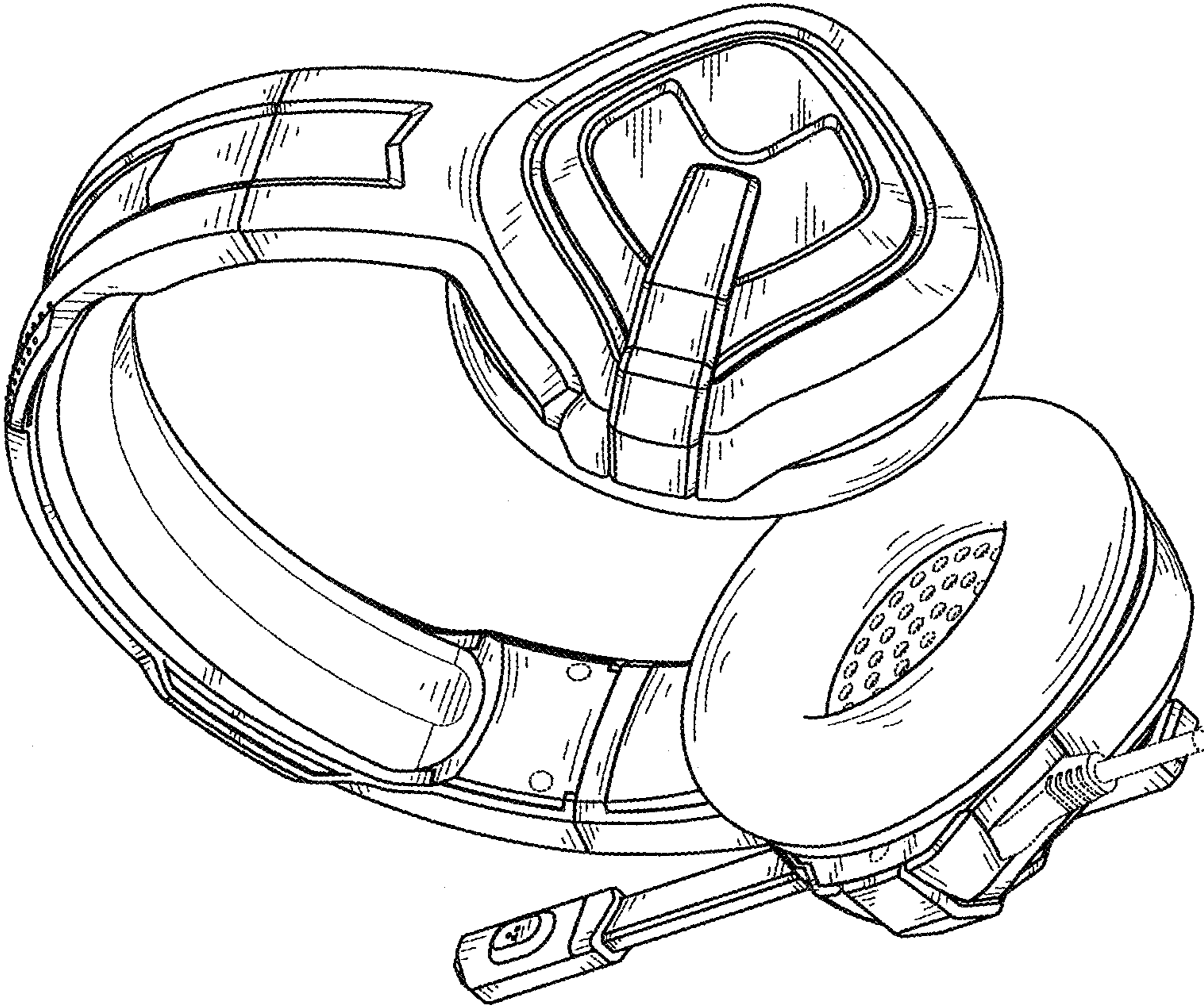


FIG. 2

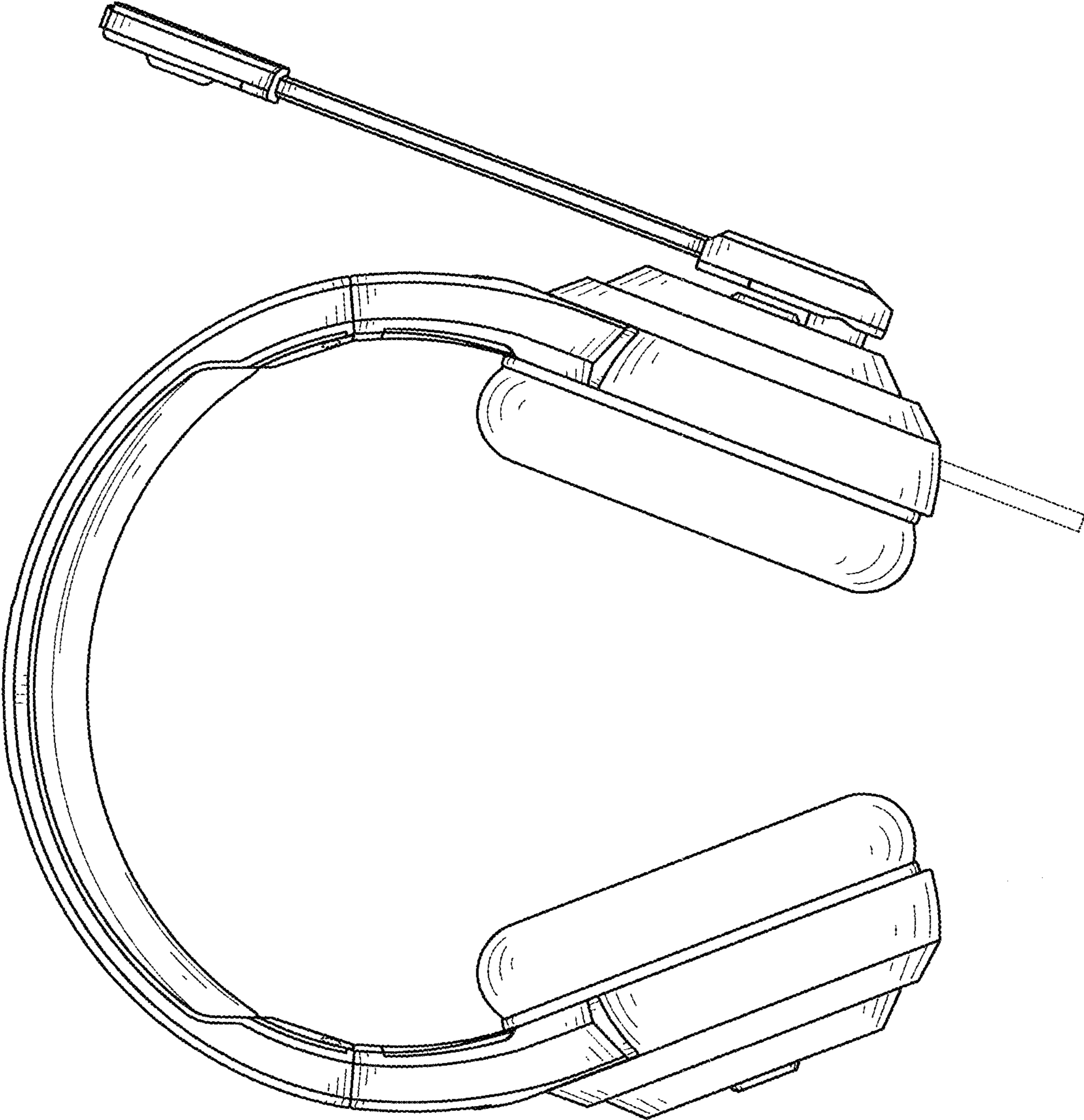


FIG. 3

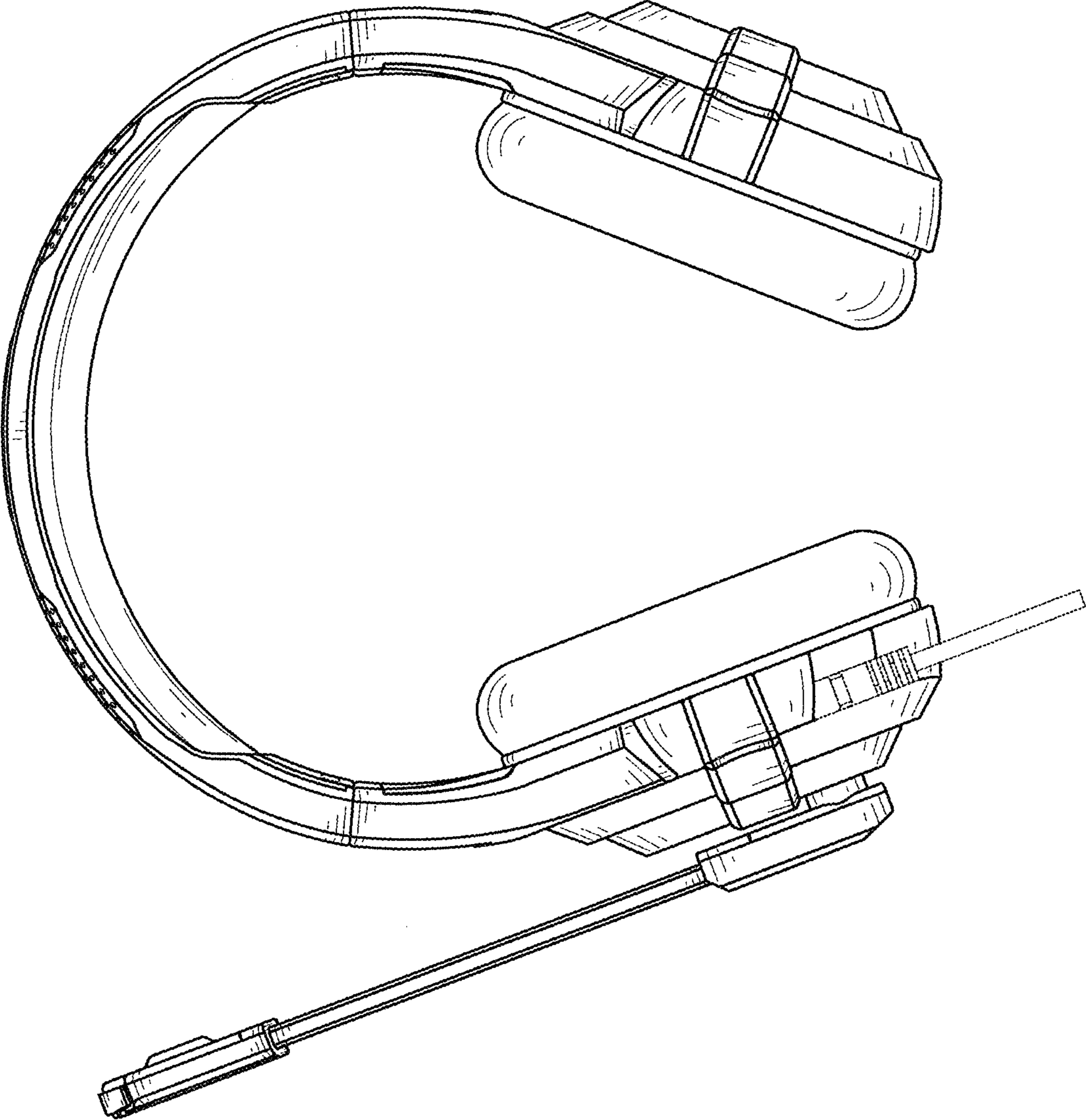


FIG. 4

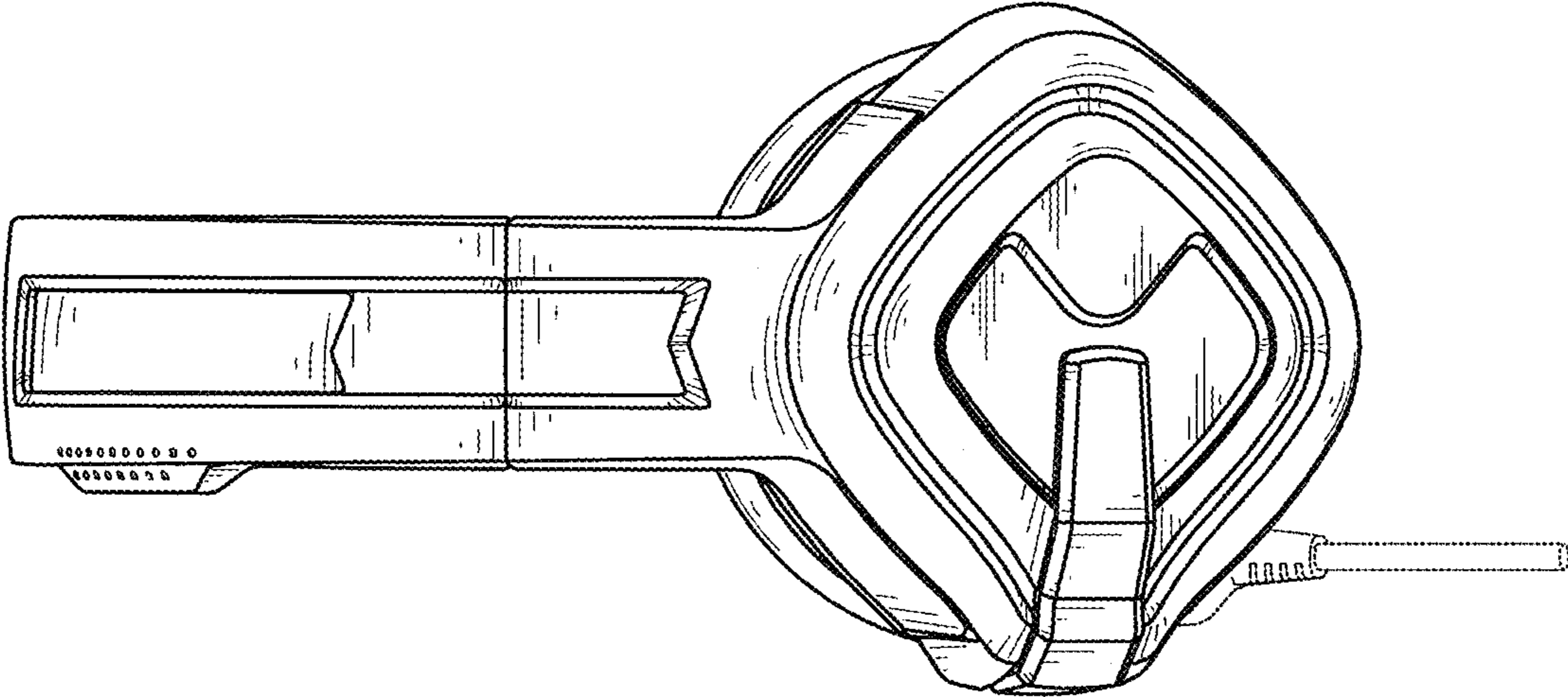


FIG. 5

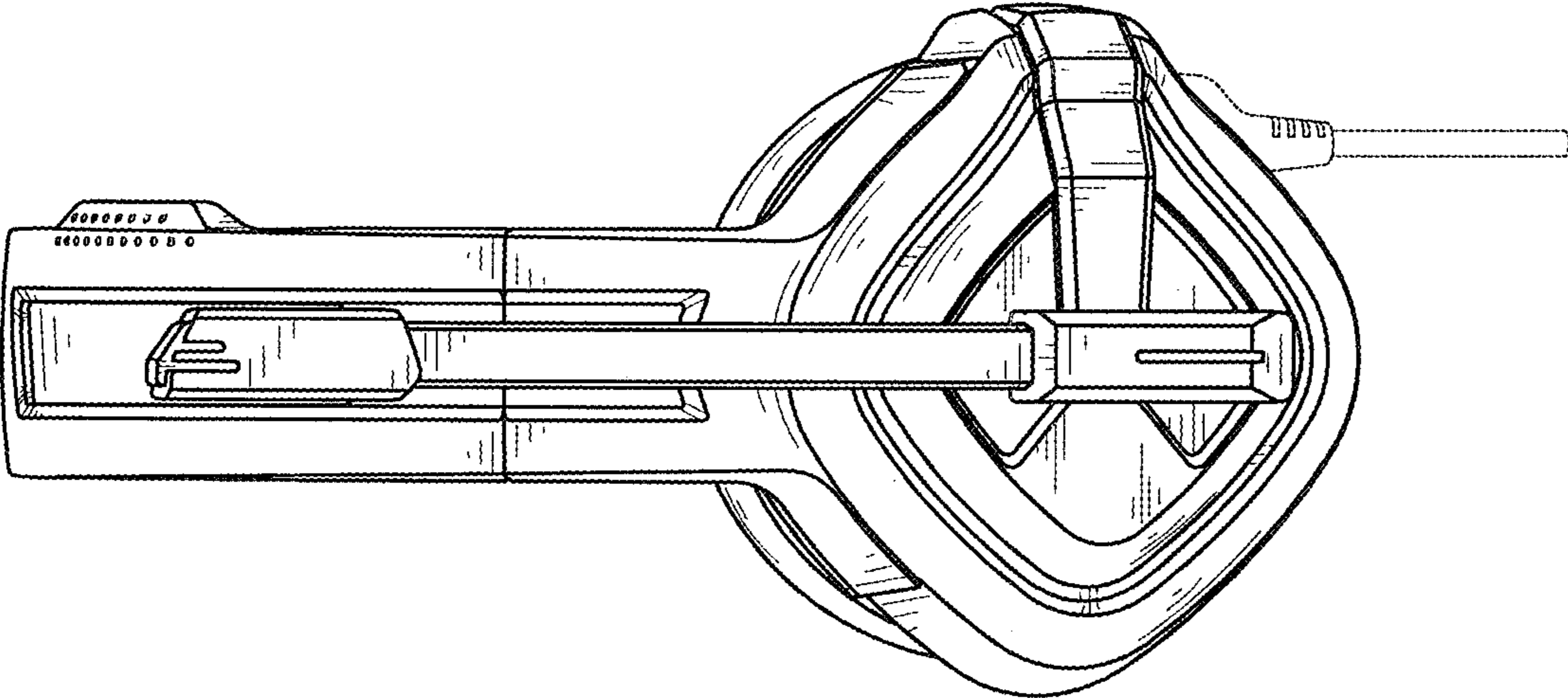


FIG. 6

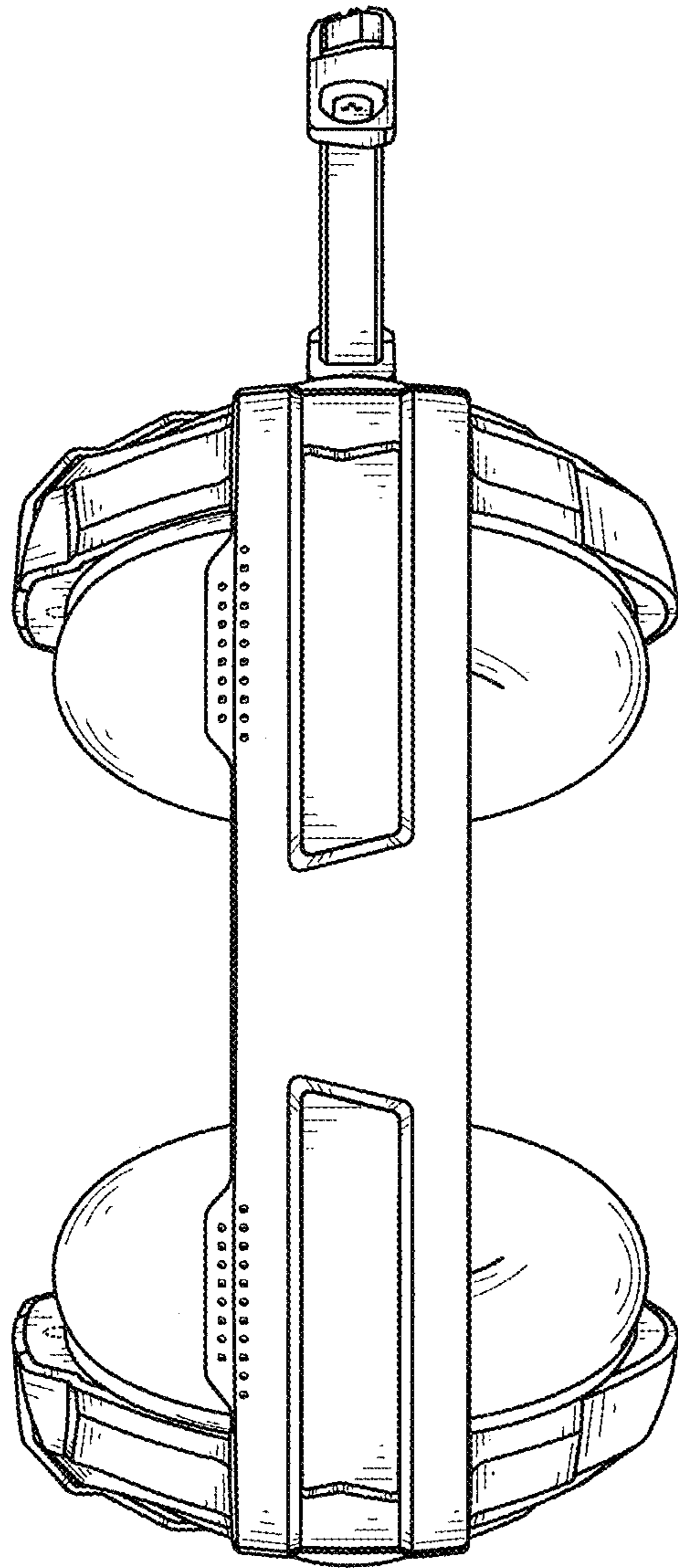


FIG. 7

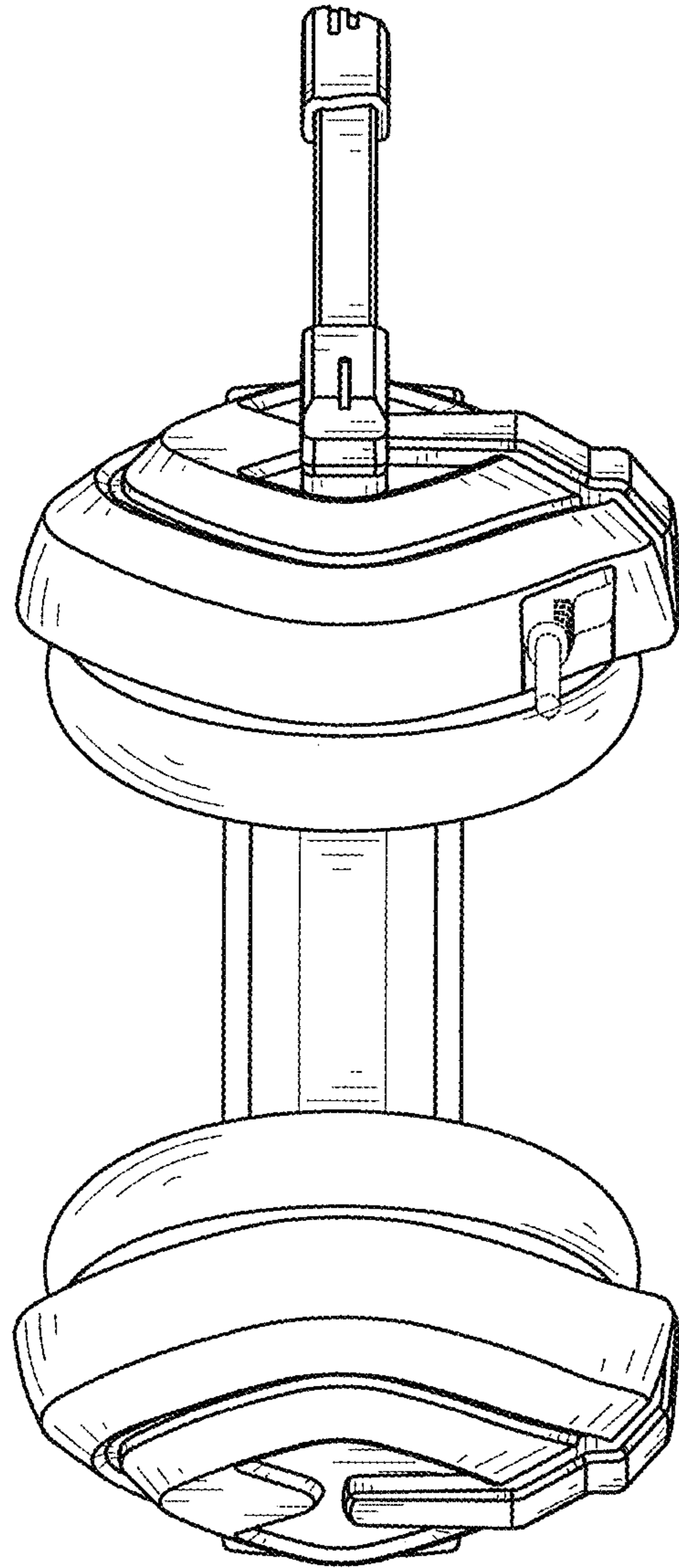


FIG. 8