



US00D891394S

(12) **United States Design Patent** (10) **Patent No.:** **US D891,394 S**
Kim et al. (45) **Date of Patent:** **** Jul. 28, 2020**

(54) **AUDIO PLAYER** D674,778 S * 1/2013 Skurdal D14/214
D714,259 S * 9/2014 Galler D14/221
(71) Applicant: **LG ELECTRONICS INC., Seoul** D726,149 S * 4/2015 Rodgers D14/214
(KR) 9,014,411 B2 * 4/2015 Rodgers H04R 1/023
381/391
(72) Inventors: **Kyungmin Kim, Seoul (KR);** D730,318 S * 5/2015 Park D14/214
Seongahn Jeon, Seoul (KR) D736,742 S * 8/2015 Warden D14/214
D754,630 S * 4/2016 Paterson D14/204
(73) Assignee: **LG Electronics Inc., Seoul (KR)** D769,214 S * 10/2016 Warden D14/204
D784,953 S * 4/2017 Warden D14/204
D796,472 S * 9/2017 Sprinkle D14/204
(**) Term: **15 Years** (Continued)

(21) Appl. No.: **35/507,151**

OTHER PUBLICATIONS

(22) Filed: **Feb. 1, 2019**

LG Unveils New Dolby Atmos Soundbar at CES 2017, publication date Jan. 4, 2017, [online][site visited May 20, 2020] URL: <https://www.gizbot.com/home-entertainment/news/lg-unveils-new-dolby-atmos-soundbar-at-ces-2017-expands-its-audio-line-up-037244.html> (Year: 2017).*

(80) **Hague Agreement Data**

Int. Filing Date: **Feb. 1, 2019**
Int. Reg. No.: **DM/201588**
Int. Reg. Date: **Feb. 1, 2019**
Int. Reg. Pub. Date: **Aug. 2, 2019**

(Continued)

Primary Examiner — George D. Kirschbaum
Assistant Examiner — L. A. Grabenstetter
(74) *Attorney, Agent, or Firm* — Birch, Stewart, Kolasch & Birch, LLP

(30) **Foreign Application Priority Data**

Aug. 20, 2018 (KR) 30-2018-0038592

(51) **LOC (12) Cl.** **14-01**

(52) **U.S. Cl.**
USPC **D14/204**

(58) **Field of Classification Search**
USPC ... D14/172, 188, 194, 204, 209.1, 211, 214,
D14/215, 221, 203.1, 212
CPC H04R 2420/07; H04R 5/02; H04R 1/403;
H04R 2201/028
See application file for complete search history.

(57) **CLAIM**

The ornamental design for an audio player, as shown and described.

DESCRIPTION

- 1. Audio player
- 1.1 : Perspective
- 1.2 : Front
- 1.3 : Back
- 1.4 : Left
- 1.5 : Right
- 1.6 : Top
- 1.7 : Bottom

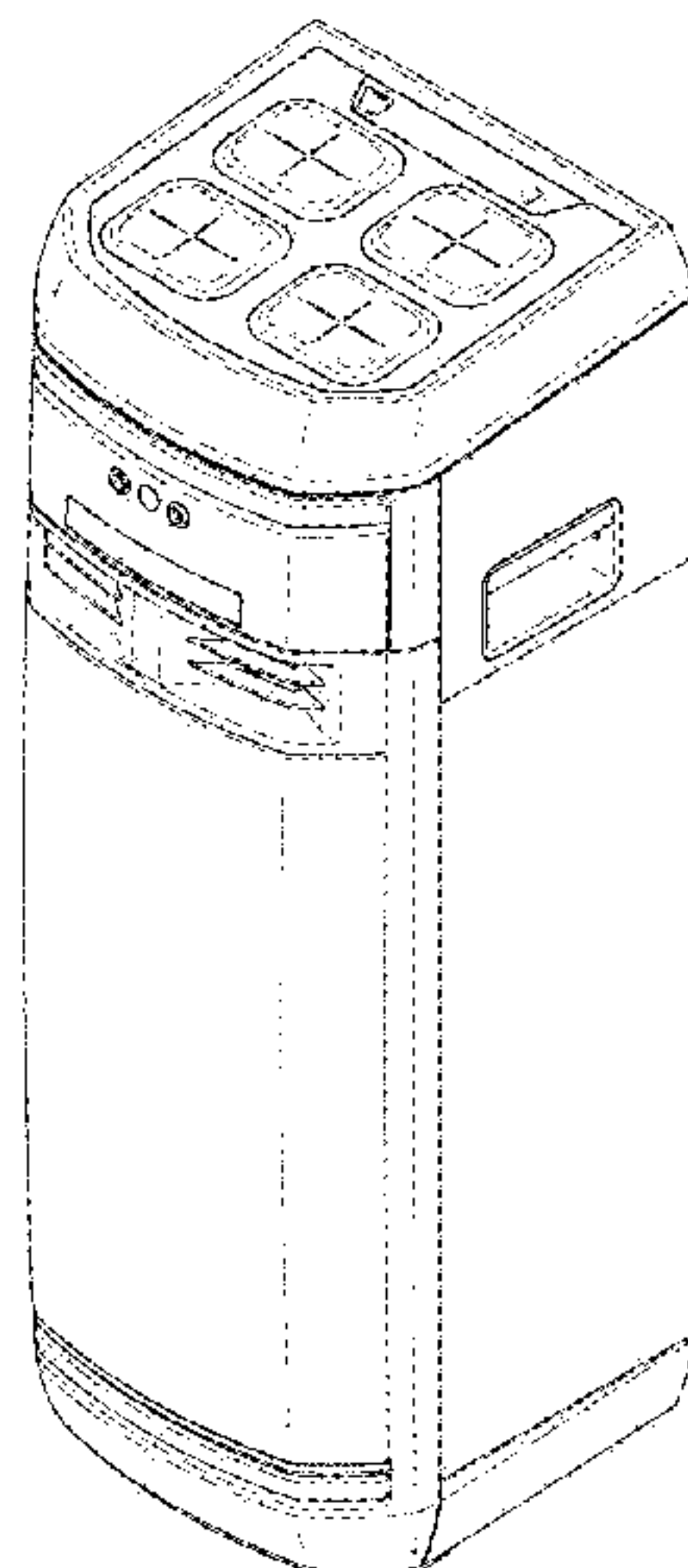
The broken lines indicate portions of the article that form no part of the claimed design.

(56) **References Cited**

U.S. PATENT DOCUMENTS

D463,786 S * 10/2002 Lin D14/214
D529,019 S * 9/2006 Lim D14/172
D580,411 S * 11/2008 Omori D14/215
D609,216 S * 2/2010 Davies D14/214
D647,503 S * 10/2011 Moore D14/207
D662,081 S * 6/2012 Yoshiizumi D14/214

1 Claim, 7 Drawing Sheets



(56)

References Cited

U.S. PATENT DOCUMENTS

D806,671 S * 1/2018 Kalyuzhny D14/204
D817,927 S * 5/2018 McManigal D14/214
D836,596 S * 12/2018 Warden D14/204
D836,601 S * 12/2018 Yang D14/209.1
D862,411 S * 10/2019 Yang D14/204

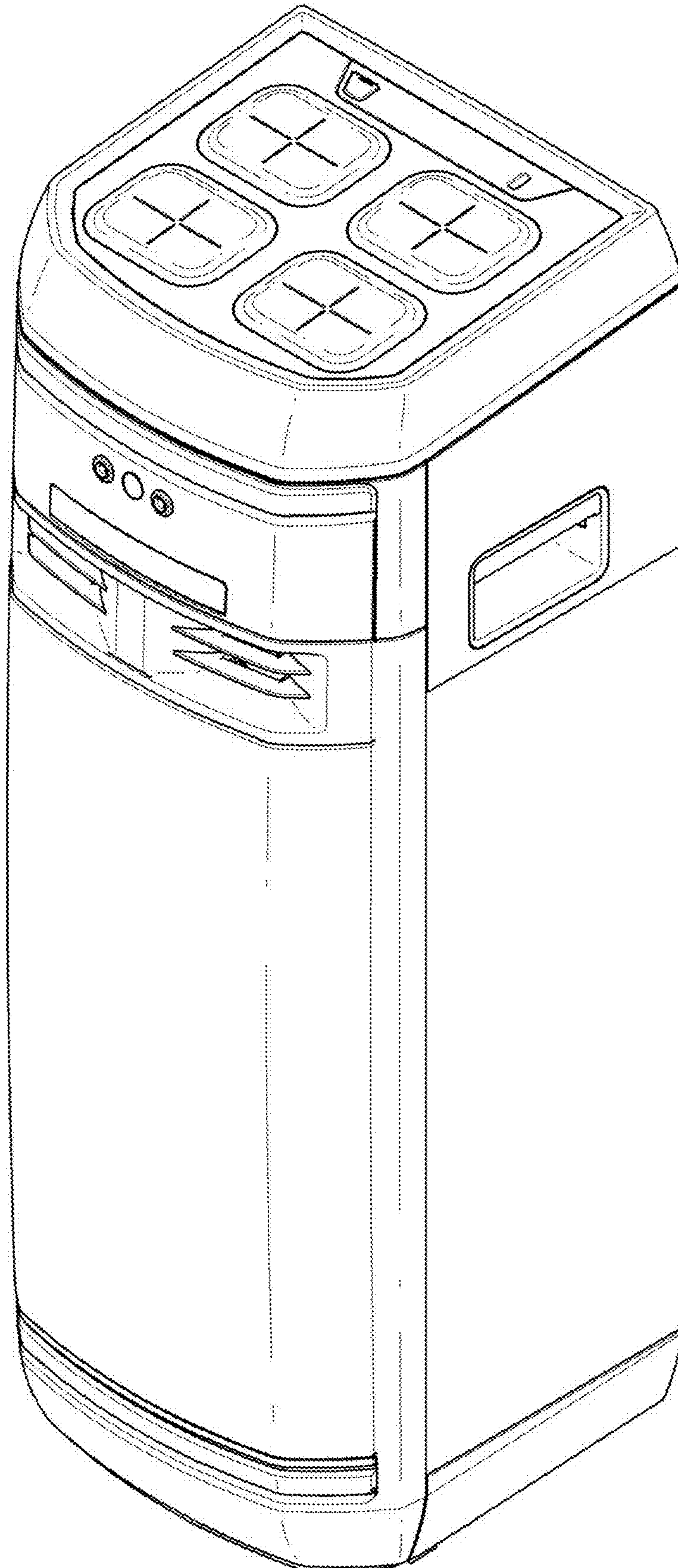
OTHER PUBLICATIONS

LG OK99 Party Machine, publication date Feb. 8, 2018, [online][site visited May 20, 2020] URL: <https://www.youtube.com/watch?v=-yyCX5mu6ko> (Year: 2018).*

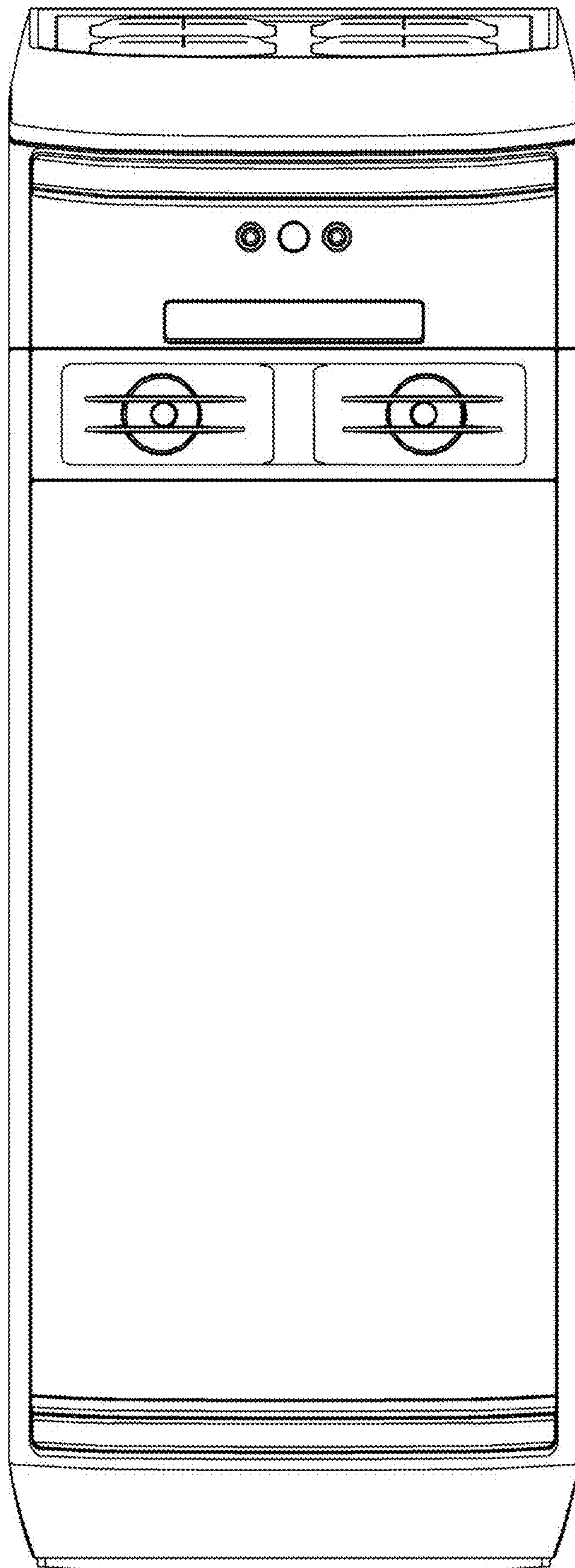
LG Loudr Turn-Table DJ Speaker, CES 2018, publication date Jan. 25, 2018, [online][site visited May 20, 2020] URL: <https://www.youtube.com/watch?v=d1vtoH8KbTY> (Year: 2018).*

* cited by examiner

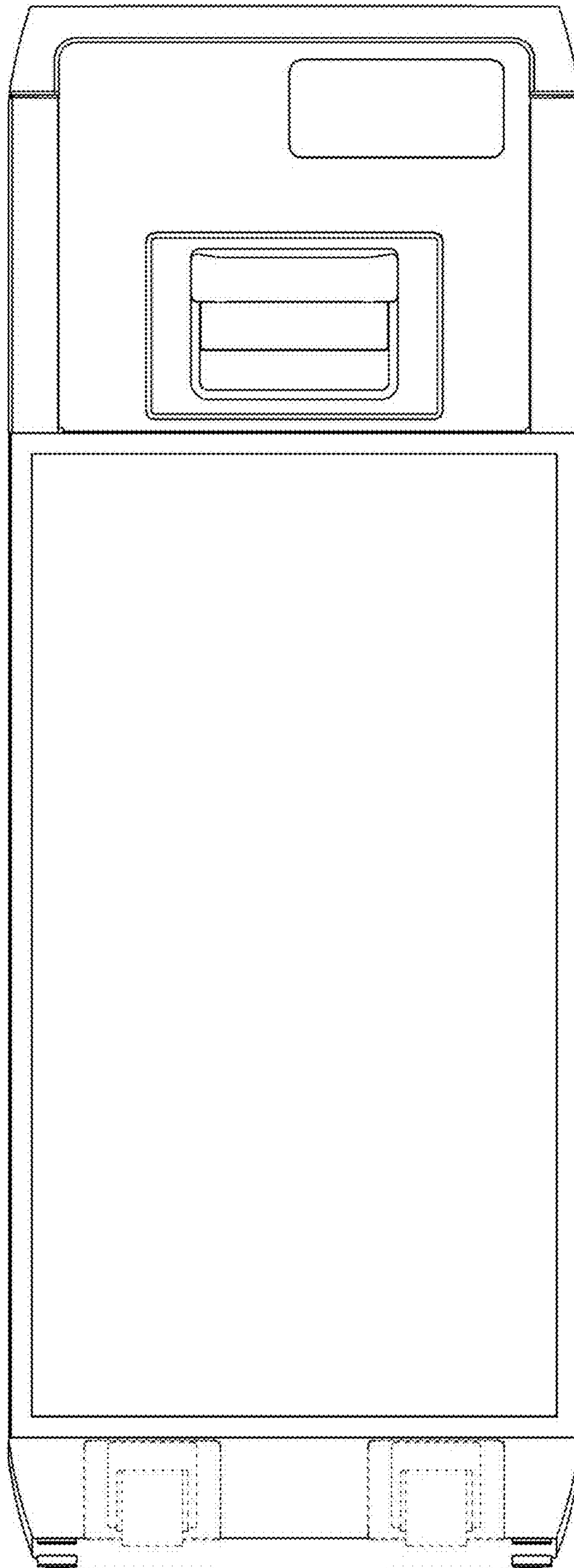
1.1



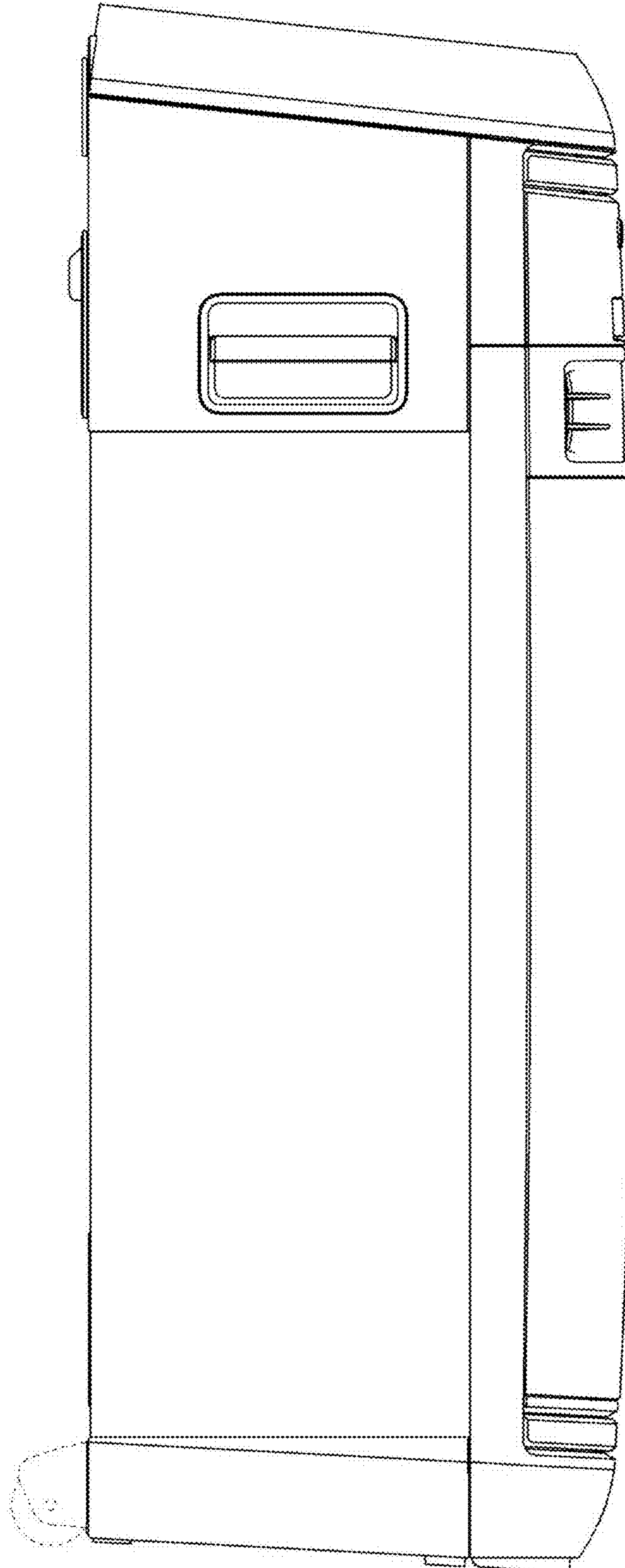
1.2



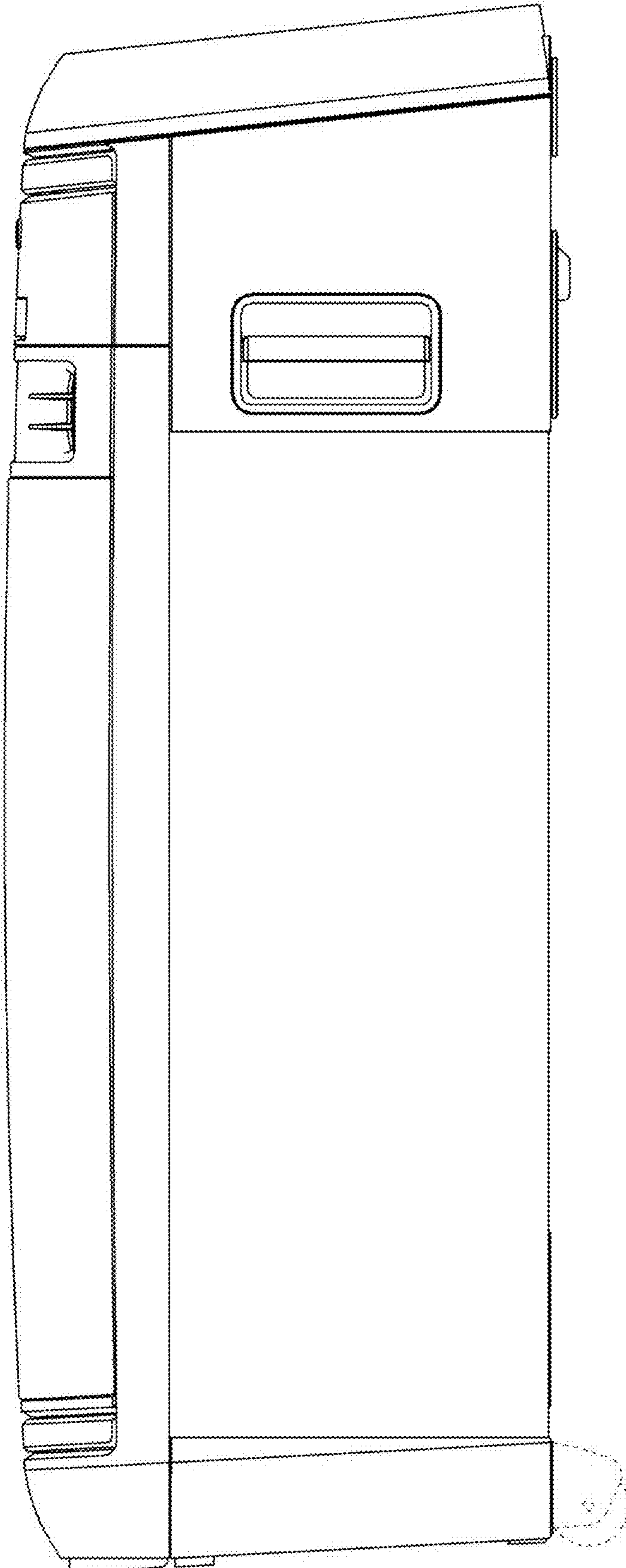
1.3



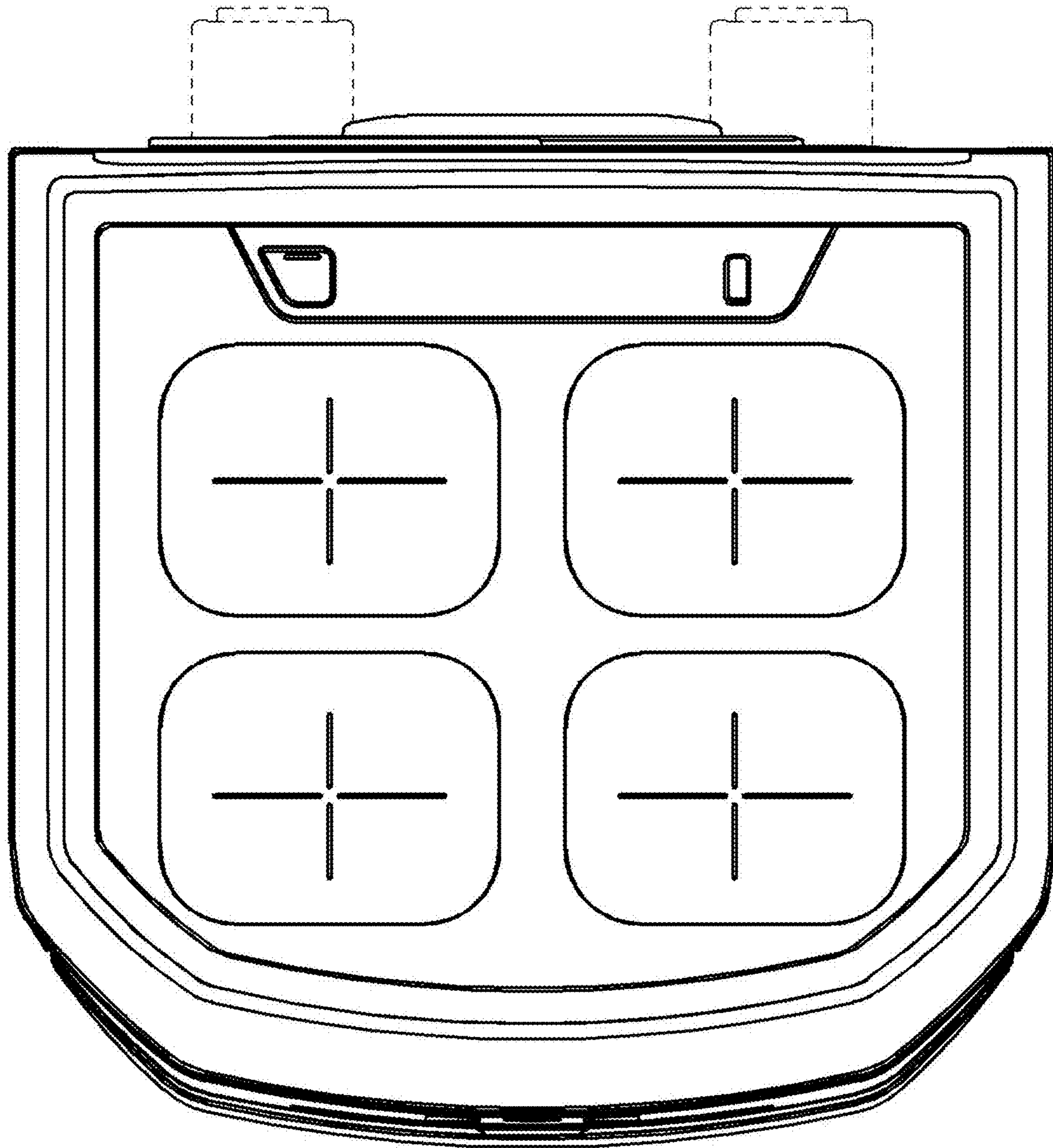
1.4



1.5



1.6



1.7

