



US00D891393S

(12) **United States Design Patent**
Lalvani

(10) **Patent No.:** **US D891,393 S**

(45) **Date of Patent:** **** *Jul. 28, 2020**

(54) **AUDIO SYSTEM**

(71) Applicant: **Binatone Electronics International Ltd, Hong Kong (HK)**

(72) Inventor: **Dino Lalvani, Hong Kong (HK)**

(73) Assignee: **Binatone Electronics International Ltd., Hong Kong (CN)**

(*) Notice: This patent is subject to a terminal disclaimer.

(**) Term: **15 Years**

(21) Appl. No.: **29/621,945**

(22) Filed: **Oct. 12, 2017**

(30) **Foreign Application Priority Data**

Apr. 13, 2017 (EM) 003856020-0001
Apr. 13, 2017 (EM) 003856020-0002

(51) **LOC (12) Cl.** **14-01**

(52) **U.S. Cl.**
USPC **D14/204**

(58) **Field of Classification Search**

USPC D14/167, 188, 204, 209.1, 210-215, 348,
D14/352, 498-505; 181/143, 144, 148,
181/153, 157, 198, 199; 369/6-12;
381/300-303, 361-364, 366, 386-388
CPC H04R 1/02; H04R 1/021; H04R 1/023;
H04R 5/00; H04R 9/06; H04R 2420/07
See application file for complete search history.

(56) **References Cited**

U.S. PATENT DOCUMENTS

D415,159 S * 10/1999 Nakano D14/215
D510,926 S * 10/2005 Jerome D14/168
D514,548 S * 2/2006 Chan D14/216
D525,880 S * 8/2006 Okamura D10/15
D541,260 S * 4/2007 Christianson D14/215

D552,054 S * 10/2007 Pena Angarita D14/496
D606,515 S * 12/2009 Ludlum D14/207
D616,415 S * 5/2010 Lum D14/188

* cited by examiner

Primary Examiner — Janice Patyk

(74) *Attorney, Agent, or Firm* — Patterson Intellectual Property Law, P.C.; Emily A. Shouse; Gary L. Montle

(57) **CLAIM**

What is claimed is the ornamental design for an audio system, as shown and described.

DESCRIPTION

FIG. 1 is a left side, top perspective view of embodiment one, of an audio system, showing my new design.

FIG. 2 is a front, top perspective view of the audio system of FIG. 1.

FIG. 3 is a right side elevation view of the audio system of FIG. 1.

FIG. 4 is a left side elevation view of the audio system of FIG. 1.

FIG. 5 is a rear elevational view of the audio system of FIG. 1.

FIG. 6 is a rear perspective view of the audio system of FIG. 1.

FIG. 7 is a left, top perspective view of embodiment two, of an audio system, showing my new design.

FIG. 8 is a right side elevational view of the audio system of FIG. 7.

FIG. 9 is a left side elevational view of the audio system of FIG. 7.

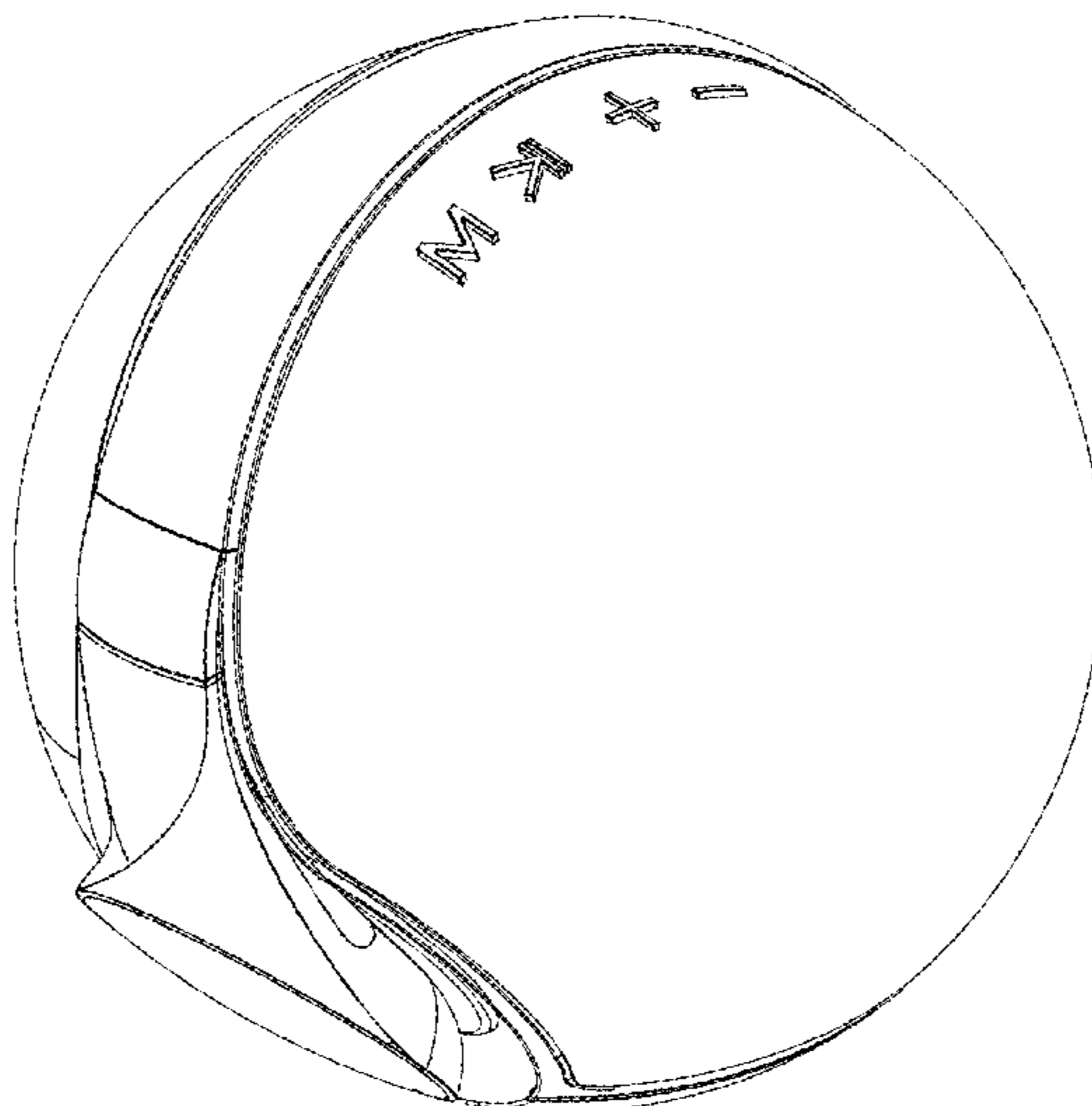
FIG. 10 is a rear elevational view of the audio system of FIG. 7.

FIG. 11 is a front, top perspective view of the audio system of FIG. 7; and,

FIG. 12 is a rear perspective view of the audio system of FIG. 7.

The broken line portions of the figure drawings are included to show portions of the article that form no part of the claimed design.

1 Claim, 12 Drawing Sheets



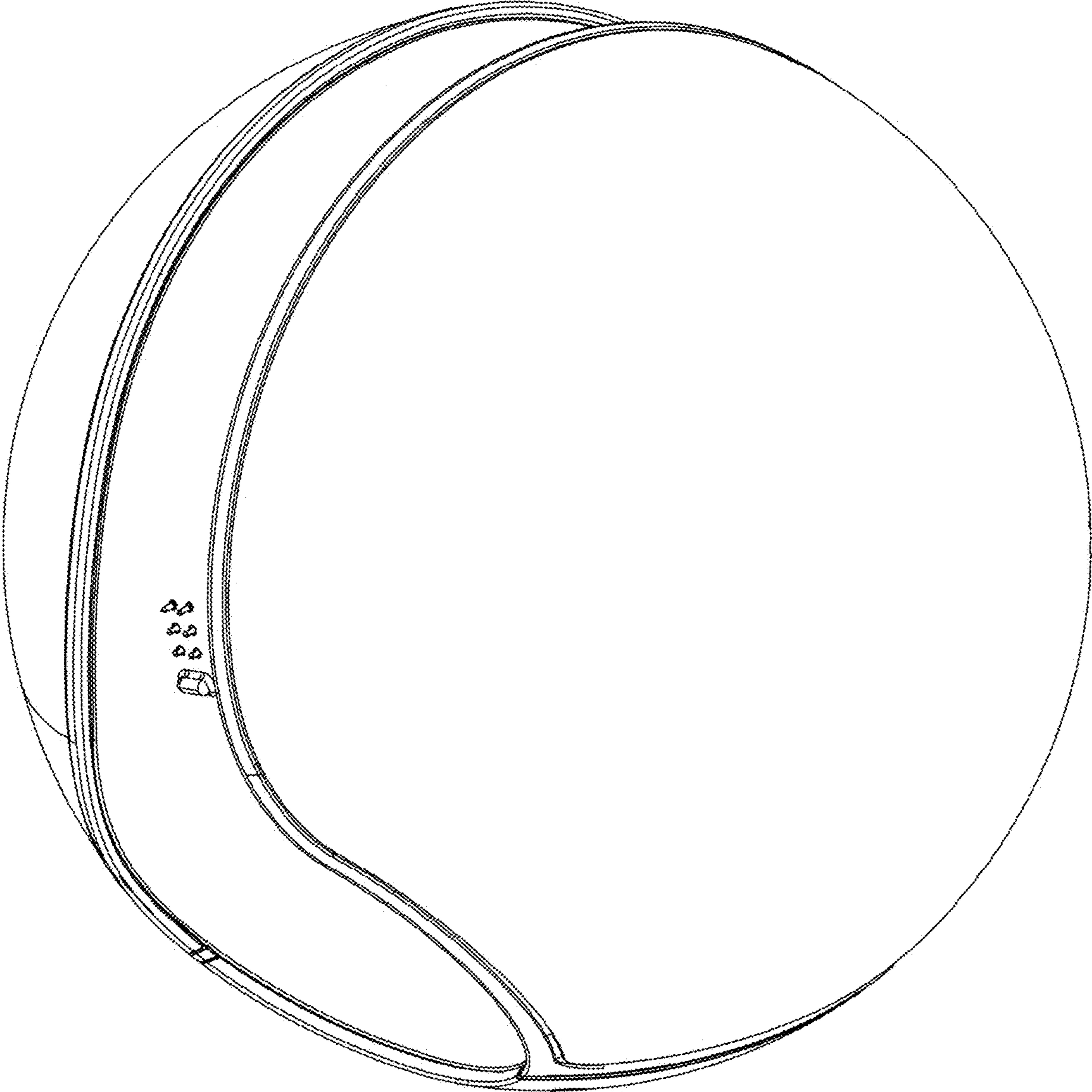


FIG. 1

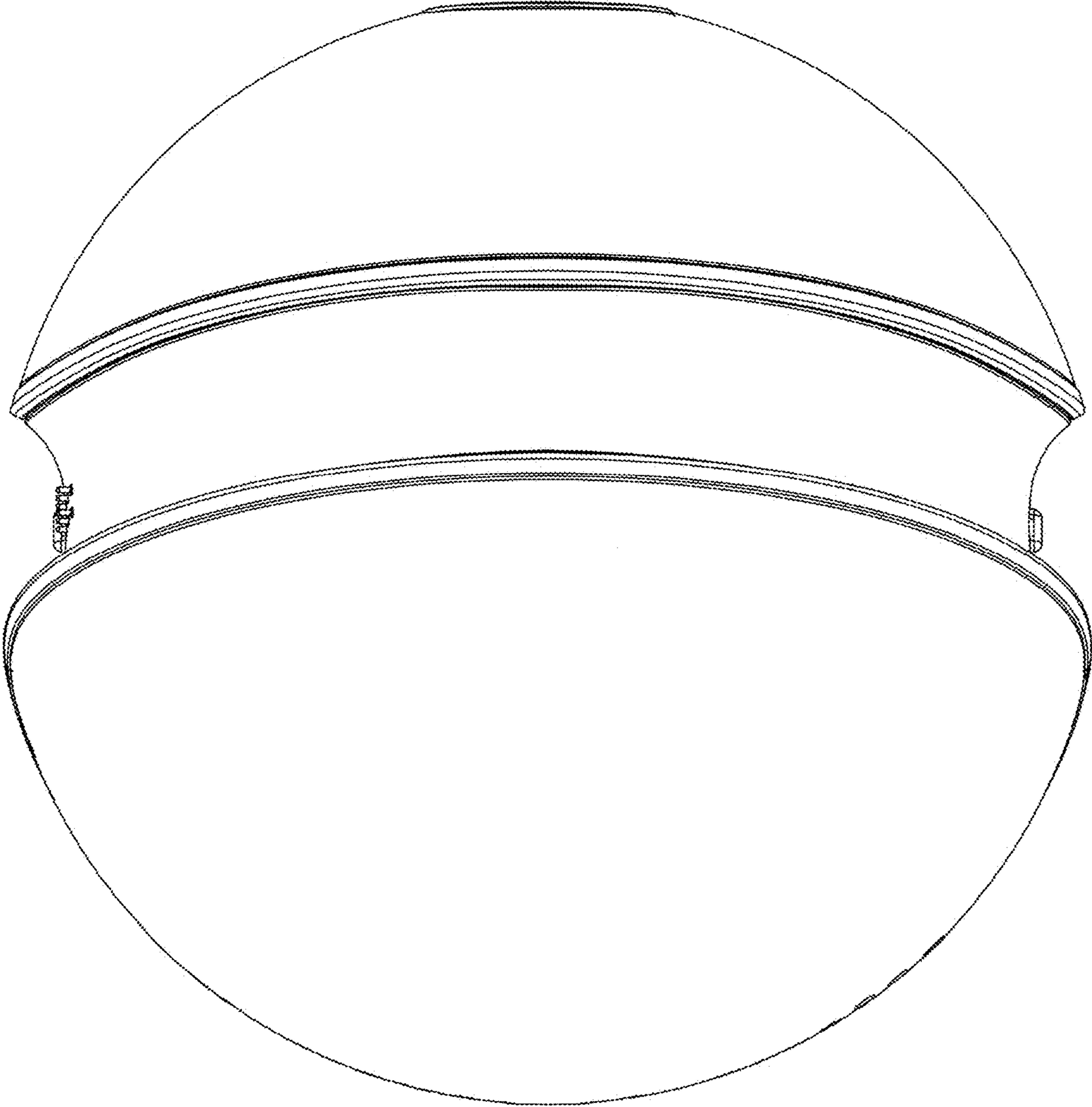


FIG. 2

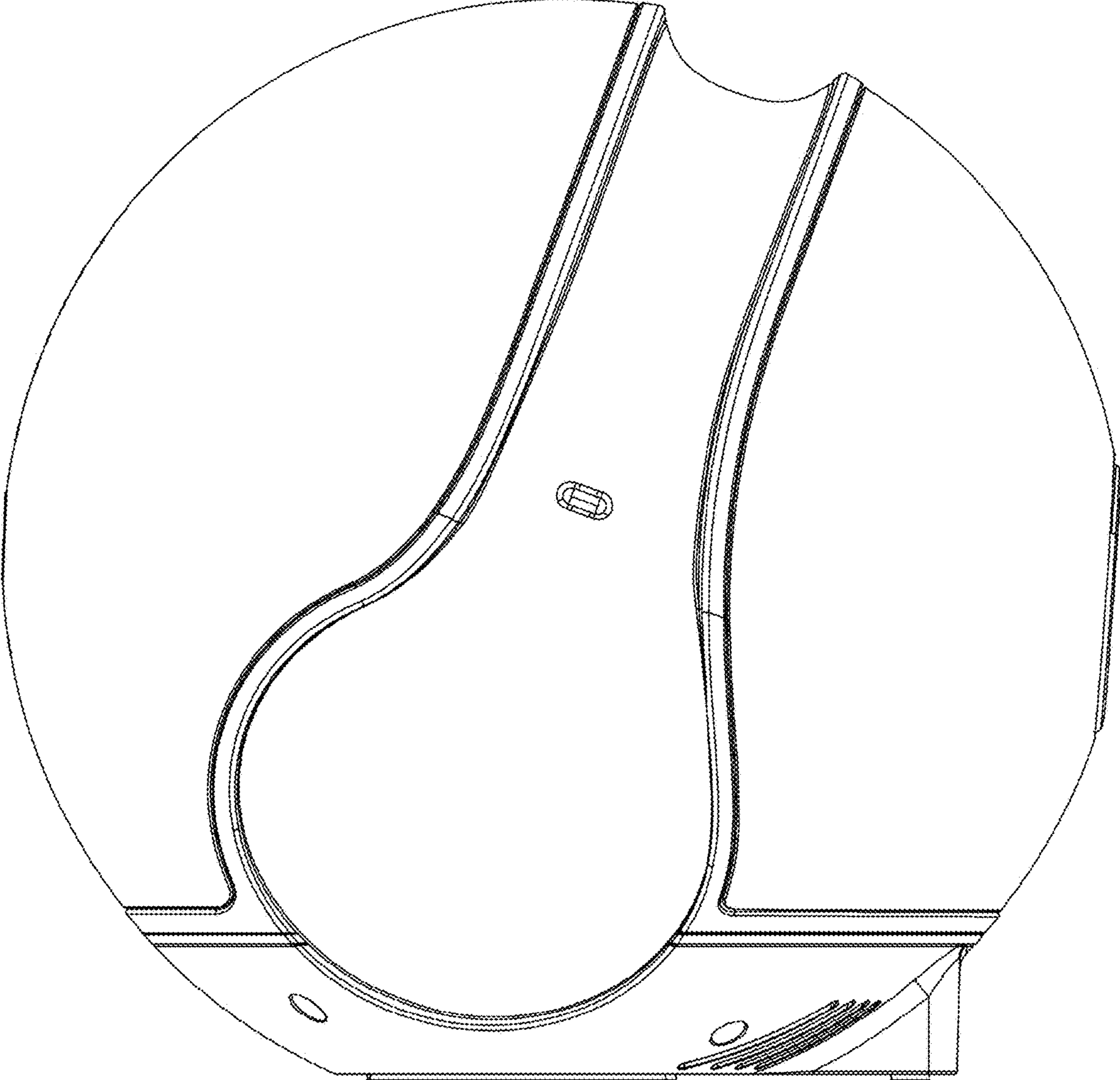


FIG. 3

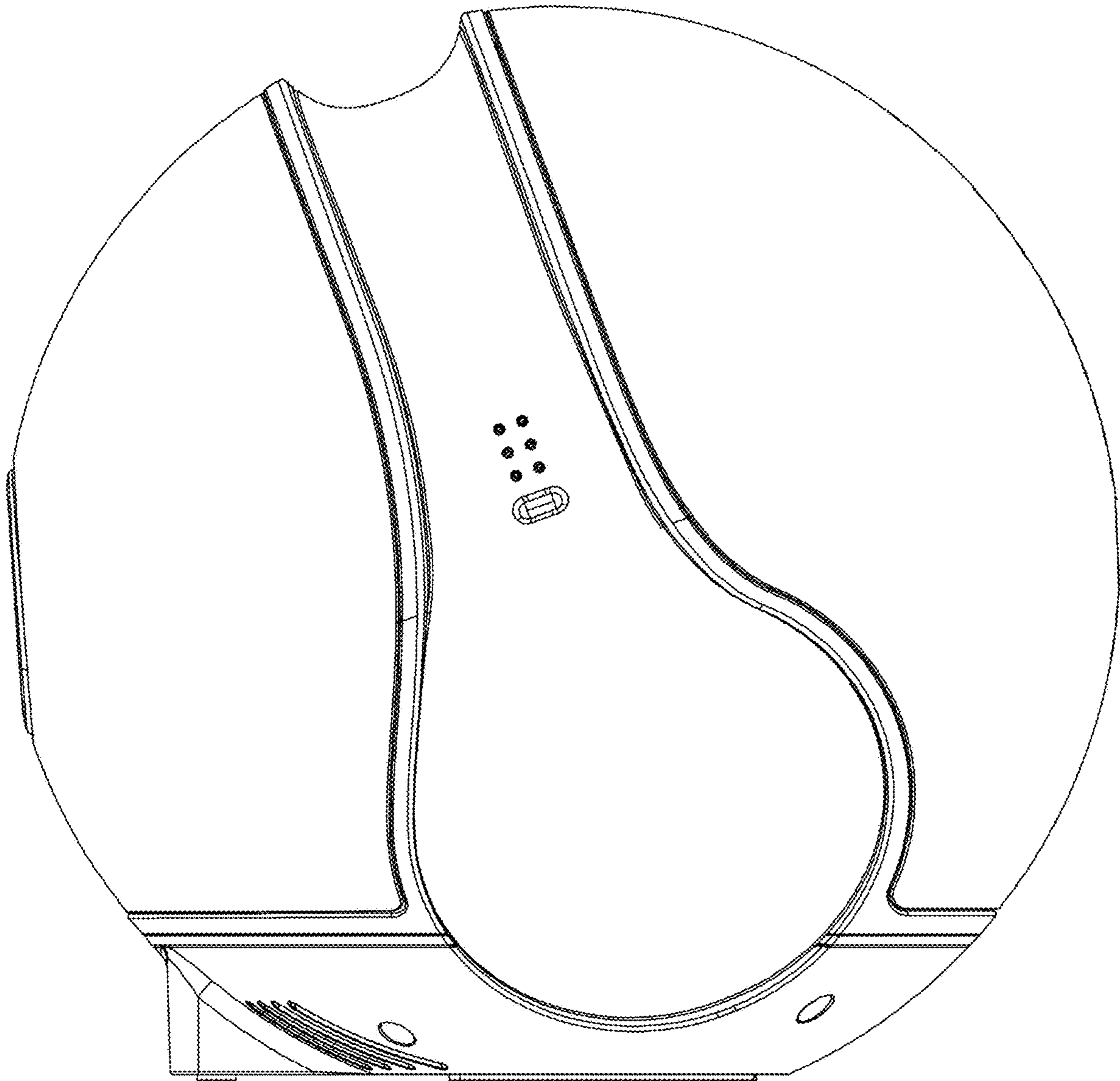


FIG. 4

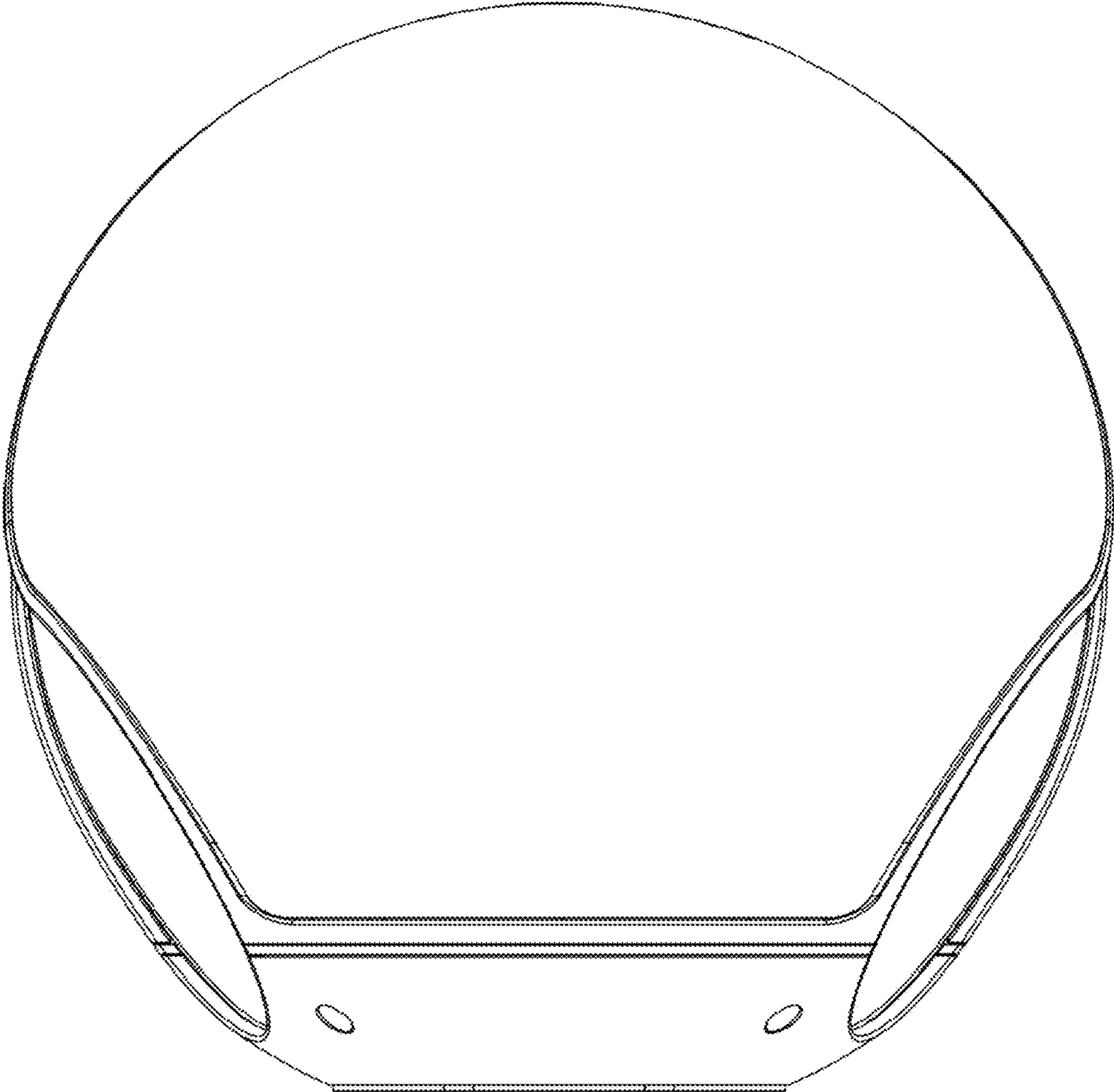


FIG. 5

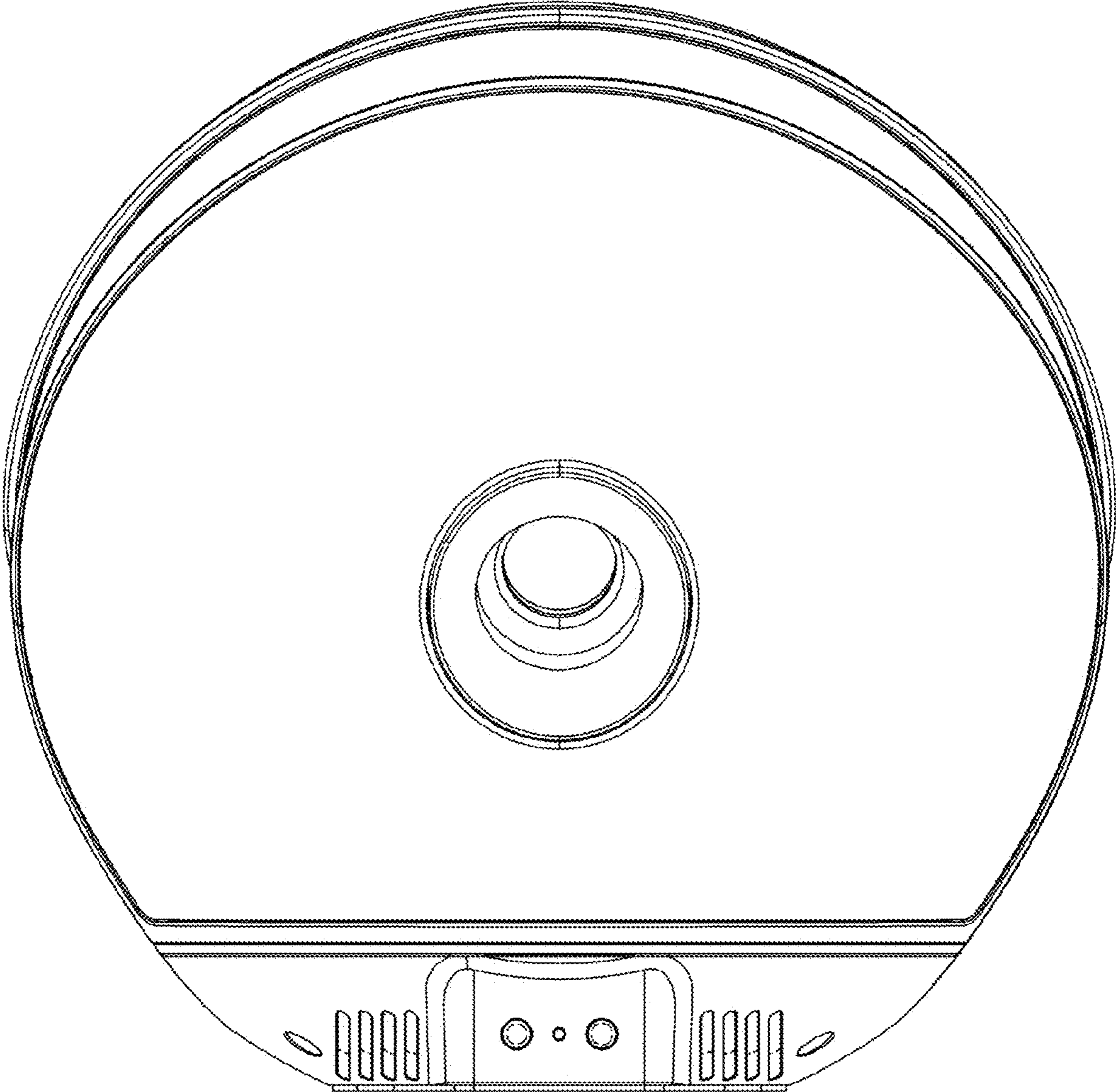


FIG. 6

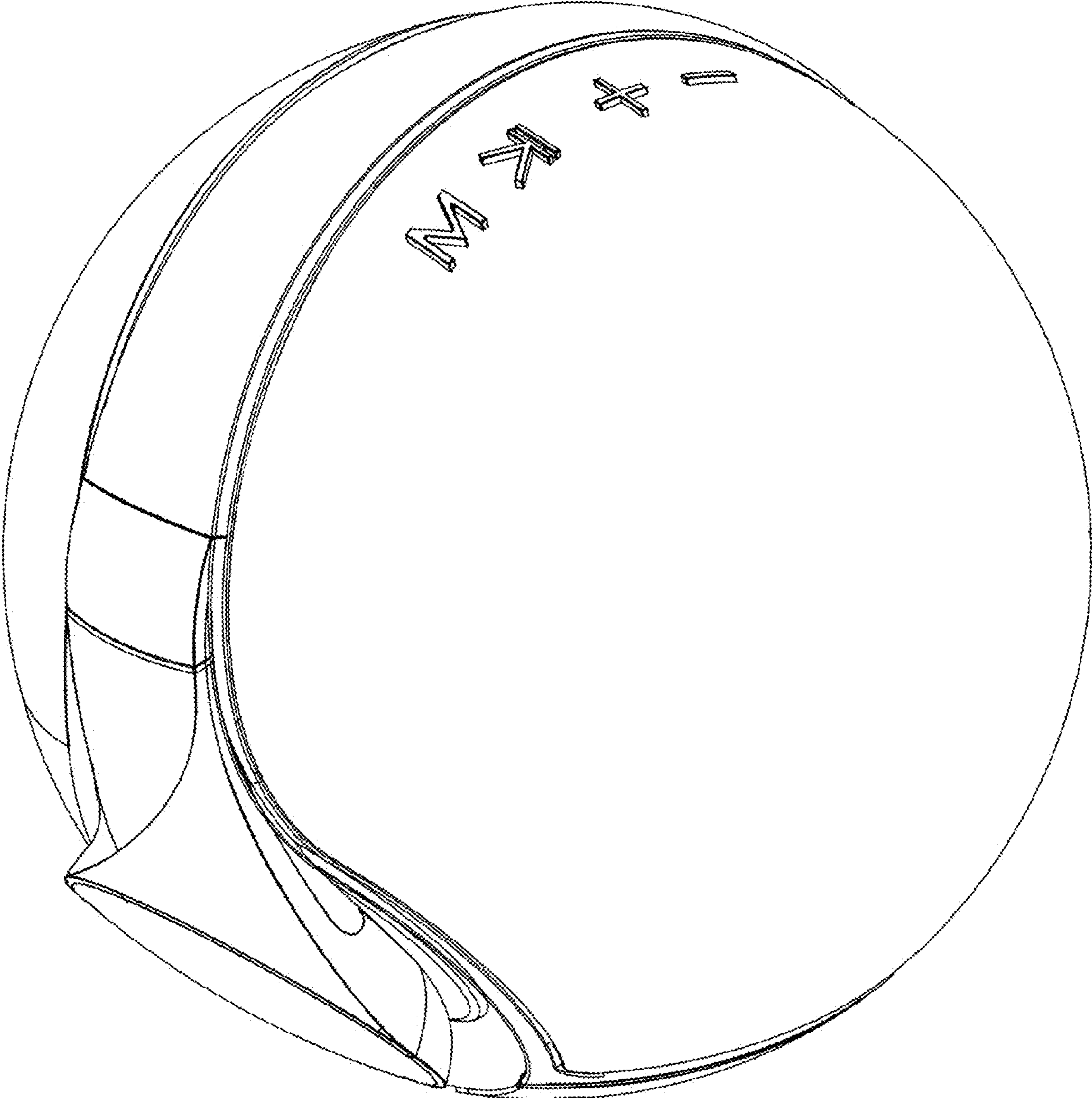


FIG. 7

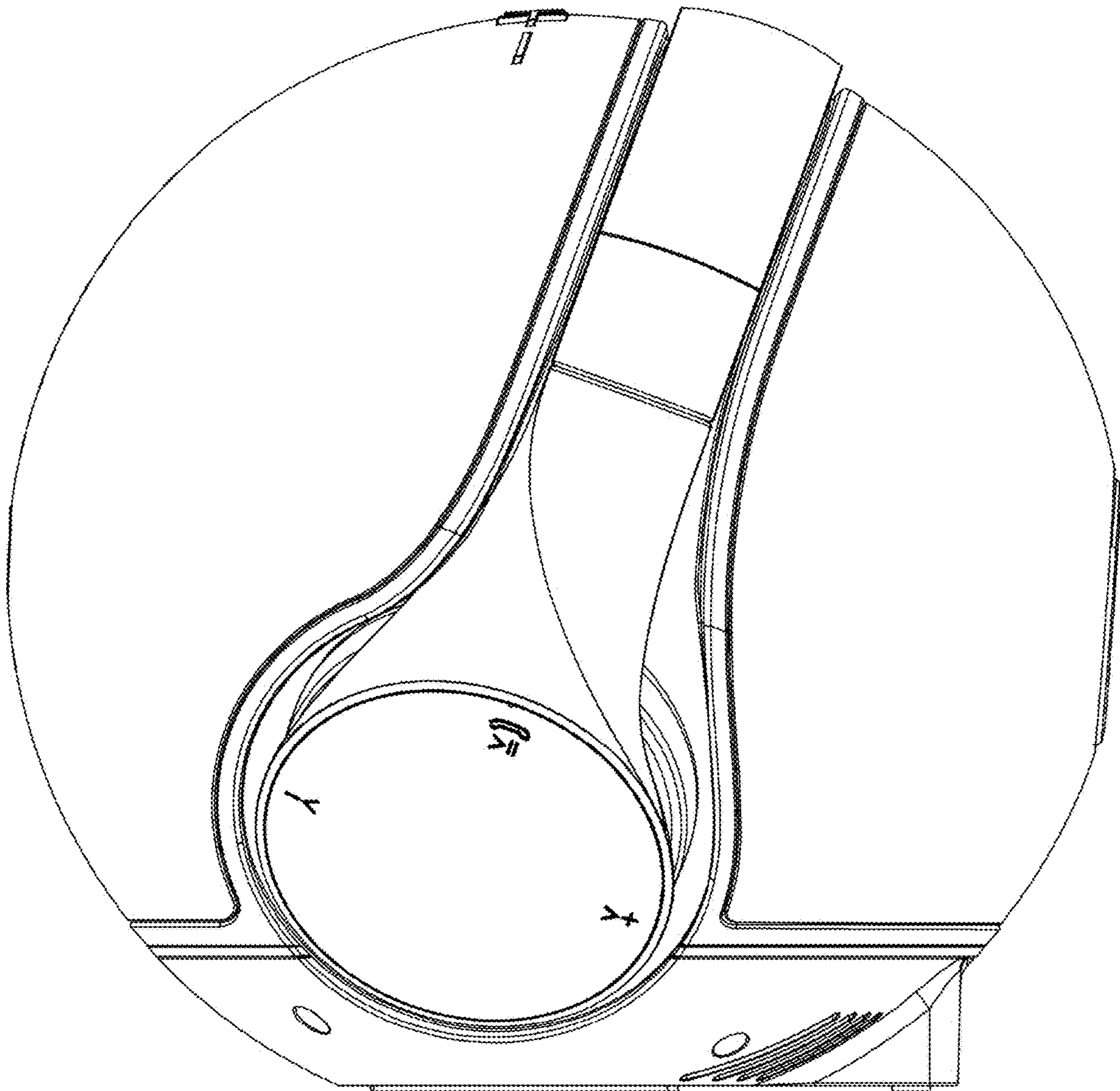


FIG. 8

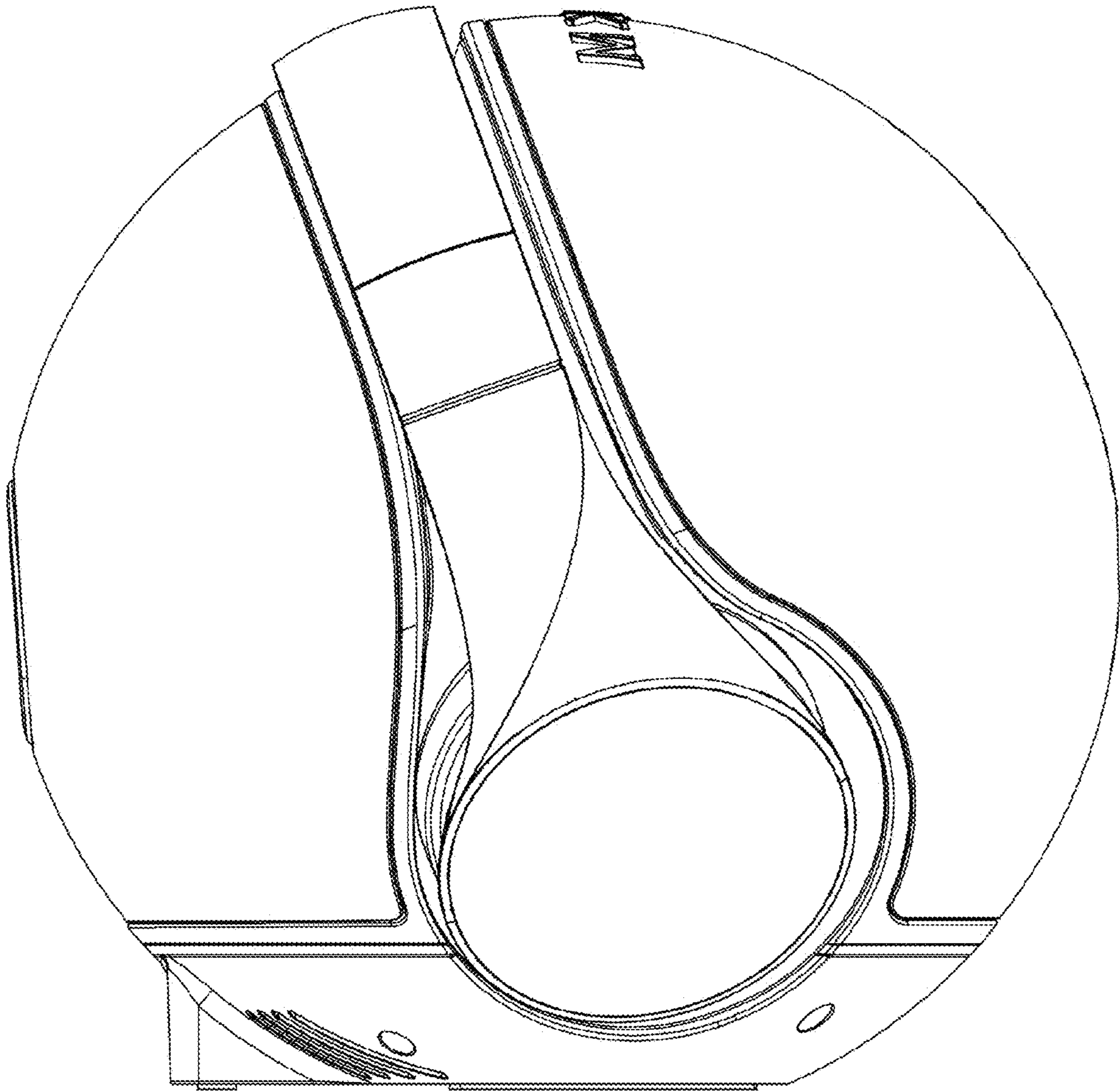


FIG. 9

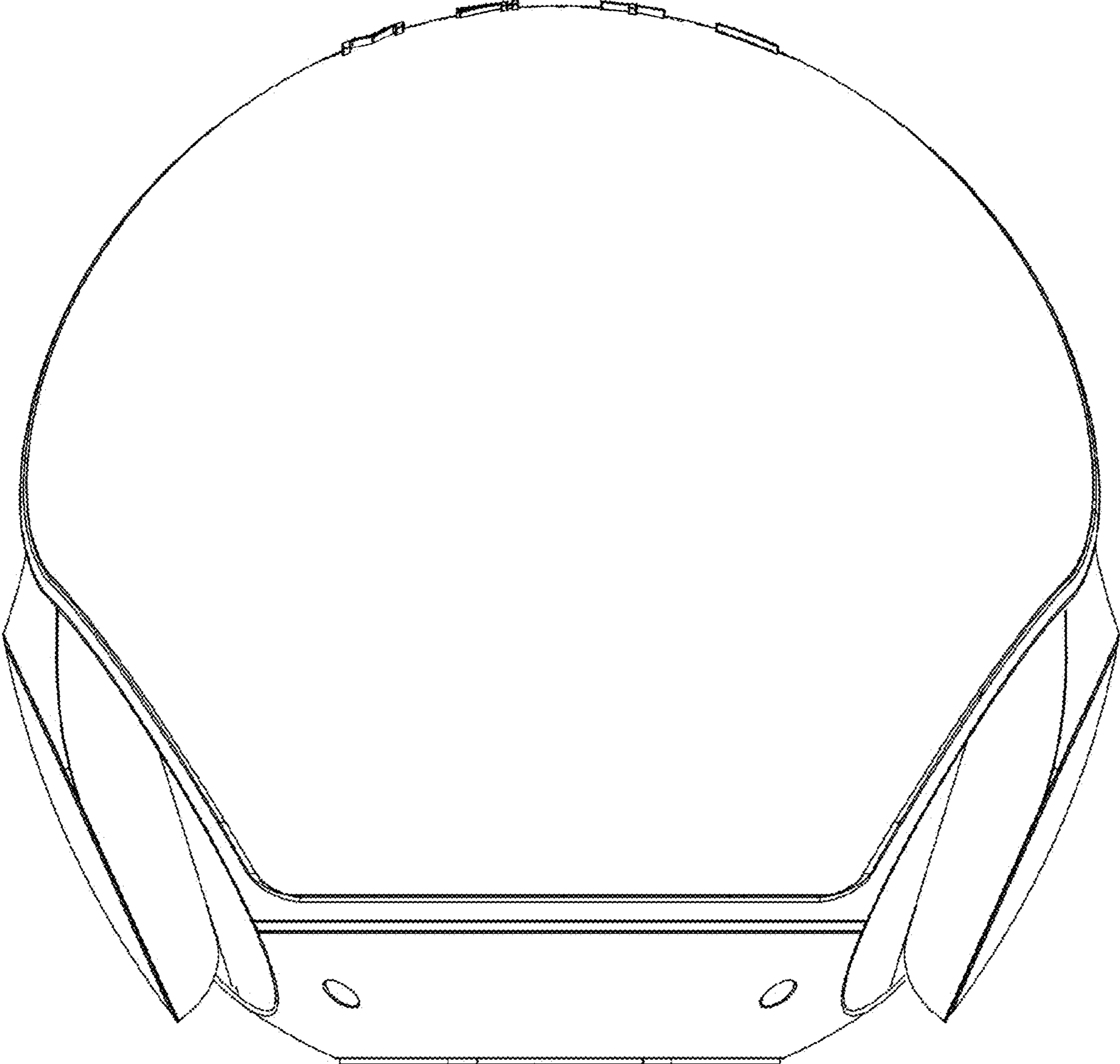


FIG. 10

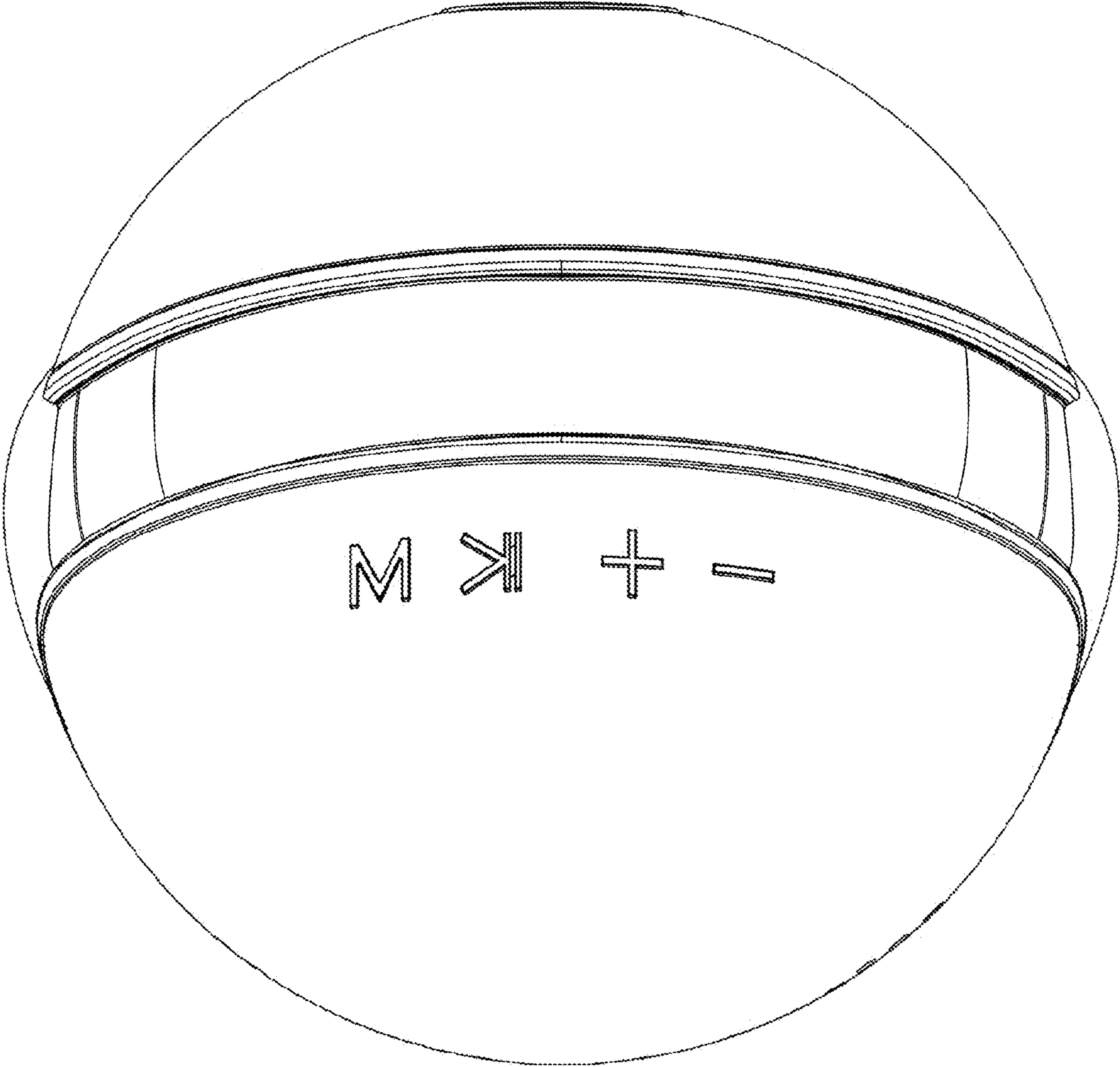


FIG. 11

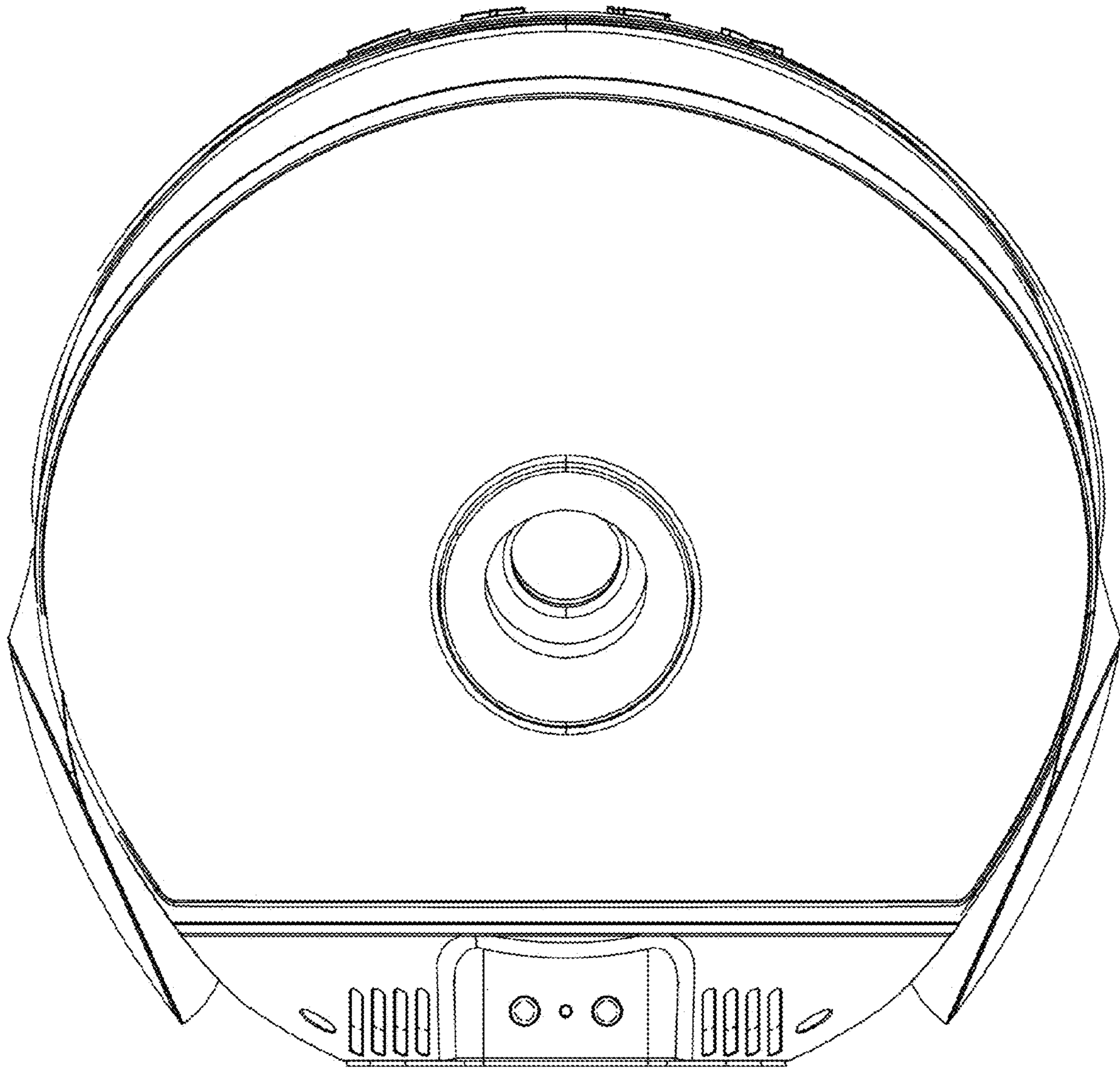


FIG. 12