



US00D891391S

(12) **United States Design Patent** (10) **Patent No.:** **US D891,391 S**
Haberlah (45) **Date of Patent:** **** Jul. 28, 2020**

(54) **FITTING FOR RACKS FOR ATTACHING SOUND EFFECT DEVICES**

(71) Applicant: **Hans-Peter Wilfer**, Markneukirchen (DE)

(72) Inventor: **Torsten Haberlah**, Bischberg (DE)

(73) Assignee: **Hans-Peter Wilfer**, Markneukirchen (DE)

(**) Term: **15 Years**

(21) Appl. No.: **29/634,221**

(22) Filed: **Jan. 19, 2018**

(30) **Foreign Application Priority Data**

Dec. 21, 2017 (EM) 004560035-0001

(51) **LOC (12) Cl.** **14-03**

(52) **U.S. Cl.**
USPC **D14/188**

(58) **Field of Classification Search**

USPC D14/167, 168, 170-172, 187, 188, D14/194-196, 204, 207, 209.1, 210-216, D14/219, 221, 222, 224, 239, 496; 181/143, 144, 147, 148, 150, 153, 157, 181/198, 199; 381/300-303, 306, 332, 381/333, 336, 345, 361-364, 386-388; 369/6-12
CPC B60R 11/0217; G06F 1/1688; G10K 9/22; G10K 11/004; H03F 1/327; H04M 1/03; H04M 1/035; H04N 5/642; H04N 21/4852; H04R 1/02; H04R 1/06; H04R 1/021; H04R 1/025; H04R 1/026; H04R 1/028; H04R 1/105; H04R 1/323; H04R 1/403; H04R 1/2803; H04R 1/2834; H04R 5/02; H04R 7/20; H04R 9/06; H04R 9/025; H04R 2201/021; H04R 2400/00; H04R 2400/07; H04R 2499/11; H04R 2499/13; H04R 2499/15; H04S 3/00; H04S 7/30

See application file for complete search history.

(56) **References Cited**

U.S. PATENT DOCUMENTS

D271,684 S *	12/1983	Berry, Jr.	D13/123
D317,162 S *	5/1991	Wingate	D14/167
D327,868 S *	7/1992	Oka	D13/110
D525,197 S *	7/2006	Tanabe	D13/123
D540,315 S *	4/2007	Merrow	D14/240
D544,462 S *	6/2007	Patel	D14/155
D546,277 S *	7/2007	Andre	D13/103
D573,985 S *	7/2008	Jeong	D14/240

(Continued)

Primary Examiner — Katie Jane Stofko

(74) *Attorney, Agent, or Firm* — Scarinci Hollenbeck, LLC; Libby Babu Varghese

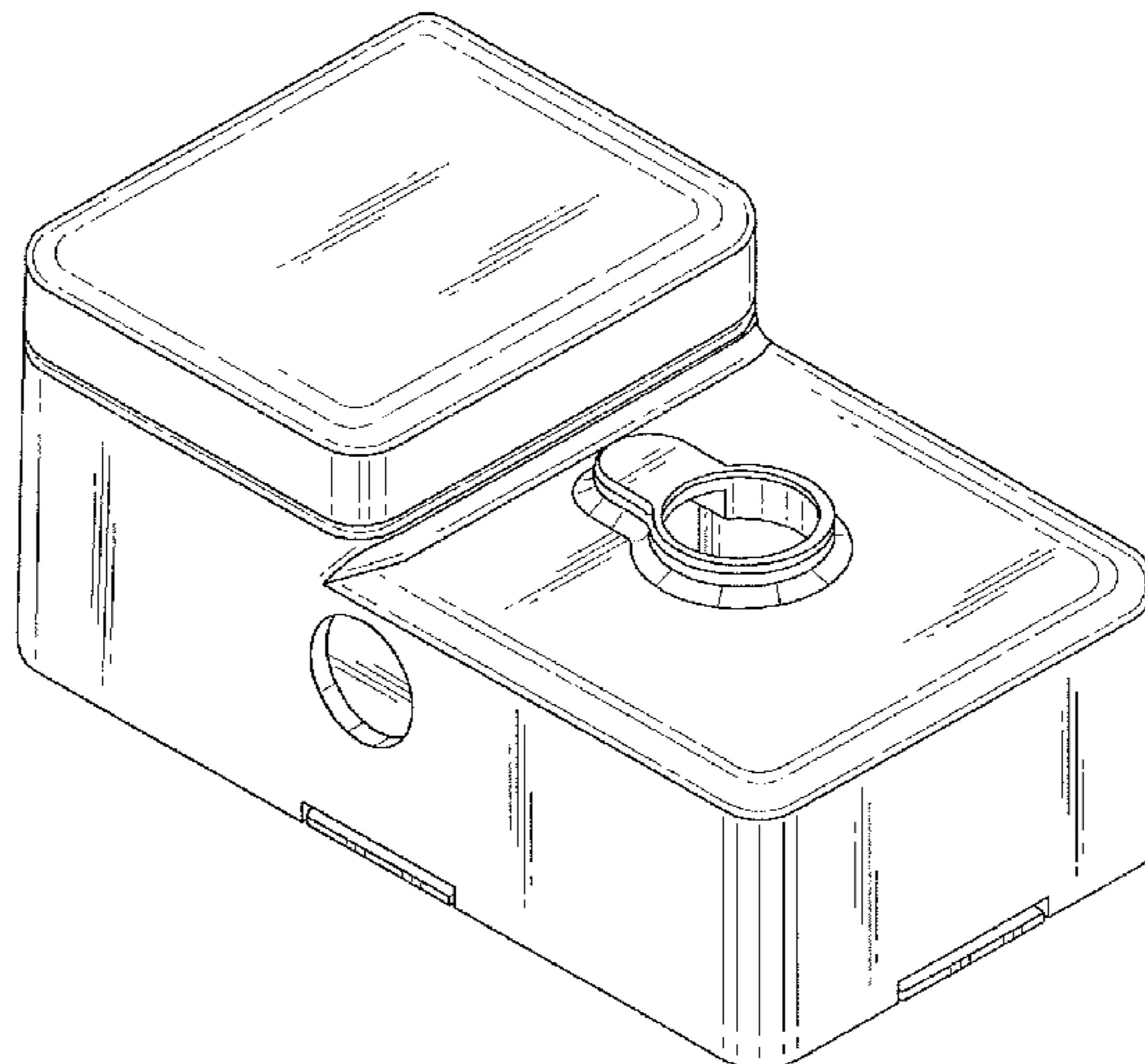
(57) **CLAIM**

The ornamental design for a fitting for racks for attaching sound effect devices, as shown.

DESCRIPTION

FIG. 1 is a perspective view of fitting for racks for attaching sound effect devices;
FIG. 2 is a front view of fitting for racks for attaching sound effect devices;
FIG. 3 is a rear view of fitting for racks for attaching sound effect devices;
FIG. 4 is a top view of fitting for racks for attaching sound effect devices;
FIG. 5 is a bottom view of fitting for racks for attaching sound effect devices;
FIG. 6 is a left-side view of fitting for racks for attaching sound effect devices; and,
FIG. 7 is a right-side view of fitting for racks for attaching sound effect devices.
The broken lines in FIGS. 5 and 7 illustrate portions of the fitting for racks for attaching sound effect devices that form no part of the claimed design.

1 Claim, 6 Drawing Sheets



(56)

References Cited

U.S. PATENT DOCUMENTS

D683,721 S *	6/2013	Ho	D14/240
D709,858 S *	7/2014	Kim	D14/171
D730,314 S *	5/2015	Chapman	D14/204
D835,078 S *	12/2018	Yun	D14/224
2019/0139523 A1 *	5/2019	Haberlah	G10H 1/32

* cited by examiner

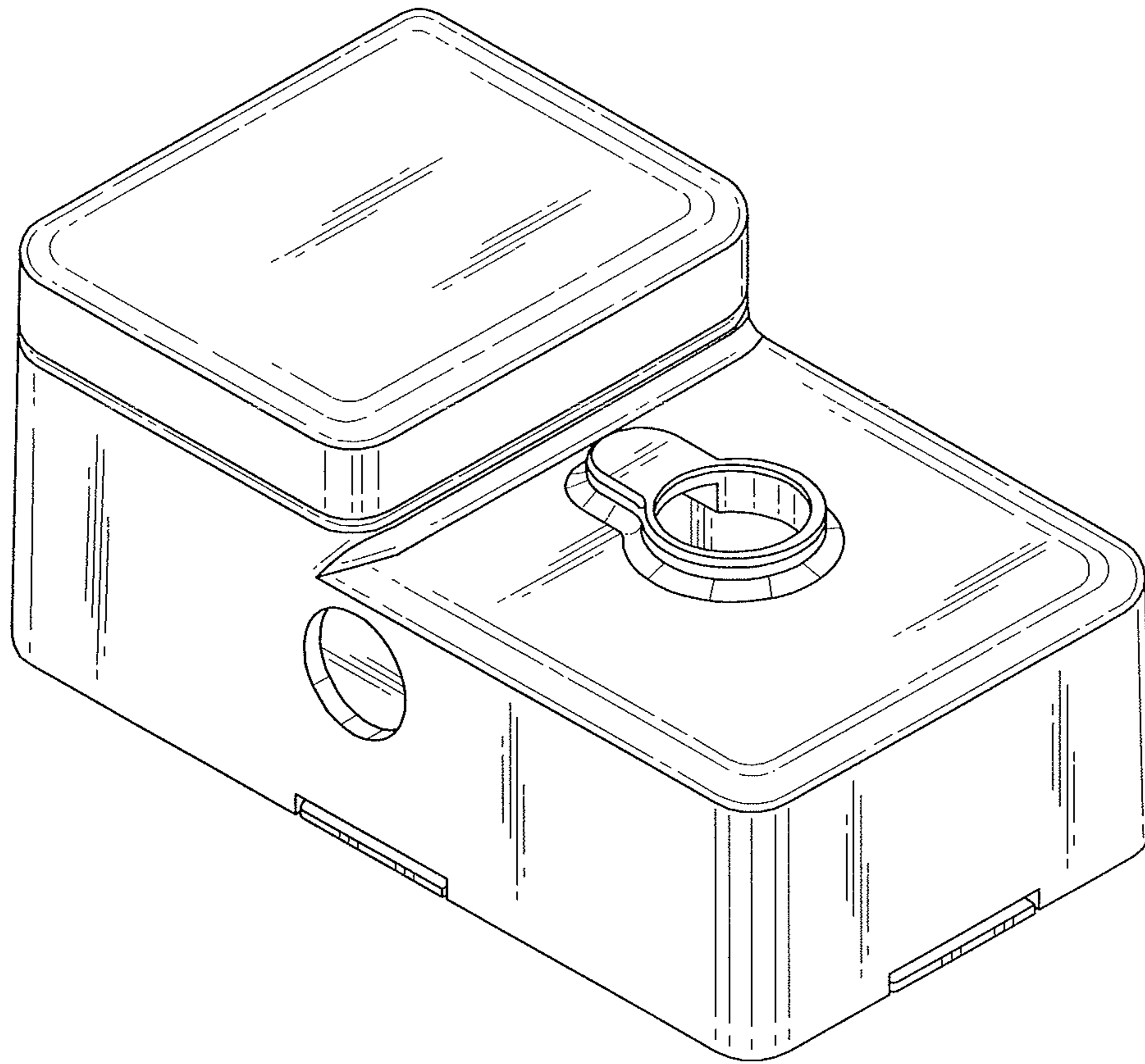


FIG. 1

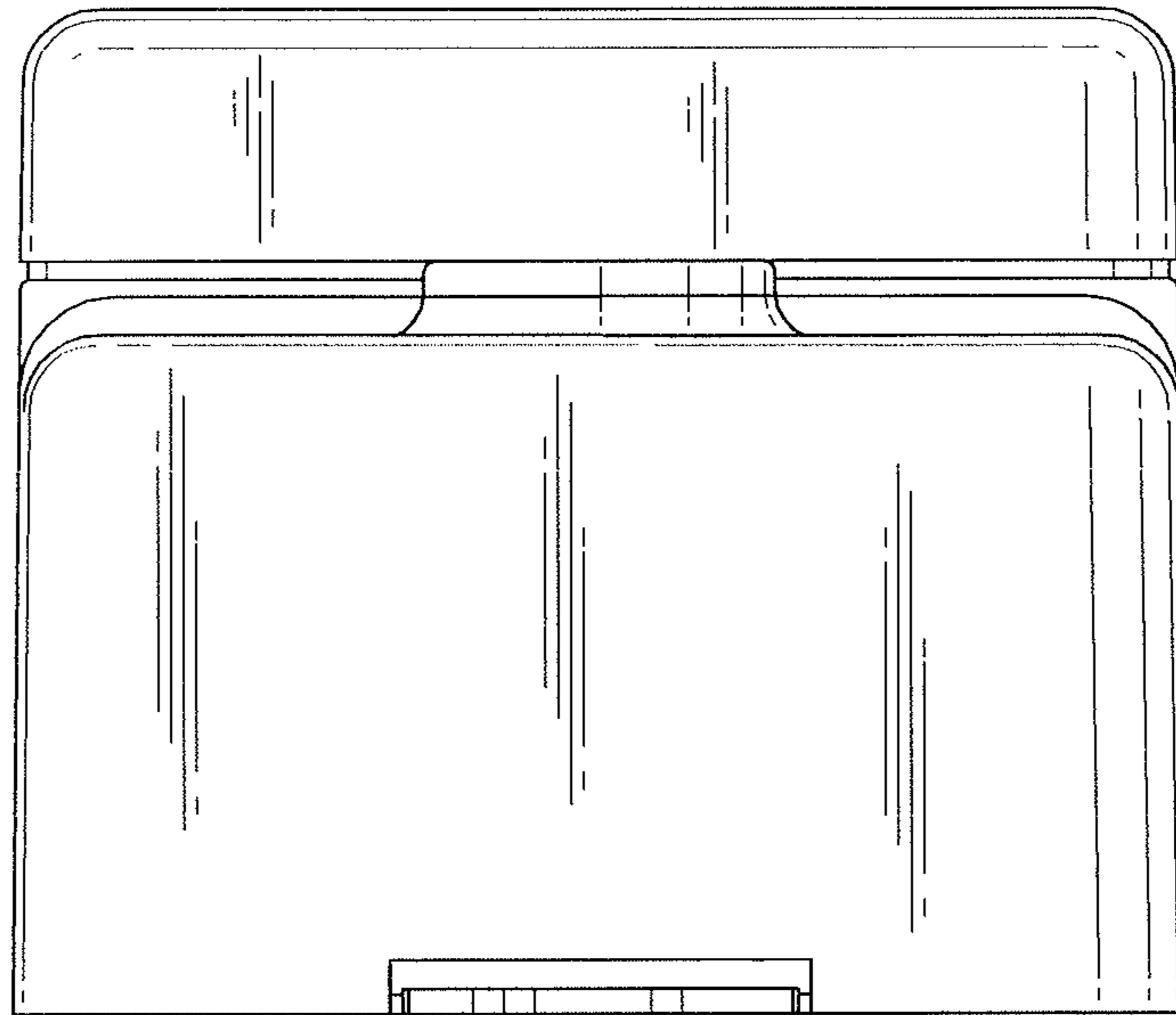


FIG. 2

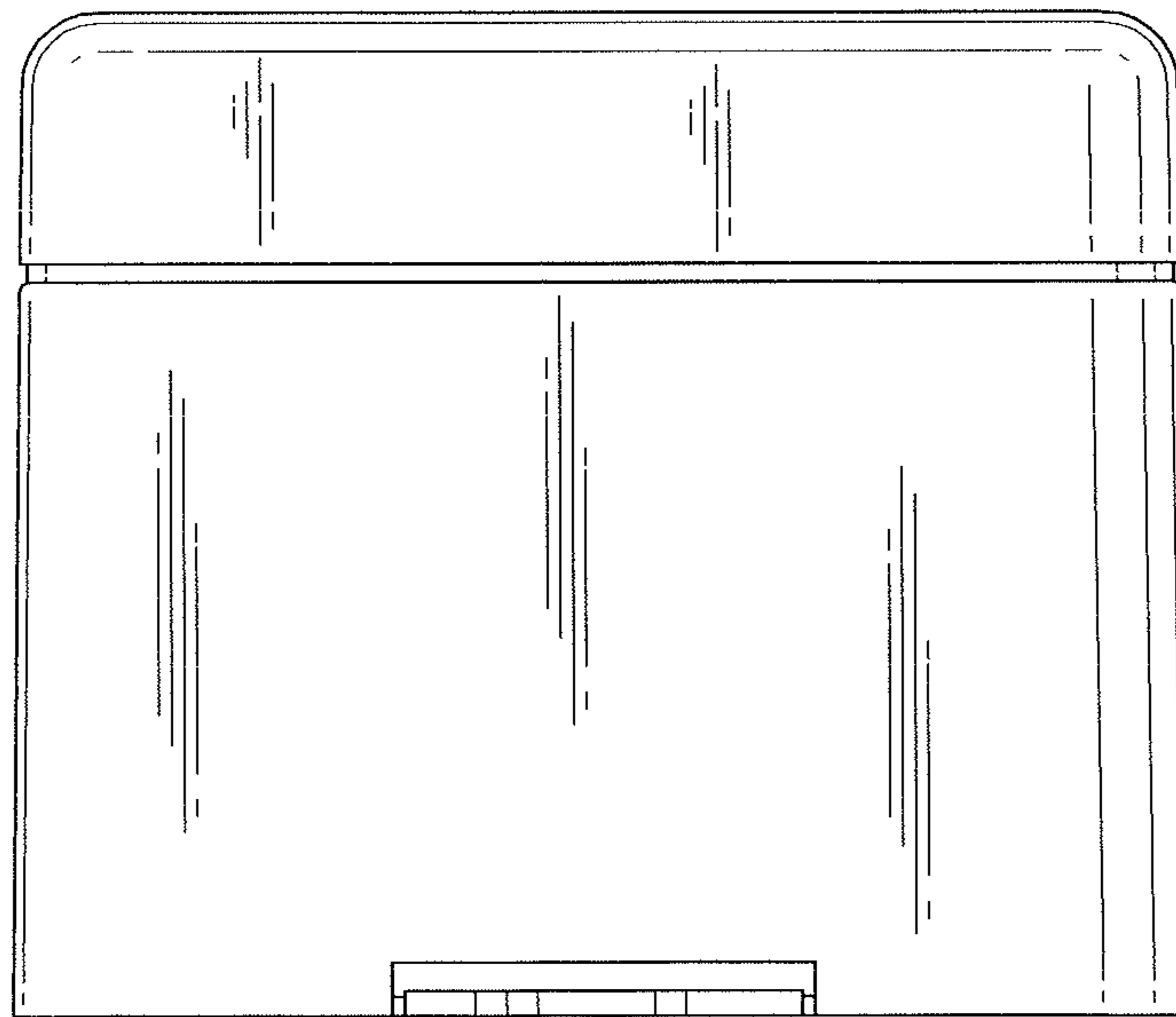


FIG. 3

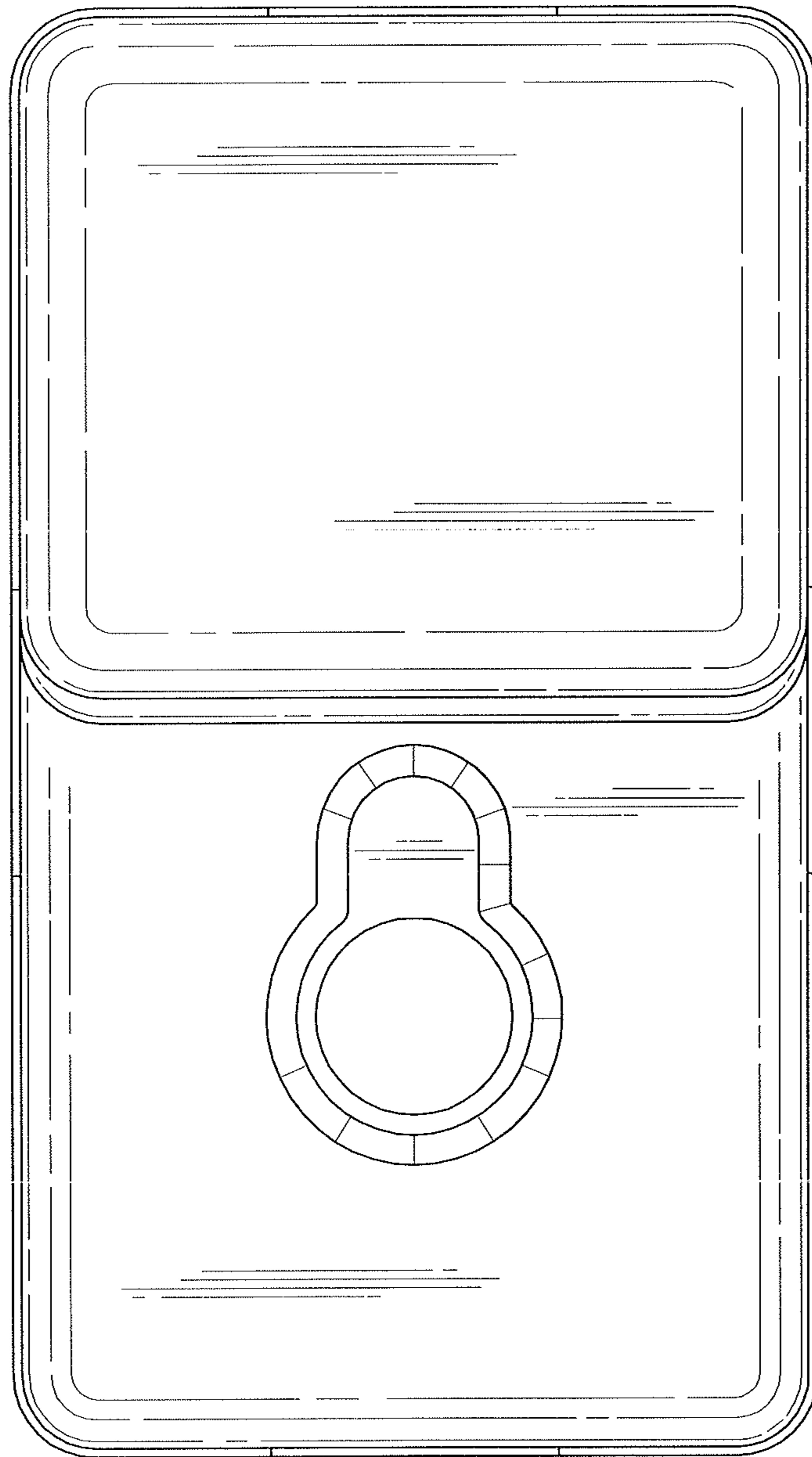


FIG. 4

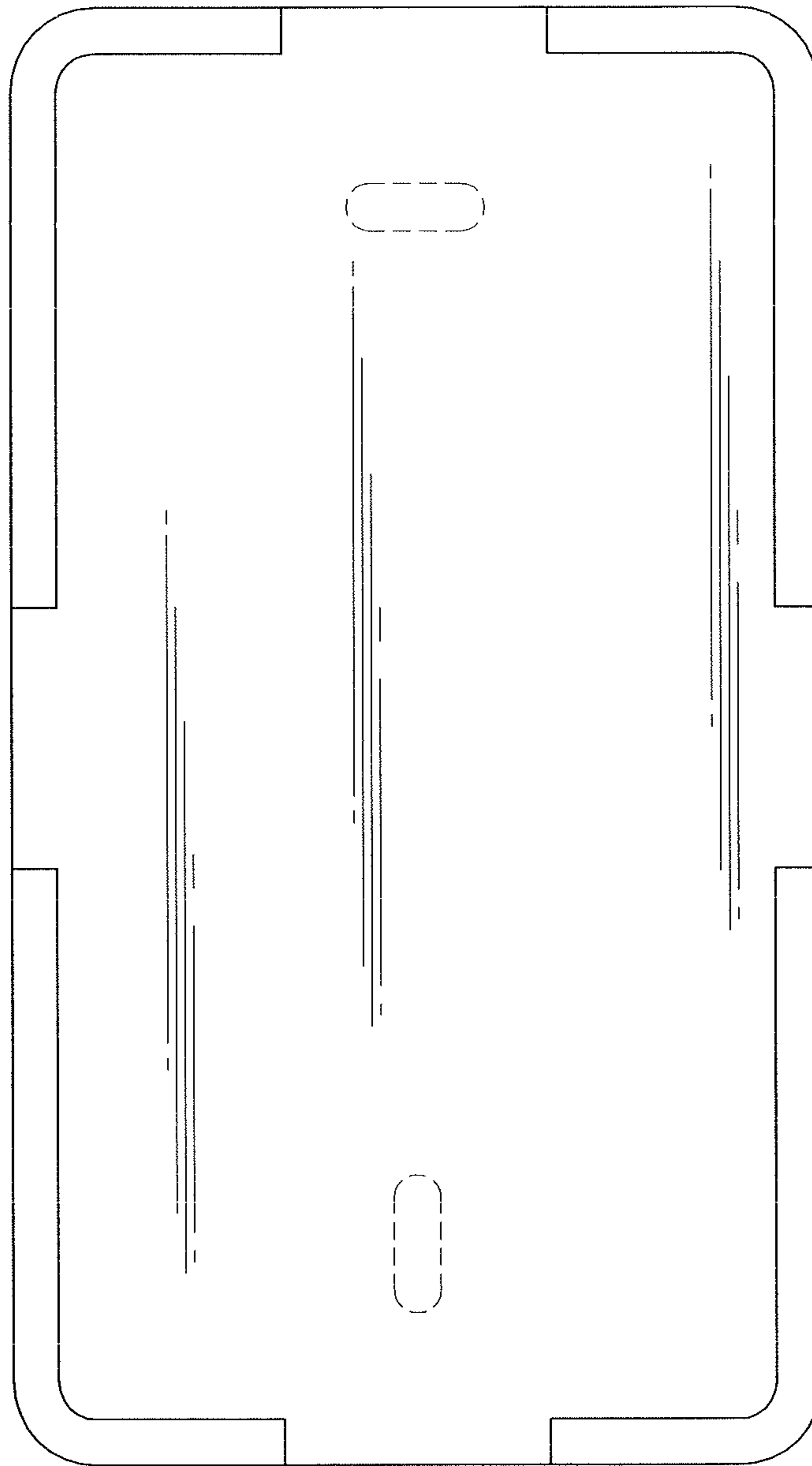


FIG. 5

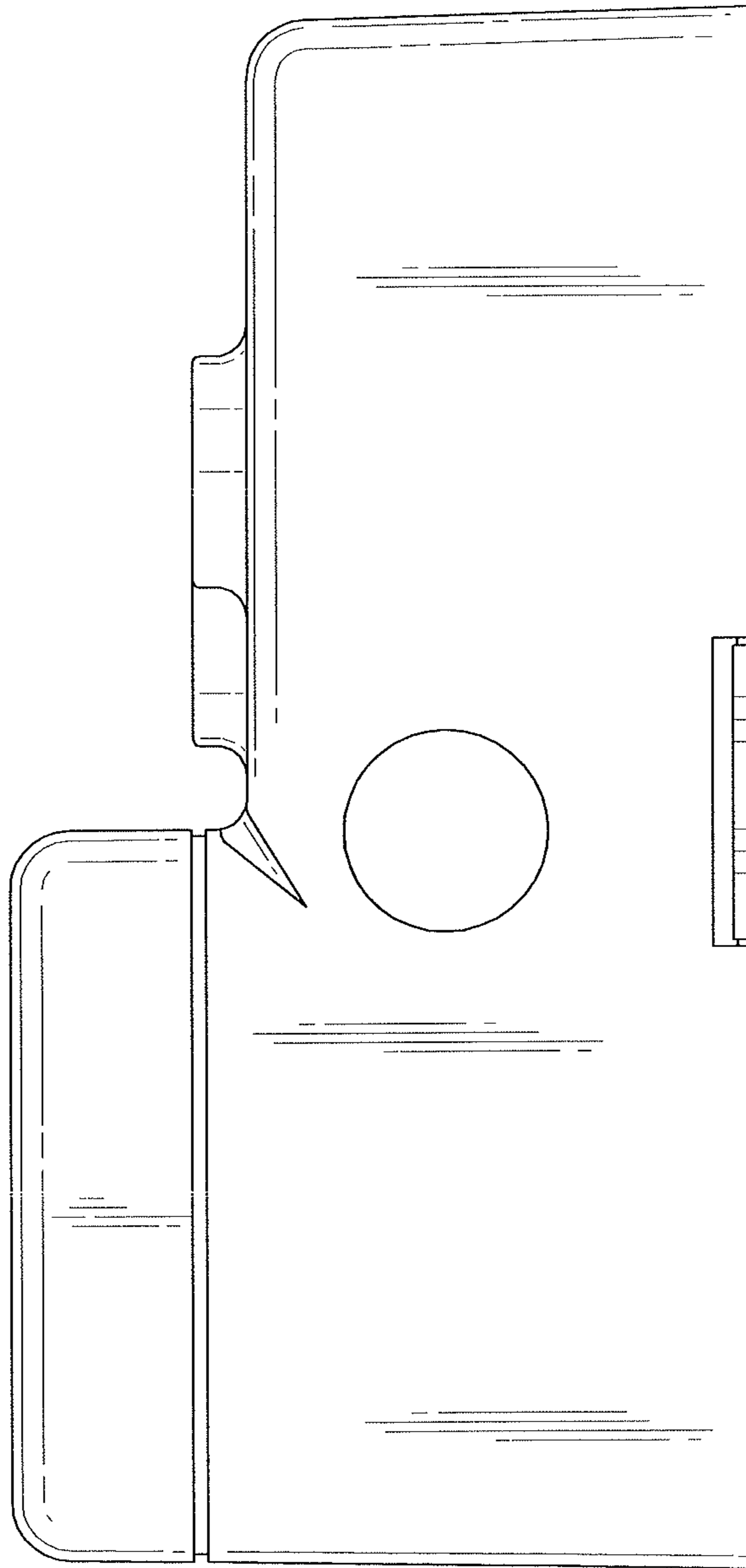


FIG. 6

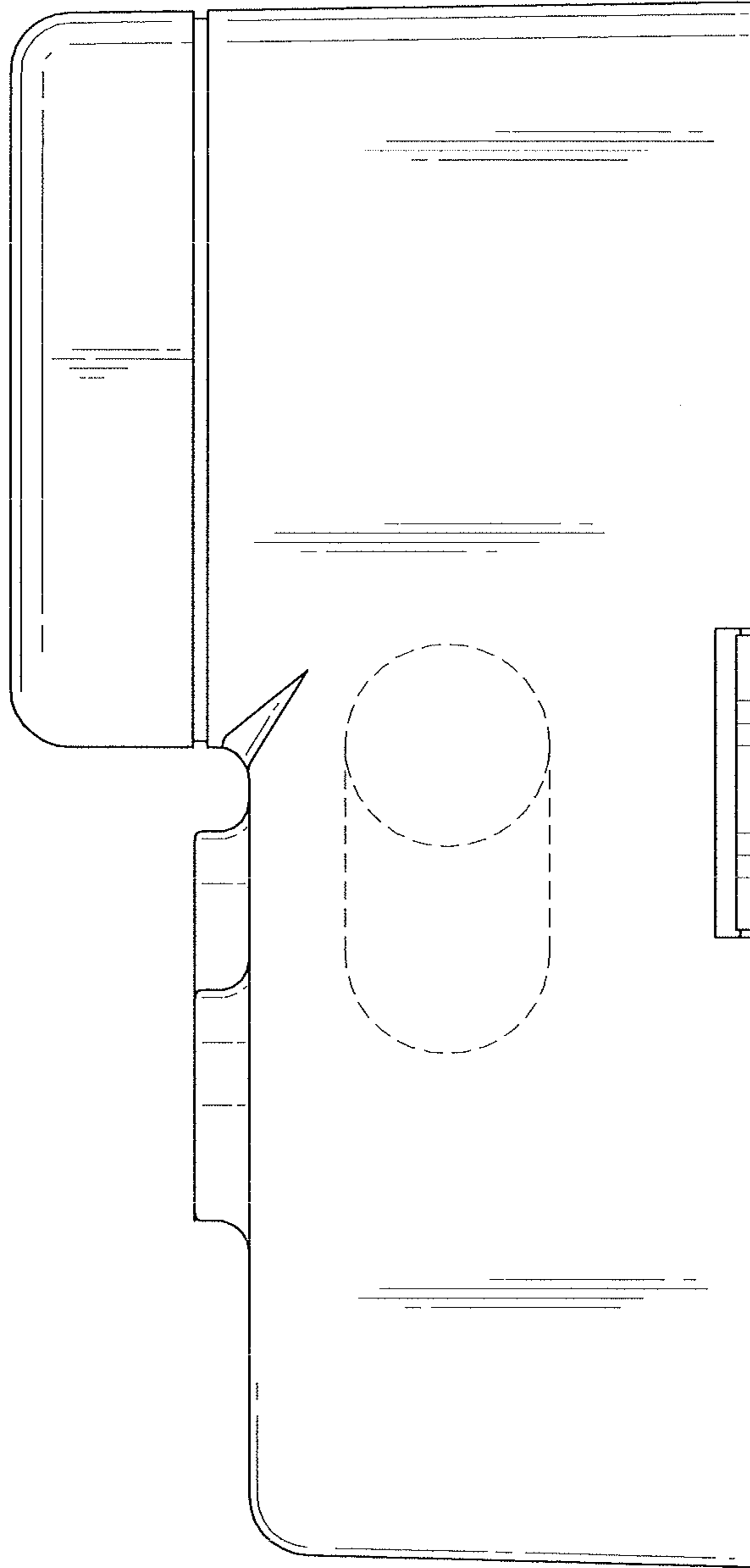


FIG. 7