



US00D891389S

(12) **United States Design Patent**  
**Zhang et al.**

(10) **Patent No.:** **US D891,389 S**  
(45) **Date of Patent:** **\*\* Jul. 28, 2020**

(54) **COMMUNICATION TERMINAL**  
(71) Applicant: **YEALINK (XIAMEN) NETWORK TECHNOLOGY CO., LTD.**, Xiamen, Fujian (CN)  
(72) Inventors: **Jiancheng Zhang**, Fujian (CN); **Jingfeng Su**, Fujian (CN)  
(73) Assignee: **YEALINK (XIAMEN) NETWORK TECHNOLOGY CO., LTD.**, Xiamen (CN)  
(\*\*) Term: **15 Years**

(21) Appl. No.: **29/680,541**  
(22) Filed: **Feb. 17, 2019**  
(30) **Foreign Application Priority Data**  
Oct. 19, 2018 (CN) ..... 2018 3 0585451

(51) **LOC (12) Cl.** ..... **14-03**  
(52) **U.S. Cl.**  
USPC ..... **D14/151**  
(58) **Field of Classification Search**  
USPC ... D14/140, 140.1, 140.7, 140.8, 141.2, 142, D14/144, 147, 148, 149, 150, 151, 158, D14/159, 188, 217, 240, 243, 247, 248, D14/251, 299, 329, 462, 467, 471, 130, D14/403, 338, 330; D21/517  
CPC ..... H04M 1/00; H04M 1/003; H04M 1/02; H04M 1/0289; H04M 1/0297; H04M 1/0214; H04M 1/03; H04M 1/23; H04M 1/253; H04M 1/2535; H04M 7/006  
See application file for complete search history.

(56) **References Cited**  
**U.S. PATENT DOCUMENTS**  
D304,564 S \* 11/1989 Kido ..... D14/151  
D306,444 S \* 3/1990 Fried ..... D14/151

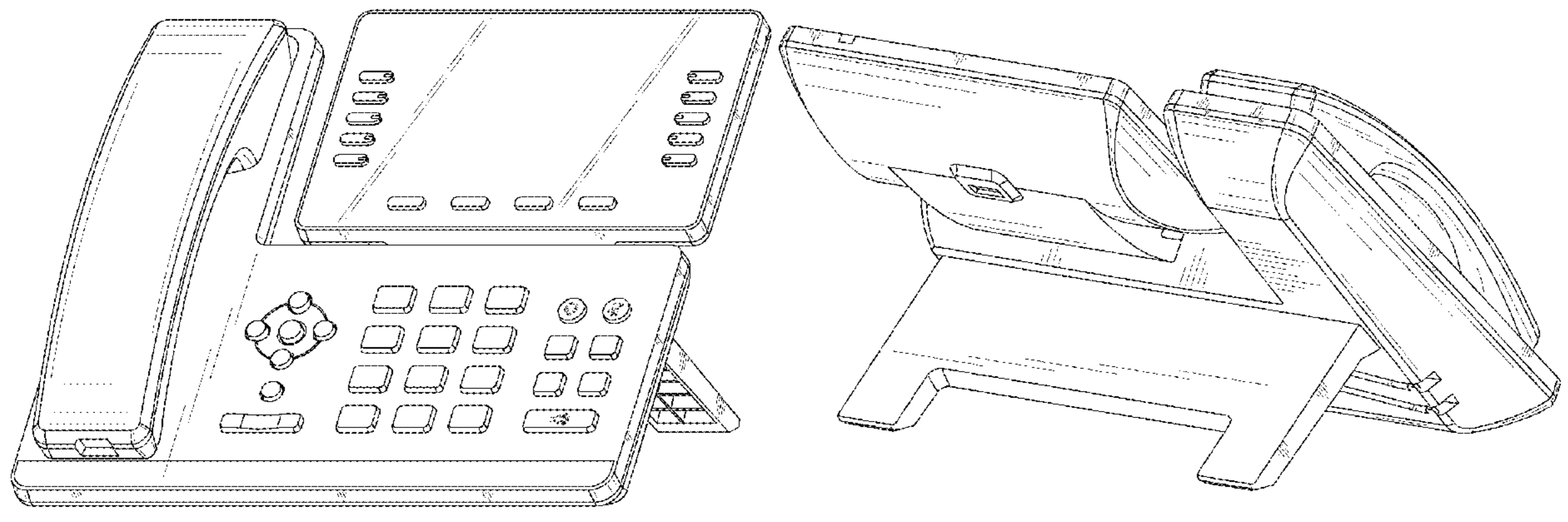
D374,667 S \* 10/1996 Elkins ..... D14/151  
D375,095 S \* 10/1996 Hillenmayer ..... D14/151  
D405,447 S \* 2/1999 Landry ..... D14/151  
D410,005 S \* 5/1999 Landry ..... D14/151  
D489,700 S \* 5/2004 Hillenmayer ..... D14/151  
D512,705 S \* 12/2005 Bhavnani ..... D14/151  
D557,249 S \* 12/2007 Weidinger ..... D14/151  
D558,730 S \* 1/2008 Nakashima ..... D14/151  
D616,843 S \* 6/2010 Jones ..... D14/130  
8,537,990 B2 \* 9/2013 Rudman ..... H04M 1/2478  
340/540  
D829,189 S \* 9/2018 Su ..... D14/151  
D829,683 S \* 10/2018 Su ..... D14/151  
D843,965 S \* 3/2019 Su ..... D14/151  
D877,711 S \* 3/2020 Taniguchi ..... D14/151

\* cited by examiner  
*Primary Examiner* — Marie D. Fast Horse

(57) **CLAIM**  
The ornamental design for a communication terminal, as shown and described.

**DESCRIPTION**  
FIG. 1 is a front elevational view of a communication terminal showing our new design;  
FIG. 2 is a rear elevational view thereof;  
FIG. 3 is a left side view thereof;  
FIG. 4 is a right side view thereof;  
FIG. 5 is a top plan view thereof;  
FIG. 6 is a bottom plan view thereof;  
FIG. 7 is a front and right side perspective view thereof;  
FIG. 8 is a top, rear and left side perspective view thereof;  
and,  
FIG. 9 is a bottom, rear and right side perspective view thereof.  
The broken lines in the drawings illustrate portions of the communication terminal which form no part of the claimed design. The oblique shade lines in the drawings represent a reflective surface.

**1 Claim, 8 Drawing Sheets**



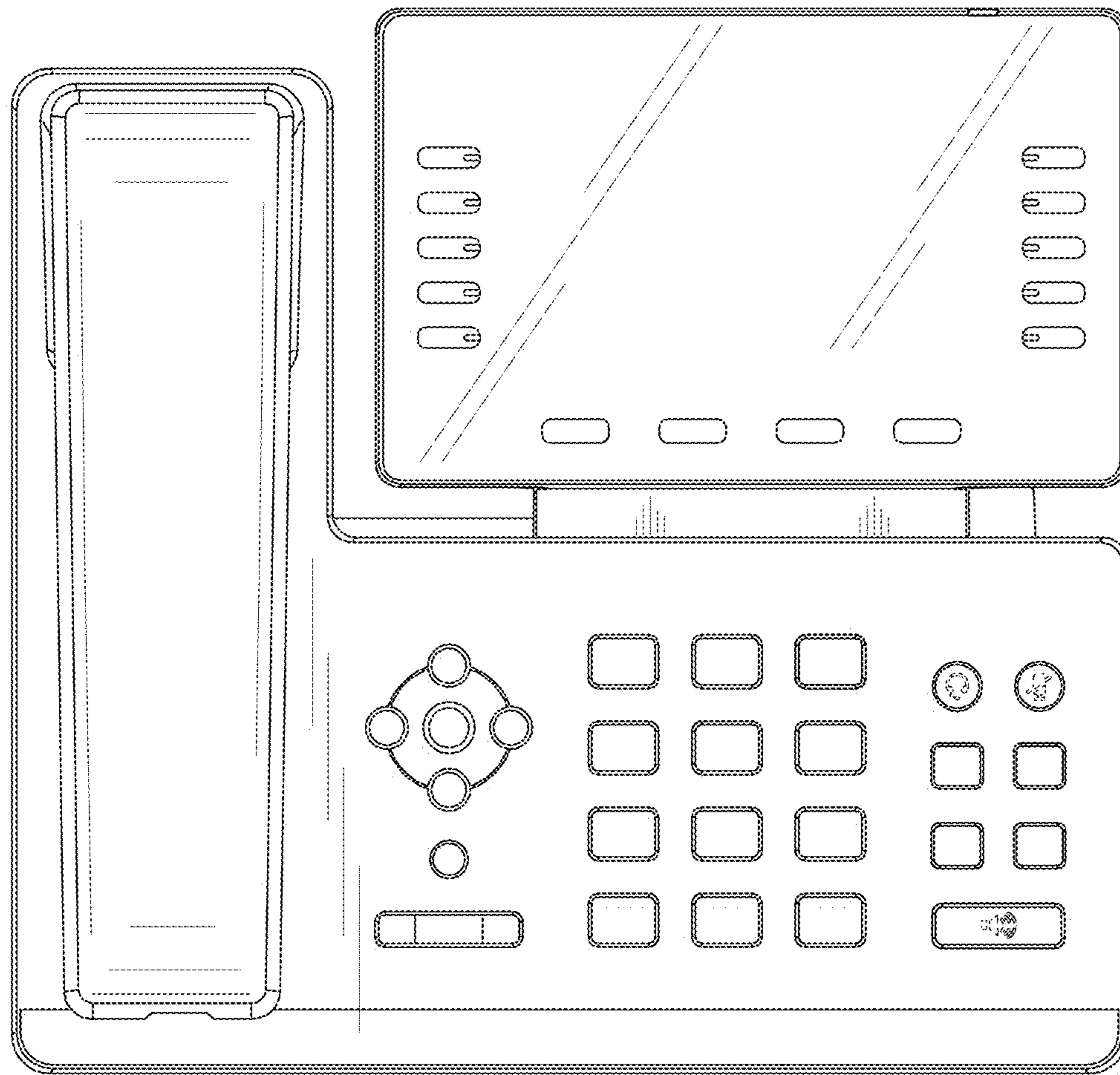


FIG.1

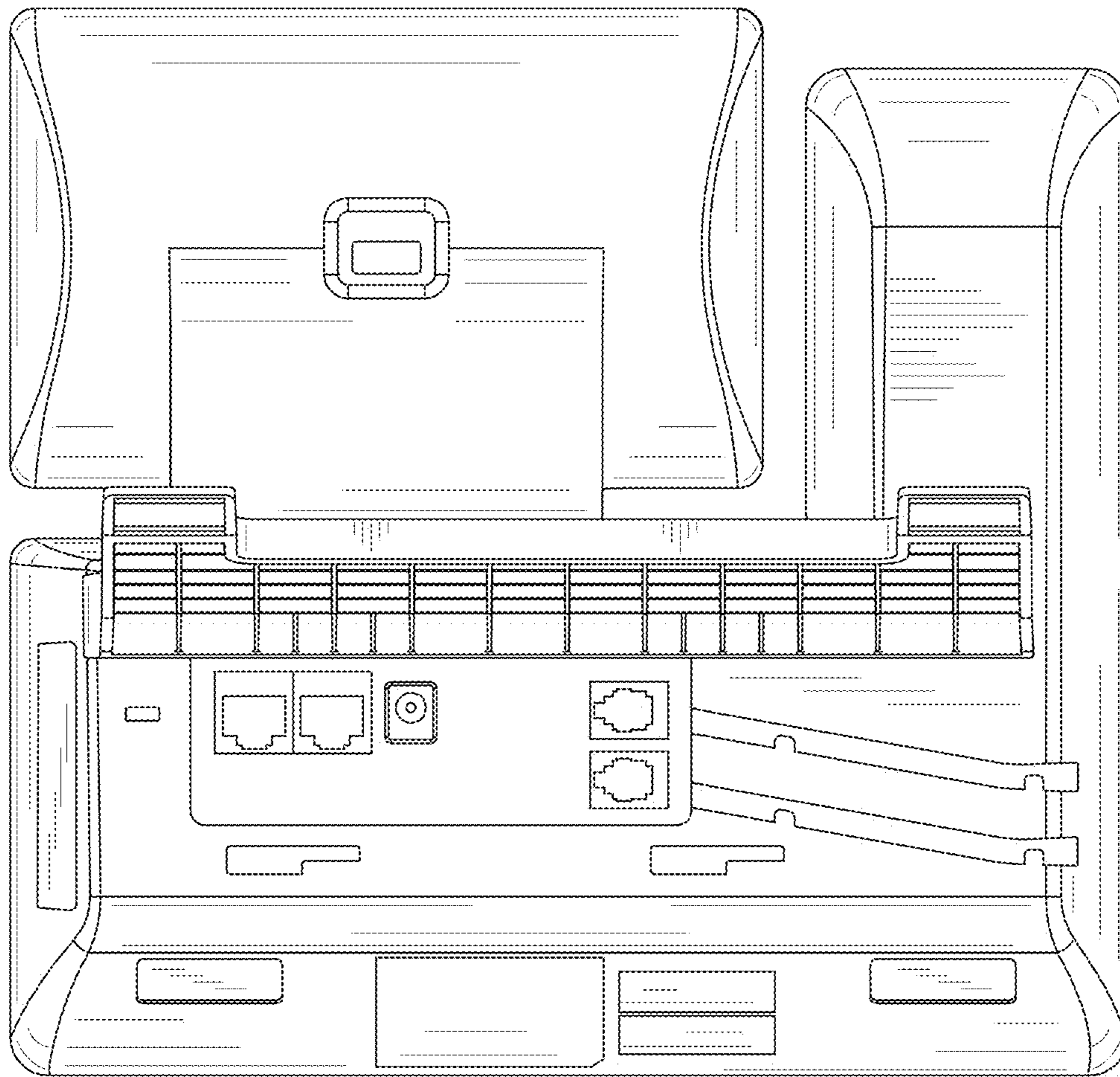


FIG.2

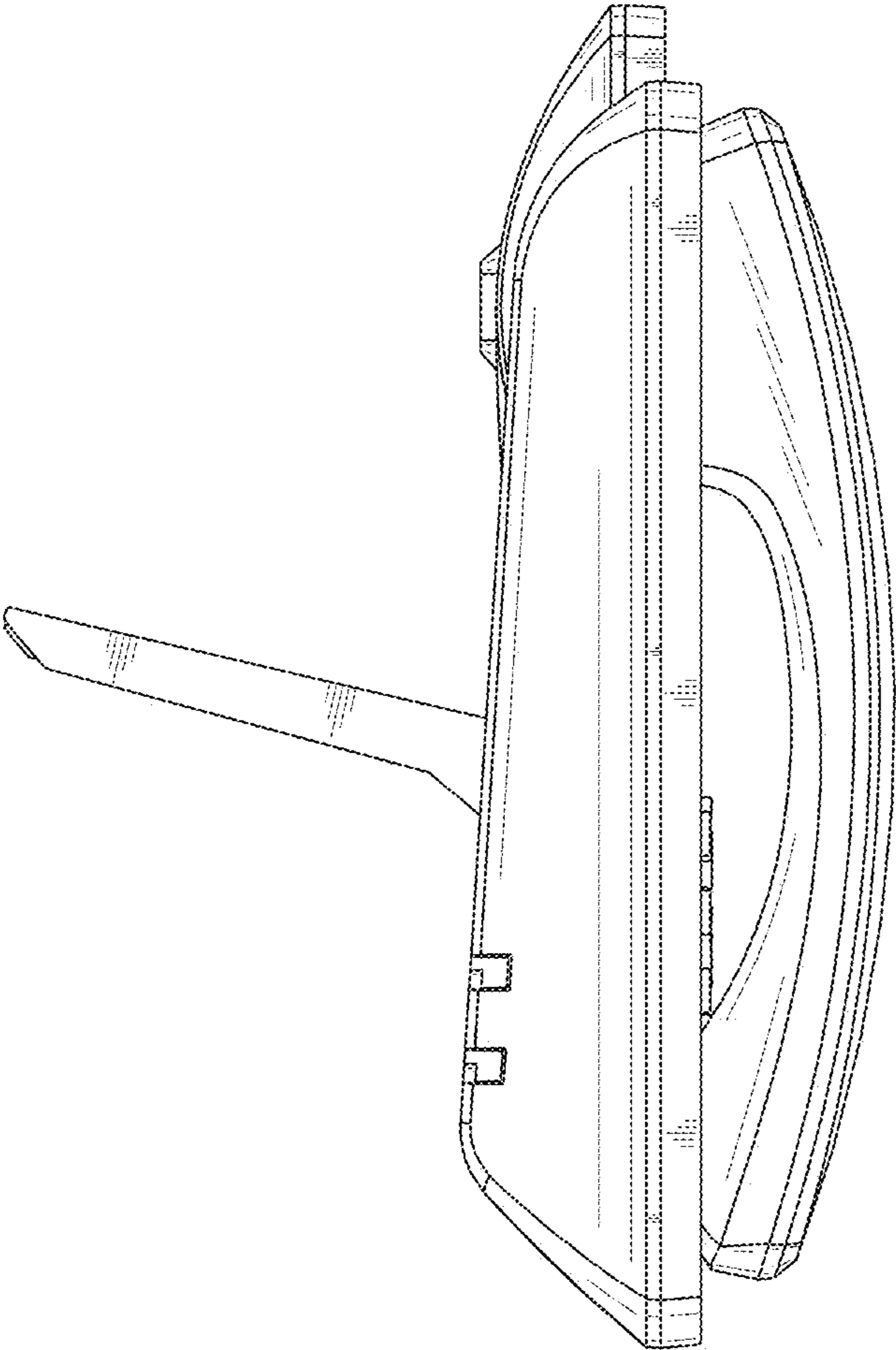


FIG.3



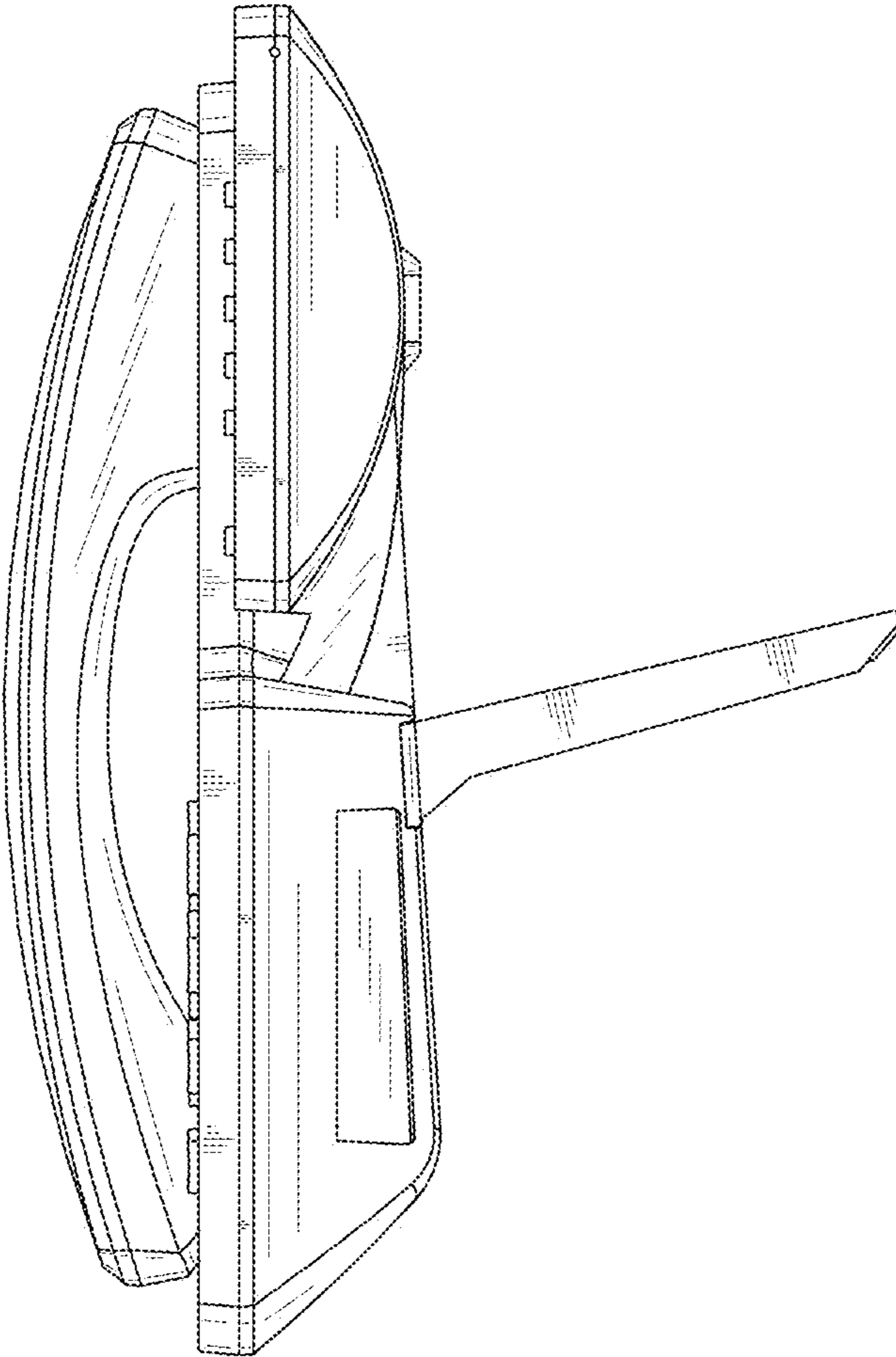


FIG.4

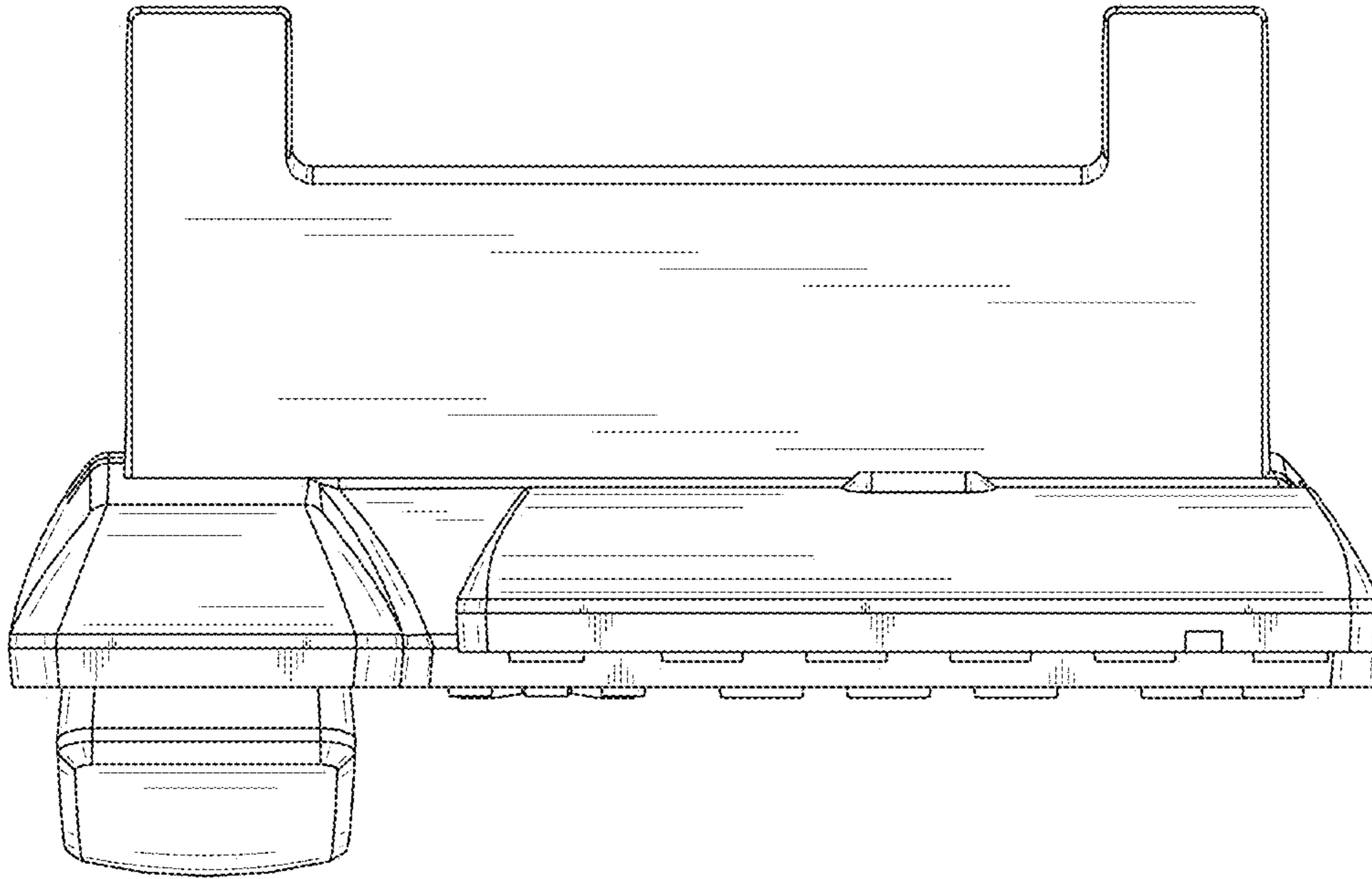


FIG. 5

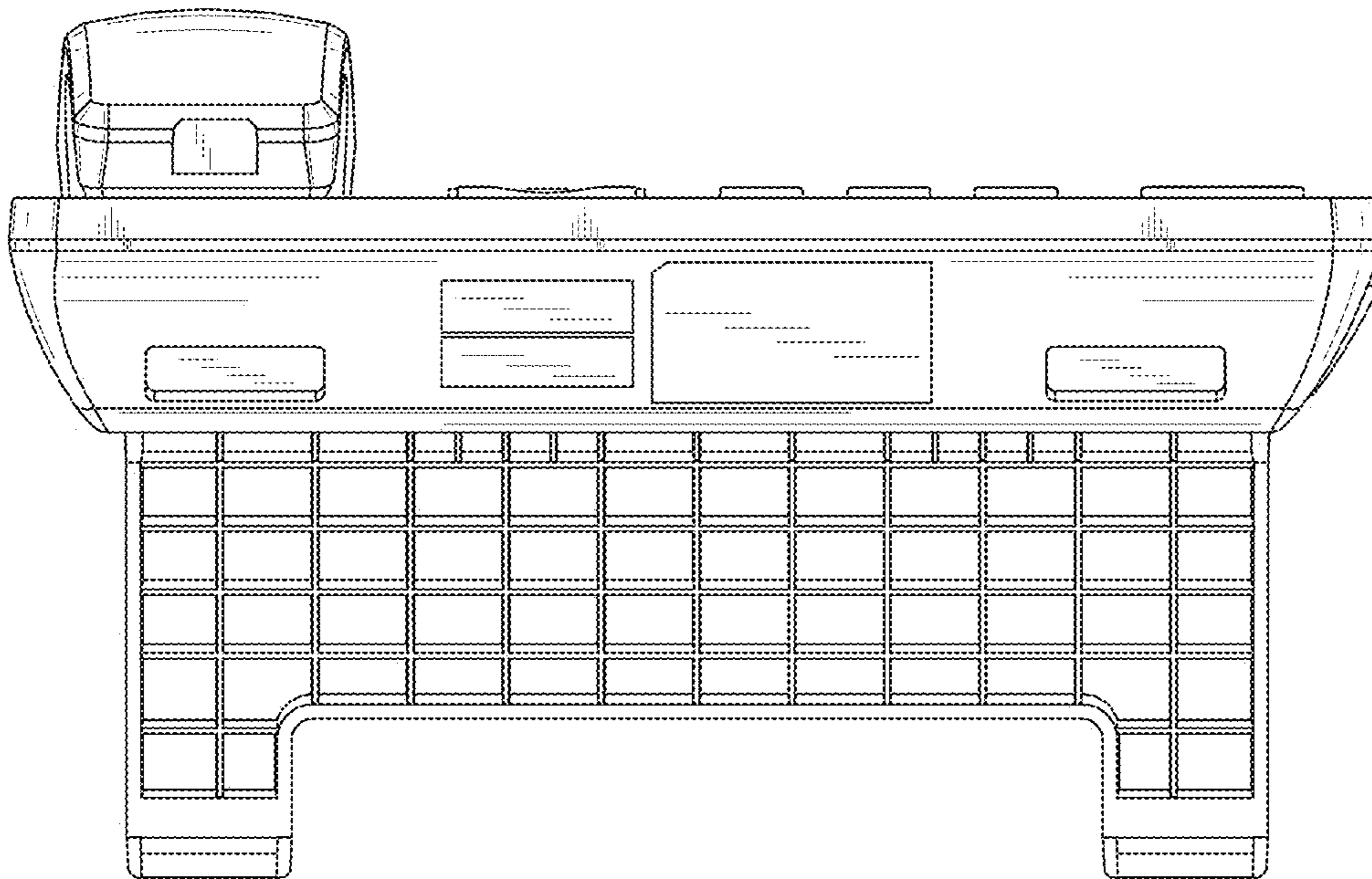


FIG. 6

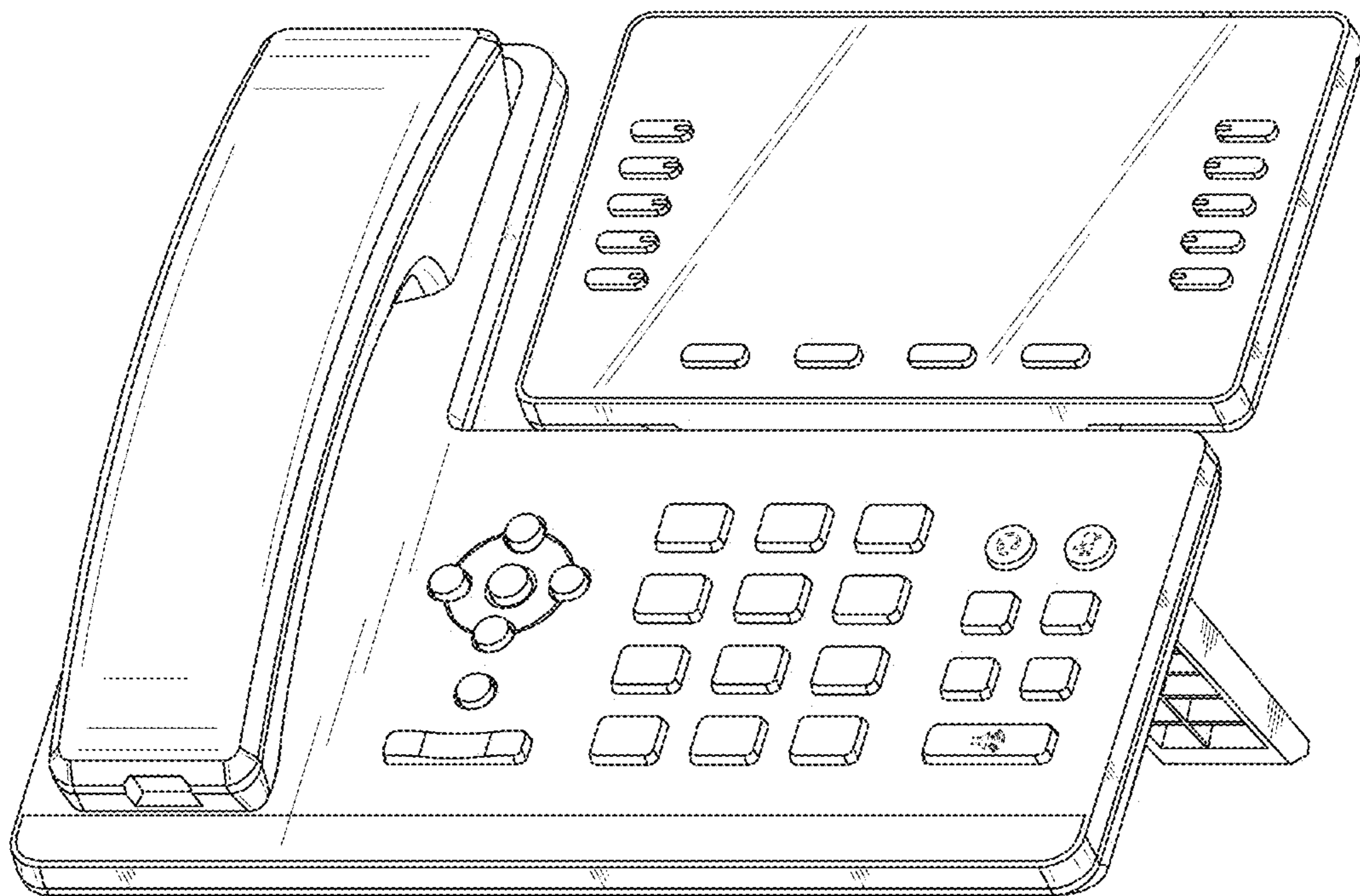


FIG.7

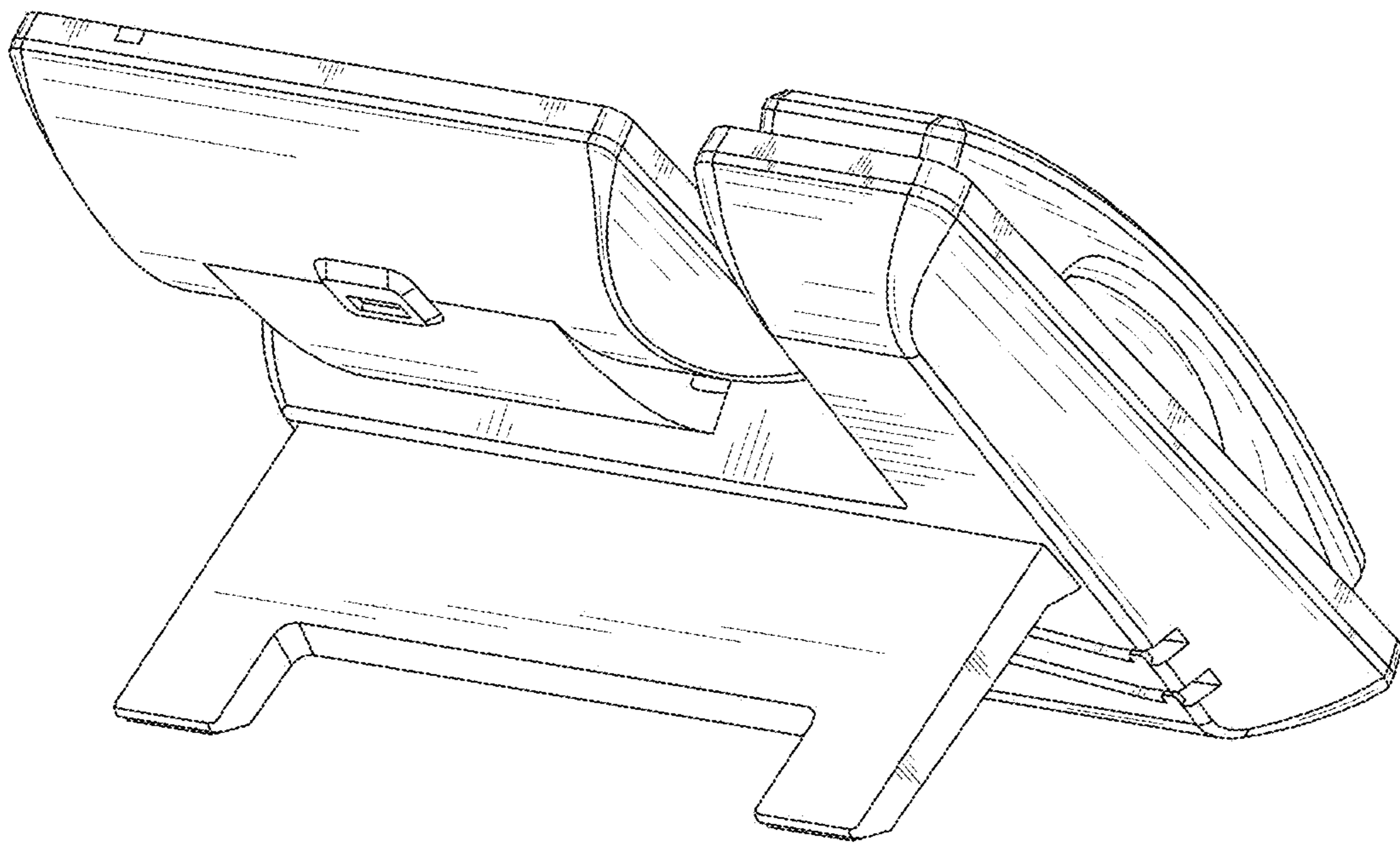


FIG.8



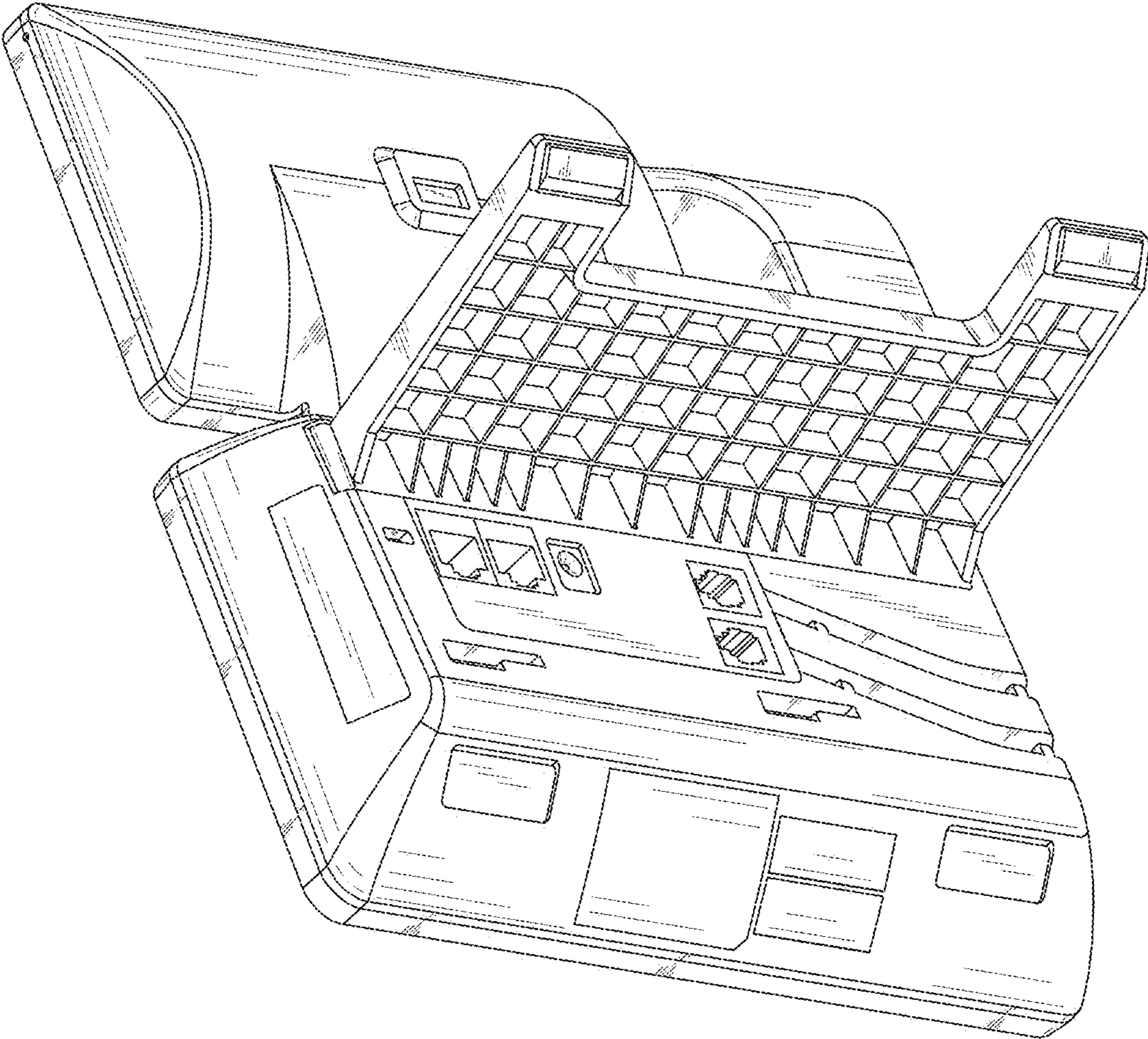


FIG.9