



US00D891385S

(12) **United States Design Patent**
Zhang

(10) **Patent No.:** **US D891,385 S**

(45) **Date of Patent:** **** Jul. 28, 2020**

(54) **WALKIE TALKIE**

(71) Applicant: **Donghua Zhang**, Guangdong (CN)

(72) Inventor: **Donghua Zhang**, Guangdong (CN)

(73) Assignee: **Shenzhen Jizhida Technology Co., Ltd**, Shenzhen (CN)

(**) Term: **15 Years**

(21) Appl. No.: **29/650,816**

(22) Filed: **Jun. 11, 2018**

(51) **LOC (12) Cl.** **14-03**

(52) **U.S. Cl.**
USPC **D14/137**

(58) **Field of Classification Search**
USPC D14/137, 138 R, 138 AA, 147, 148, 218,
D14/155, 159, 142, 225, 226, 191, 243,
D14/140, 188, 192, 194, 197, 198, 168;
D21/517, 566; D10/104.1, 104.2, 106.1,
D10/65; D13/168; D30/199; D26/38
CPC H04B 1/3833; H04B 1/3827; H04B
2001/3861; H04M 1/0202; H04M 1/03;
H04M 1/035; G08B 21/0202
See application file for complete search history.

(56) **References Cited**

U.S. PATENT DOCUMENTS

D387,758 S	*	12/1997	Oross	D14/137
D389,827 S	*	1/1998	Oross	D14/137
D433,396 S	*	11/2000	Wong	D14/137
D446,780 S	*	8/2001	Sedan	D14/137
D452,684 S	*	1/2002	Sedan	D14/137
D455,411 S	*	4/2002	Wong	D14/137
D467,565 S	*	12/2002	Pesqueira	D14/137
D467,566 S	*	12/2002	Mirabelli	D14/137
D467,888 S	*	12/2002	Mirabelli	D14/137
D481,025 S	*	10/2003	Cebe	D14/137
D487,733 S	*	3/2004	Lucaci	D14/137
D496,635 S	*	9/2004	Lodato	D14/137
D497,887 S	*	11/2004	Robertson, Jr.	D14/137
D500,486 S	*	1/2005	Zeitman	D14/188

D519,477 S	*	4/2006	Liu	D14/137
D527,712 S	*	9/2006	Indio da Costa	D13/168
D607,847 S	*	1/2010	Elliott	D13/168
D635,946 S	*	4/2011	Garra	D14/137
D689,826 S	*	9/2013	Kato	D13/168
D716,755 S	*	11/2014	Yong	D14/188

(Continued)

FOREIGN PATENT DOCUMENTS

EM	005503687-0002	*	7/2018
EM	007025267-0001	*	10/2019

OTHER PUBLICATIONS

Caroger CR388A . . . ,imall.com, no date, [online], [site visited Mar. 27, 2020]. Internet URL:https://imall.com/product/Caroger-CR388A-License-Free-22-Channel-2packs-Walkie-Talkies-FRS-GMRS-462-467MHZ-Two-Way-Radio-Up-To-3300-Meters-Interphone/Toys-Hobbies-Electronic-Toy/aliexpress.com/32923887306/144-6015751/en.*

(Continued)

Primary Examiner — Jeffrey D Asch

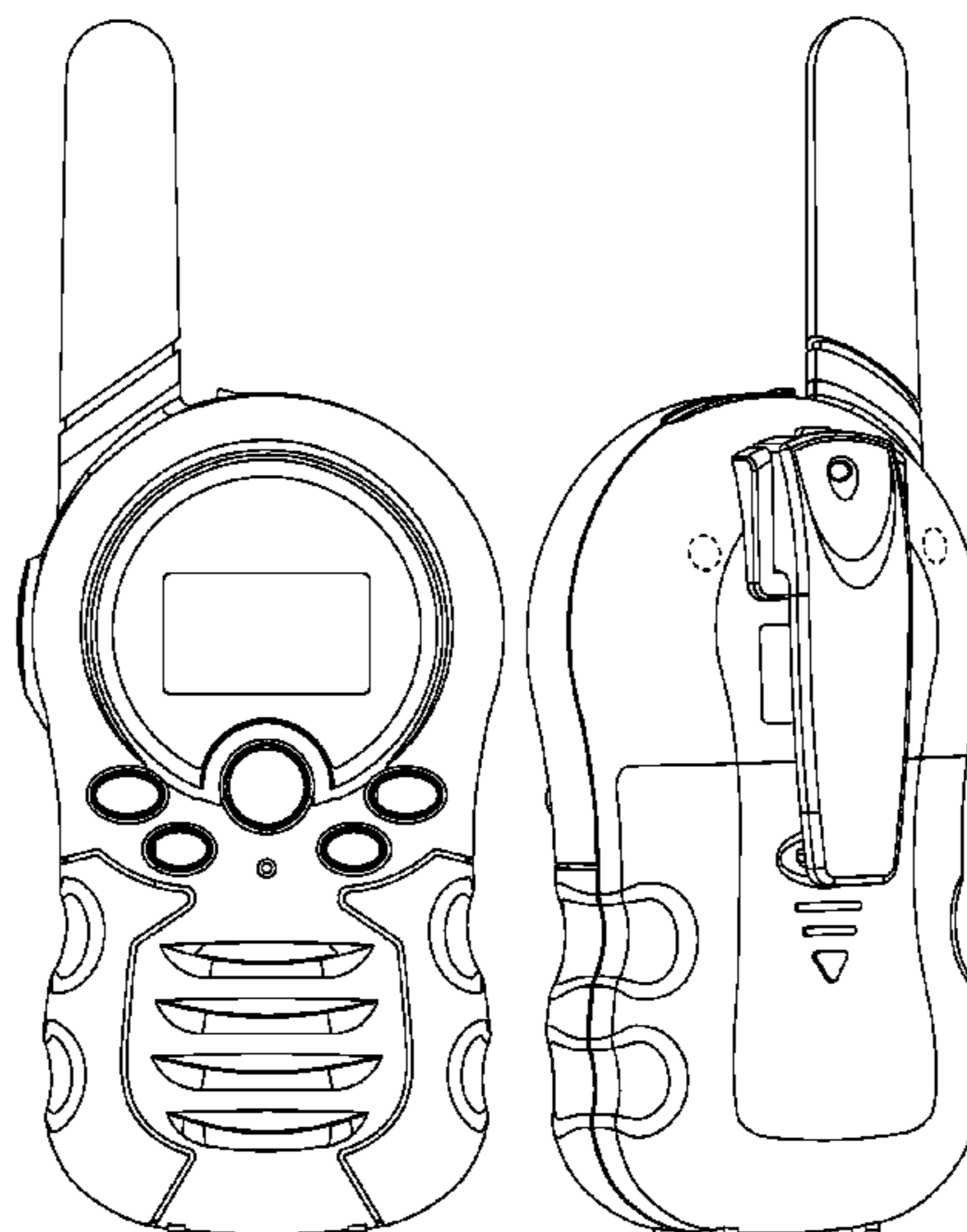
(57) **CLAIM**

The ornamental design for a walkie talkie, as shown and described.

DESCRIPTION

FIG. 1 is a perspective view of a walkie talkie showing my new design;
FIG. 2 is a front elevational view thereof;
FIG. 3 is a rear elevational view thereof;
FIG. 4 is a left side elevational view thereof;
FIG. 5 is a right side elevational view thereof;
FIG. 6 is a top plan view thereof; and
FIG. 7 is a bottom plan view thereof; and,
FIG. 8 is another perspective view thereof.
The broken lines are for the purpose of illustrating portions of the article that form no part of the claimed design.

1 Claim, 8 Drawing Sheets



(56)

References Cited

U.S. PATENT DOCUMENTS

D719,708 S	*	12/2014	Ye	D10/104.1
D805,701 S	*	12/2017	Li	D30/199
D816,632 S	*	5/2018	Yamamoto	D14/137
D835,860 S	*	12/2018	Li	D30/199
D842,830 S	*	3/2019	Nishida	D14/137
D862,812 S	*	10/2019	Jia	D30/199

OTHER PUBLICATIONS

Hunicom Walkie Talkie published by Amazon.com, no date, 1st review Jan. 2, 2020 [online], [site visited Mar. 27, 2020]. Available from Internet, URL: <https://www.amazon.com/HUNICOM-Talkies-Friendly-Toddlers-Activities/dp/B081RXHC25>.*

LXT118 Walkie Talkie, published by Midland, no date, questions from 2 years ago, [online], [site visited Mar. 27, 2020]. Available from Internet, URL: <https://midlandusa.com/product/lxt118two-way-radio/>.*

388A Walkie Talkie (FRS) External Photos Shenzhen Jizhida Technology, published by FCC ID, Jul. 26, 20186, [online], [site visited Mar. 27, 2020]. Available from Internet, URL: <https://fccid.io/2AQJJ388A/External-Photos/Ext-Photos-3940355>.*

* cited by examiner

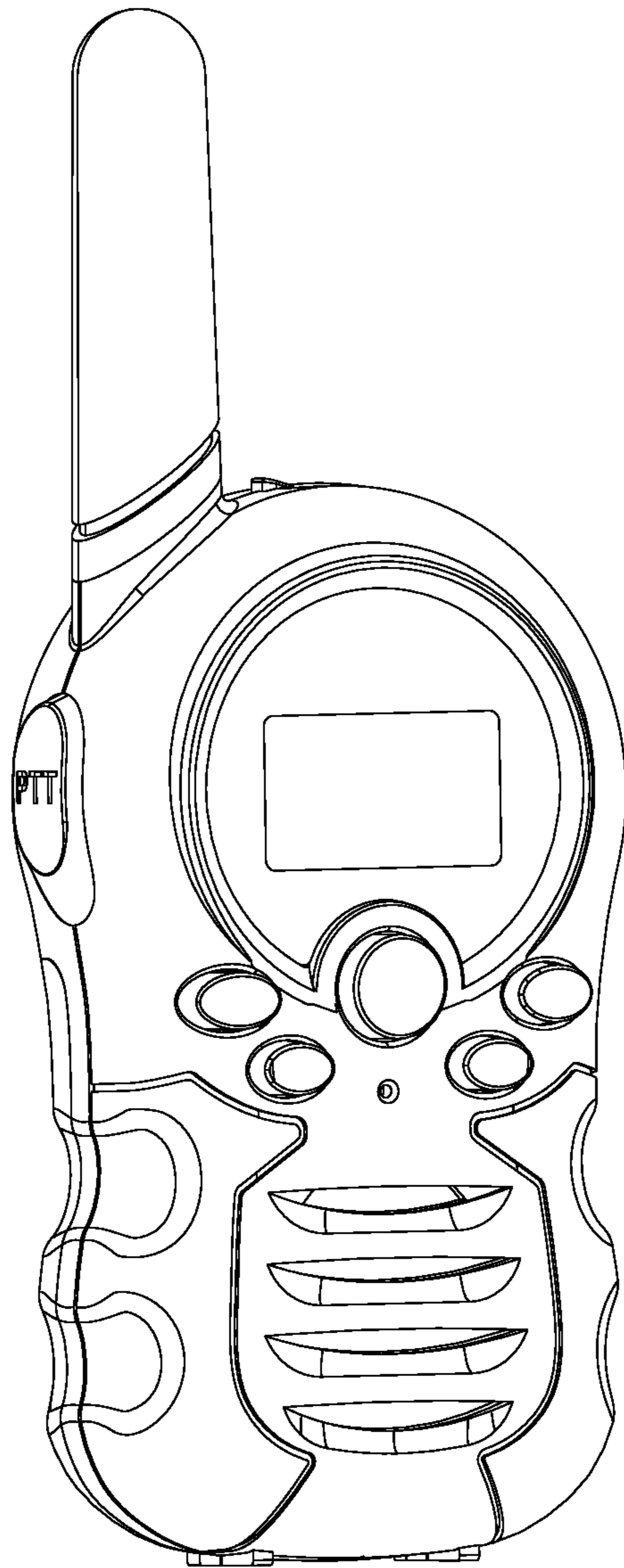


FIG.1

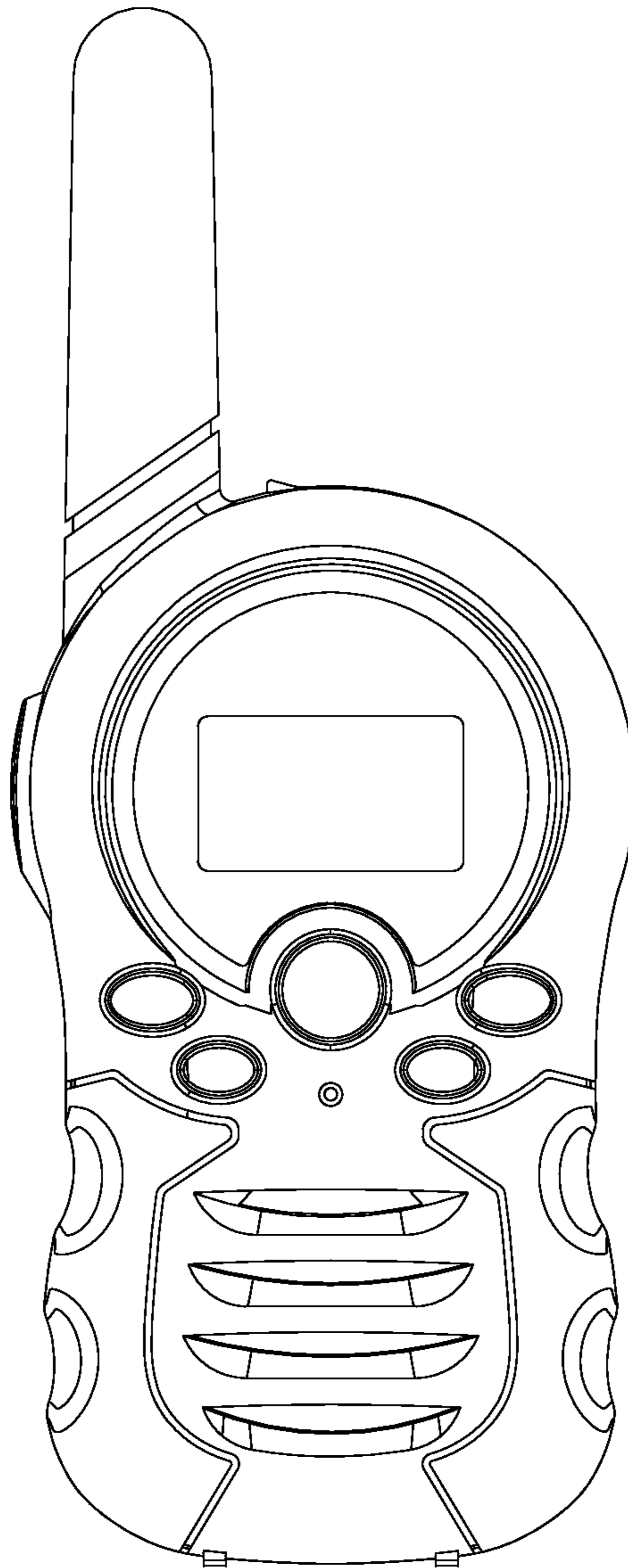


FIG.2

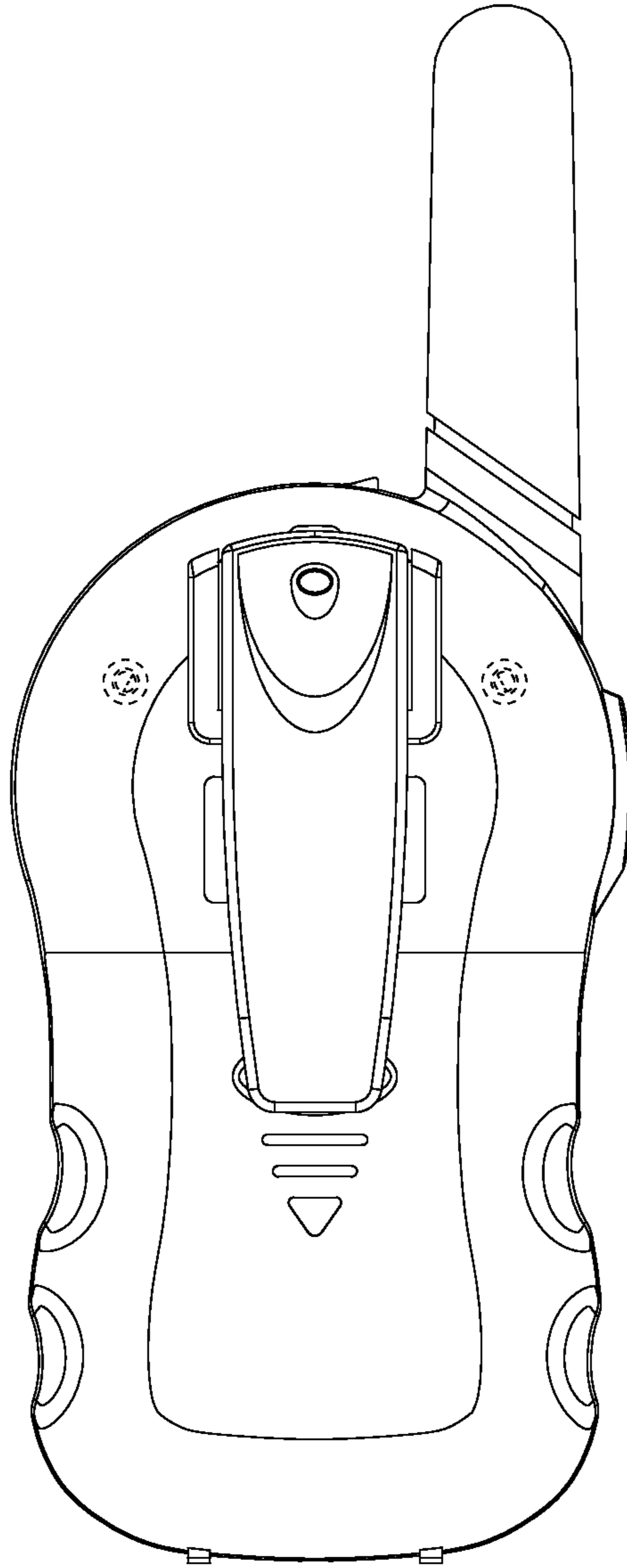


FIG.3

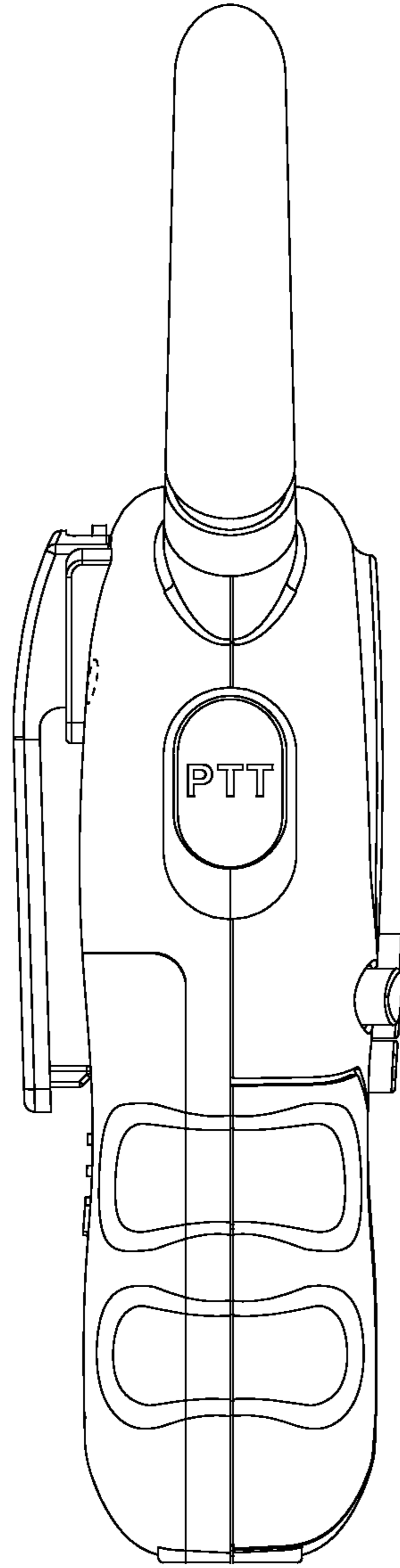


FIG.4

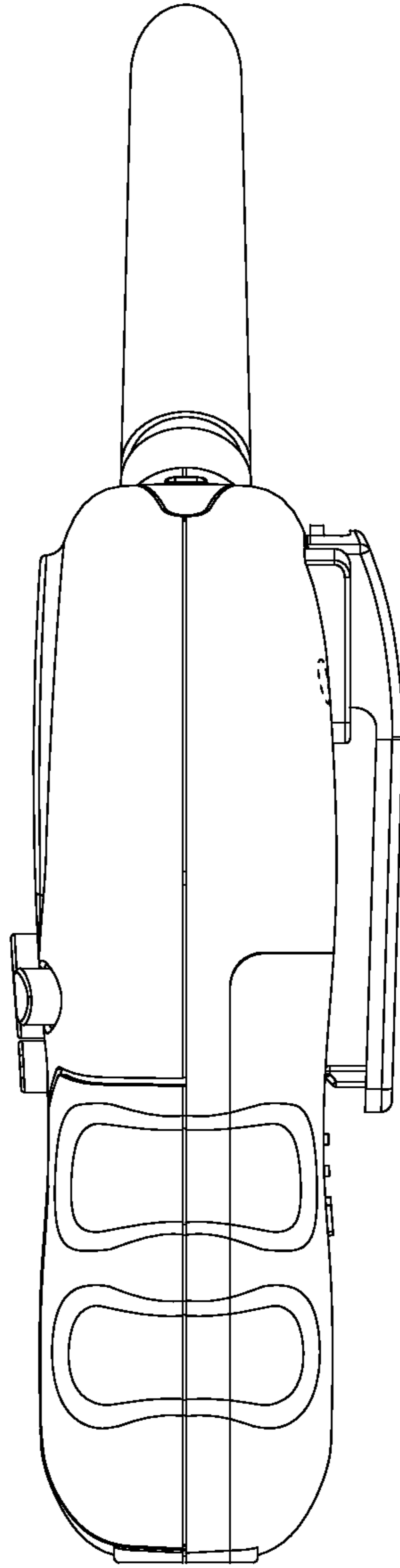


FIG.5

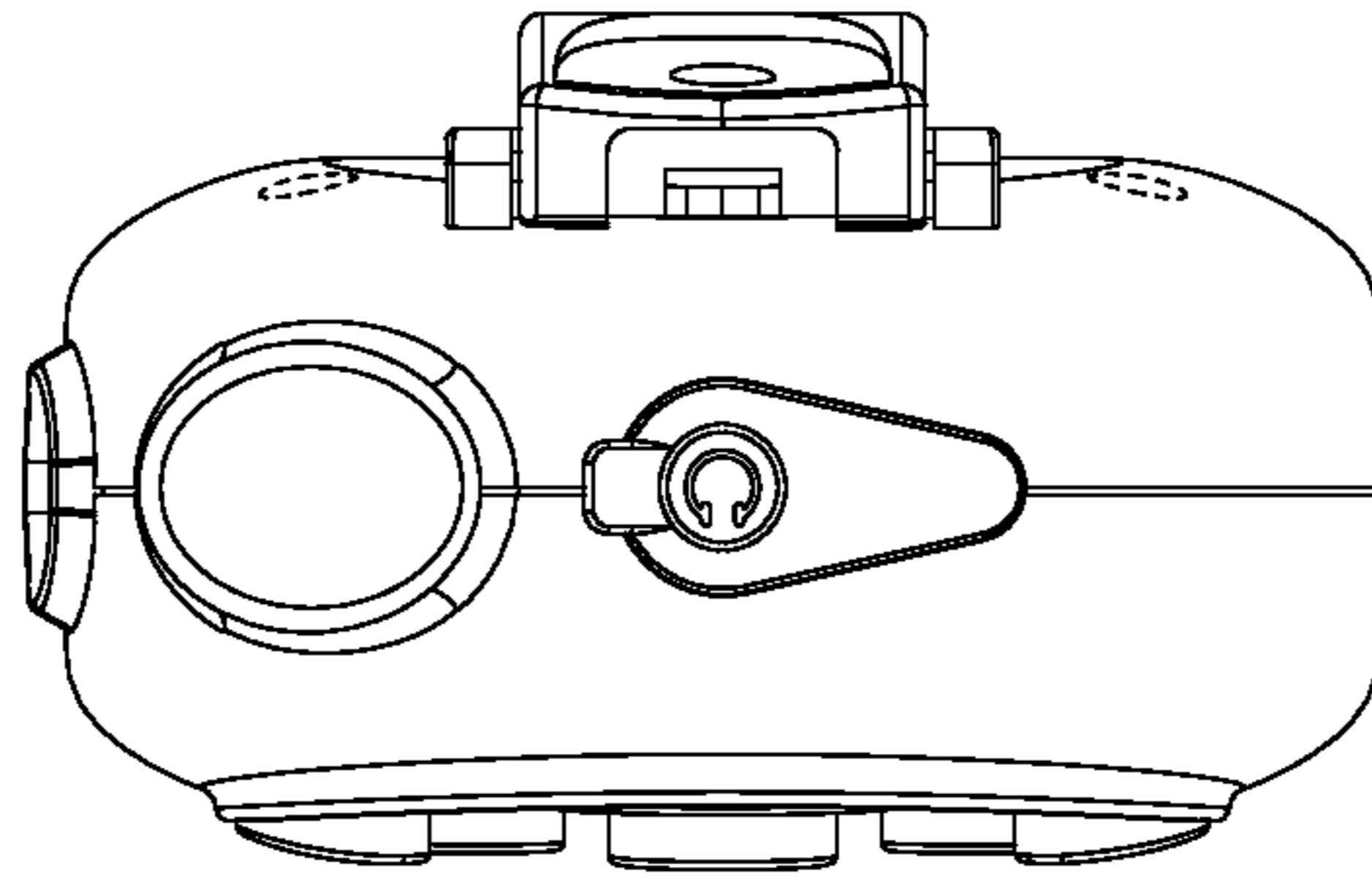


FIG.6

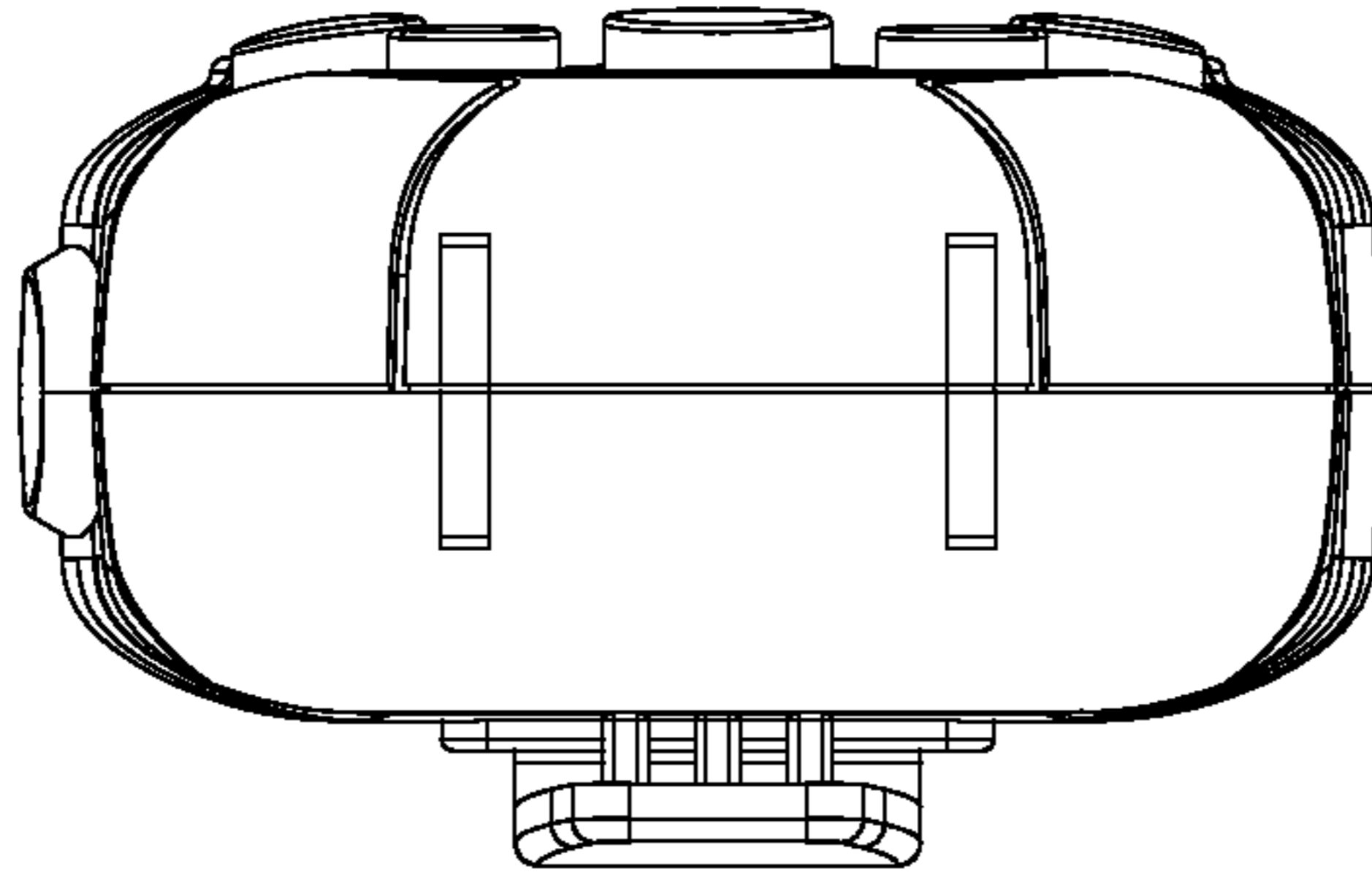


FIG.7

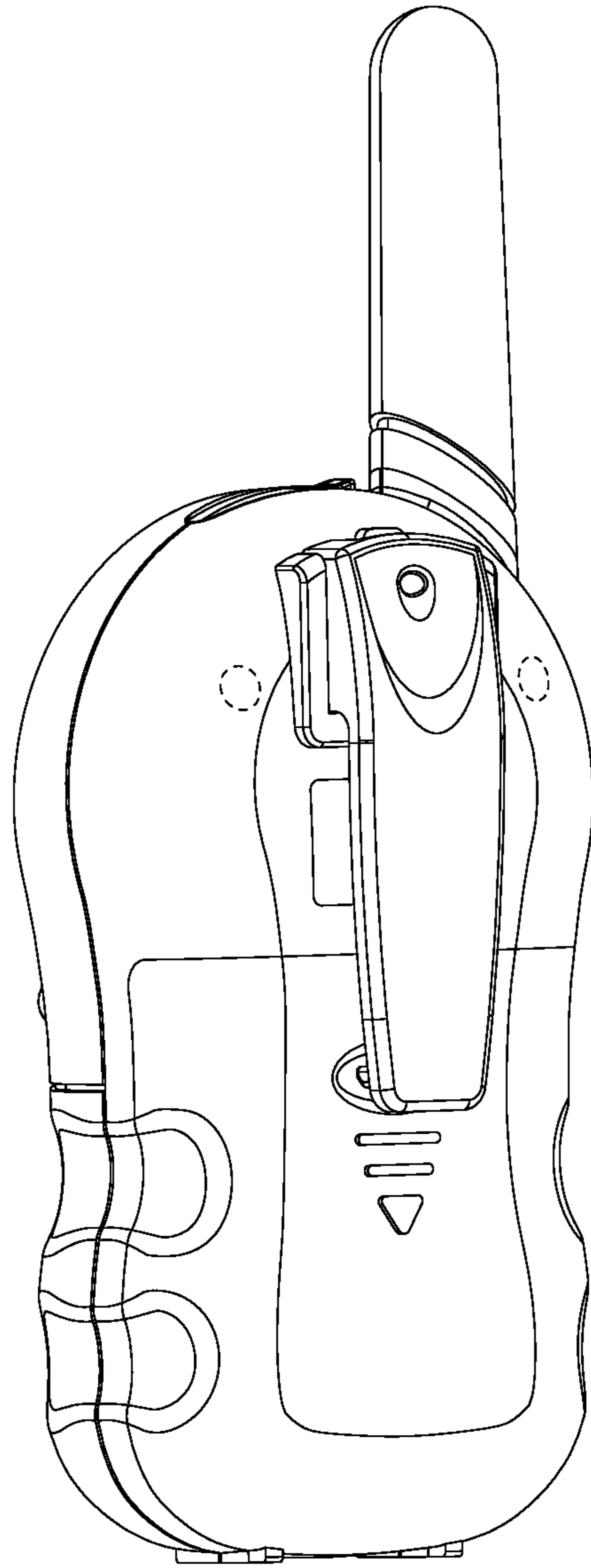


FIG.8