

US00D891383S

(12) **United States Design Patent**  
**Deshpande et al.**

(10) **Patent No.:** **US D891,383 S**

(45) **Date of Patent:** **\*\* Jul. 28, 2020**

(54) **ELECTRONIC HOUSING**

(71) Applicant: **Micro Motion, Inc.**, Boulder, CO (US)

(72) Inventors: **Atul Vasant Deshpande**, Pune (IN);  
**Clayton T. James**, Longmont, CO  
(US); **William M. Mansfield**, Niwot,  
CO (US); **Shaun E. Shanahan**,  
Boulder, CO (US); **Howard Irving  
Sohm, Jr.**, Longmont, CO (US)

(73) Assignee: **Micro Motion, Inc.**, Boulder, CO (US)

(\*\*) Term: **15 Years**

(21) Appl. No.: **29/656,066**

(22) Filed: **Jul. 10, 2018**

(51) **LOC (12) Cl.** ..... **13-03**

(52) **U.S. Cl.**  
USPC ..... **D13/184; D13/146**

(58) **Field of Classification Search**  
USPC ..... D13/110, 118, 120, 133, 146, 147, 154,  
D13/155, 184, 199; D15/5  
CPC ..... G01F 15/14; G01F 15/06; G01D 4/00  
See application file for complete search history.

(56) **References Cited**

**U.S. PATENT DOCUMENTS**

D336,282 S \* 6/1993 Guginsky ..... D13/133  
D686,573 S \* 7/2013 Wu ..... D13/130

D727,970 S \* 4/2015 Peterson ..... D13/146  
D736,156 S \* 8/2015 Windenberger ..... D13/133  
9,285,258 B2 \* 3/2016 Hollenberg ..... G01F 15/068  
D758,314 S \* 6/2016 Shanahan ..... D13/146  
D772,125 S \* 11/2016 Huang ..... D12/177  
D877,200 S \* 3/2020 Melde ..... D13/122

\* cited by examiner

*Primary Examiner* — Keli L Hill

*Assistant Examiner* — Harold E Blackwell, II

(74) *Attorney, Agent, or Firm* — The Ollila Law Group  
LLC

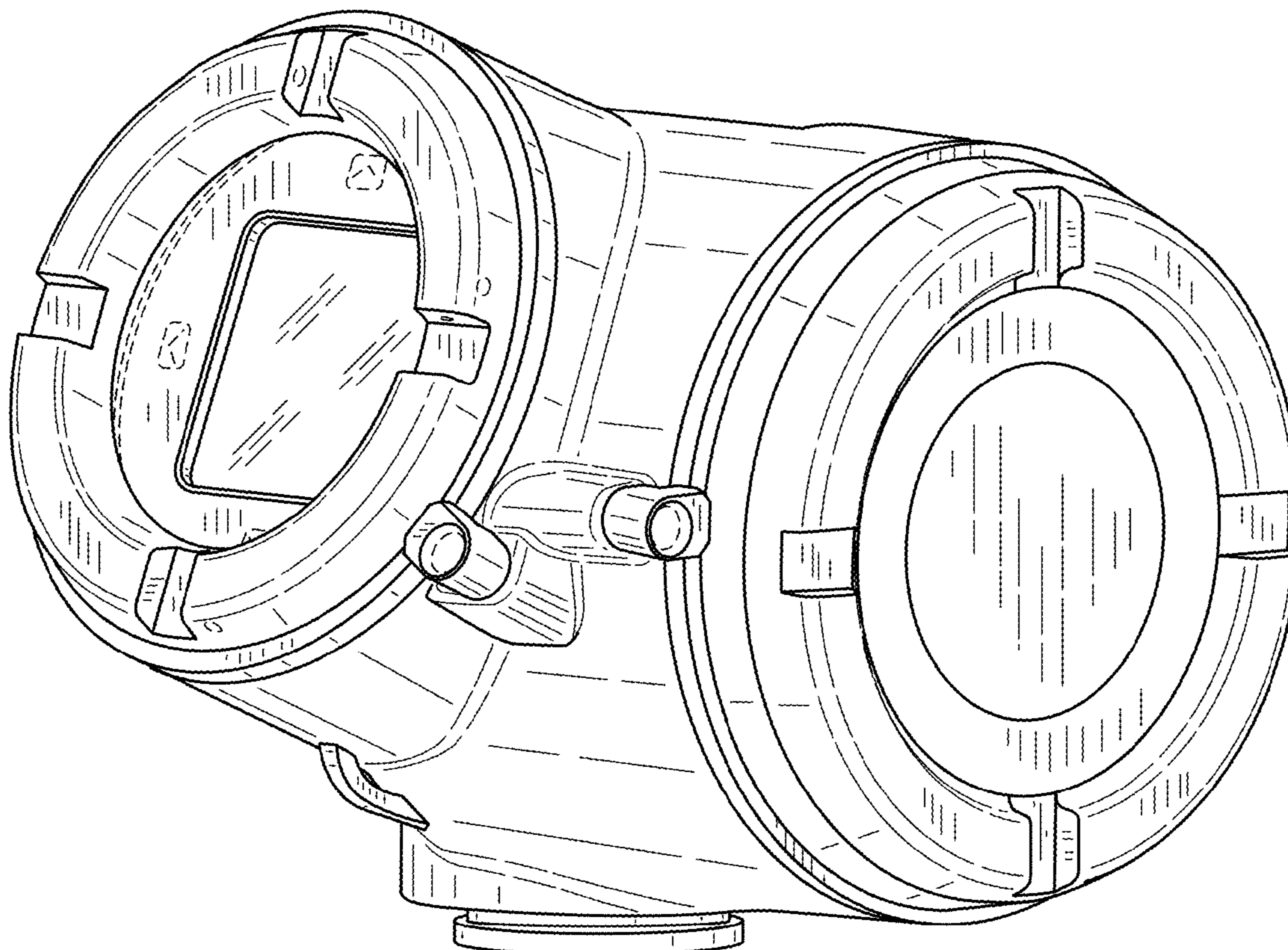
(57) **CLAIM**

The ornamental design for an electronic housing, as shown  
and described.

**DESCRIPTION**

FIG. 1 shows a perspective view of an electronic housing.  
FIG. 2 shows a front view of the electronic housing.  
FIG. 3 shows a back view of the electronic housing.  
FIG. 4 shows a right side view of the electronic housing.  
FIG. 5 shows a left side view of the electronic housing.  
FIG. 6 shows a top view of the electronic housing; and,  
FIG. 7 shows a bottom view of the electronic housing.  
The broken lines in the drawings illustrate portions of the  
electronic housing which form no part of the claimed design.

**1 Claim, 7 Drawing Sheets**



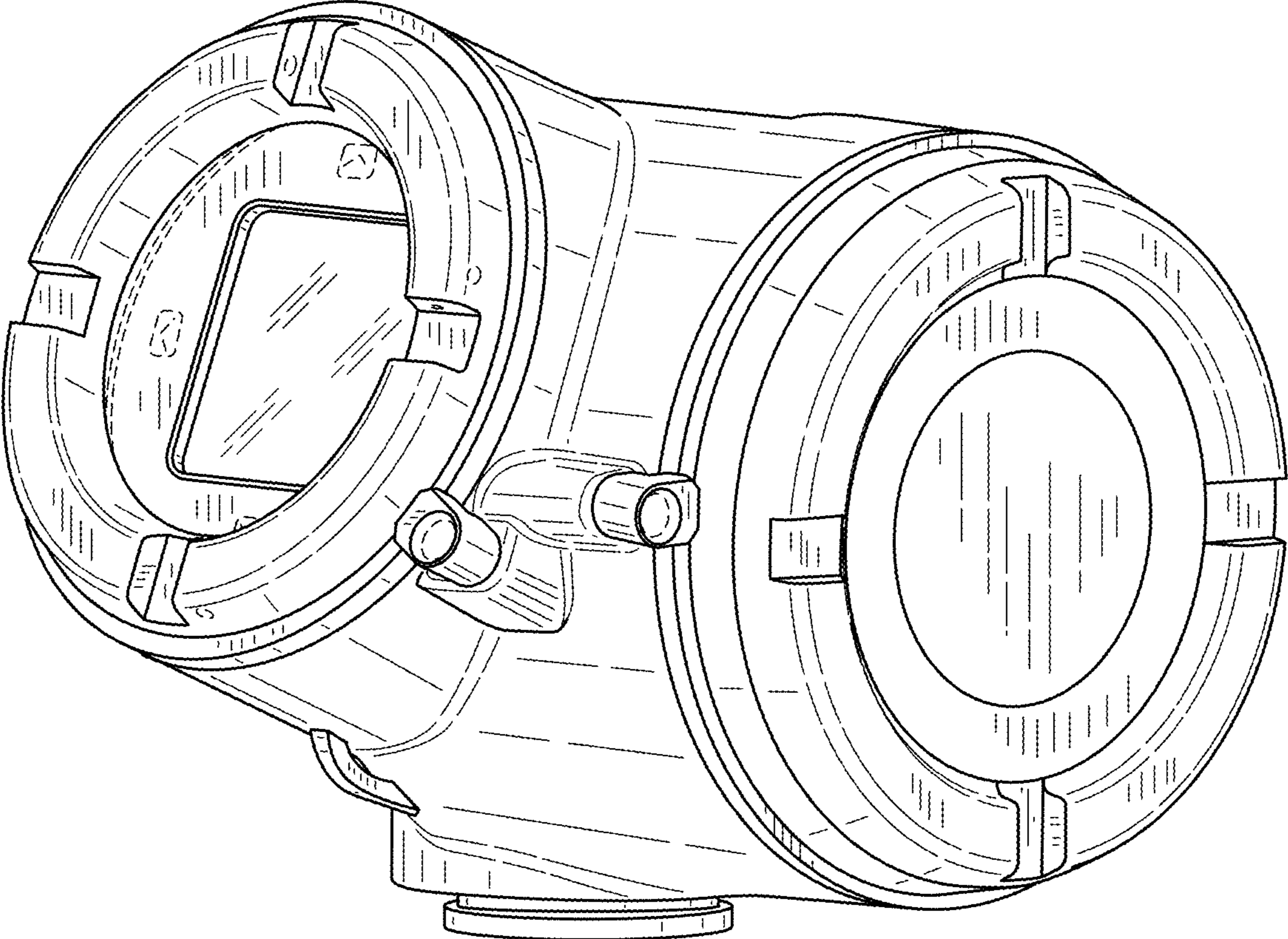


FIG.1

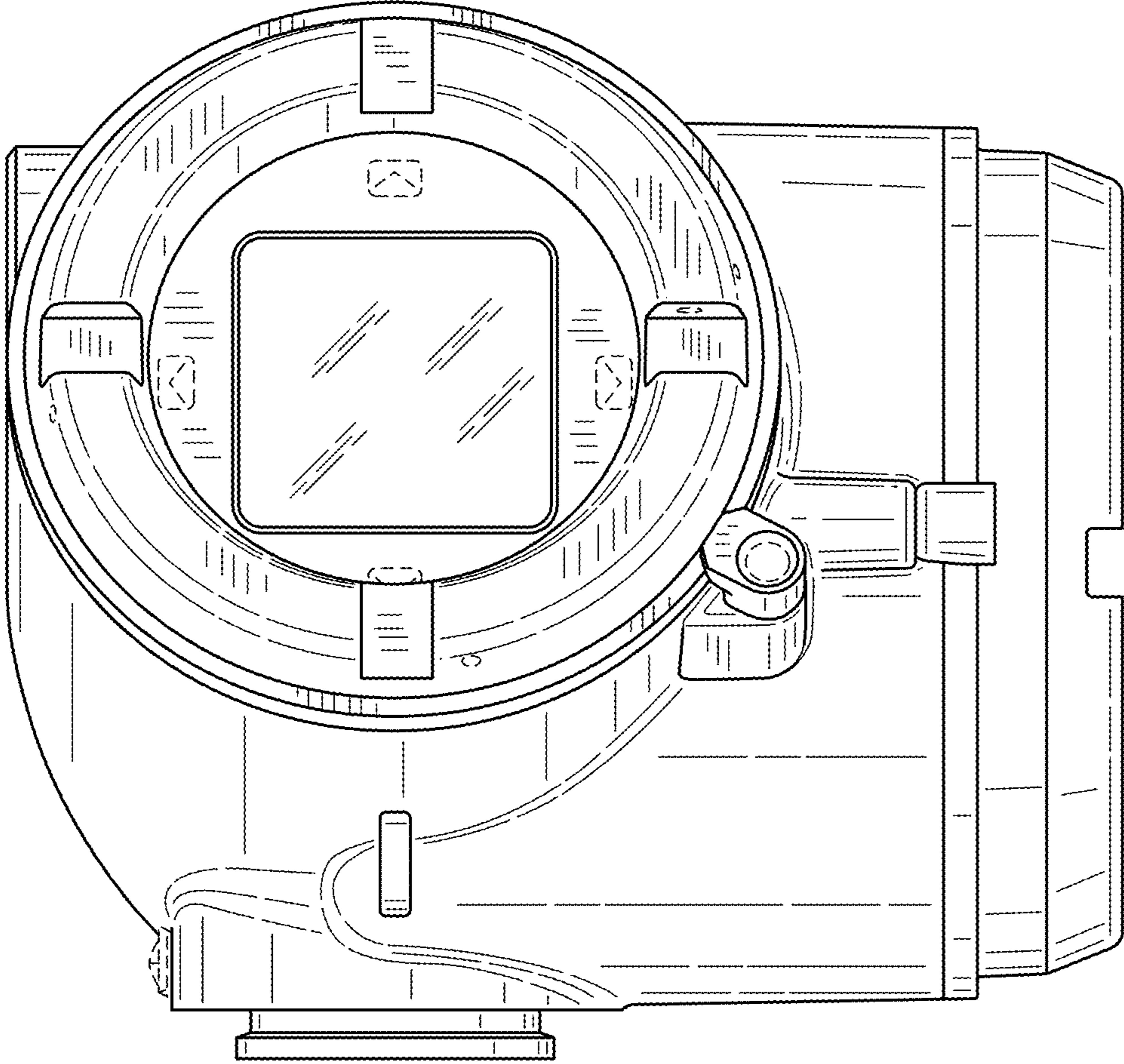


FIG.2



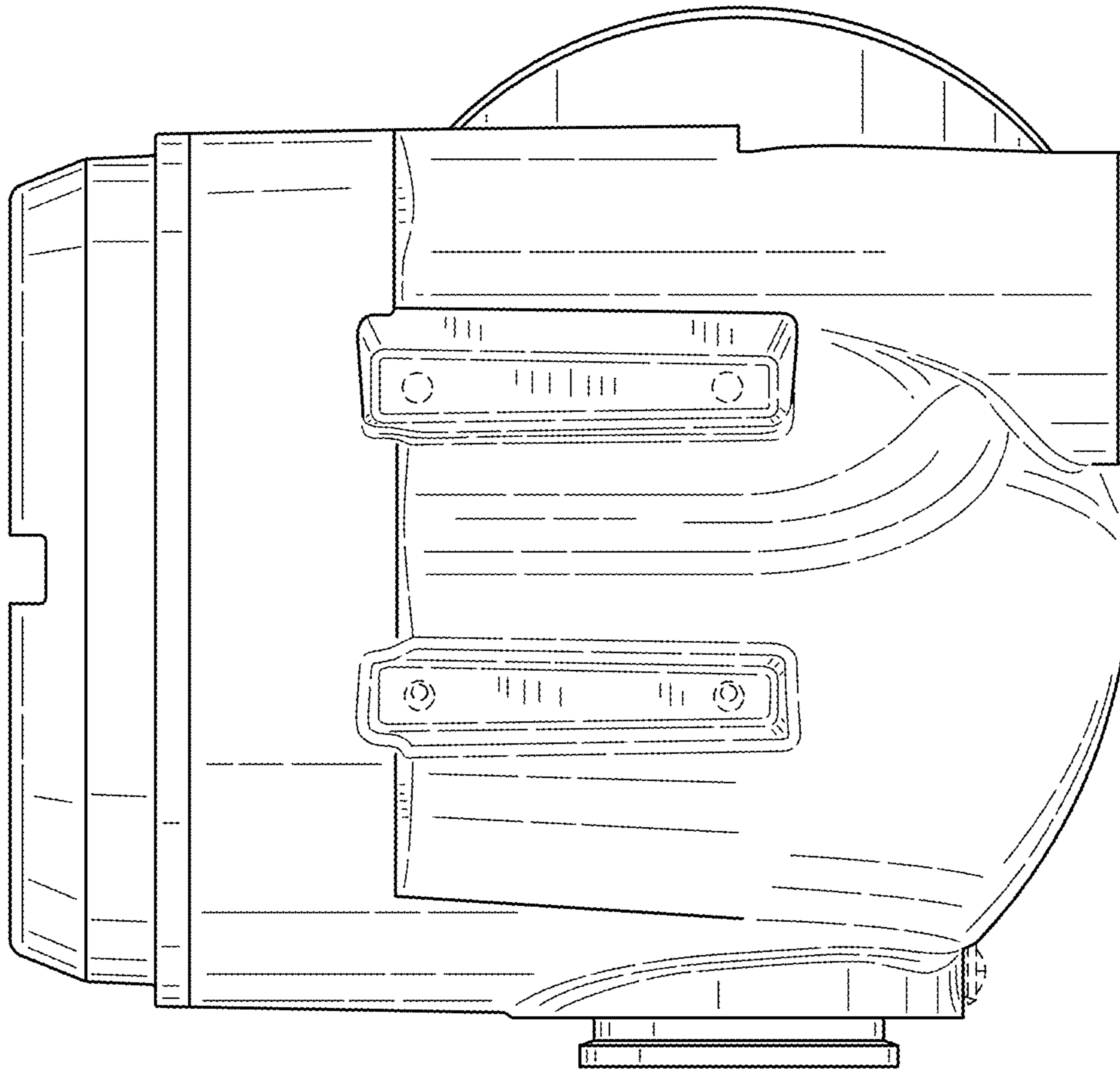


FIG.3

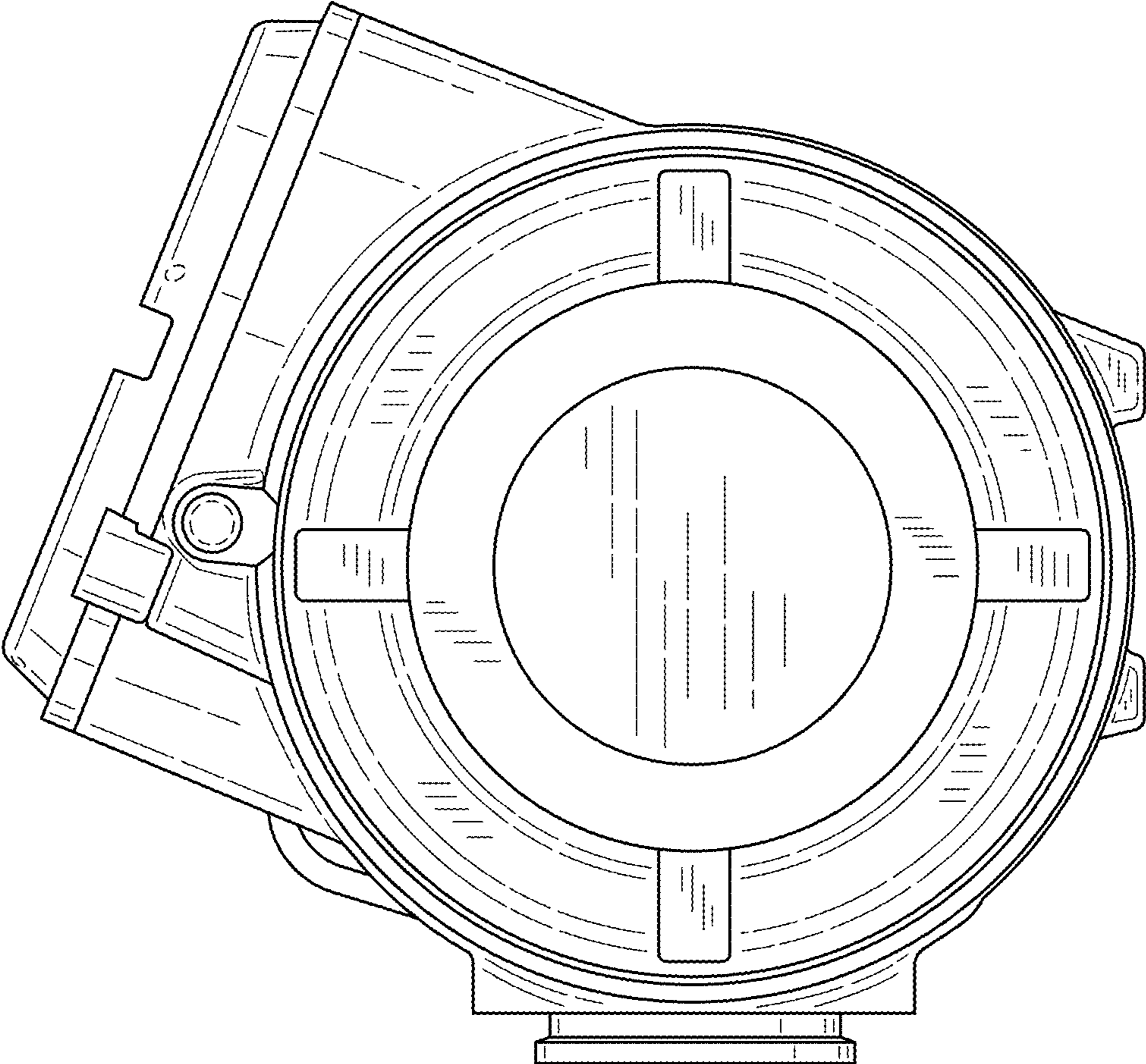


FIG.4

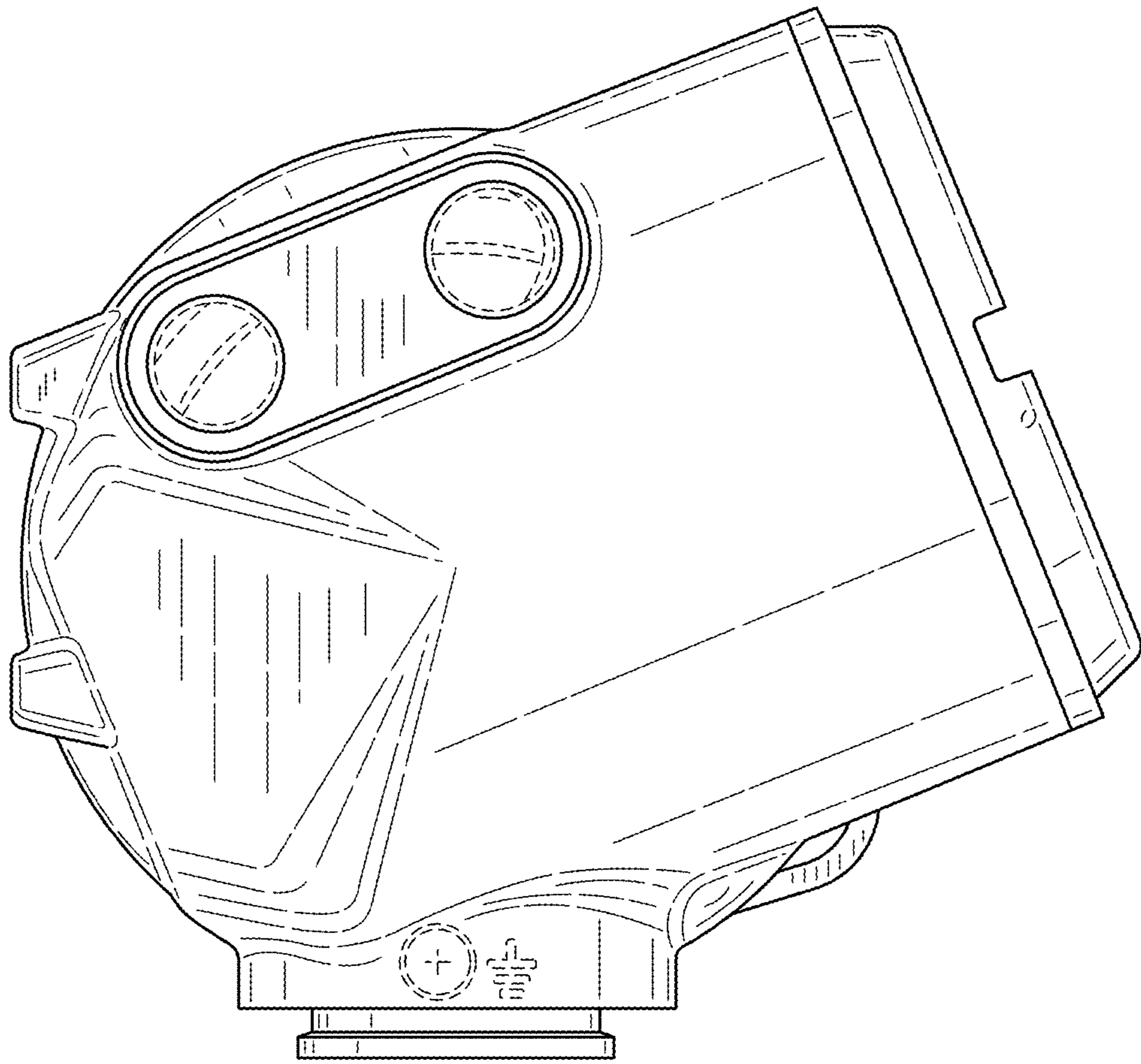


FIG.5

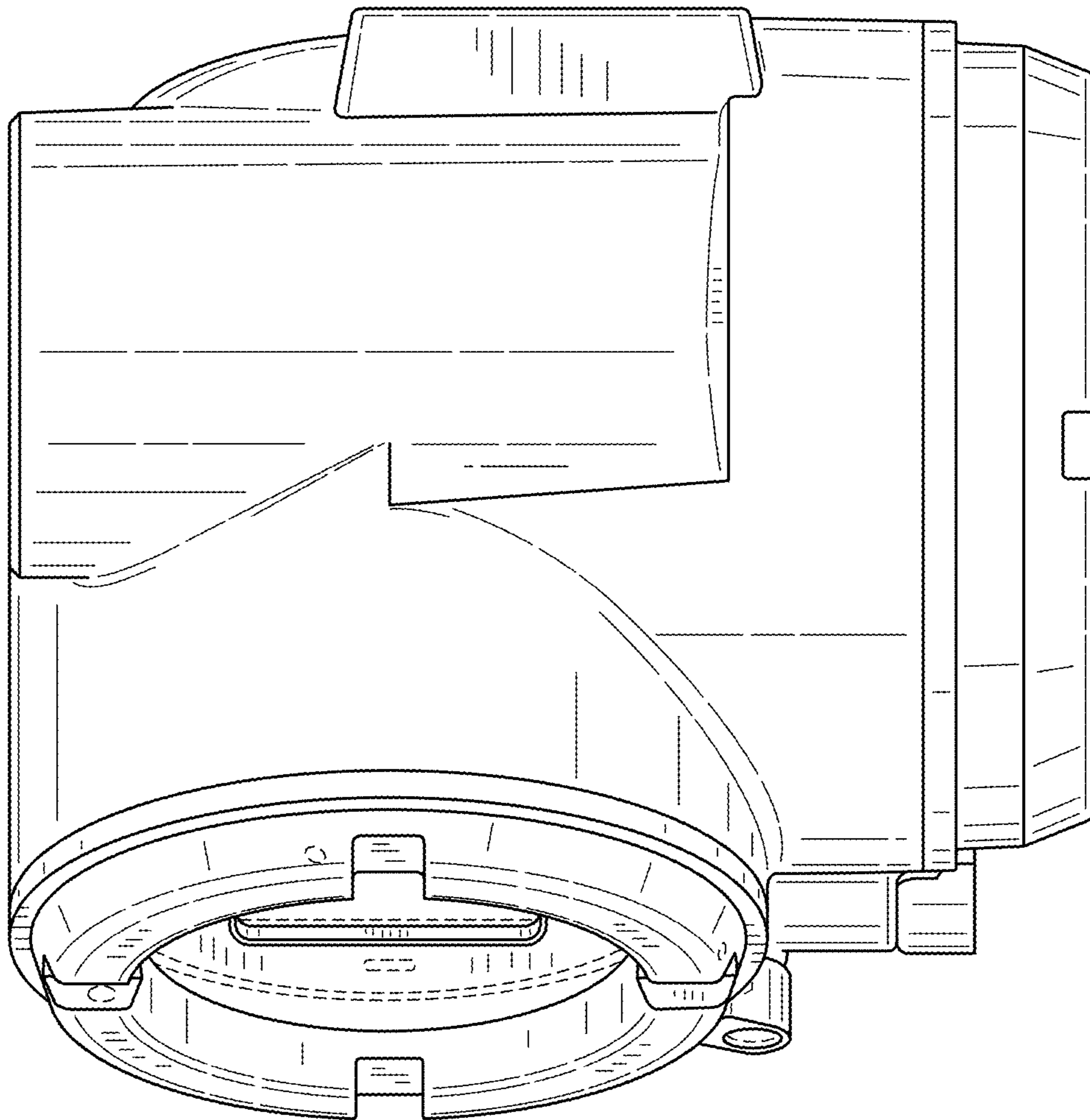


FIG.6

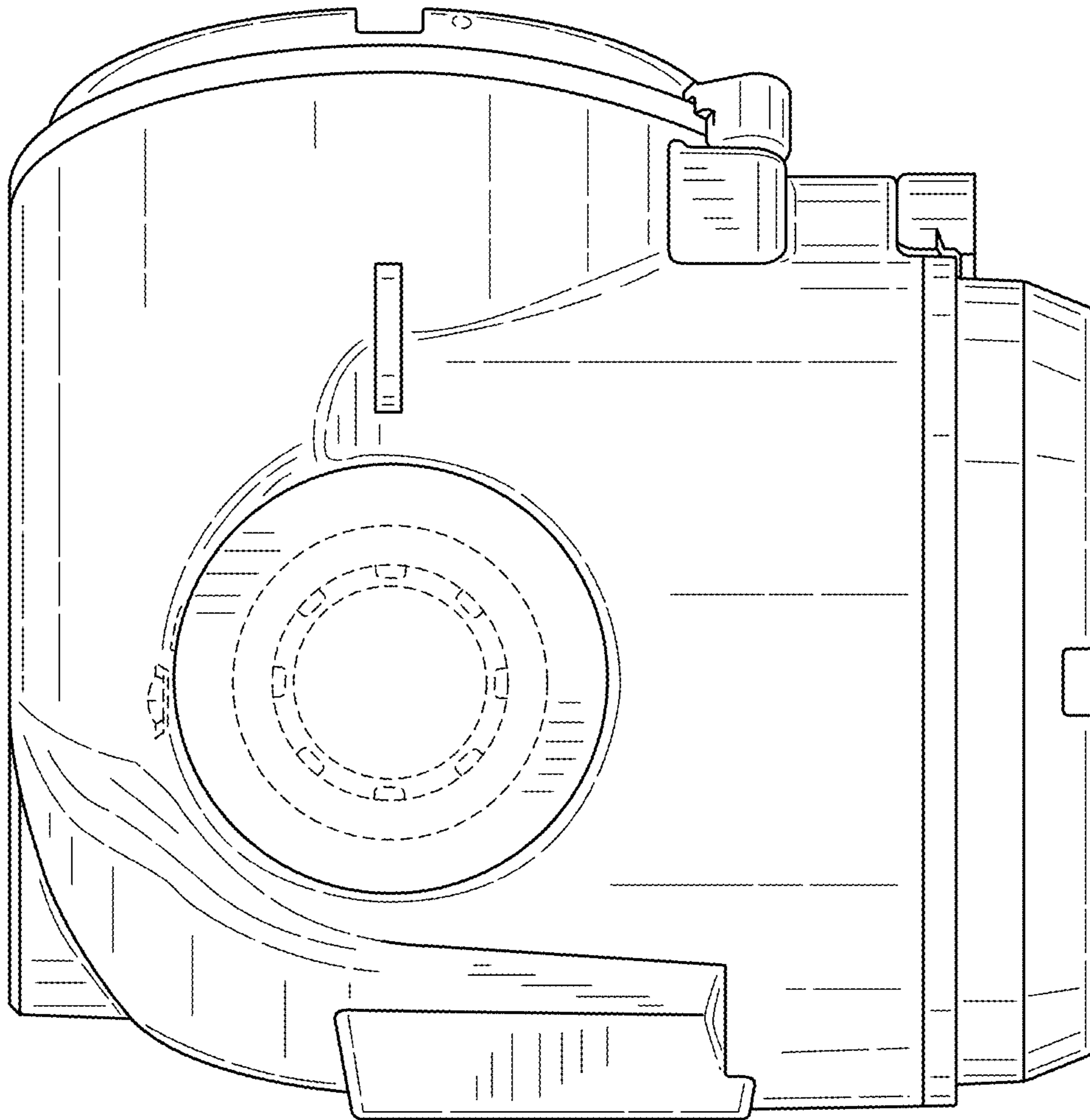


FIG. 7