



US00D891381S

(12) **United States Design Patent**
Wareham et al.

(10) **Patent No.:** **US D891,381 S**

(45) **Date of Patent:** **** Jul. 28, 2020**

(54) **USER INTERFACE UNIT FOR ENGINE AND/OR GENERATOR**

(71) Applicant: **DYNAGEN TECHNOLOGIES, INC.**, Dartmouth (CA)

(72) Inventors: **Paul Wareham**, Bedford (CA); **Sean Nutter**, Enfield (CA); **Shane Samson**, Halifax (CA); **Richard Coulson**, Markham (CA)

(73) Assignee: **DYNAGEN TECHNOLOGIES, INC.**, Dartmouth (CA)

(**) Term: **15 Years**

(21) Appl. No.: **29/628,387**

(22) Filed: **Dec. 4, 2017**

(51) **LOC (12) Cl.** **13-03**

(52) **U.S. Cl.**
USPC **D13/177; D13/162**

(58) **Field of Classification Search**
USPC D13/162, 173, 177, 184; D10/49, 50, D10/104.1, 106.1; D14/341, 371
CPC G05B 19/0425; G05B 19/0426; G05B 19/05; G05B 19/409; G05B 19/4147; G06F 3/0484; G06F 3/0489; G06F 1/1601

See application file for complete search history.

(56) **References Cited**

U.S. PATENT DOCUMENTS

D272,433 S *	1/1984	Trabucchi	D13/164
D297,128 S *	8/1988	Guscott	D10/106.1
D459,671 S *	7/2002	Kaufman	D10/106.1
D460,708 S *	7/2002	Ohm	D10/104.1
D496,358 S *	9/2004	Festa	D14/341
D513,497 S *	1/2006	Whitehouse	D13/162
D535,896 S *	1/2007	Simon	D10/40
D558,152 S *	12/2007	Tatsuyama	D13/162
D666,618 S *	9/2012	Doyea	D14/371
D734,276 S *	7/2015	Wiesbaum	D13/164

D803,791 S *	11/2017	Pahner	D13/164
D860,011 S *	9/2019	Berman	D10/50
2005/0085929 A1 *	4/2005	Koch	E02F 9/2004 700/83
2008/0135387 A1 *	6/2008	Chiang	H01H 13/83 200/309
2014/0088737 A1 *	3/2014	Sokoll	G05B 19/048 700/83

* cited by examiner

Primary Examiner — Selina Sikder

(74) *Attorney, Agent, or Firm* — ABM Intellectual Property Inc.; Adrienne Bieber McNeil

(57) **CLAIM**

We claim the ornamental design for a user interface unit for engine and/or generator, as shown and described.

DESCRIPTION

FIG. 1 is a perspective view from the front, top, and left side of a user interface unit for engine and/or generator in accordance with a first variant of said design;

FIG. 2 is a perspective view from the rear, bottom, and right side of the user interface unit for engine and/or generator of FIG. 1;

FIG. 3 is a left side view of the user interface unit for engine and/or generator of FIG. 1;

FIG. 4 is a front view of the user interface unit for engine and/or generator of FIG. 1;

FIG. 5 is a right side view of the user interface unit for engine and/or generator of FIG. 1;

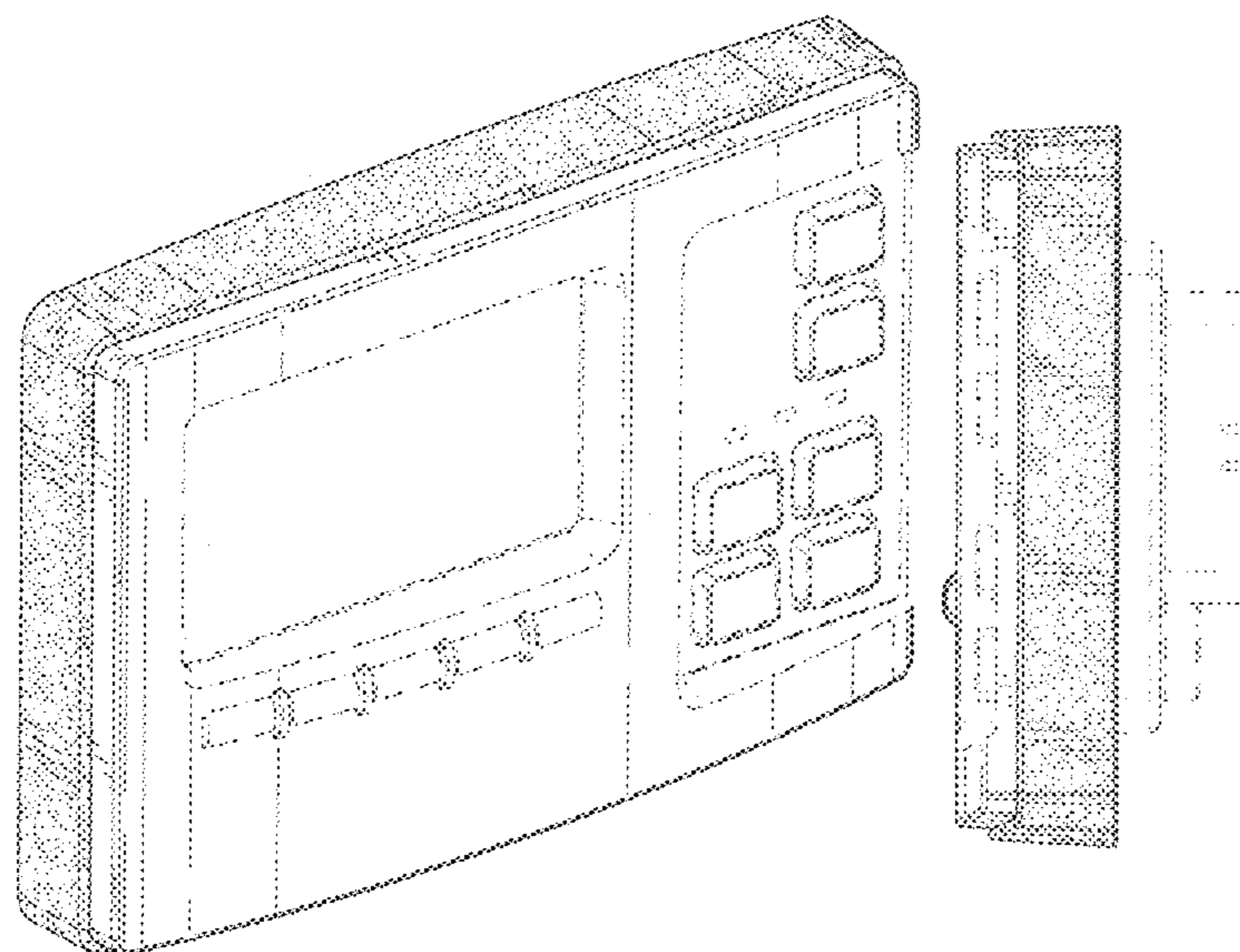
FIG. 6 is a rear view of the user interface unit for engine and/or generator of FIG. 1;

FIG. 7 is a top view of the user interface unit for engine and/or generator of FIG. 1; and,

FIG. 8 is a bottom view of the user interface unit for engine and/or generator of FIG. 1.

The broken lines in the drawings depict portions of the user interface that form no part of the claimed design.

1 Claim, 5 Drawing Sheets



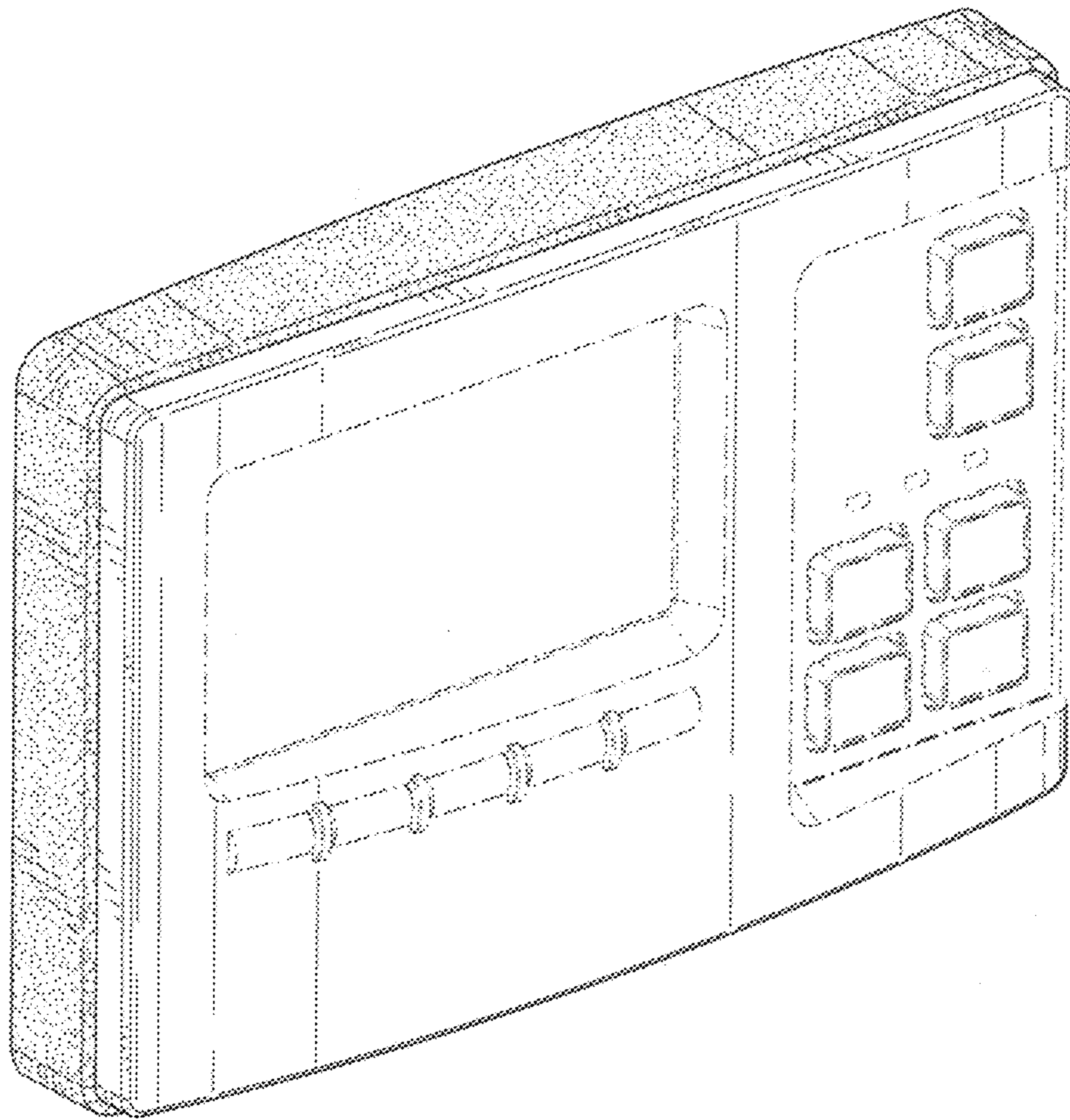


FIG. 1

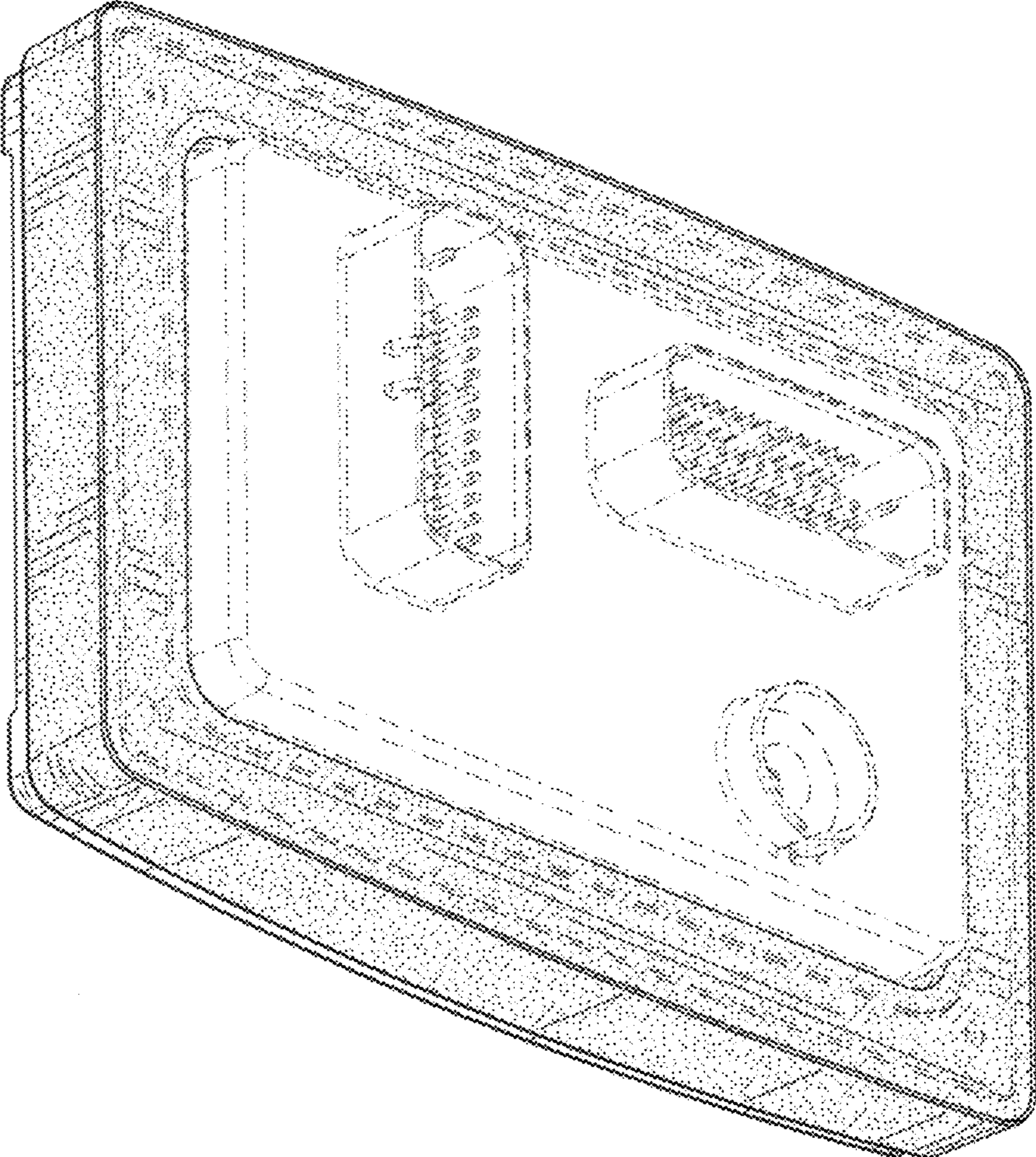


FIG. 2

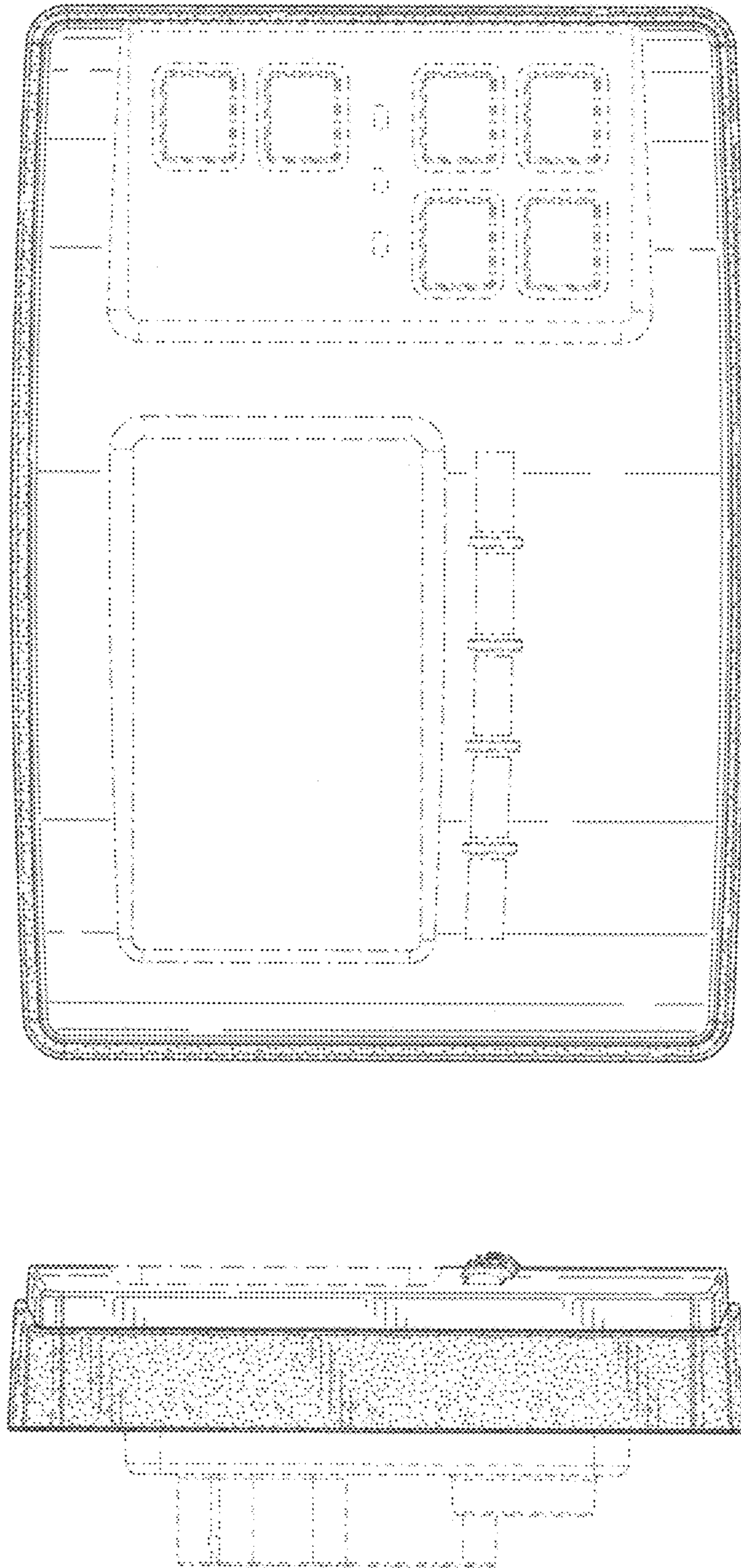


FIG. 4

FIG. 3

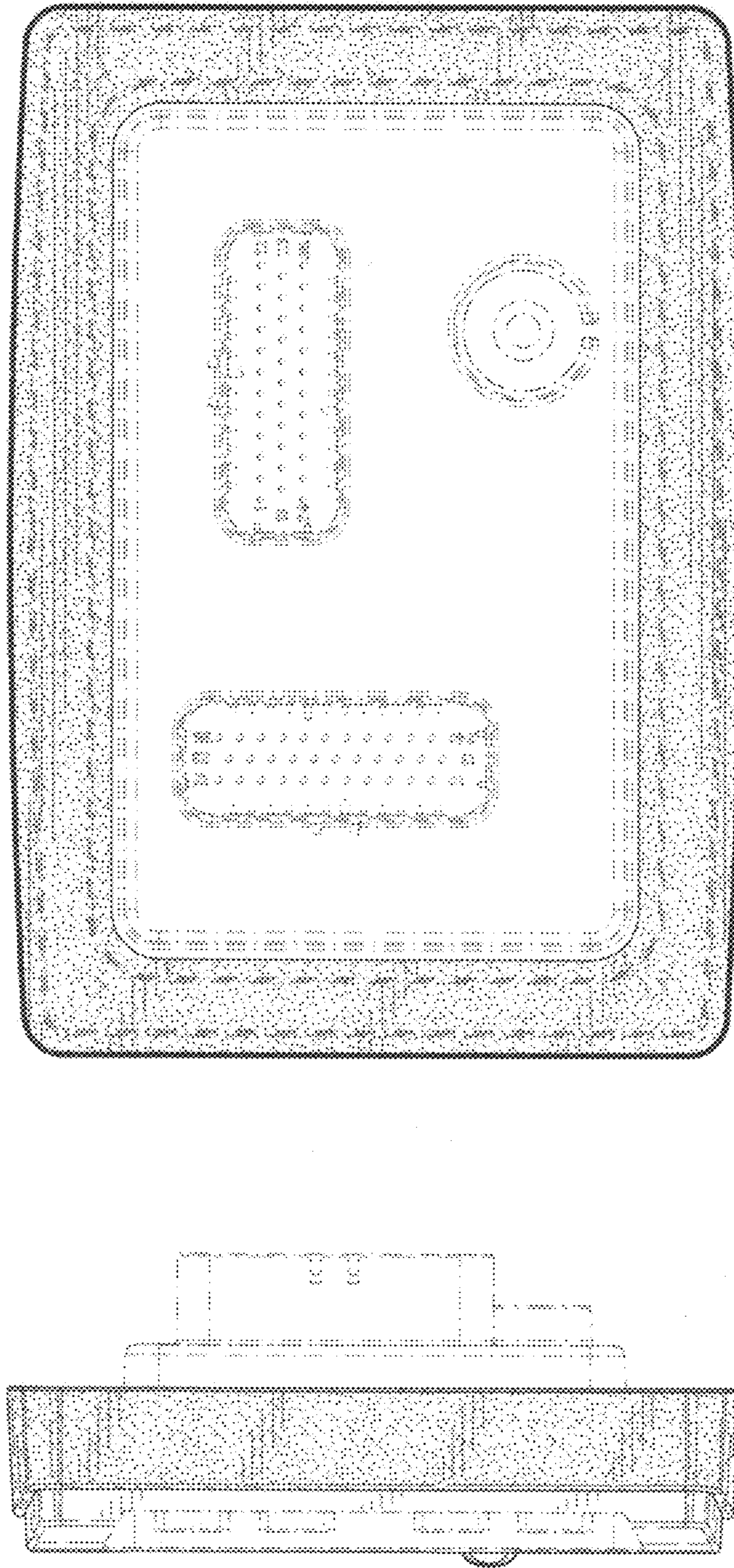


FIG. 6

FIG. 5

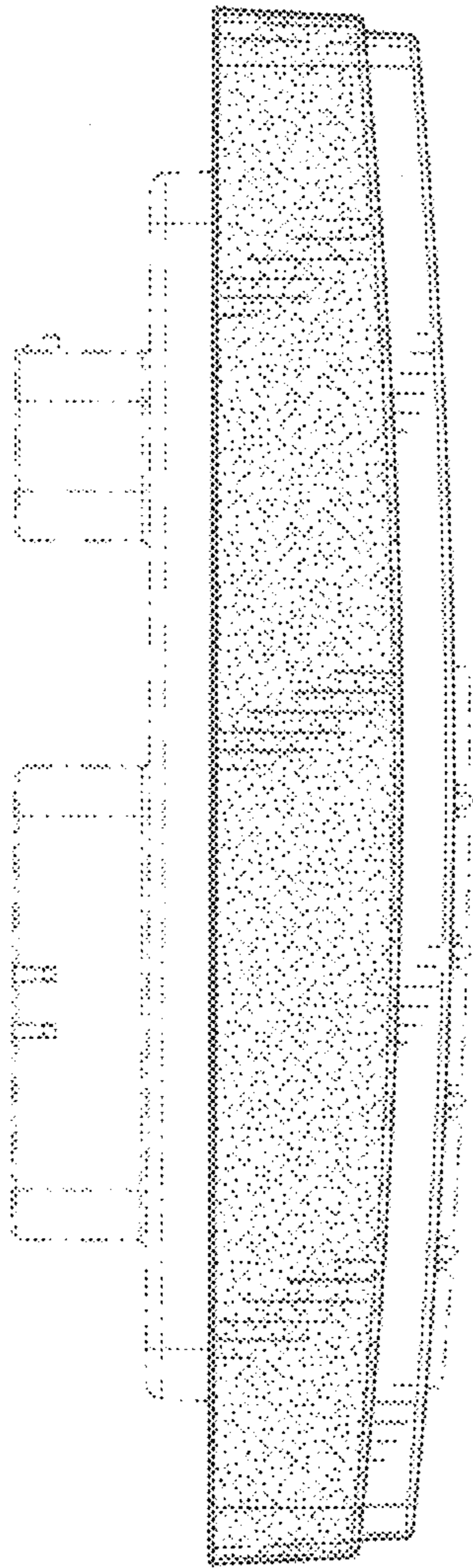


FIG. 7

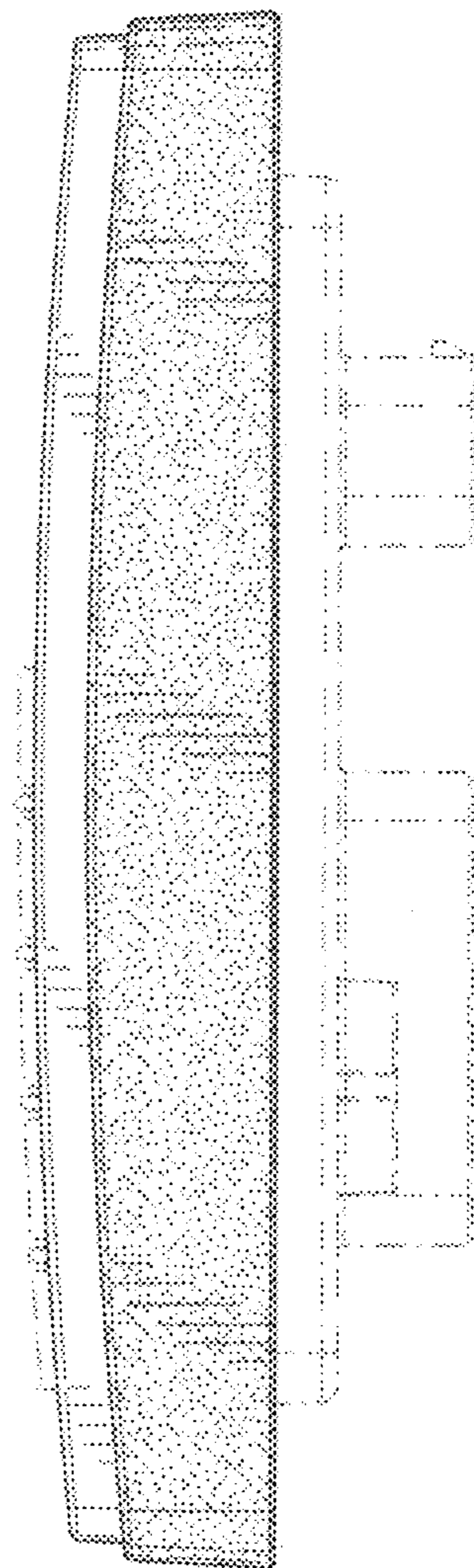


FIG. 8