



US00D891380S

(12) **United States Design Patent** (10) **Patent No.:** **US D891,380 S**  
**Li** (45) **Date of Patent:** **\*\* Jul. 28, 2020**

(54) **MASSAGER CONTROLLER**

(71) Applicant: **Shenzhen Astec technology Co., Ltd,**  
Shenzhen (CN)

(72) Inventor: **Shupeng Li, Shenzhen (CN)**

(\*\*) Term: **15 Years**

(21) Appl. No.: **29/731,270**

(22) Filed: **Apr. 14, 2020**

(51) **LOC (12) Cl.** ..... **14-03**

(52) **U.S. Cl.**  
USPC ..... **D13/168**

(58) **Field of Classification Search**  
USPC ..... D13/162, 168; D14/218, 388, 389, 341,  
D14/346, 138 AD; D24/158, 159, 200;  
D21/329  
CPC ..... H03J 1/0025; H01H 9/0235; H04B 1/202;  
G08C 17/00; G08C 17/02; A61B 5/0017;  
A61B 5/7435; A61B 6/0457; A61B  
2017/00212; A61B 5/4836; A61H 23/00  
See application file for complete search history.

(56) **References Cited**

**U.S. PATENT DOCUMENTS**

D443,596 S *	6/2001	Ohkuma	.....	D13/168
D501,475 S *	2/2005	Kim	.....	D14/346
D509,215 S *	9/2005	Han	.....	D14/343
D528,542 S *	9/2006	Luminosu	.....	D14/346
D575,762 S *	8/2008	Ou	.....	D14/138 G
D592,659 S *	5/2009	Montgomery	.....	D14/341
D608,334 S *	1/2010	van den Brand	.....	D14/138 AD
D616,858 S *	6/2010	Chang	.....	D14/138 AD
D618,201 S *	6/2010	Hachiya	.....	D14/138 G
D624,071 S *	9/2010	Dan	.....	D14/341
D638,816 S *	5/2011	Li	.....	D14/138 G

D645,414 S *	9/2011	Hwang	.....	D13/168
D650,766 S *	12/2011	Hong	.....	D14/138 G
D652,005 S *	1/2012	Koh	.....	D14/138 AD
D654,038 S *	2/2012	Song	.....	D14/138 AD
D657,328 S *	4/2012	Son	.....	D14/138 AD
D657,767 S *	4/2012	Kim	.....	D14/138 AD
D658,617 S *	5/2012	Koh	.....	D14/138 AD
D666,161 S *	8/2012	Zhu	.....	D13/168
D693,324 S *	11/2013	Wang	.....	D14/138 G
D716,963 S	11/2014	Yosef et al.		
D750,798 S	3/2016	Yosef et al.		
D774,471 S *	12/2016	Kwan	.....	D13/168
D809,507 S *	2/2018	Akana	.....	D14/341
D829,182 S	9/2018	Li		

\* cited by examiner

*Primary Examiner* — Selina Sikder  
(74) *Attorney, Agent, or Firm* — HYIP

(57) **CLAIM**

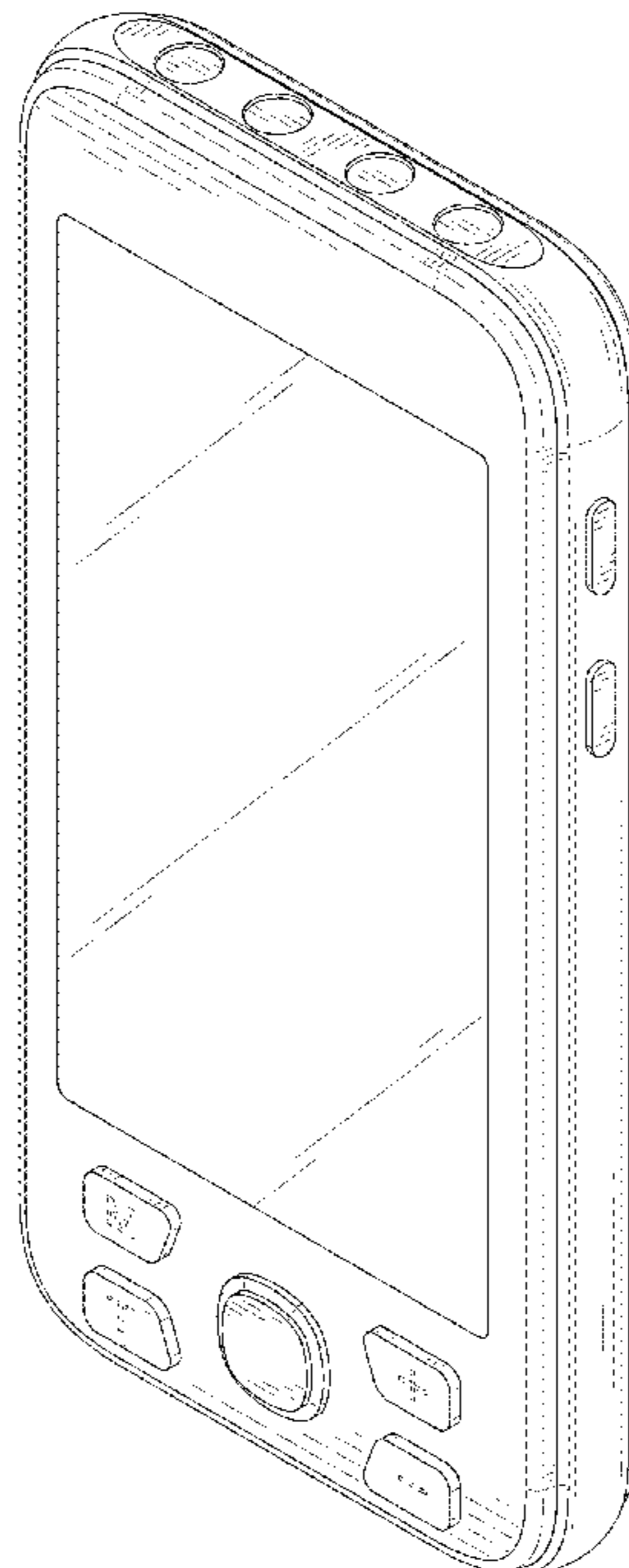
The ornamental design for a massager controller, as shown and described.

**DESCRIPTION**

FIG. 1 is a first perspective view of a massager controller showing my new design;  
FIG. 2 is a second perspective view thereof;  
FIG. 3 is a front view thereof;  
FIG. 4 is a back view thereof;  
FIG. 5 is a left side view thereof;  
FIG. 6 is a right side view thereof;  
FIG. 7 is a top view thereof; and,  
FIG. 8 is a bottom view thereof.

The broken lines shown in the drawings depict portions of the massager controller in which the design is embodied that form no part of the claimed design.

**1 Claim, 8 Drawing Sheets**



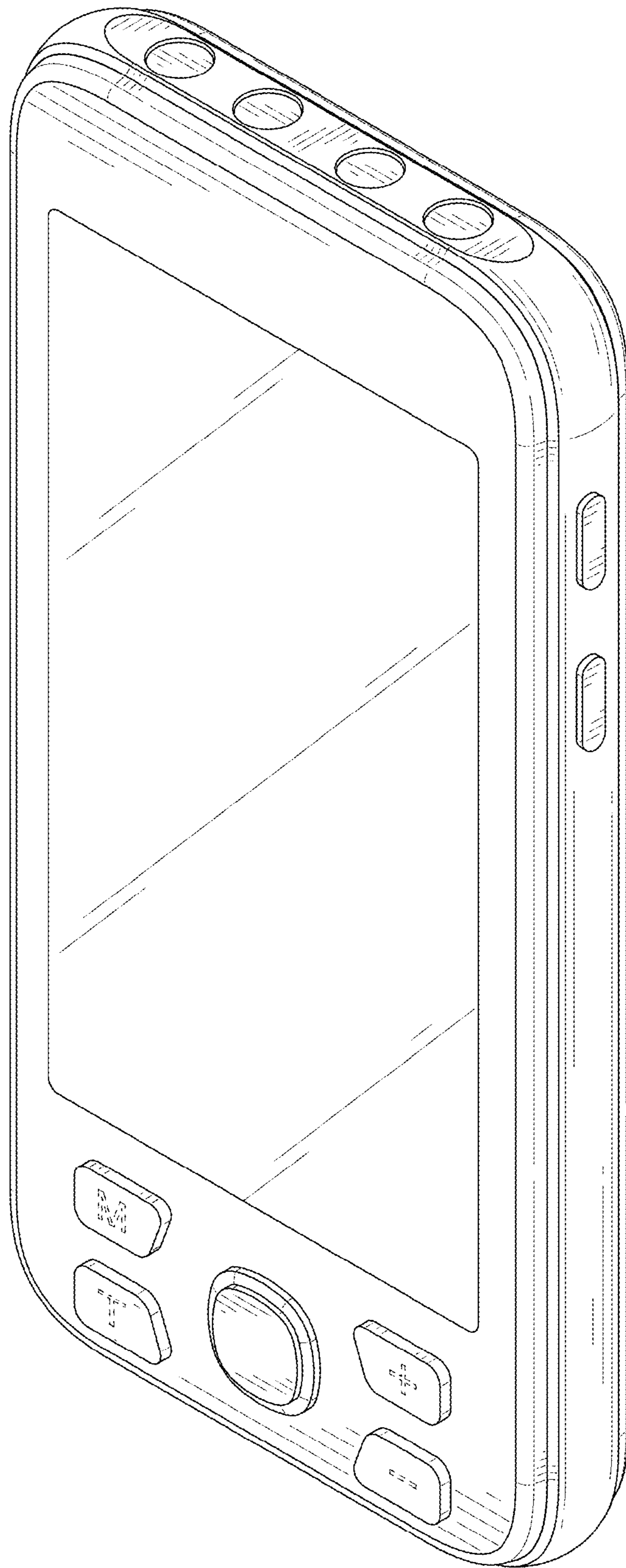


FIG. 1

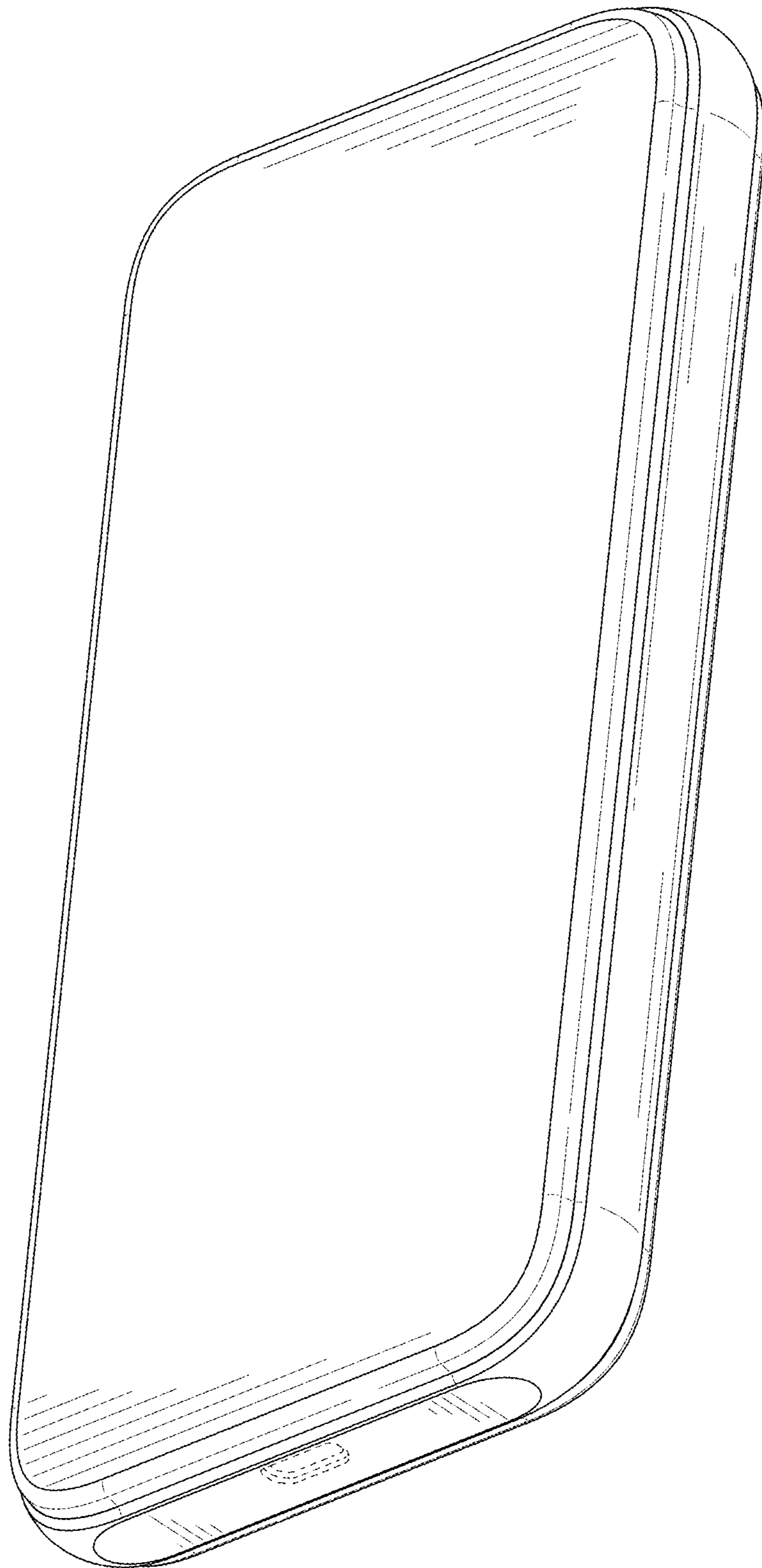


FIG. 2

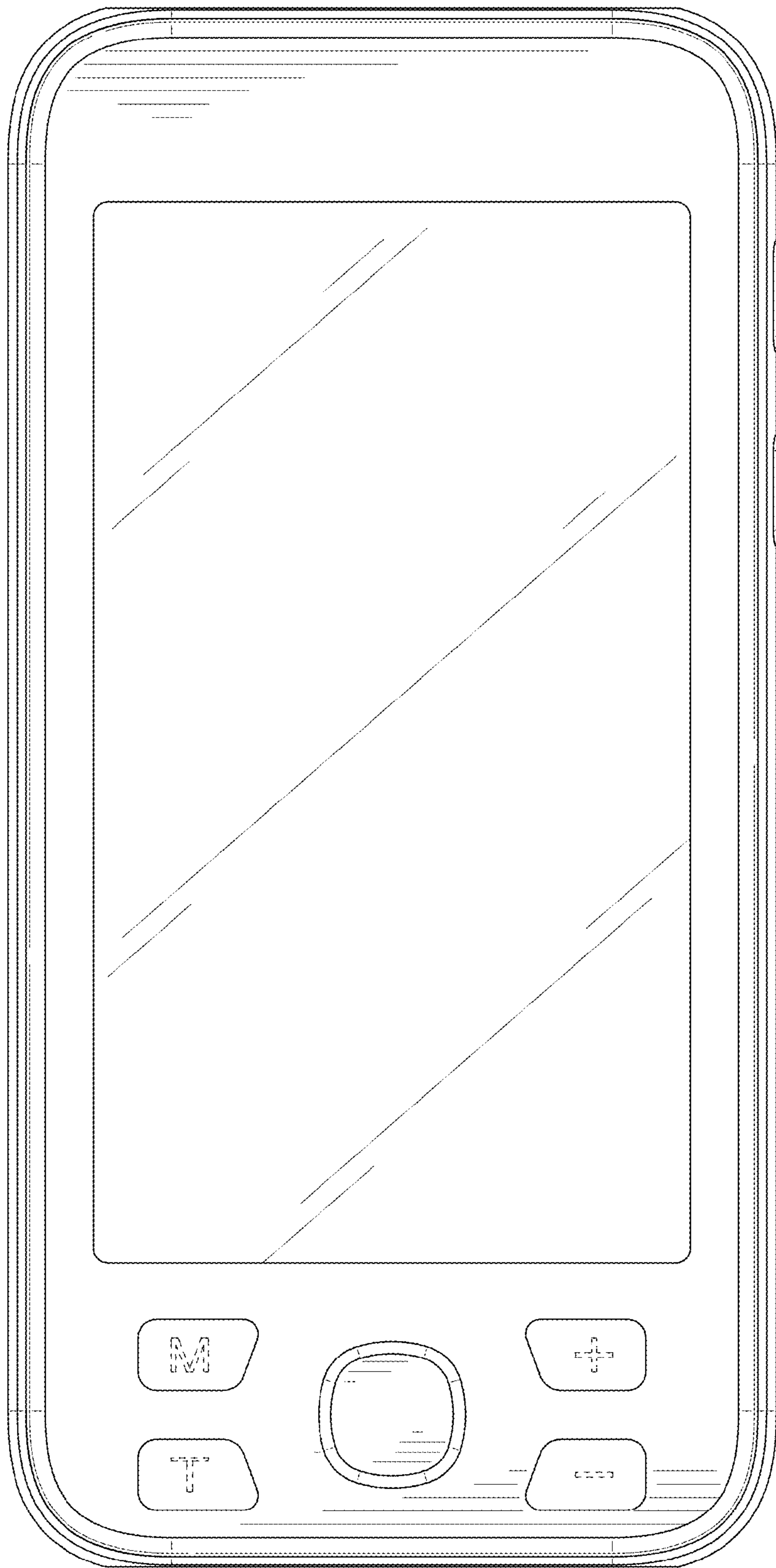


FIG. 3



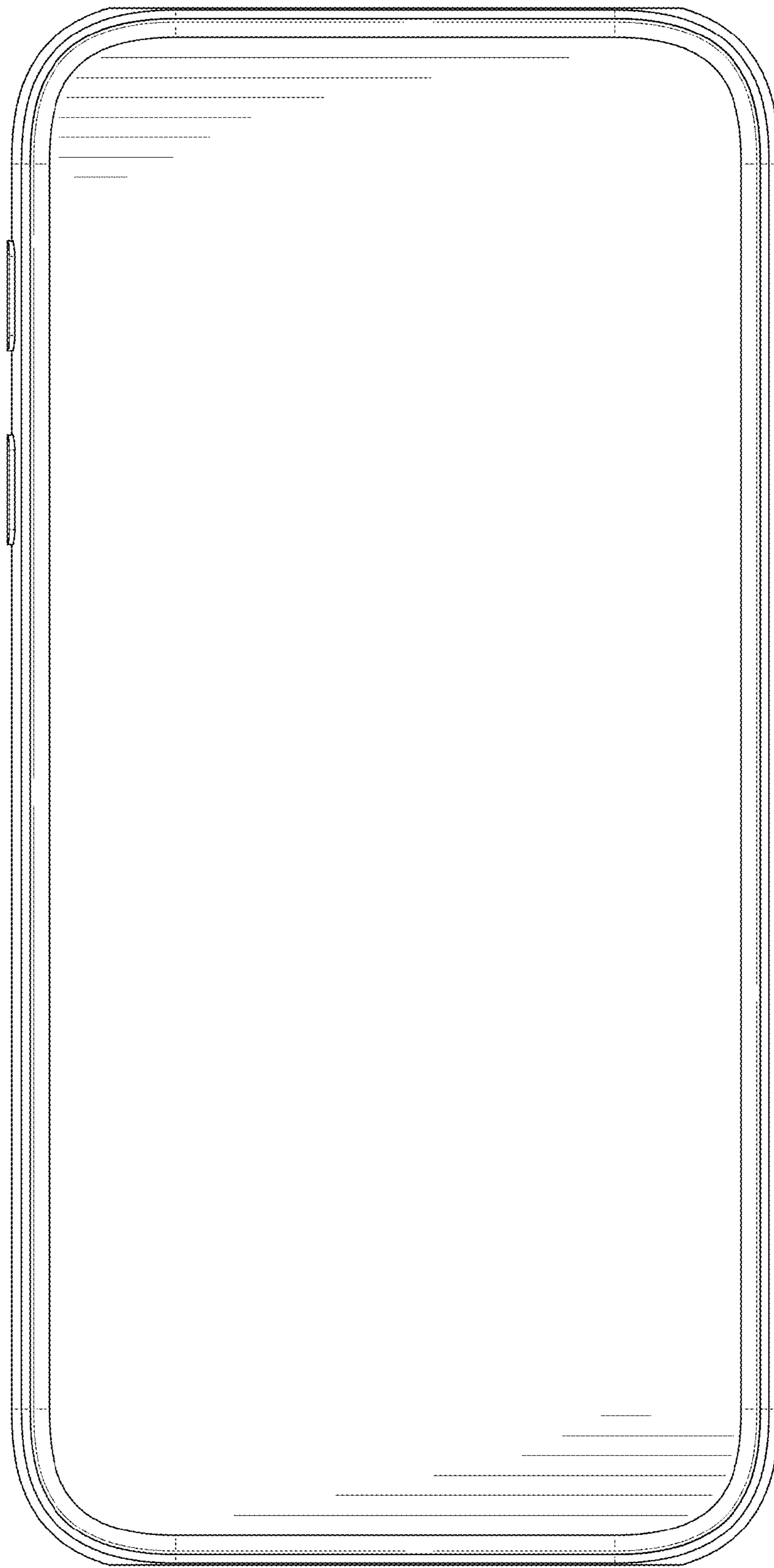


FIG. 4

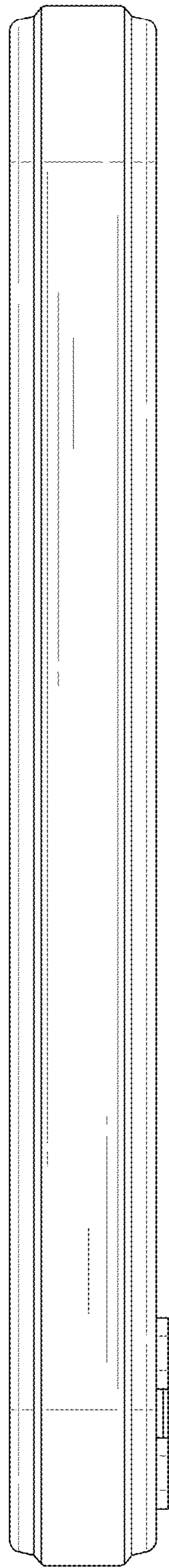


FIG. 5

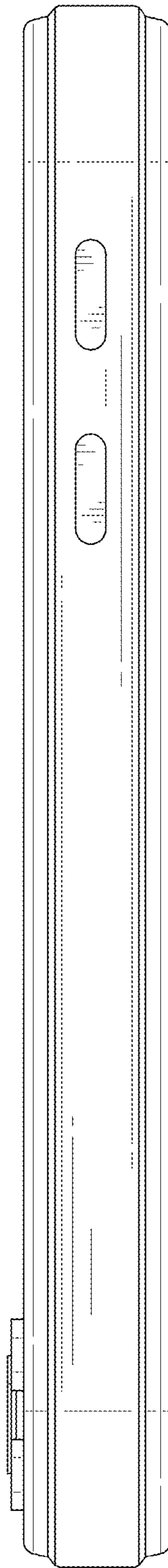


FIG. 6

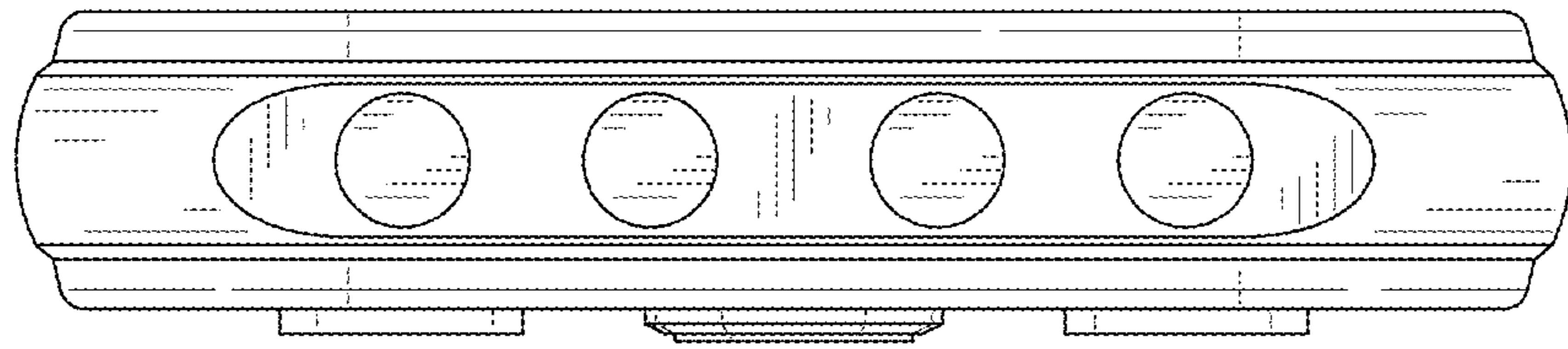


FIG. 7



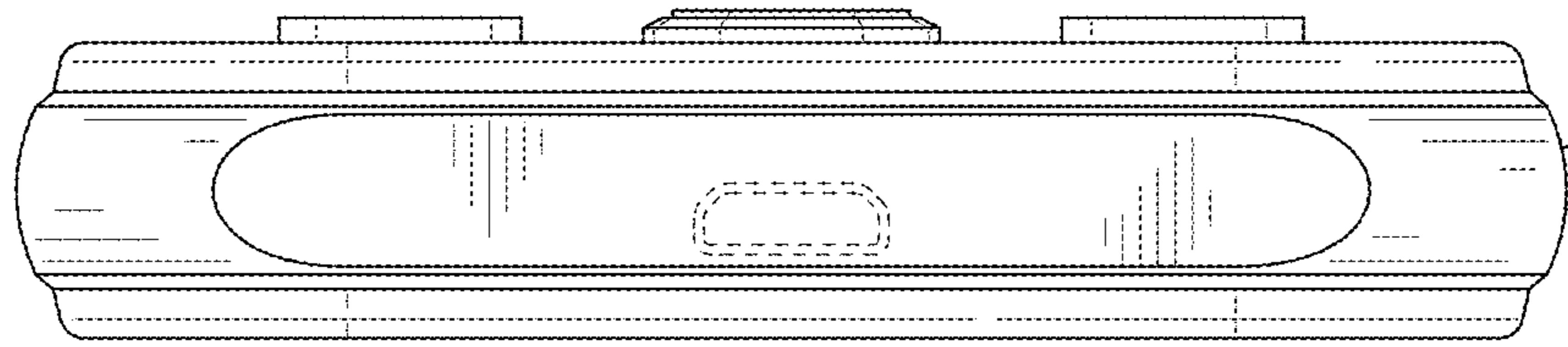


FIG. 8