



US00D891376S

(12) **United States Design Patent** (10) **Patent No.:** **US D891,376 S**  
**Price et al.** (45) **Date of Patent:** **\*\* Jul. 28, 2020**

(54) **IRRIGATION CONTROLLER OUTER HOUSING**

(71) Applicant: **Rain Bird Corporation**, Azusa, CA (US)

(72) Inventors: **John E. Price**, Tucson, AZ (US); **Joseph G. Porrazzo, Jr.**, Sahuarita, AZ (US); **Scott M. Cline**, New Albany, OH (US); **Edward M. Gandelman**, Columbus, OH (US)

(73) Assignee: **Rain Bird Corporation**, Azusa, CA (US)

(\*\*) Term: **15 Years**

(21) Appl. No.: **29/676,278**

(22) Filed: **Jan. 9, 2019**

(51) **LOC (12) Cl.** ..... **13-03**

(52) **U.S. Cl.**  
USPC ..... **D13/162; D13/184**

(58) **Field of Classification Search**  
USPC ..... D13/162, 164, 168, 184; D10/46, 49, 96  
CPC .... A01G 25/16; A01G 25/165; A01G 25/167;  
H05K 5/0017; G05B 19/02; G05B 19/04;  
G05B 19/042; G05B 19/0423; G05B  
19/0426; Y10T 137/86389

See application file for complete search history.

(56) **References Cited**

**U.S. PATENT DOCUMENTS**

D332,416 S \* 1/1993 Craig ..... D10/100  
6,240,336 B1 \* 5/2001 Brundisini ..... G05B 19/0426  
239/436  
D492,264 S 6/2004 Perez  
D546,772 S 7/2007 Venegas  
D580,373 S \* 11/2008 Stange ..... D13/162  
D581,880 S \* 12/2008 Neitzel ..... D13/162  
7,613,546 B2 \* 11/2009 Nelson ..... A01G 25/165  
239/63

D608,301 S 1/2010 Clark  
D613,255 S \* 4/2010 Paul ..... D13/162  
7,953,517 B1 \* 5/2011 Porter ..... A01G 25/165  
700/284  
8,271,144 B2 \* 9/2012 Kah, Jr. .... A01G 25/16  
700/284  
D689,441 S \* 9/2013 Kah, Jr. .... D13/162  
D691,966 S 10/2013 Stossell  
8,867,194 B2 \* 10/2014 Woytowicz ..... H05B 47/20  
361/640  
9,538,713 B2 \* 1/2017 Pearson ..... G05B 15/02  
9,577,415 B1 \* 2/2017 Veloskey ..... H05K 5/0026  
D797,682 S \* 9/2017 Sharp ..... D13/162

(Continued)

**OTHER PUBLICATIONS**

U.S. Appl. No. 29/676,271, filed Jan. 9, 2019, John E. Price.

(Continued)

*Primary Examiner* — Selina Sikder

(74) *Attorney, Agent, or Firm* — Fitch, Even, Tabin & Flannery LLP

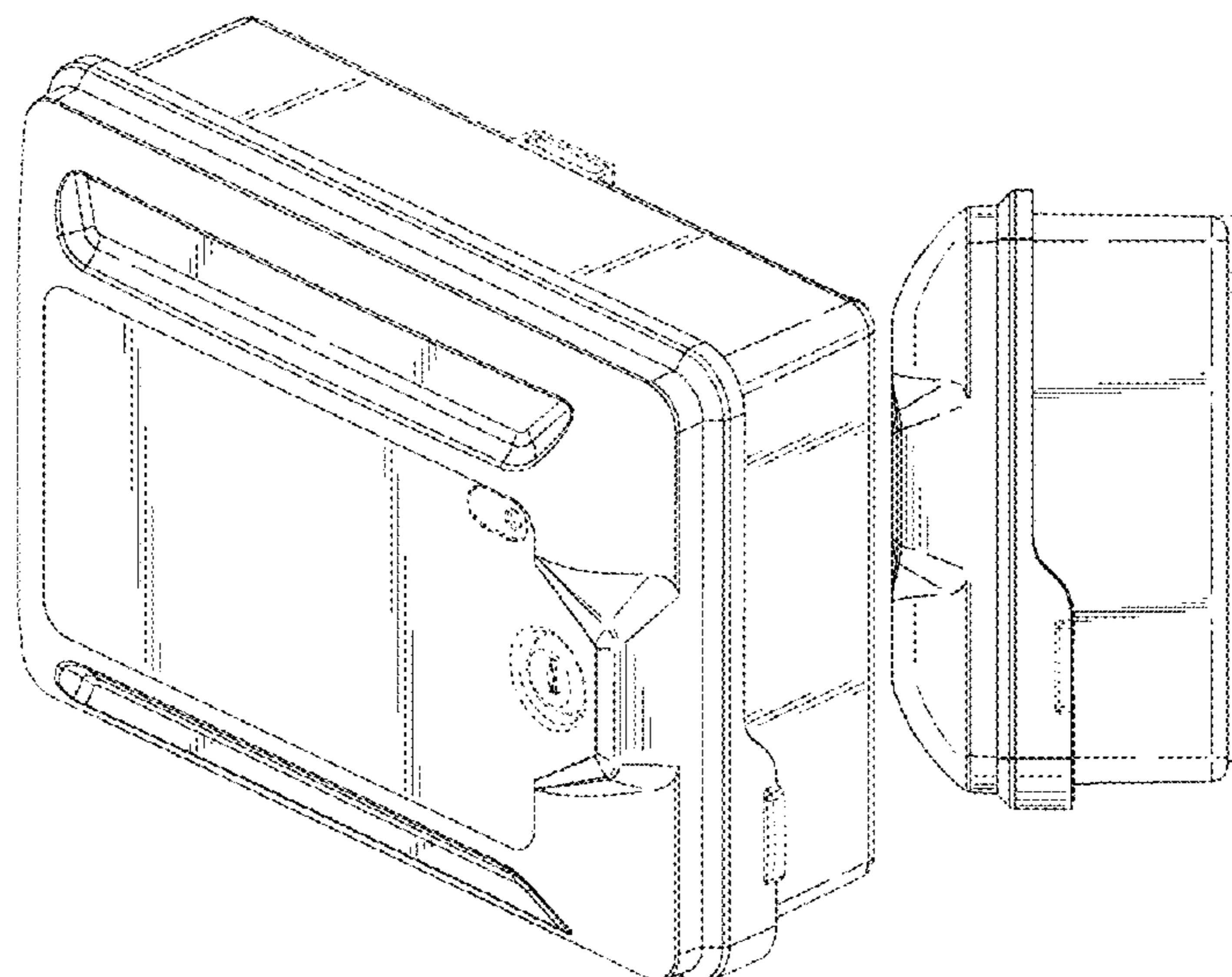
(57) **CLAIM**

We claim the ornamental design for an irrigation controller outer housing, as shown and described.

**DESCRIPTION**

FIG. 1 is a front perspective view of the irrigation controller outer housing according to our new design; FIG. 2 is a front elevation view thereof; FIG. 3 is a left side elevation view thereof; FIG. 4 is a right side elevation view thereof; FIG. 5 is a top plan view thereof; FIG. 6 is a bottom plan view thereof; and, FIG. 7 is a rear elevation view thereof. The broken lines in the drawing view show portions of the design that form no part of the claimed design.

**1 Claim, 5 Drawing Sheets**



(56)

**References Cited**

U.S. PATENT DOCUMENTS

D808,908 S \* 1/2018 Paul ..... D13/162  
10,069,284 B1 \* 9/2018 Paul ..... A01G 25/165  
D853,973 S \* 7/2019 Sharp ..... D13/162  
10,368,503 B2 \* 8/2019 Kah, Jr. .... G05B 19/0428  
2008/0058964 A1 \* 3/2008 Nickerson ..... A01G 25/16  
700/19  
2014/0018965 A1 \* 1/2014 Pearson ..... G05B 15/02  
700/284

OTHER PUBLICATIONS

Rain Bird; "ESP-LX Basic Controller Installation, Programming & Operation Guide"; [https://www.rainbird.com/sites/default/files/media/documents/2018-02/man\\_ESP-LXBasic\\_en.pdf](https://www.rainbird.com/sites/default/files/media/documents/2018-02/man_ESP-LXBasic_en.pdf); May 14, 2007; pp. 1-80.

Rain Bird; "ESP-LXD 2-Wire Decoder System Design Guide"; [https://www.rainbird.com/sites/default/files/media/documents/2018-02/man\\_ESP-LXD2-WireDecoderSystemDesignGuide.pdf](https://www.rainbird.com/sites/default/files/media/documents/2018-02/man_ESP-LXD2-WireDecoderSystemDesignGuide.pdf); Jun. 2012; pp. 1-28.

Rain Bird; "ESP-Me Controller User Manual"; [https://www.rainbird.com/sites/default/files/media/documents/2018-02/man\\_ESP-Me-WiFi-Compatible\\_en.pdf](https://www.rainbird.com/sites/default/files/media/documents/2018-02/man_ESP-Me-WiFi-Compatible_en.pdf); Oct. 3, 2016; pp. 1-17.

Rain Bird; "ESP-Me WiFi Compatible Modular Controller"; [https://www.rainbird.com/sites/default/files/media/documents/2018-02/bro\\_ESP-Me-WiFi\\_RightChoiceSellsheet\\_en.pdf](https://www.rainbird.com/sites/default/files/media/documents/2018-02/bro_ESP-Me-WiFi_RightChoiceSellsheet_en.pdf); Jan. 3, 2019; pp. 1-2.

\* cited by examiner

FIG. 1

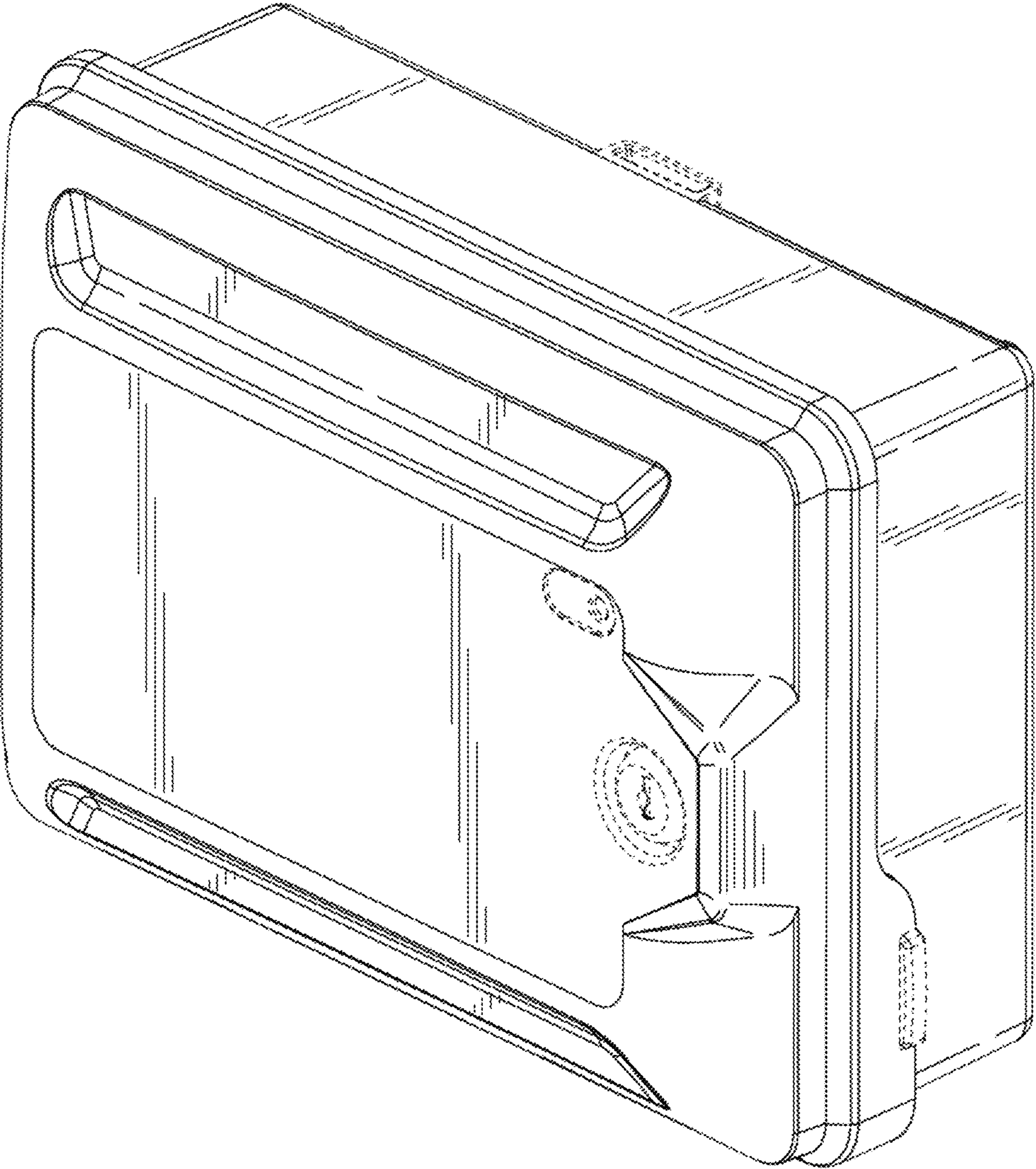


FIG. 2

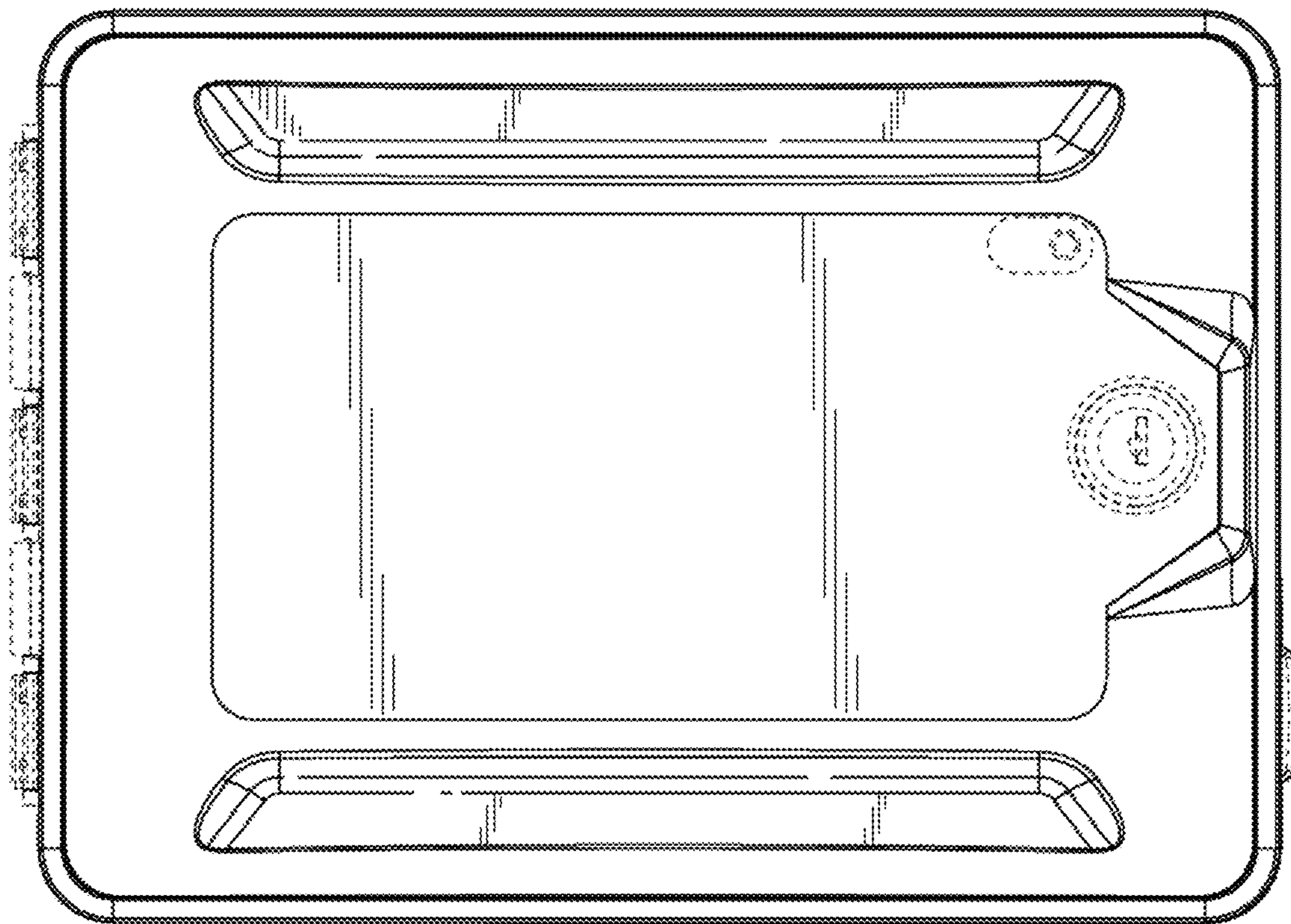


FIG. 3

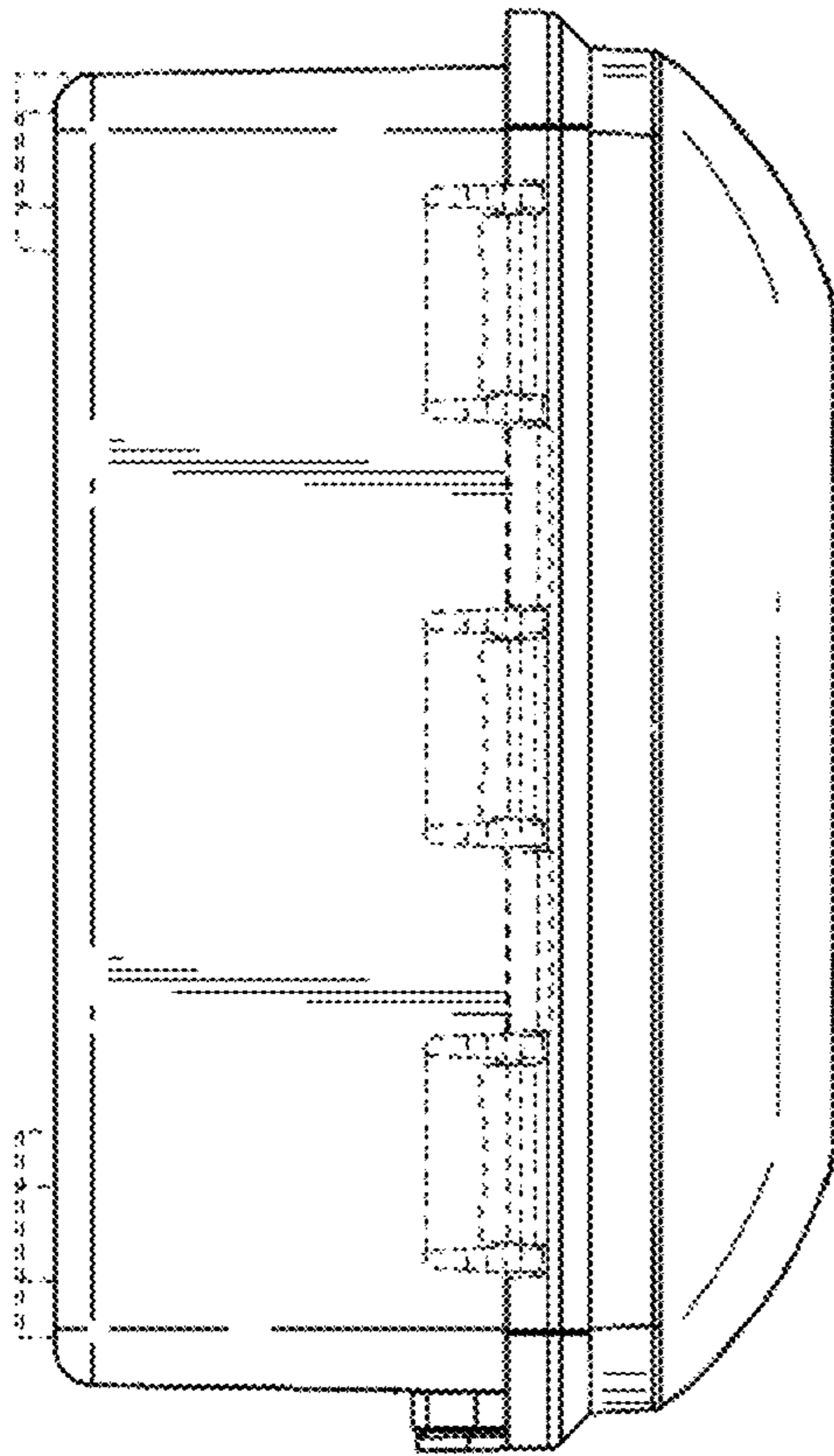


FIG. 4

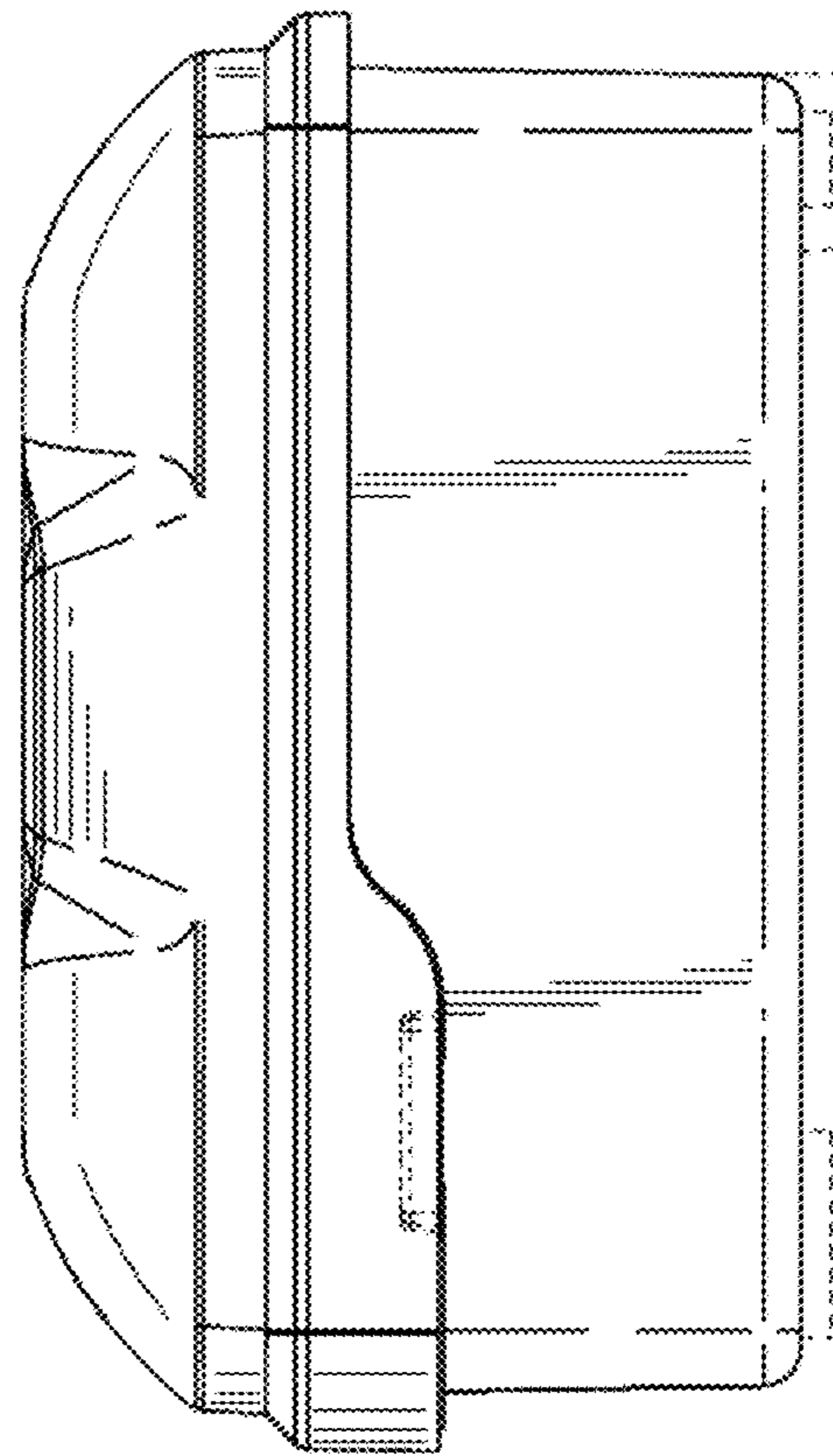


FIG. 5

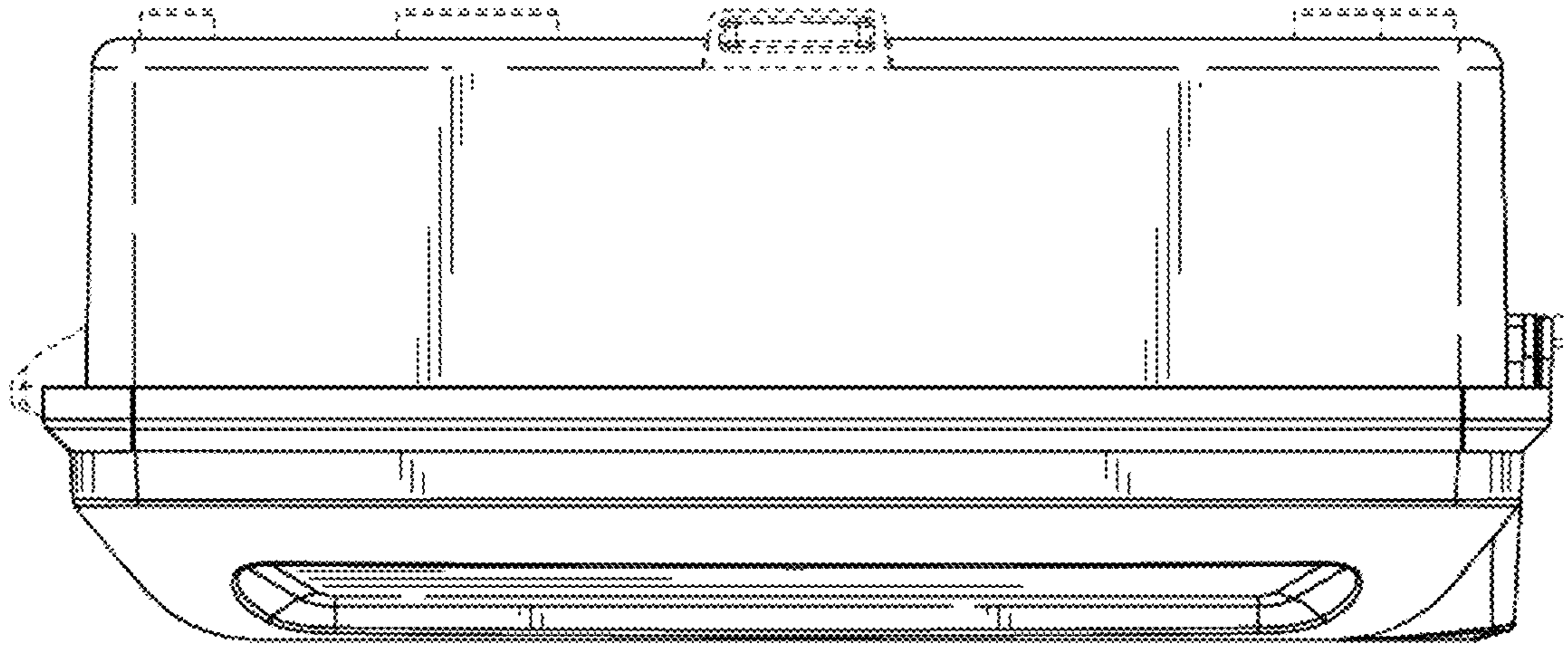


FIG. 6

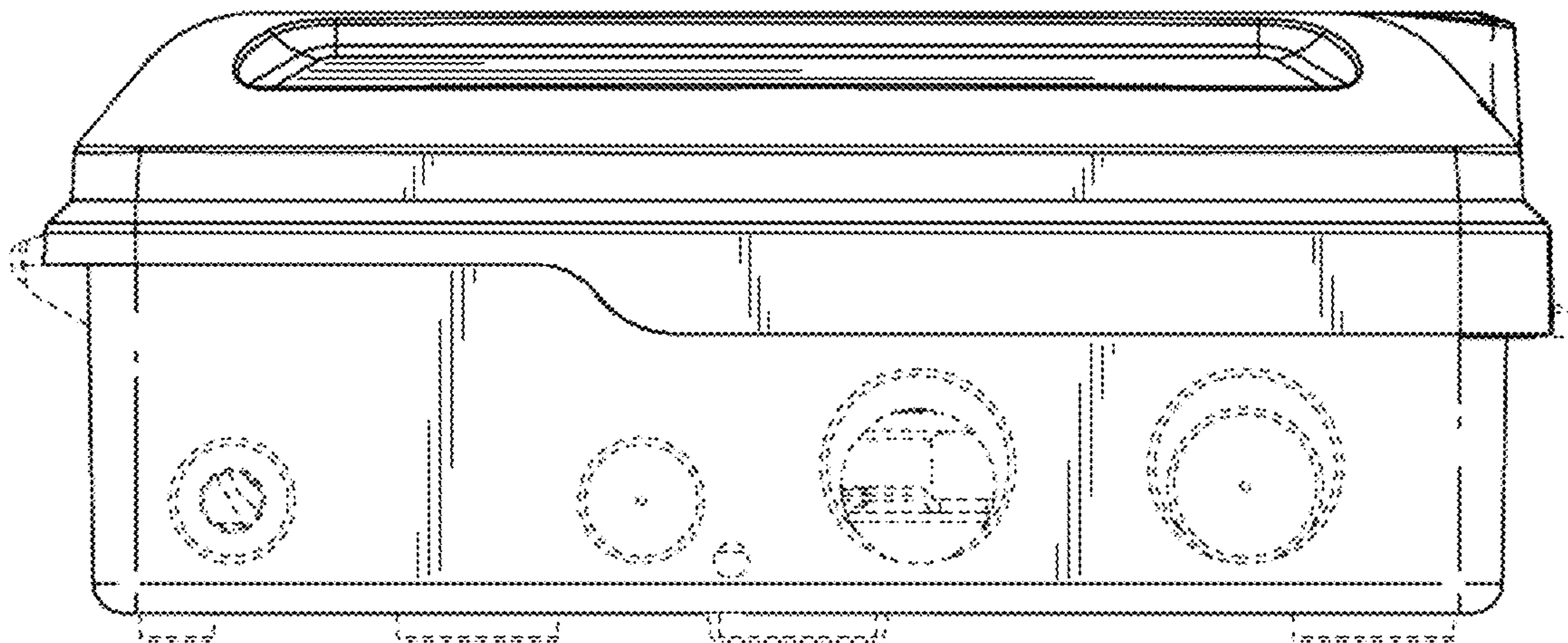


FIG. 7

