



US00D891375S

(12) **United States Design Patent**
Aromin et al.

(10) **Patent No.:** **US D891,375 S**
(45) **Date of Patent:** **** Jul. 28, 2020**

(54) **APPLIANCE LEAKAGE CURRENT INTERRUPTER**

(71) Applicant: **Tower Manufacturing Corp.**,
Providence, RI (US)

(72) Inventors: **Victor V Aromin**, West Warwick, RI (US); **Daniel R Paquette**, Woonsocket, RI (US); **Louis J. Shatkin**, East Greenwich, RI (US)

(73) Assignee: **Tower Manufacturing Co.**, Providence, RI (US)

(**) Term: **15 Years**

(21) Appl. No.: **29/708,460**

(22) Filed: **Oct. 7, 2019**

Related U.S. Application Data

(63) Continuation-in-part of application No. 29/659,750, filed on Aug. 11, 2018, now abandoned, which is a continuation-in-part of application No. 29/583,744, filed on Nov. 8, 2016, now abandoned.

(51) **LOC (12) Cl.** **13-03**

(52) **U.S. Cl.**
USPC **D13/138.2**

(58) **Field of Classification Search**

USPC D13/103, 107, 108, 110, 133,
D13/137.1–137.4, 138.1–138.2,
D13/139.1–139.8, 146, 147, 151–156,
D13/173, 177, 199, 160; D14/432, 433,
D14/435.1, 250; D23/231, 232;
D15/7–9; D8/350, 353–356
CPC H01R 11/00; H01R 9/00; H01R 13/00;
H01R 13/04; H01R 13/10; H01R
13/6666; H01R 13/6675; H01R 25/00;
H01R 25/006; H01H 2207/00; H01H
2207/022; Y02E 60/12; Y02E 60/122;
Y02E 60/124; Y02E 60/50; H01M 2/02;
H01M 2/022; H01M 2/0202; H01M

2/0207; H01M 2/0212; H01M 2/1061;
H01M 2/1022; H01M 2/1055; H01M
2/1066; H01M 2/105; H01M 2/204; H02J
7/00; H02J 7/0003; H02J 7/0011; H02J
7/0013; H02J 7/0054; H02J 7/0055; H02J
7/0057; Y02T 10/7005; Y02T 10/705;
Y02T 10/7088; B60L 11/1809; B60L
11/1861

See application file for complete search history.

(56) **References Cited**

U.S. PATENT DOCUMENTS

D414,747 S * 10/1999 Aromin D13/160
D579,881 S * 11/2008 Aromin D13/160
D614,129 S * 4/2010 Nylen D13/108
D621,348 S * 8/2010 Nylen D13/108

(Continued)

Primary Examiner — Rosemary K Tarcza

Assistant Examiner — Christy M Nemeth

(57) **CLAIM**

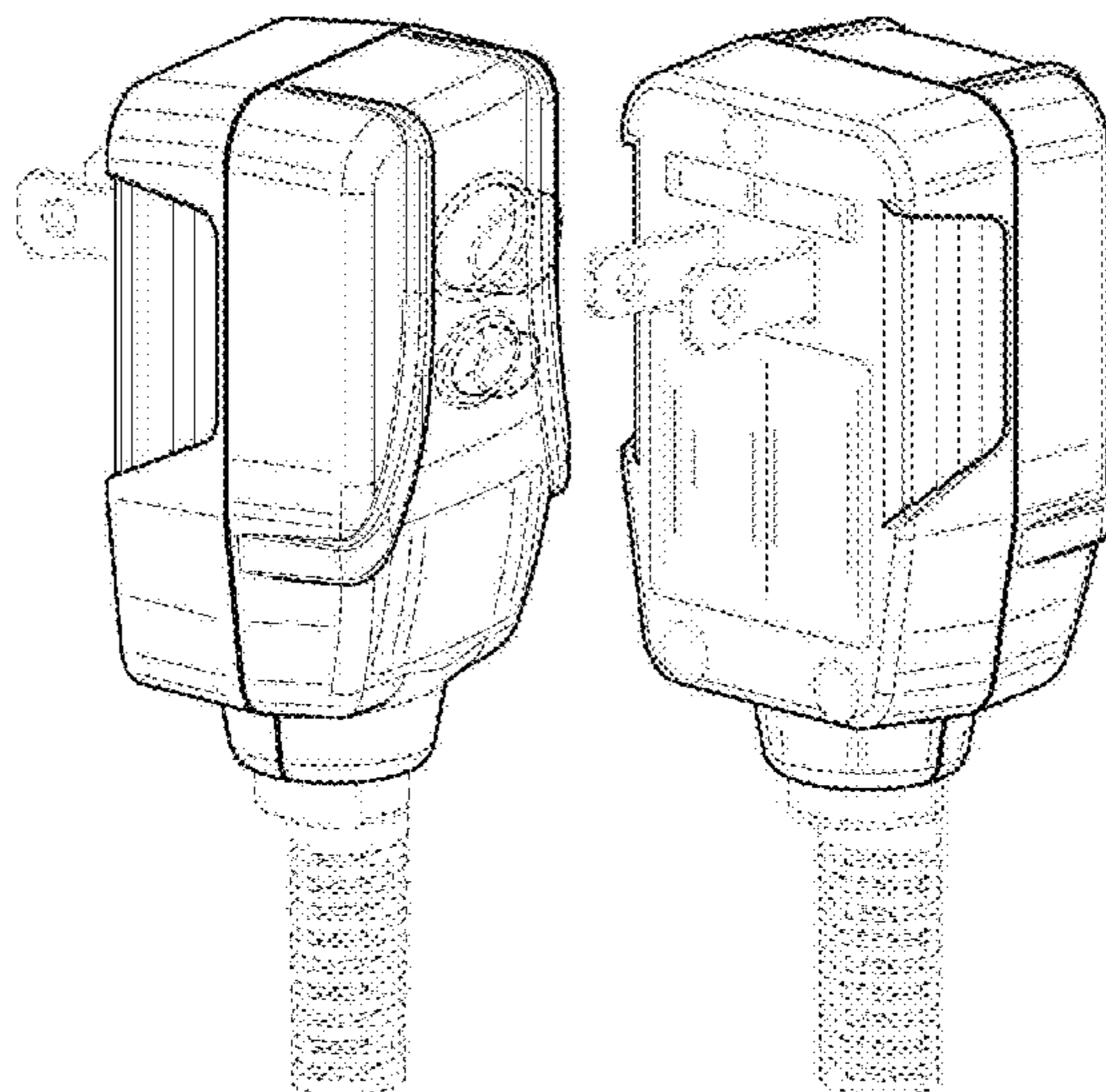
The ornamental design for an appliance leakage current interrupter, substantially as shown and described.

DESCRIPTION

FIG. 1 is a top, left side perspective of an appliance leakage current interrupter;
FIG. 2 is a bottom, left side perspective view thereof;
FIG. 3 is a top plan view thereof;
FIG. 4 is a left side view thereof, the right side being a mirror image;
FIG. 5 is a bottom plan view thereof;
FIG. 6 is a front view thereof; and,
FIG. 7 is a rear view thereof.

The broken lines in the drawings are for the purpose of illustrating portions of the appliance leakage current interrupter and environmental subject matter which form no part of the claimed design.

1 Claim, 3 Drawing Sheets



(56)

References Cited

U.S. PATENT DOCUMENTS

D621,349 S * 8/2010 Nylén D13/108
D627,729 S * 11/2010 Smith D13/108
D652,801 S * 1/2012 Zou D13/139.8
D653,214 S * 1/2012 Zou D13/138.2
D660,796 S * 5/2012 Wen D13/110
D702,631 S * 4/2014 Esses D13/108
D704,630 S * 5/2014 Liu D13/108
D705,725 S * 5/2014 Ryu D13/108
D742,831 S * 11/2015 Yu D13/139.6
D759,016 S * 6/2016 Zaslavsky D14/433
D819,572 S * 6/2018 Ye D13/138.2
D821,977 S * 7/2018 Ye D13/138.2
D849,577 S * 5/2019 Aromin D10/78
D860,138 S * 9/2019 Aromin D13/138.2
D860,141 S * 9/2019 Cyzen D13/156
10,439,327 B1 * 10/2019 Cyzen H02G 3/14
D867,286 S * 11/2019 Akana D13/110
D867,287 S * 11/2019 Akana D13/110
D868,698 S * 12/2019 Aromin D13/137.1
D870,114 S * 12/2019 Laffon de Mazieres D14/433
D872,035 S * 1/2020 Aromin D13/160

* cited by examiner

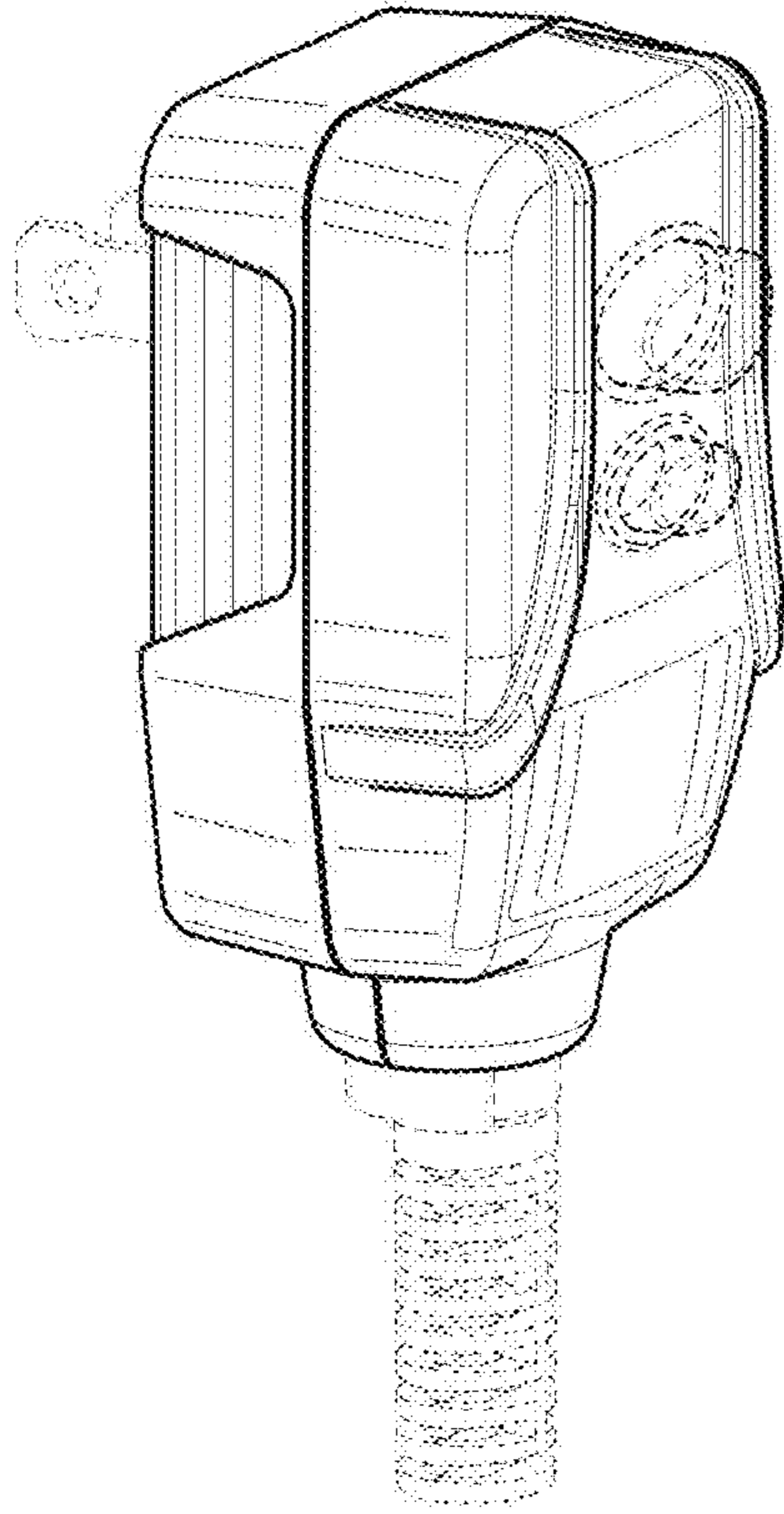


FIG. 1

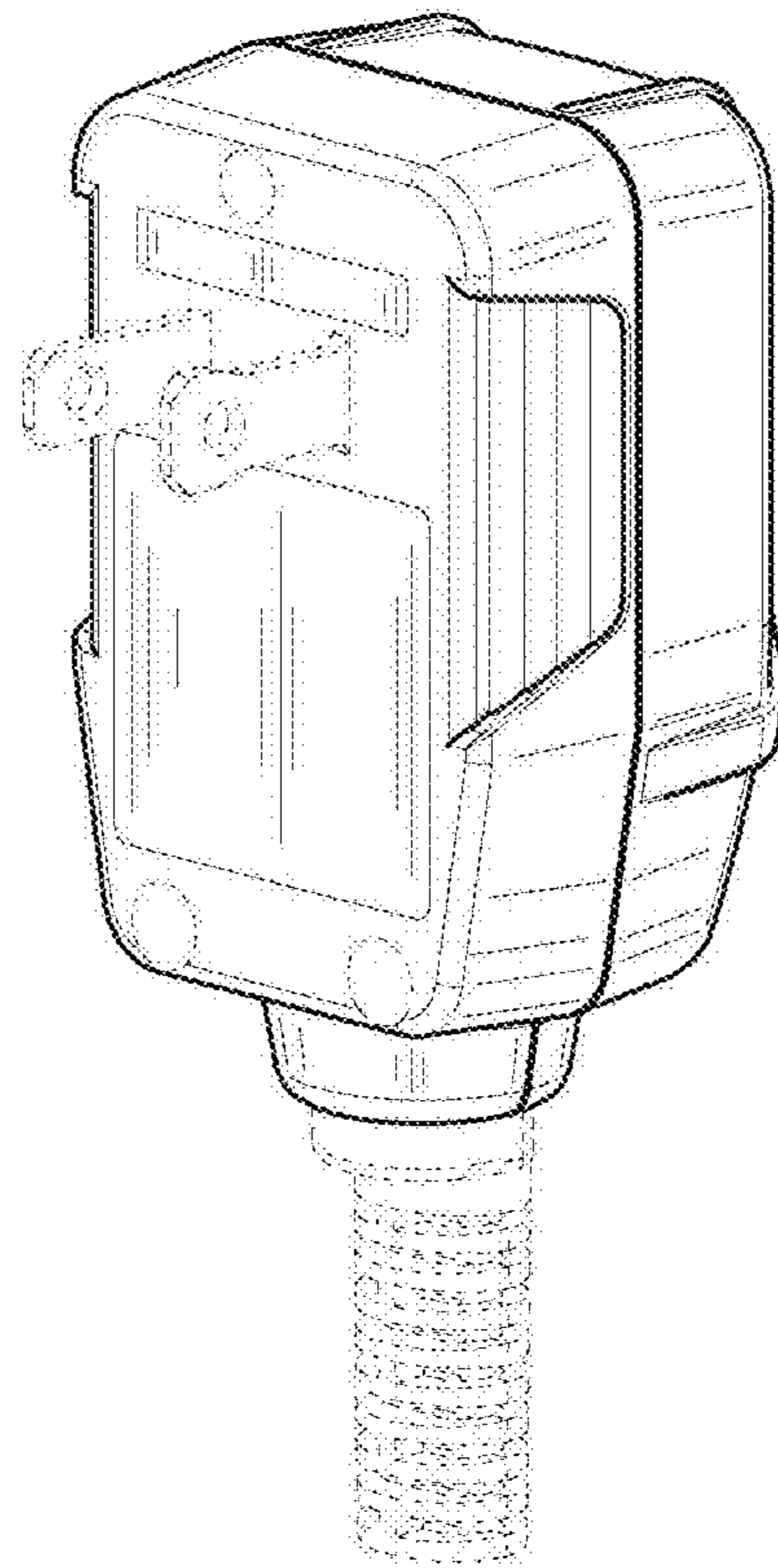


FIG. 2

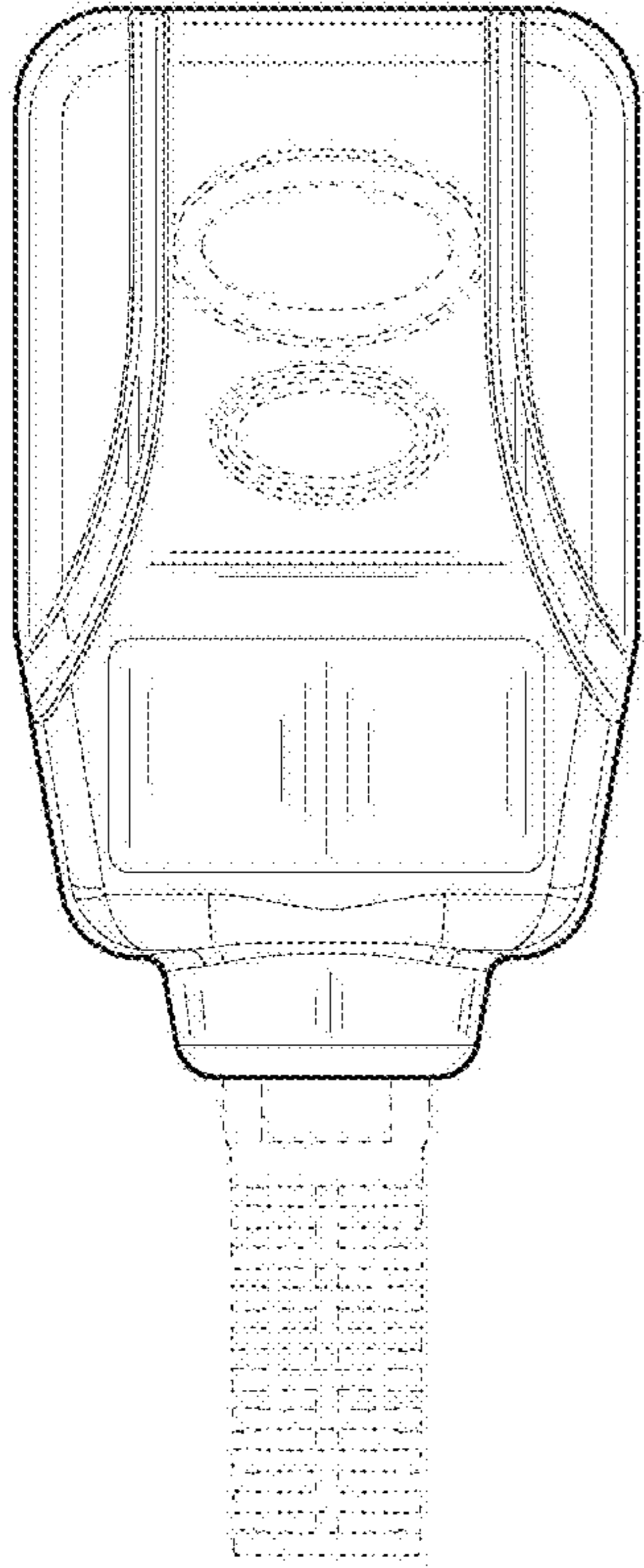


FIG. 3

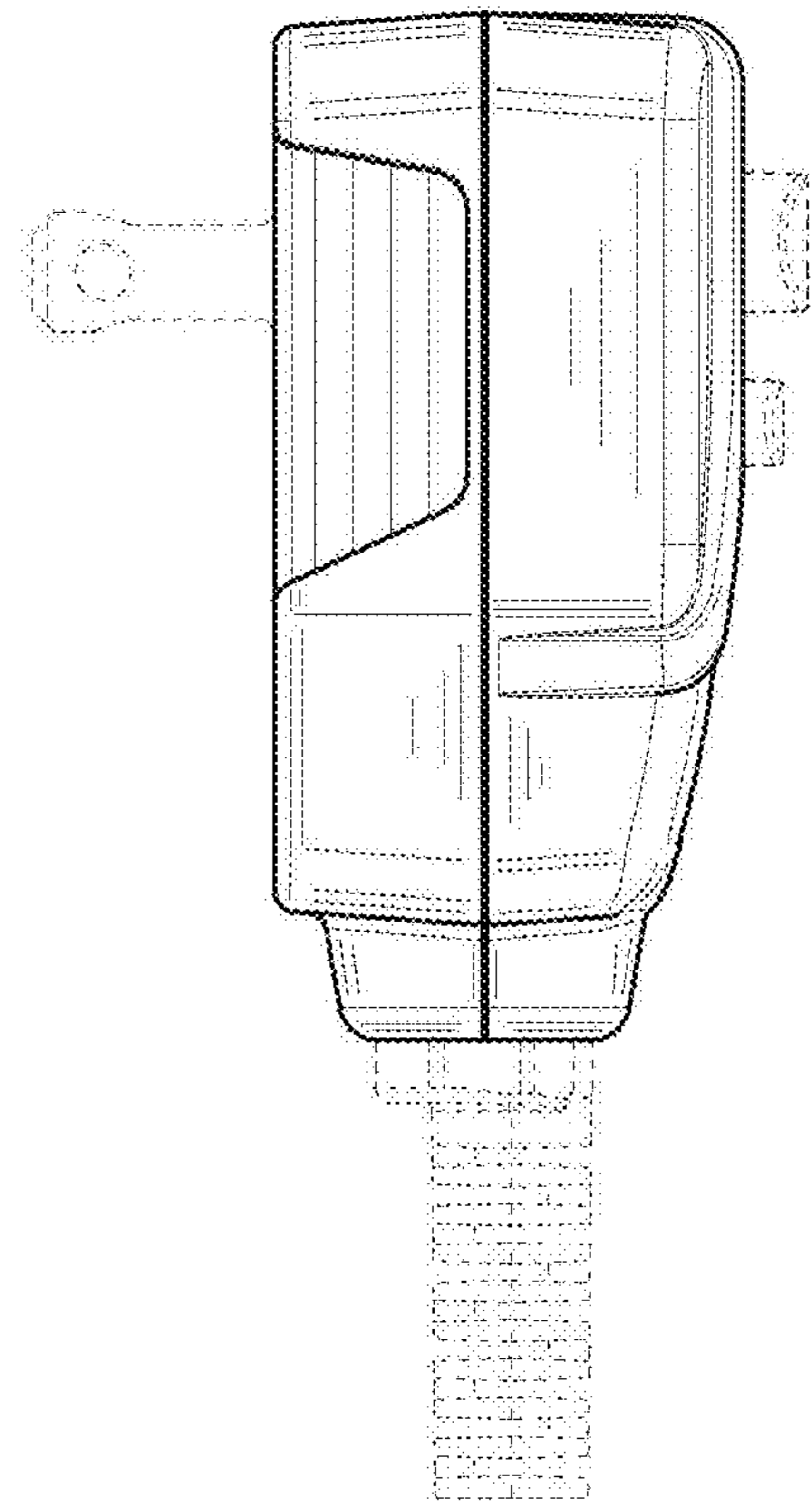


FIG. 4

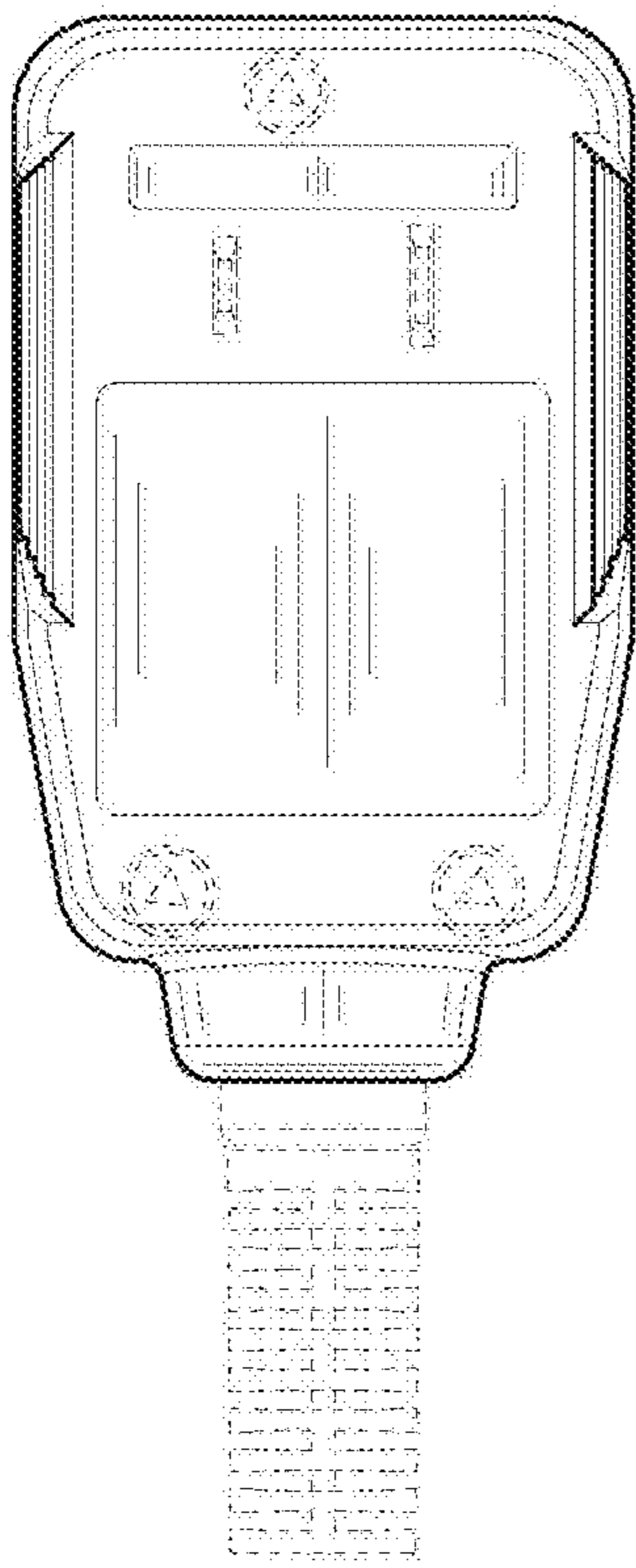


FIG. 5

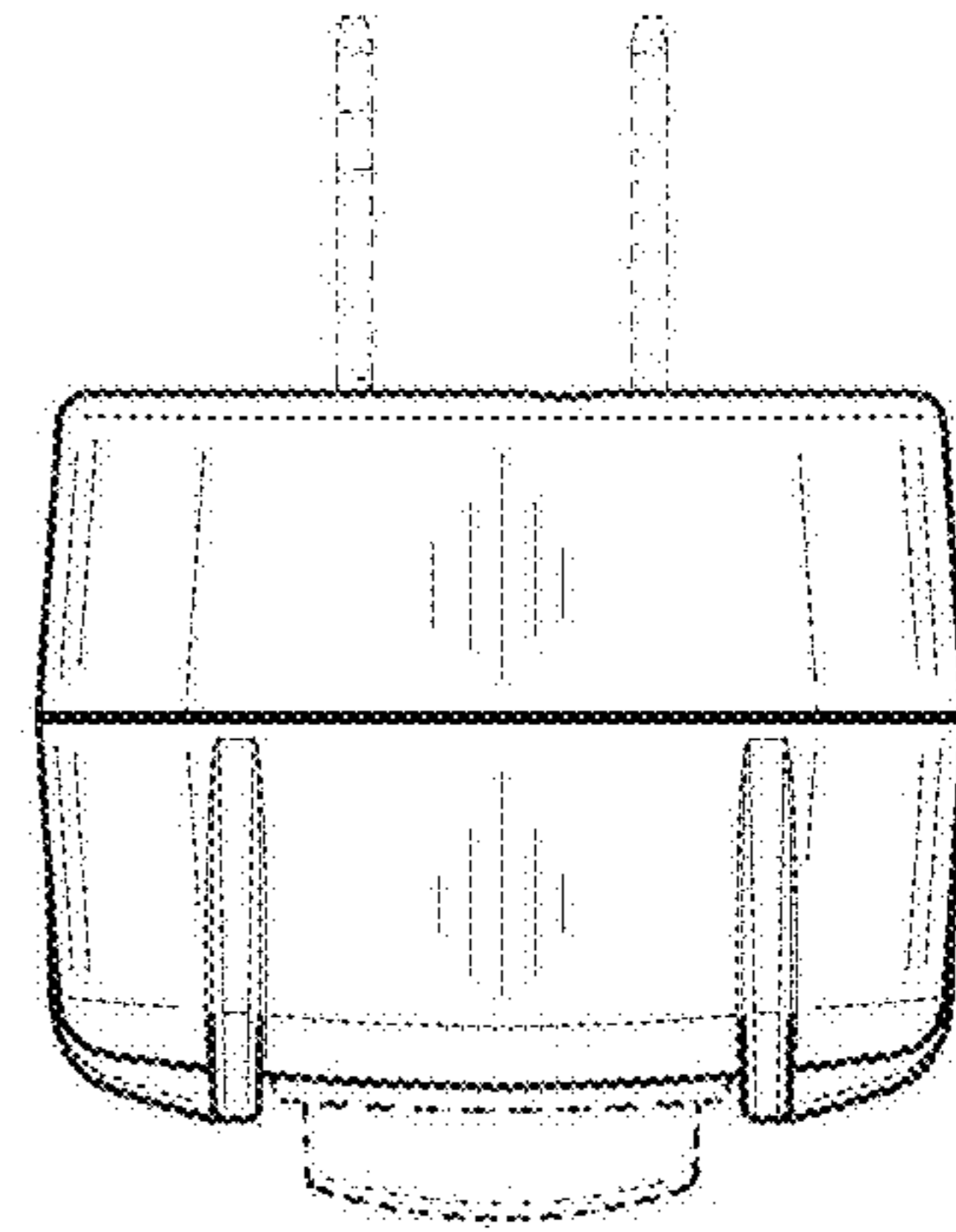


FIG. 6

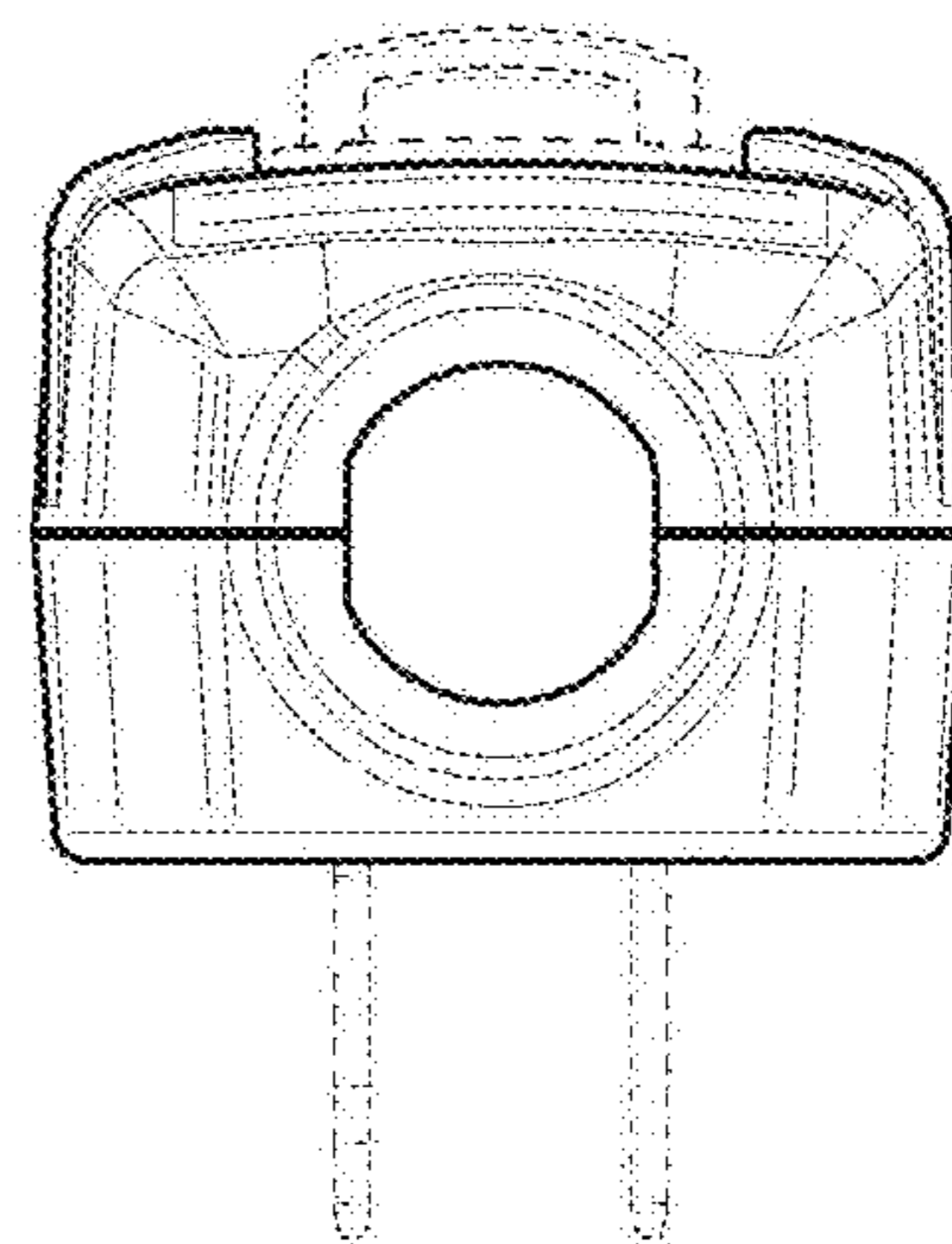


FIG. 7