



US00D891374S

(12) **United States Design Patent**
Yang et al.

(10) **Patent No.:** **US D891,374 S**

(45) **Date of Patent:** **** Jul. 28, 2020**

(54) **OUTDOOR OUTLET**

(71) Applicant: **ETEK CITY CORPORATION**,
Anaheim, CA (US)

(72) Inventors: **Lin Yang**, Shenzhen (CN); **Hai Yang**,
Shenzhen (CN)

(**) Term: **15 Years**

(21) Appl. No.: **29/661,560**

(22) Filed: **Aug. 29, 2018**

(51) **LOC (12) Cl.** **13-03**

(52) **U.S. Cl.**
USPC **D13/137.4**

(58) **Field of Classification Search**

USPC D13/103, 107, 108, 110, 118, 119, 123,
D13/133, 137.1–137.4, 138.1–138.2,
D13/139.1–139.8, 152–154, 184, 199
CPC H01R 25/00; H01R 25/006; H01R 13/00;
H01R 13/04; H01R 13/10; H01R
13/6666; H01R 13/6675; H01R 9/00;
H01R 11/00; H01H 2207/00; H01H
2207/022; H01H 2203/00; H02J 7/00;
H02J 7/0003; H02J 7/0011; H02J 7/0013;
H02J 7/0054; H02J 7/0055; H02J 7/0057;
H01M 2/02; H01M 2/022; H01M 2/0202;
H01M 2/0207; H01M 2/0212; H01M
2220/10; H01M 2220/20; Y02E 60/12;
Y02E 60/122; Y02E 60/124; Y02E 60/50;
Y02T 90/14; Y02T 90/122; Y02T 90/128;
Y02T 90/163

See application file for complete search history.

(56) **References Cited**

U.S. PATENT DOCUMENTS

D416,233 S * 11/1999 Tsai D13/147
D456,509 S * 4/2002 Schultz D13/153
D467,545 S * 12/2002 Wang D13/138.1

D485,239 S * 1/2004 Whalin D13/137.4
D558,769 S * 1/2008 Krieger D13/108
D599,800 S * 9/2009 Klein D14/433
D602,436 S * 10/2009 Wu D13/147
D613,249 S * 4/2010 Nagata D13/147
D628,537 S * 12/2010 Nagata D13/147
D673,110 S * 12/2012 Sasada D13/108
D714,731 S * 10/2014 Lee D13/147
D725,034 S * 3/2015 Chen D13/108
D737,760 S * 9/2015 Kyriakoulis D13/108
D740,749 S * 10/2015 Stewart D13/108
D755,790 S * 5/2016 Salvatori D14/433
D782,485 S * 3/2017 Cai D14/433
D796,435 S * 9/2017 Cho D13/108
D798,807 S * 10/2017 Shi D13/108
D820,786 S * 6/2018 Fawcett D13/133
D824,855 S * 8/2018 Eshelman D13/137.2
D850,372 S * 6/2019 Kong D13/108
D851,090 S * 6/2019 Tak D14/433

* cited by examiner

Primary Examiner — Rosemary K Tarcza

Assistant Examiner — Christy M Nemeth

(74) *Attorney, Agent, or Firm* — Tsz Lung Yeung

(57) **CLAIM**

The ornamental design for an outdoor outlet, as shown and described.

DESCRIPTION

FIG. 1 is a perspective view of an outdoor outlet showing our new design;

FIG. 2 is a front elevation view thereof;

FIG. 3 is a rear elevation view thereof;

FIG. 4 is a left side elevation view thereof;

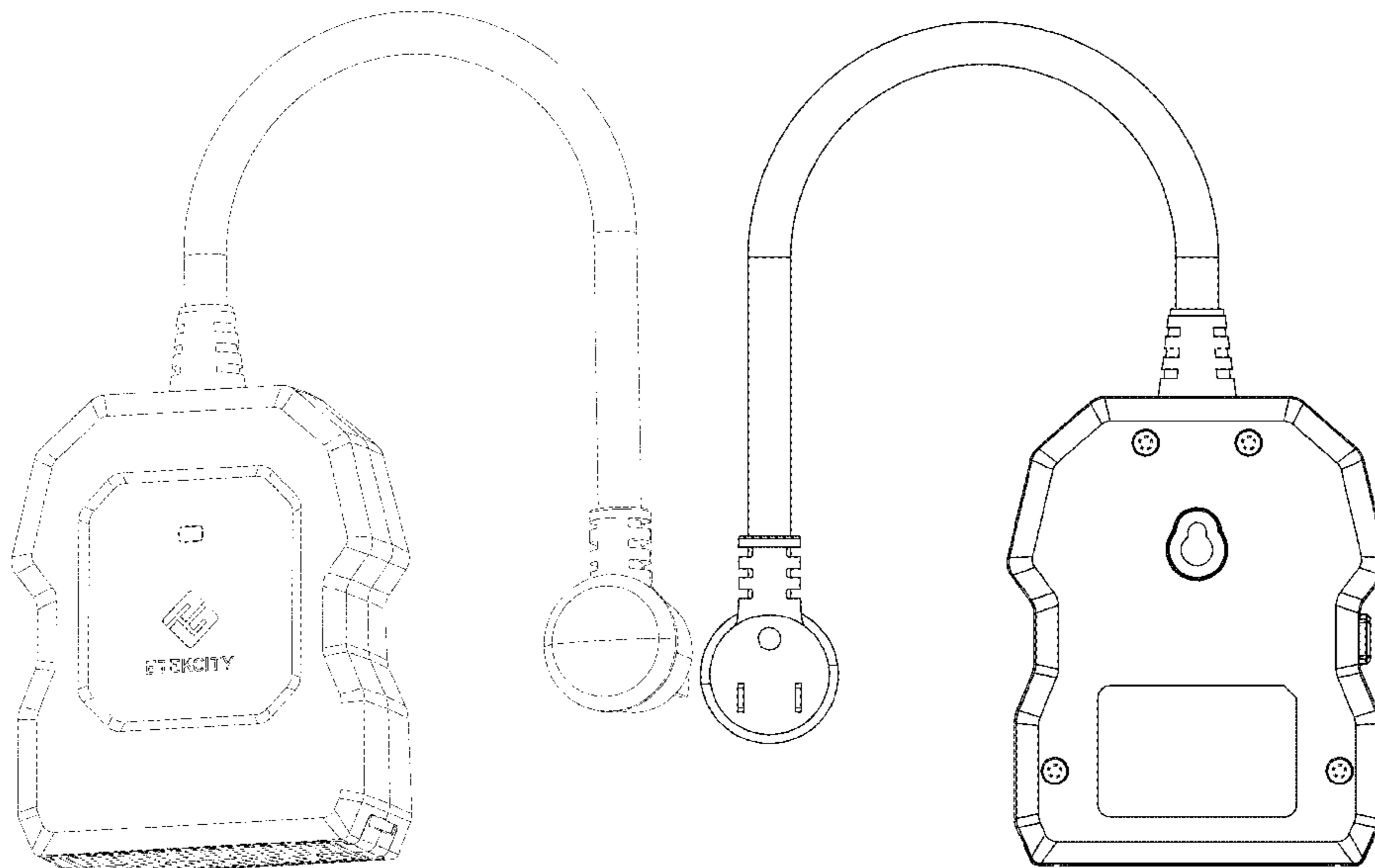
FIG. 5 is a right side elevation view thereof;

FIG. 6 is a top plan view thereof; and,

FIG. 7 is a bottom plan view thereof.

The broken lines depict portions of the outdoor outlet that form no part of the claimed design.

1 Claim, 7 Drawing Sheets



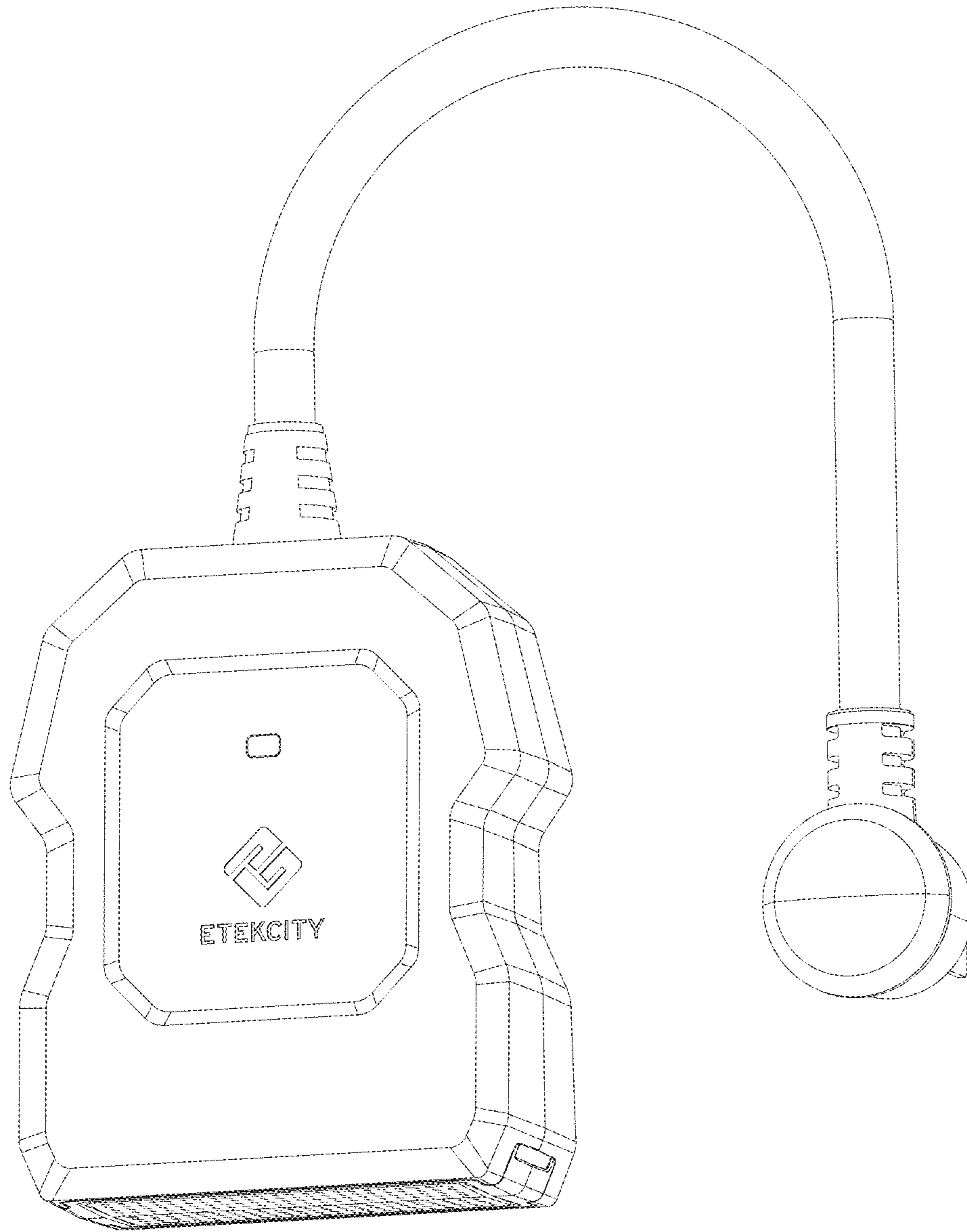


FIG. 1

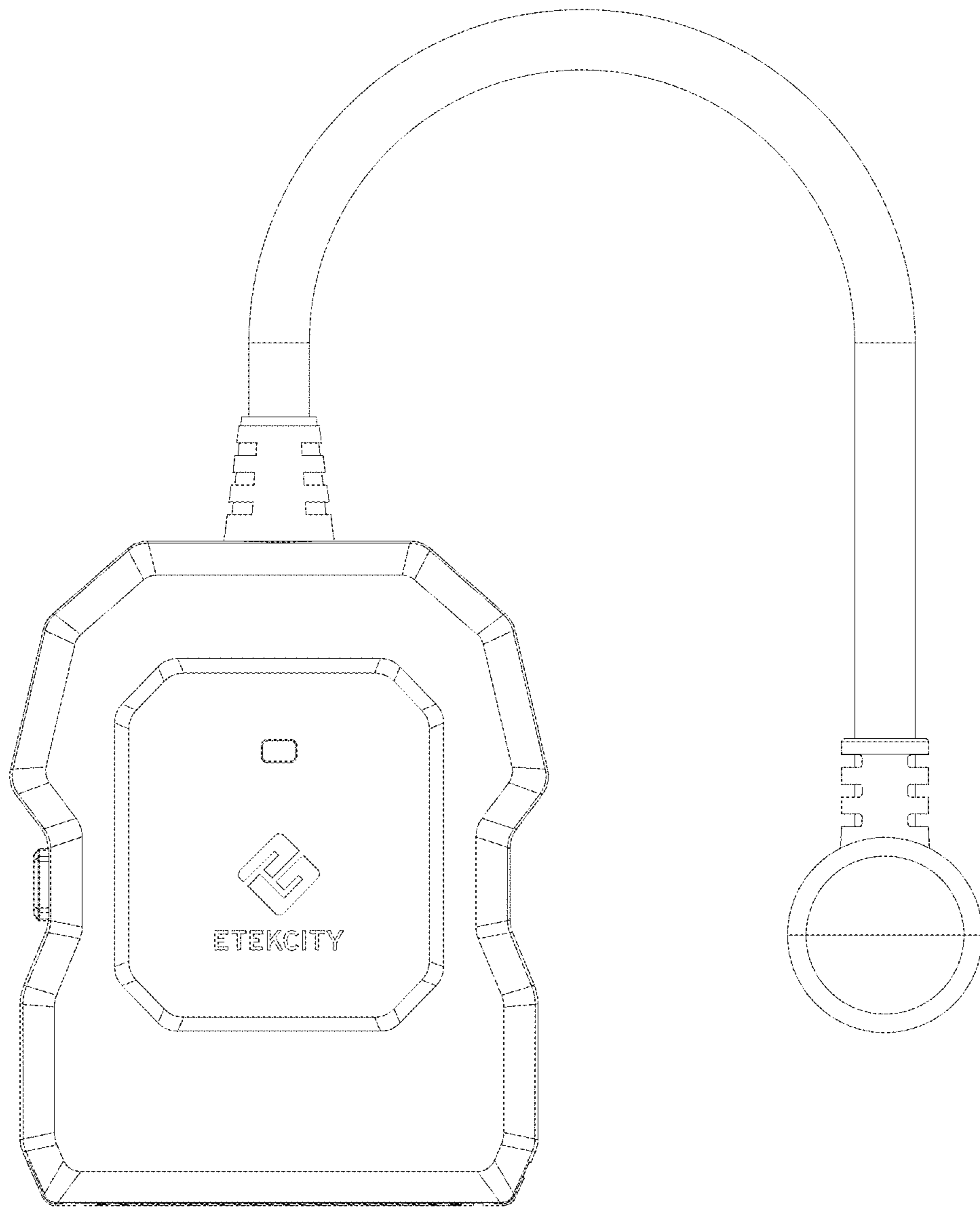


FIG. 2

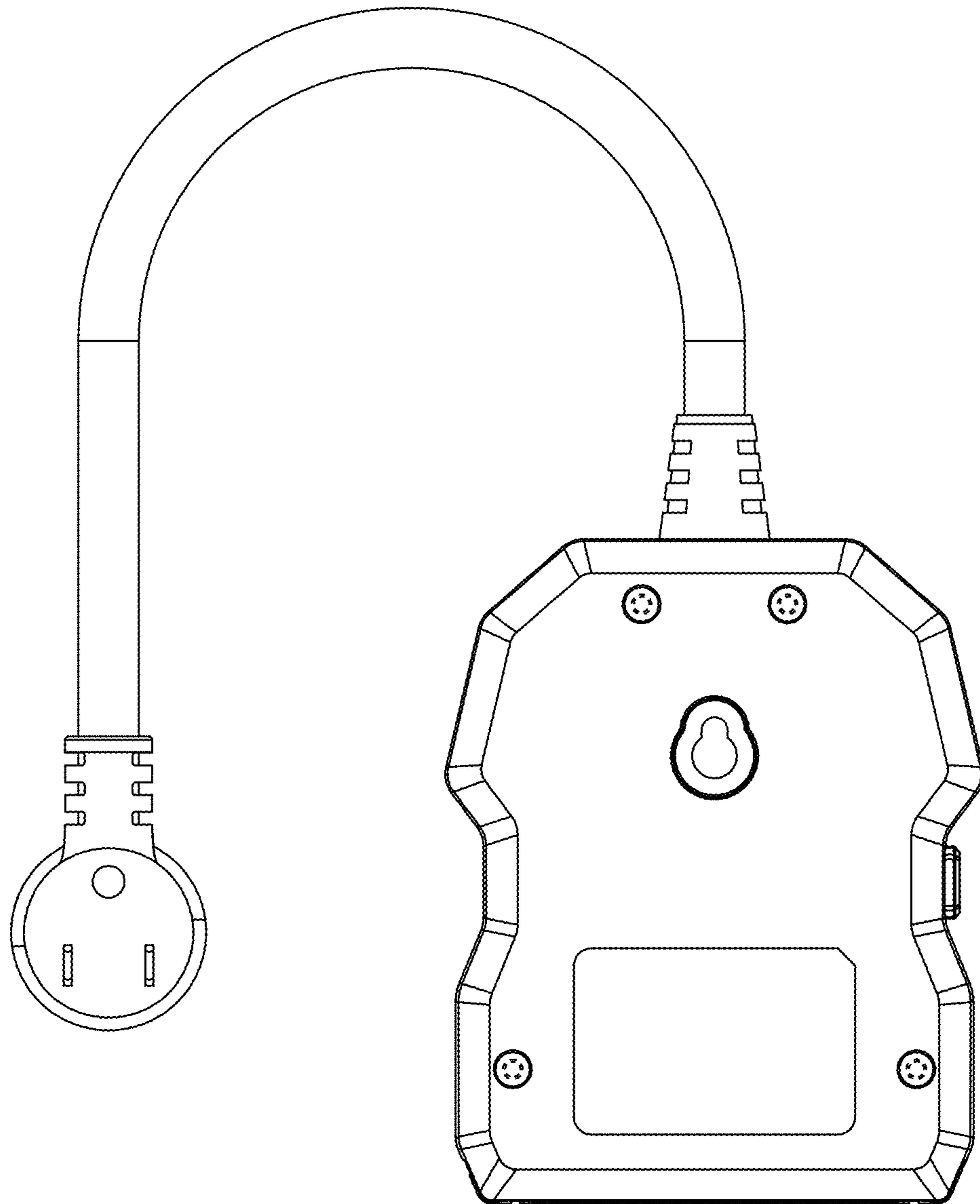


FIG.3

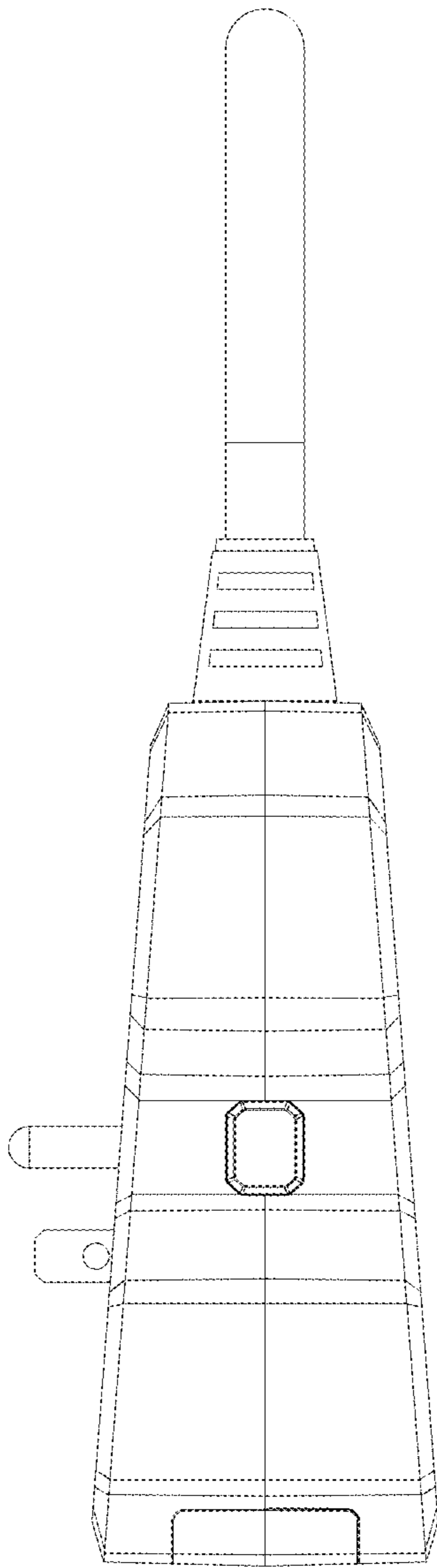


FIG. 4

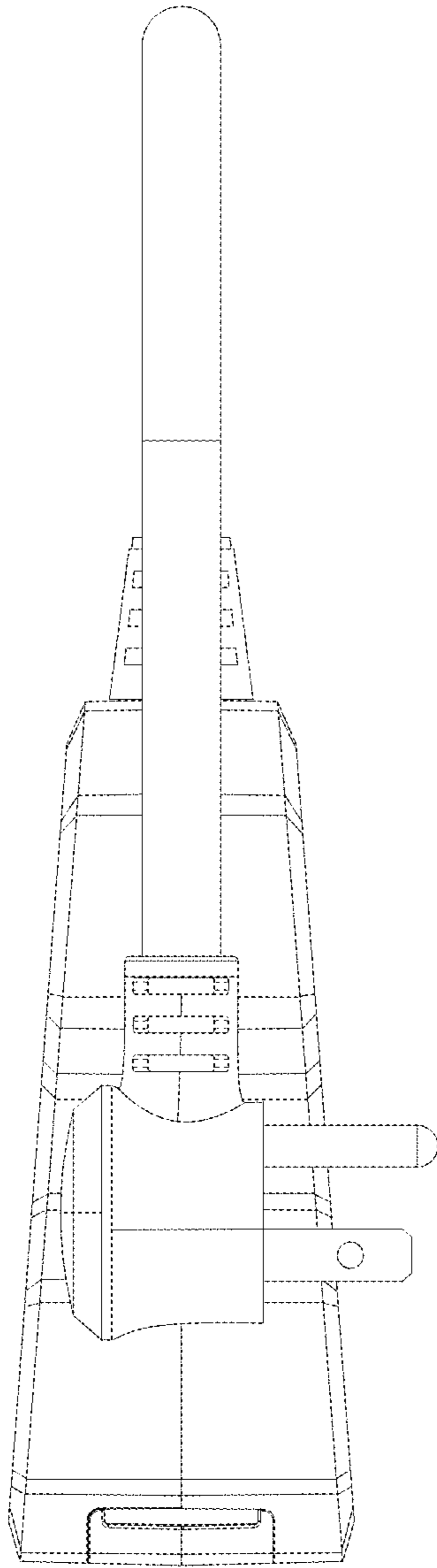


FIG.5

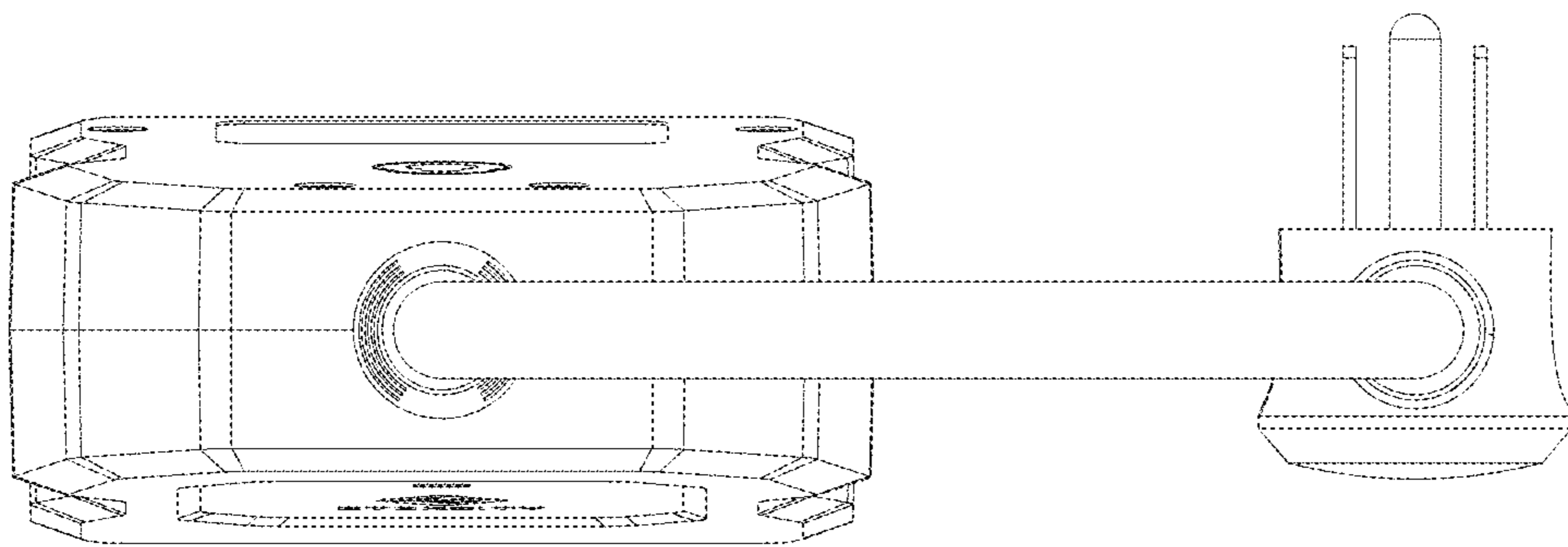


FIG. 6

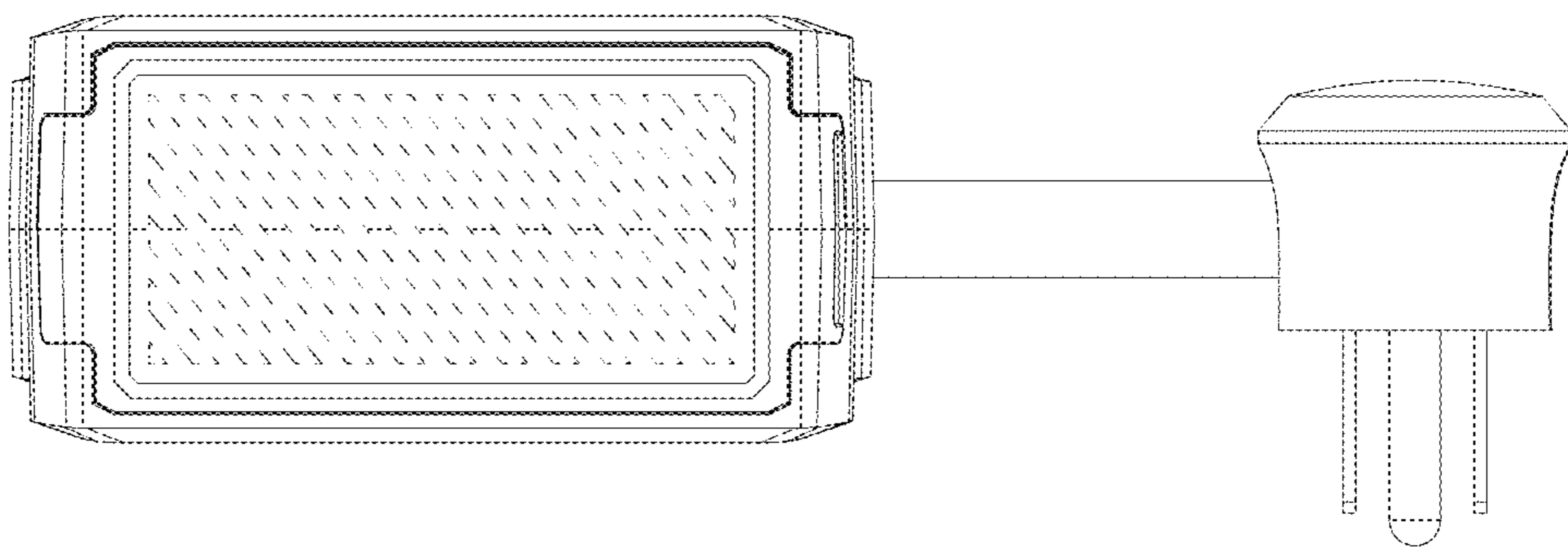


FIG. 7