

US00D891373S

(12) **United States Design Patent** (10) **Patent No.:** **US D891,373 S**
McCormick et al. (45) **Date of Patent:** **** Jul. 28, 2020**

(54) **AIR MOTOR**
(71) Applicant: **Graco Minnesota Inc.**, Minneapolis, MN (US)
(72) Inventors: **Martin P. McCormick**, Forest Lake, MN (US); **Benjamin J. Dauwalter**, Eden Prairie, MN (US); **Kenneth C. Floer**, Brooklyn Park, MN (US)
(73) Assignee: **Graco Minnesota Inc.**, Minneapolis, MN (US)
(**) Term: **15 Years**

D741,260 S * 10/2015 Yabuuchi D13/112
D753,591 S * 4/2016 Noda D13/112
D775,252 S * 12/2016 Shentu D15/149
D786,794 S * 5/2017 McCormick D13/112
9,822,642 B2 * 11/2017 Anderson F01C 21/06
D806,650 S * 1/2018 Chang D13/112
D809,459 S * 2/2018 Battistella D13/112
D810,784 S * 2/2018 Hong D15/1
D816,031 S * 4/2018 Sakai D13/112
D821,315 S * 6/2018 Ebner D13/112
D821,470 S * 6/2018 Ebner D15/148
D823,802 S * 7/2018 Battistella D13/112
D835,581 S * 12/2018 Mayor D13/112
D836,551 S * 12/2018 Kaneko D13/112
D842,246 S * 3/2019 Gan D13/112
D842,809 S * 3/2019 Sakai D13/112

(Continued)

(21) Appl. No.: **29/641,598**

(22) Filed: **Mar. 23, 2018**

(51) **LOC (12) Cl.** **13-02**

(52) **U.S. Cl.**
USPC **D13/122**

(58) **Field of Classification Search**
USPC D26/24, 59, 118, 119, 121, 122, 123, D26/124, 128, 129, 130, 131, 132, 133, D26/134, 135, 136, 137; D23/370, 377, D23/378, 379, 380, 381, 382; D13/112, D13/113, 114, 118, 122, 184, 199; D15/1, 5
CPC F04D 25/088; F04D 29/38; F21V 21/03; B63H 1/16; H02K 5/06; H02K 5/22; H02K 5/225; H02K 11/33; H02K 9/06; H02K 9/12; H02K 9/14; H02K 9/18; H02K 9/20

See application file for complete search history.

(56) **References Cited**

U.S. PATENT DOCUMENTS

D589,138 S * 3/2009 Kenyon A61M 16/0057 D24/110
D709,450 S * 7/2014 Tanabe D13/112
D716,227 S * 10/2014 Lau D13/112
D722,560 S * 2/2015 Lau D13/112

OTHER PUBLICATIONS

Graco NXT Air Motor Instructions/Parts Manual, revised Oct., 2014.

Primary Examiner — Susan Bennett Hattan

Assistant Examiner — Suzanne E Tisdell

(74) *Attorney, Agent, or Firm* — Kyle Liudahl

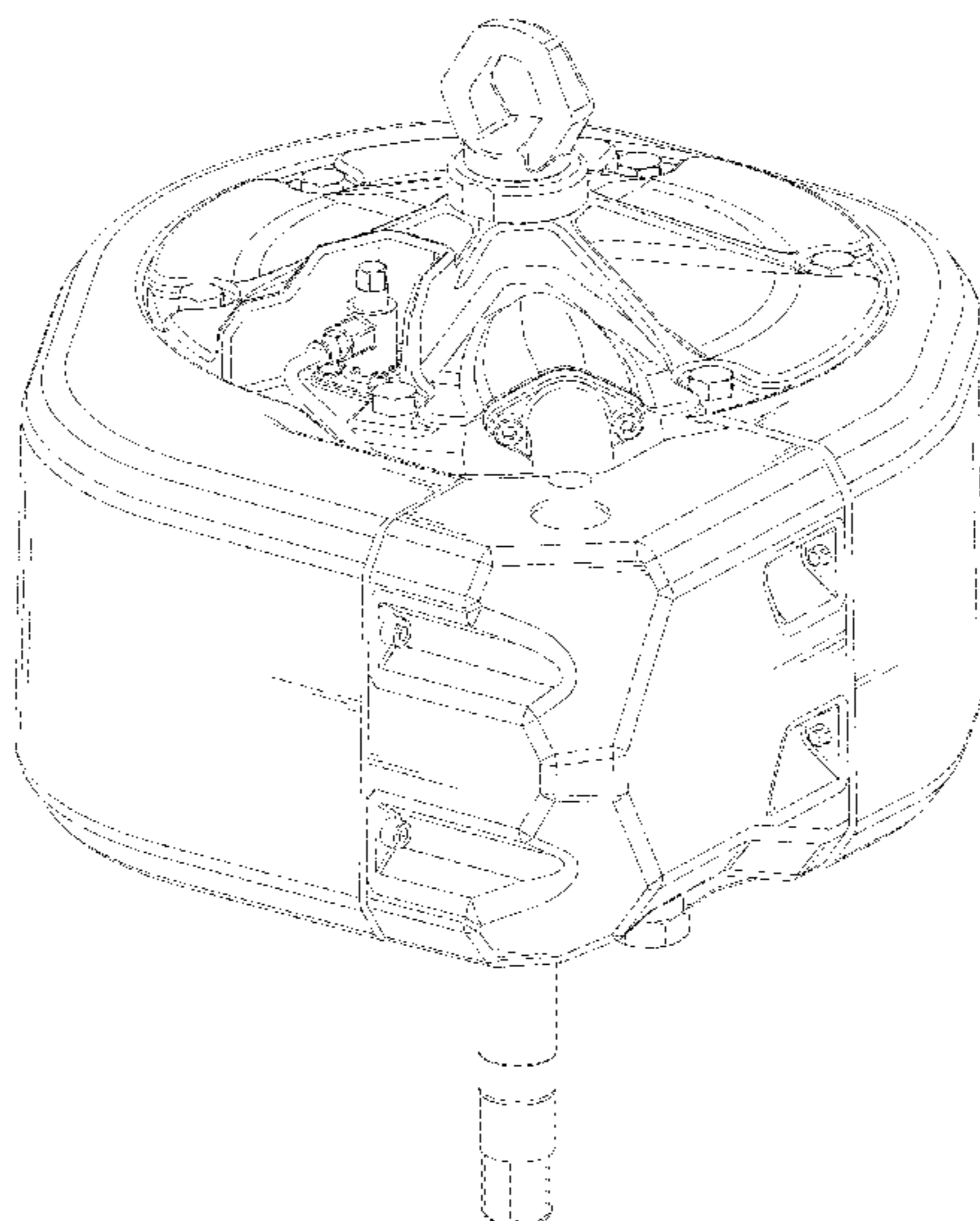
(57) **CLAIM**

The ornamental design for an air motor, as shown and described.

DESCRIPTION

FIG. 1 is a front isometric view of an air motor showing our new design;
FIG. 2 is a front view;
FIG. 3 is a back view;
FIG. 4 is a top view;
FIG. 5 is a bottom view;
FIG. 6 is a left side view; and,
FIG. 7 is a right side view.
Broken lines in the figures depict portions of the air motor that form no part of the claimed design.

1 Claim, 7 Drawing Sheets



(56)

References Cited

U.S. PATENT DOCUMENTS

D853,445	S	*	7/2019	Kuratani	D15/1
D853,963	S	*	7/2019	Hilker	D13/112
D853,964	S	*	7/2019	Tanabe	D13/112
D856,279	S	*	8/2019	Chen	D13/112
D857,628	S	*	8/2019	Chen	D13/112
D860,942	S	*	9/2019	Hilker	D13/112
10,458,418	B2	*	10/2019	Yamamoto	F04D 29/601
D868,956	S	*	12/2019	Guthrie	D23/411
D871,335	S	*	12/2019	Hilker	D13/112
10,527,045	B2	*	1/2020	Hornig	H02K 11/33
D876,355	S	*	2/2020	Cai	D13/122
D877,314	S	*	3/2020	Holmes	D23/411
D877,882	S	*	3/2020	Holmes	D23/411

* cited by examiner

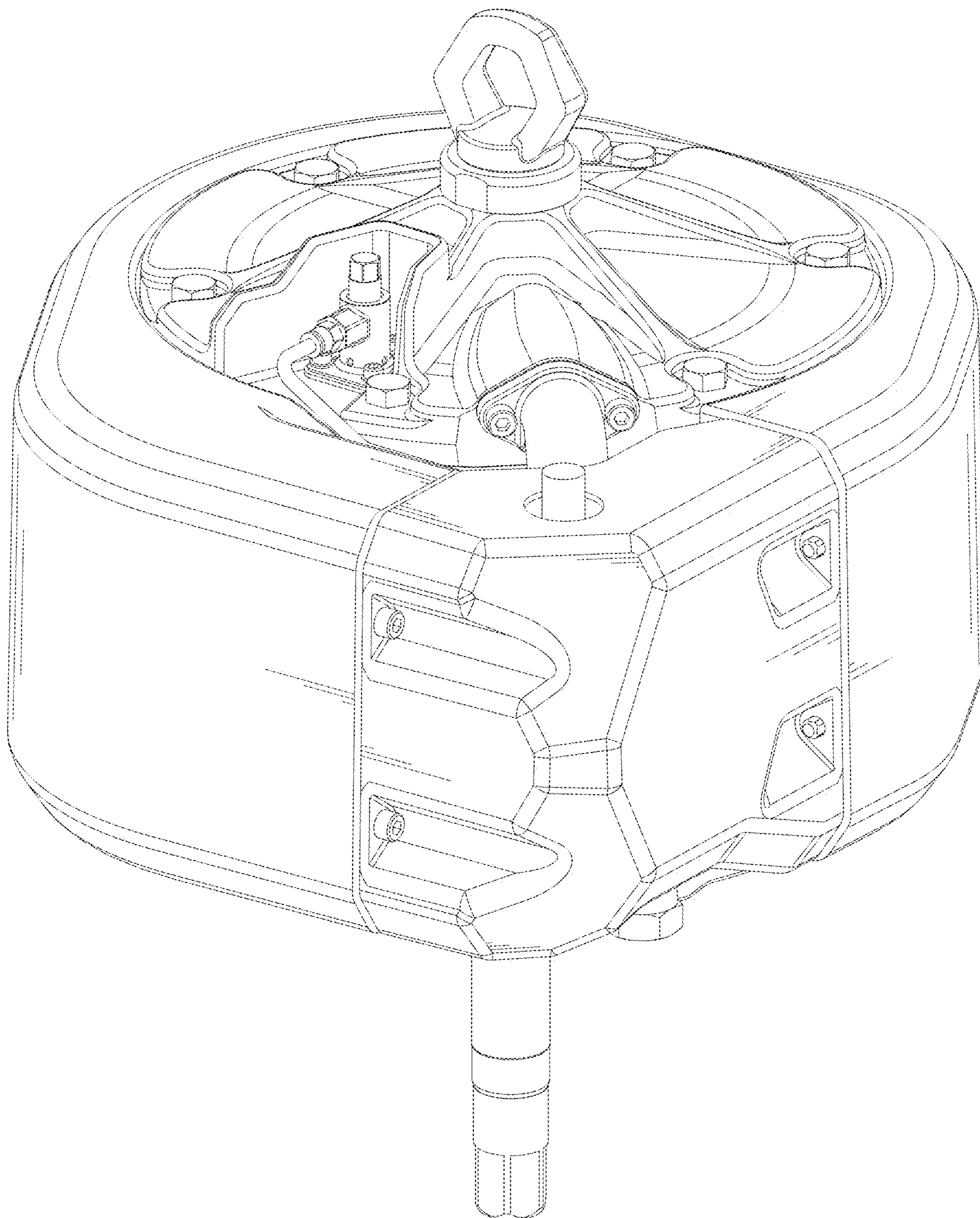


FIG. 1

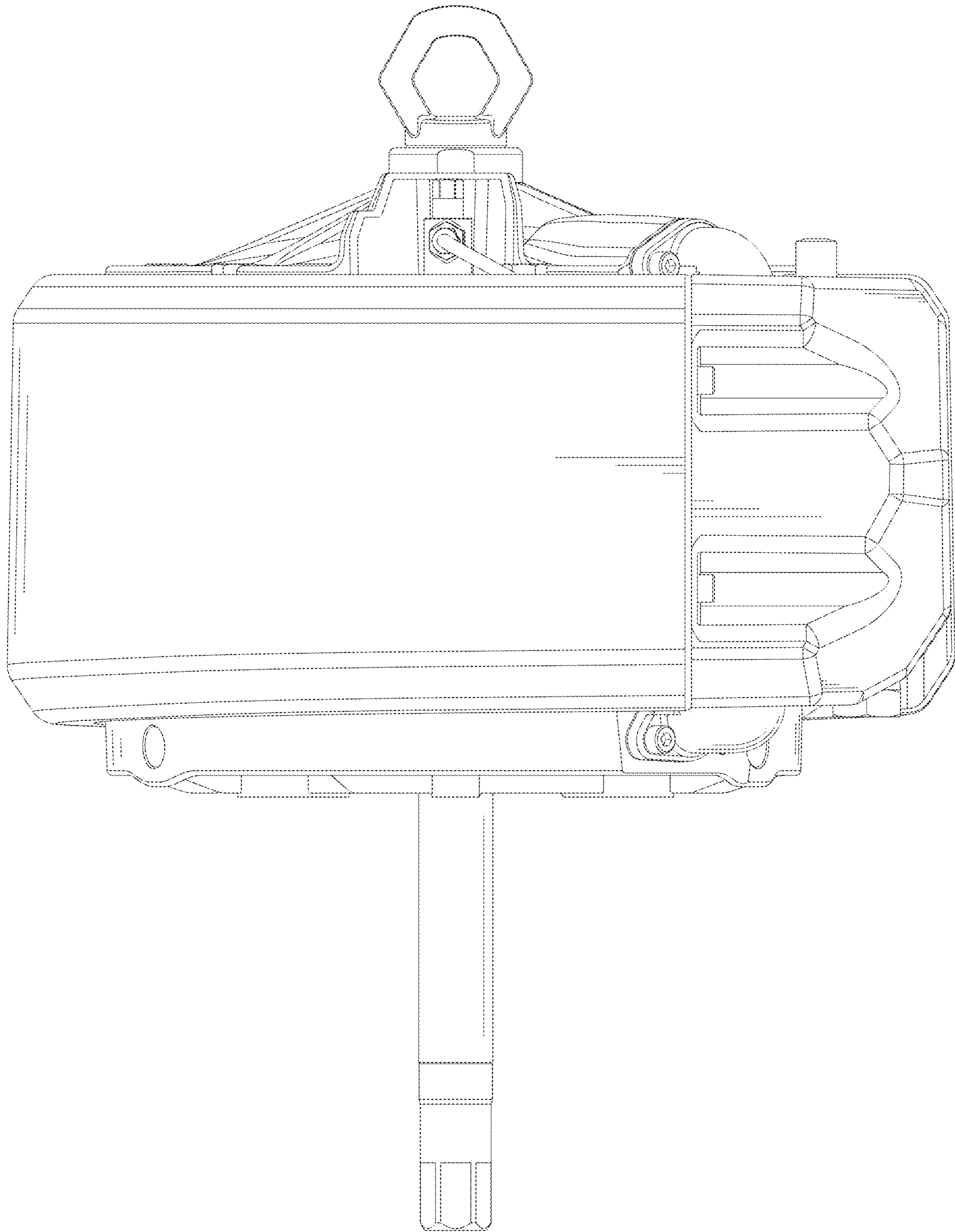


FIG. 2

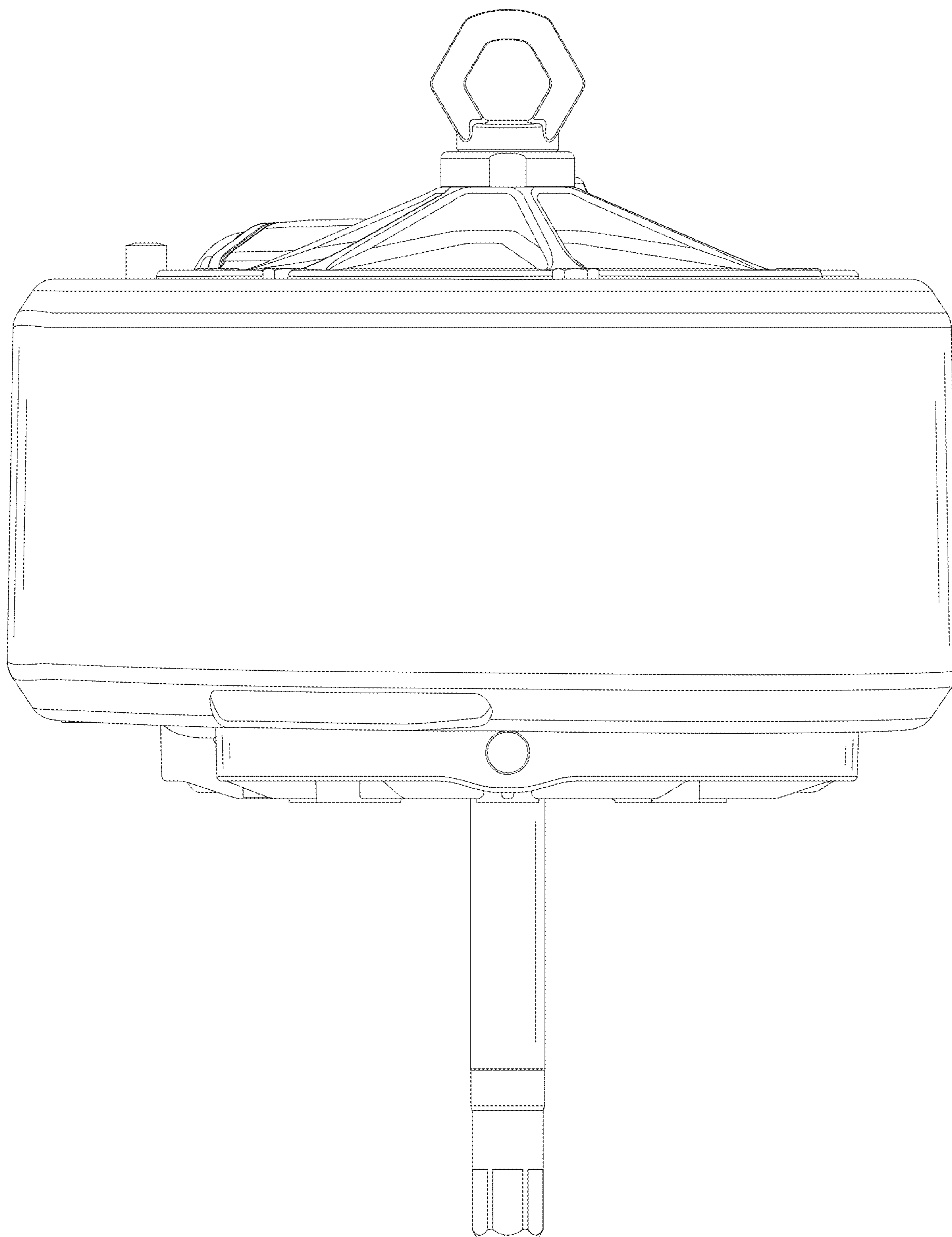


FIG. 3

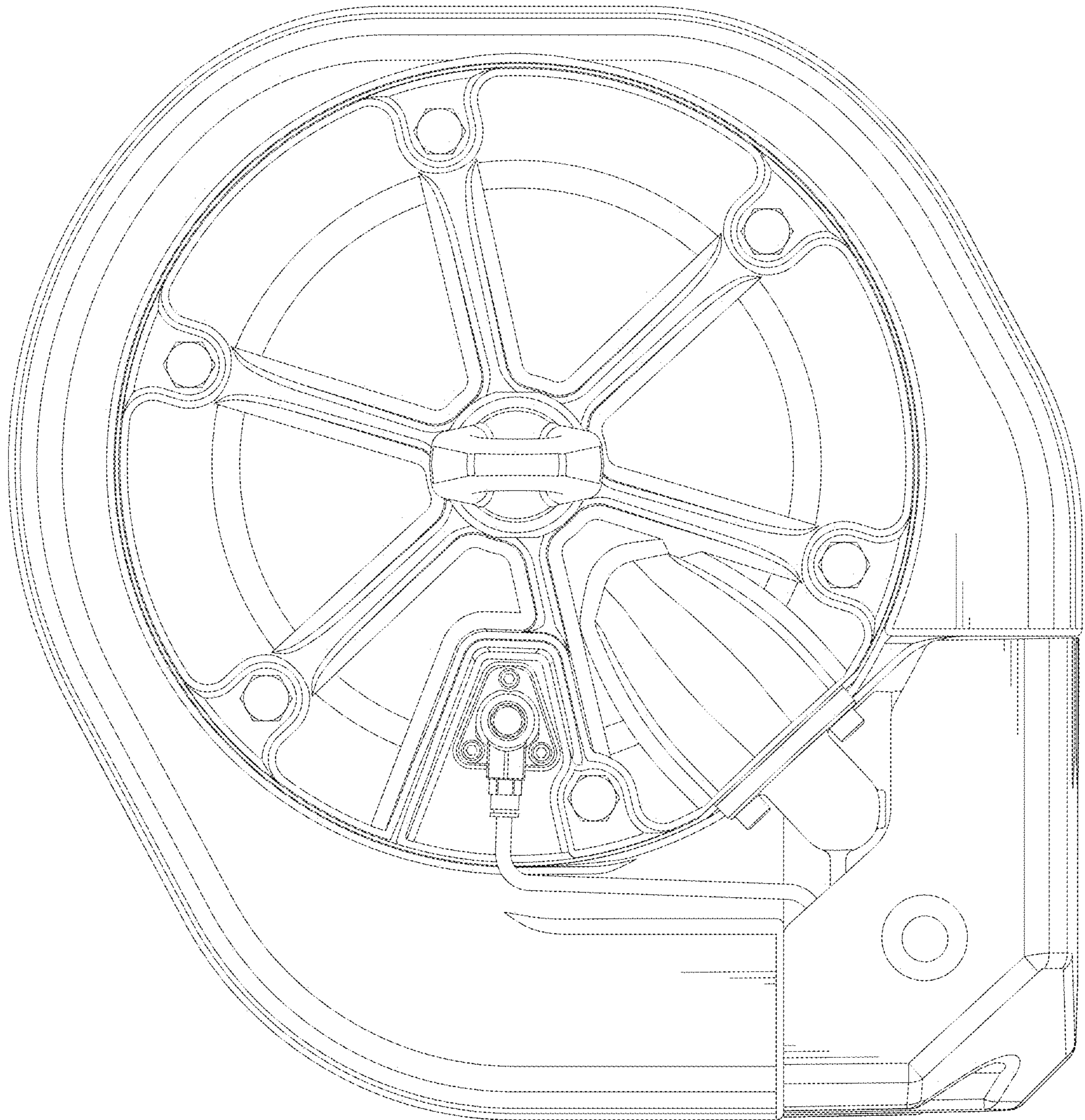


FIG. 4

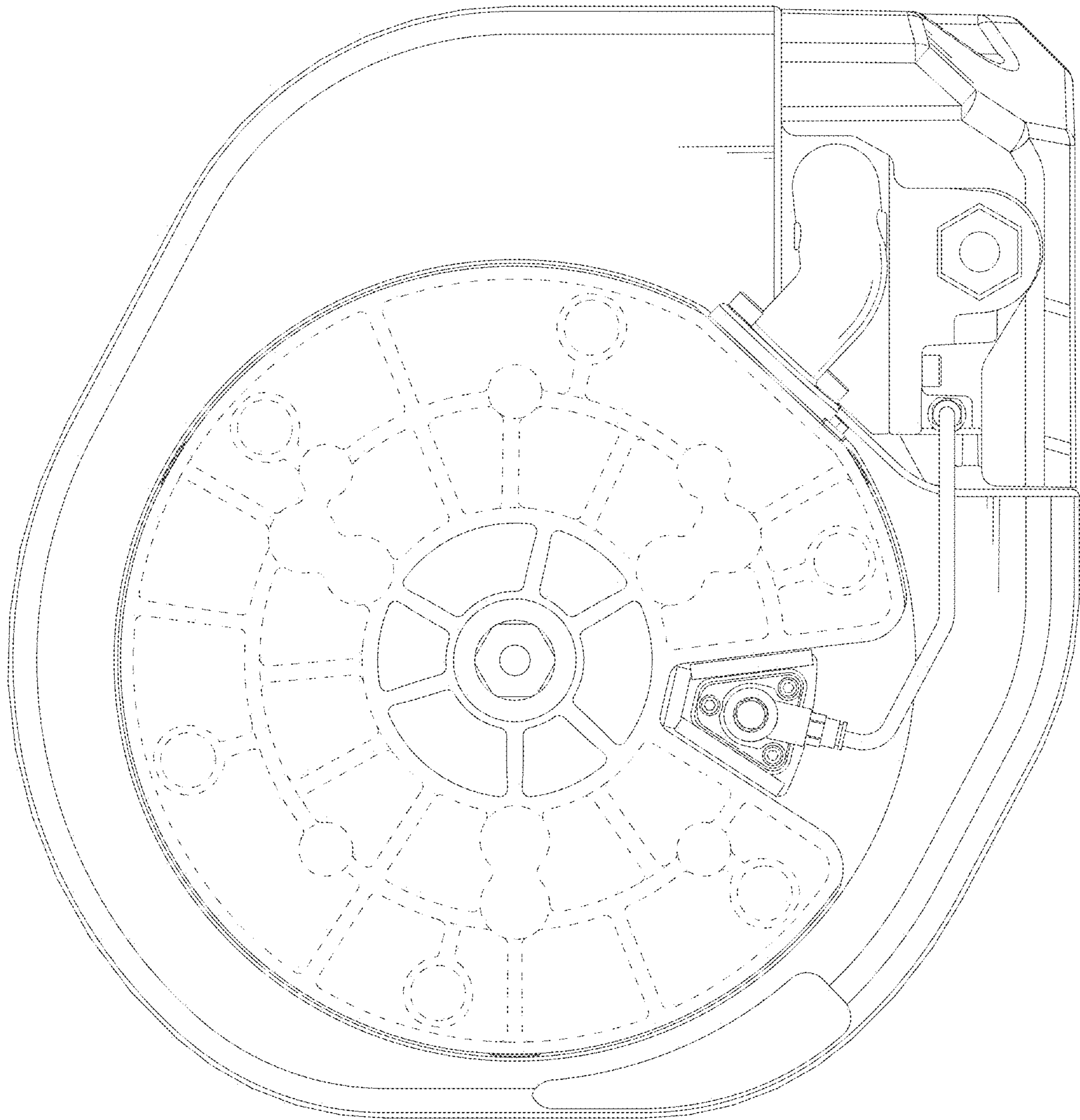


FIG. 5

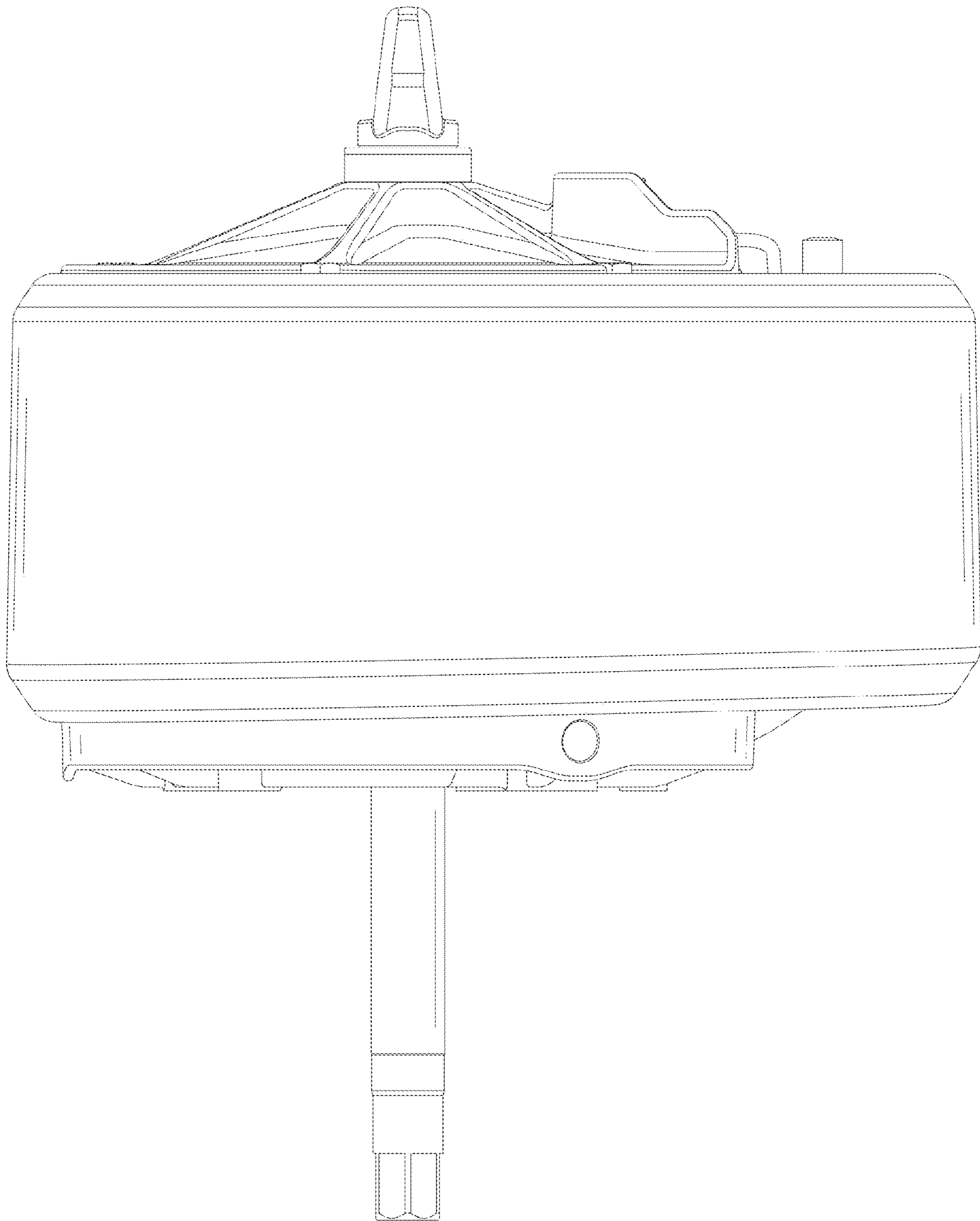


FIG. 6

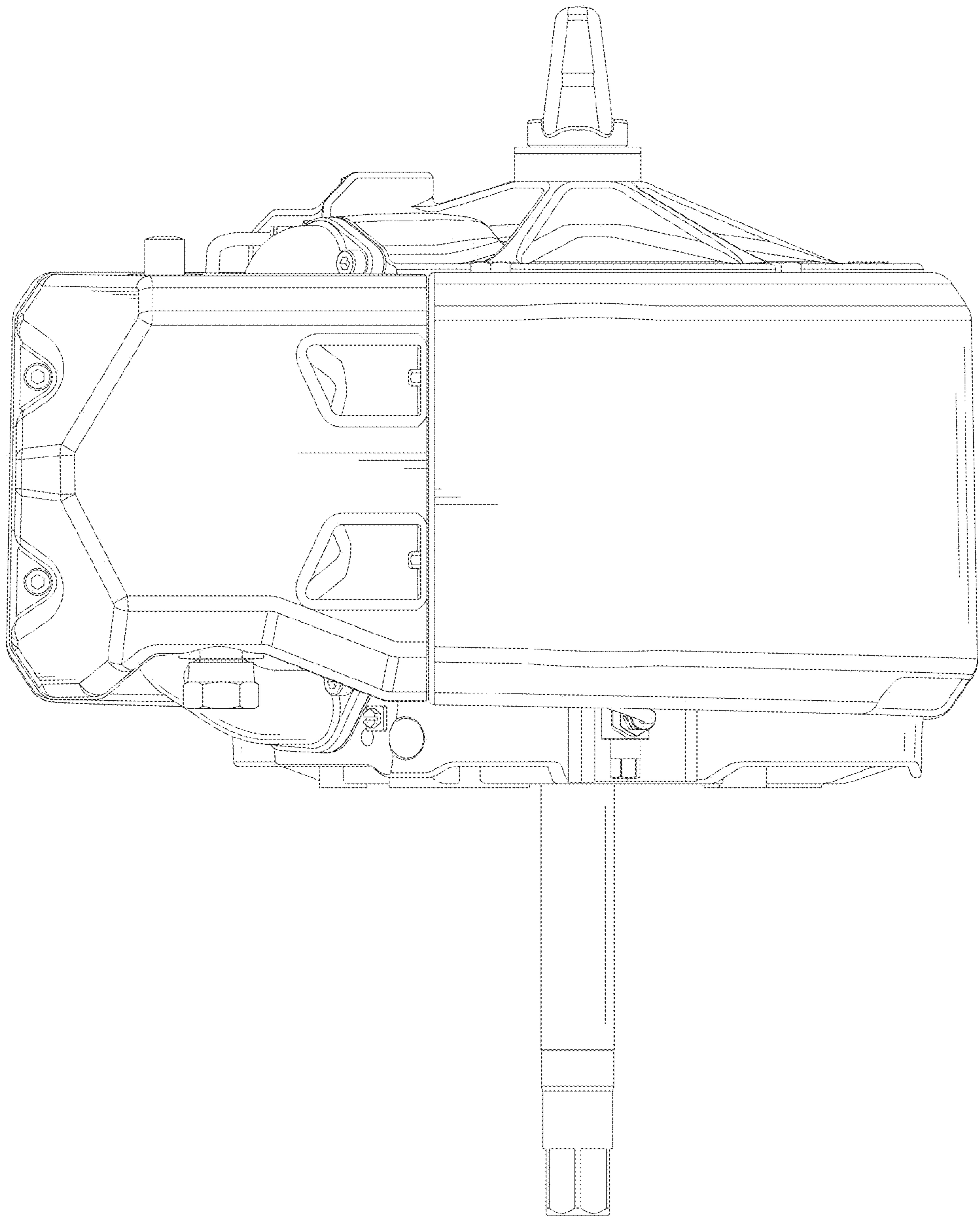


FIG. 7