



US00D891372S

(12) **United States Design Patent**
Chang et al.

(10) **Patent No.:** **US D891,372 S**
(45) **Date of Patent:** **** Jul. 28, 2020**

(54) **EXPLOSION-PROOF FASTENING ELEMENT FOR LITHIUM BATTERY**

(71) Applicant: **Cheng Uei Precision Industry Co., Ltd.**, New Taipei (TW)

(72) Inventors: **Gen-Yuan Chang**, New Taipei (TW);
Jen-Kai Huang, New Taipei (TW)

(73) Assignee: **CHENG UEI PRECISION INDUSTRY CO., LTD.**, New Taipei (TW)

(**) Term: **15 Years**

(21) Appl. No.: **29/663,765**

(22) Filed: **Sep. 18, 2018**

(51) **LOC (12) Cl.** **13-02**

(52) **U.S. Cl.**
USPC **D13/119**

(58) **Field of Classification Search**

USPC D13/118, 119, 154, 147, 174, 178, 179, D13/182, 199; D8/88, 300, 308, 309, D8/311, 312, 320, 341, 343, 356, 394, D8/396, 397; D12/179; D15/5, 28; 74/469, 470, 473.12, 473.25, 485, 488, 74/490.14, 532; 292/199, 200, 201, 236
CPC H01H 9/283; H05K 7/1409; H01R 9/093; H01R 9/24; H01R 9/26; H01R 13/701; H01R 13/62933; H01R 12/00; H01R 12/75; H01R 12/721; H01R 12/7005; H02G 3/32; H02G 3/0406; H02G 3/0437; H02G 3/0431; F16L 3/24; F16L 3/243; F16L 3/2235; H01M 2/1083; H01M 2/305; B60L 50/66

See application file for complete search history.

(56) **References Cited**

U.S. PATENT DOCUMENTS

D30,898 S * 5/1899 Paine D8/397
1,245,362 A * 11/1917 Lynch F16B 39/32
411/326
4,907,930 A * 3/1990 Peterson F16B 37/00
411/427
D738,201 S * 9/2015 Fujita D8/397
D768,473 S * 10/2016 Manwaring D23/262

* cited by examiner

Primary Examiner — Derrick E Holland

(74) *Attorney, Agent, or Firm* — Cheng-Ju Chiang

(57) **CLAIM**

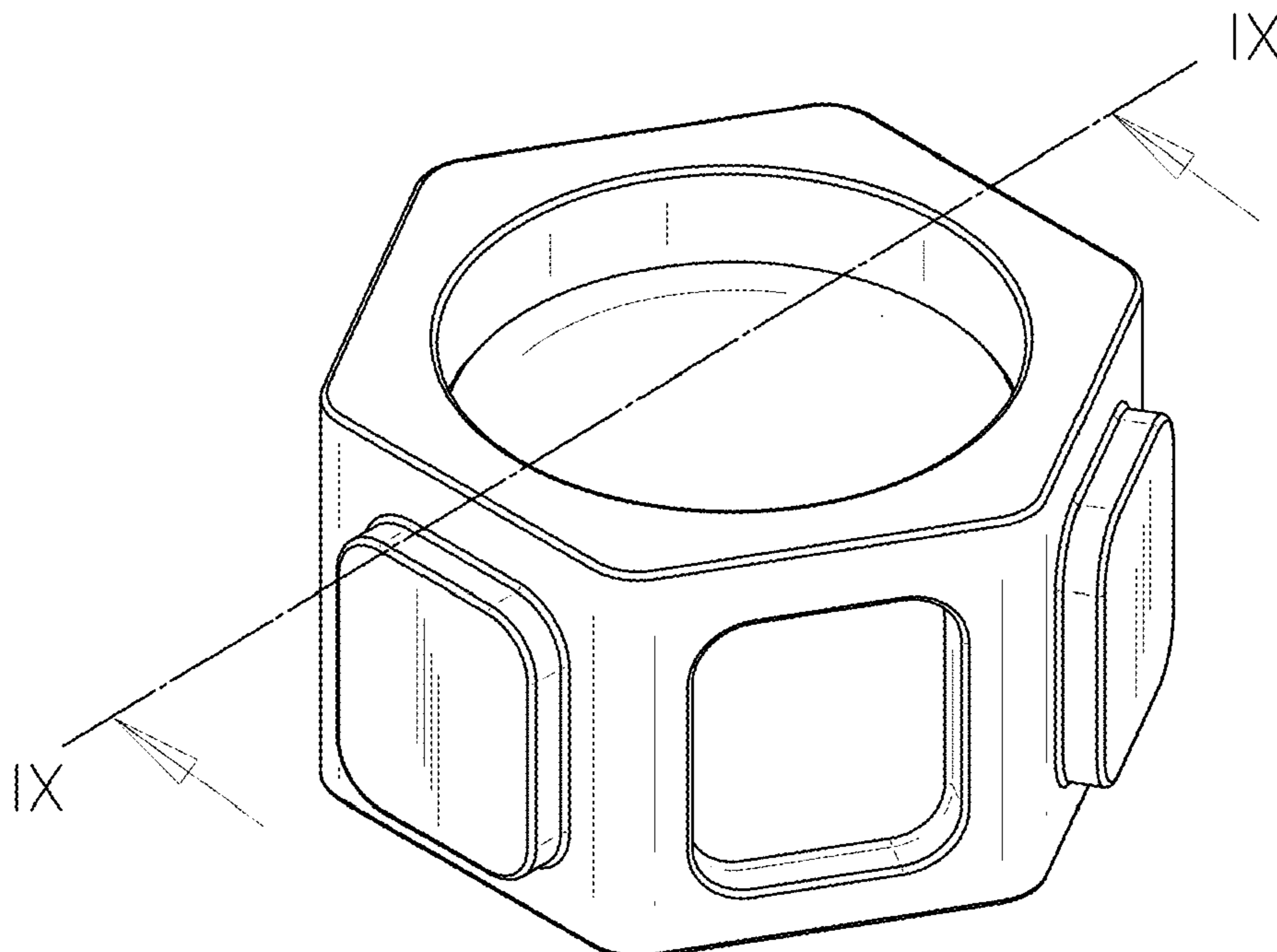
The ornamental design for an explosion-proof fastening element for lithium battery, as shown and described.

DESCRIPTION

FIG. 1 is a perspective view of an explosion-proof fastening element for lithium battery showing our new design; FIG. 2 is a front elevational view thereof; FIG. 3 is a rear elevational view thereof; FIG. 4 is a left side elevational view thereof; FIG. 5 is a right side elevational view thereof; FIG. 6 is a top plan view thereof; FIG. 7 is a bottom plan view thereof; FIG. 8 is an exploded view thereof; and, FIG. 9 is a cross-sectional view taken along line IX-IX of FIG. 1.

The dot-dash broken lines shown in FIG. 1 represent the designation sight line for the cross-sectional view FIG. 9 and form no part of the claimed design.

1 Claim, 9 Drawing Sheets



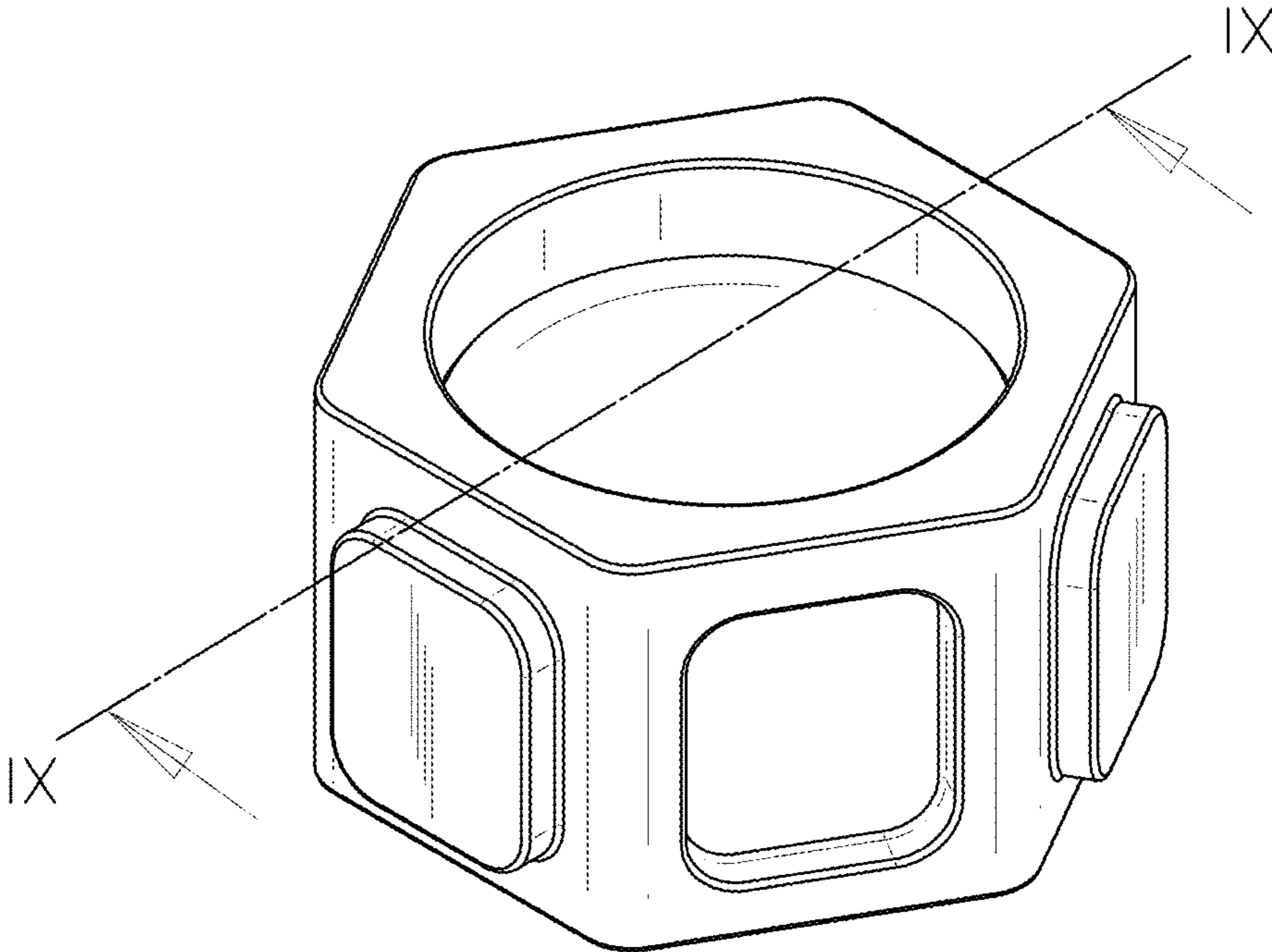


FIG. 1

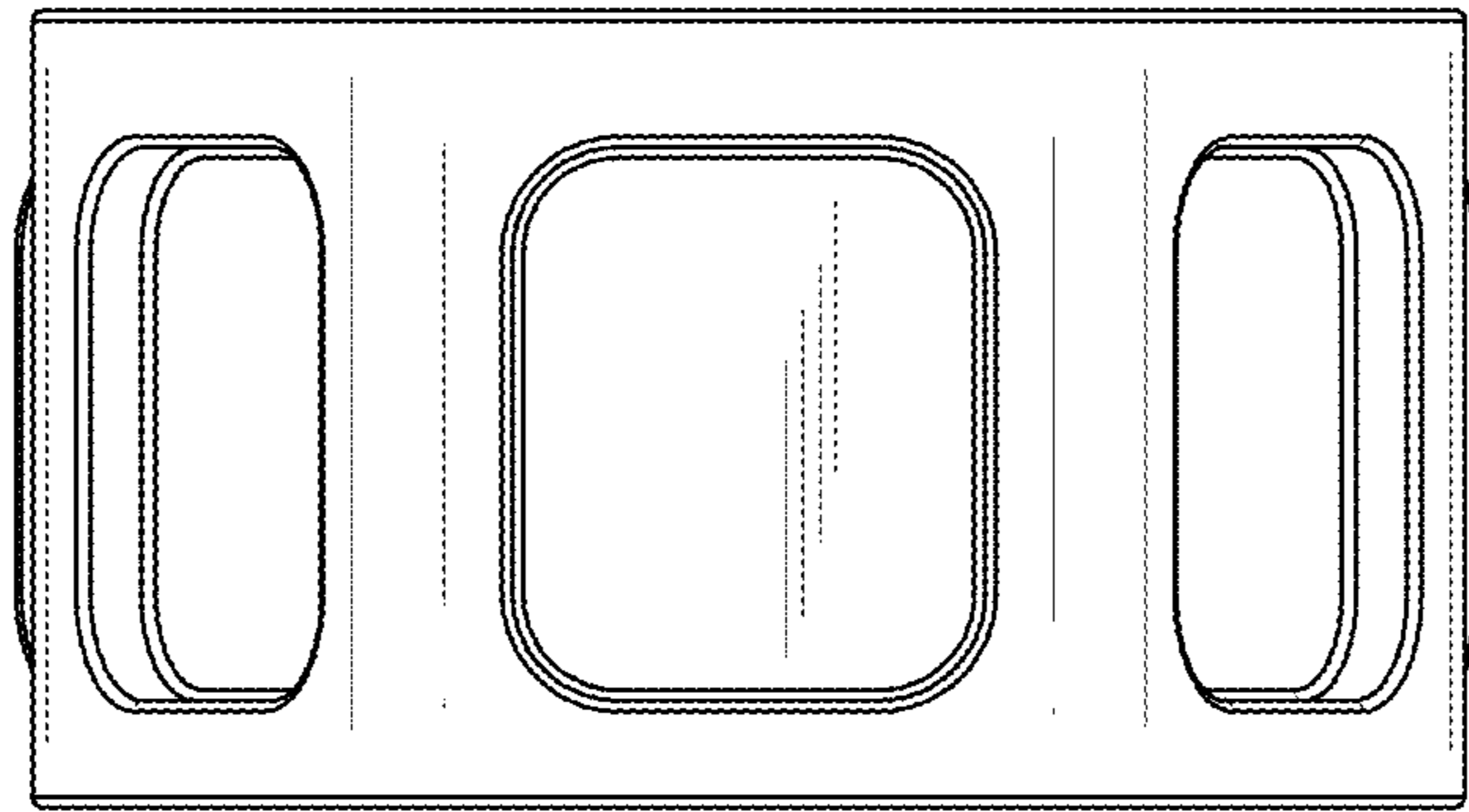


FIG. 2

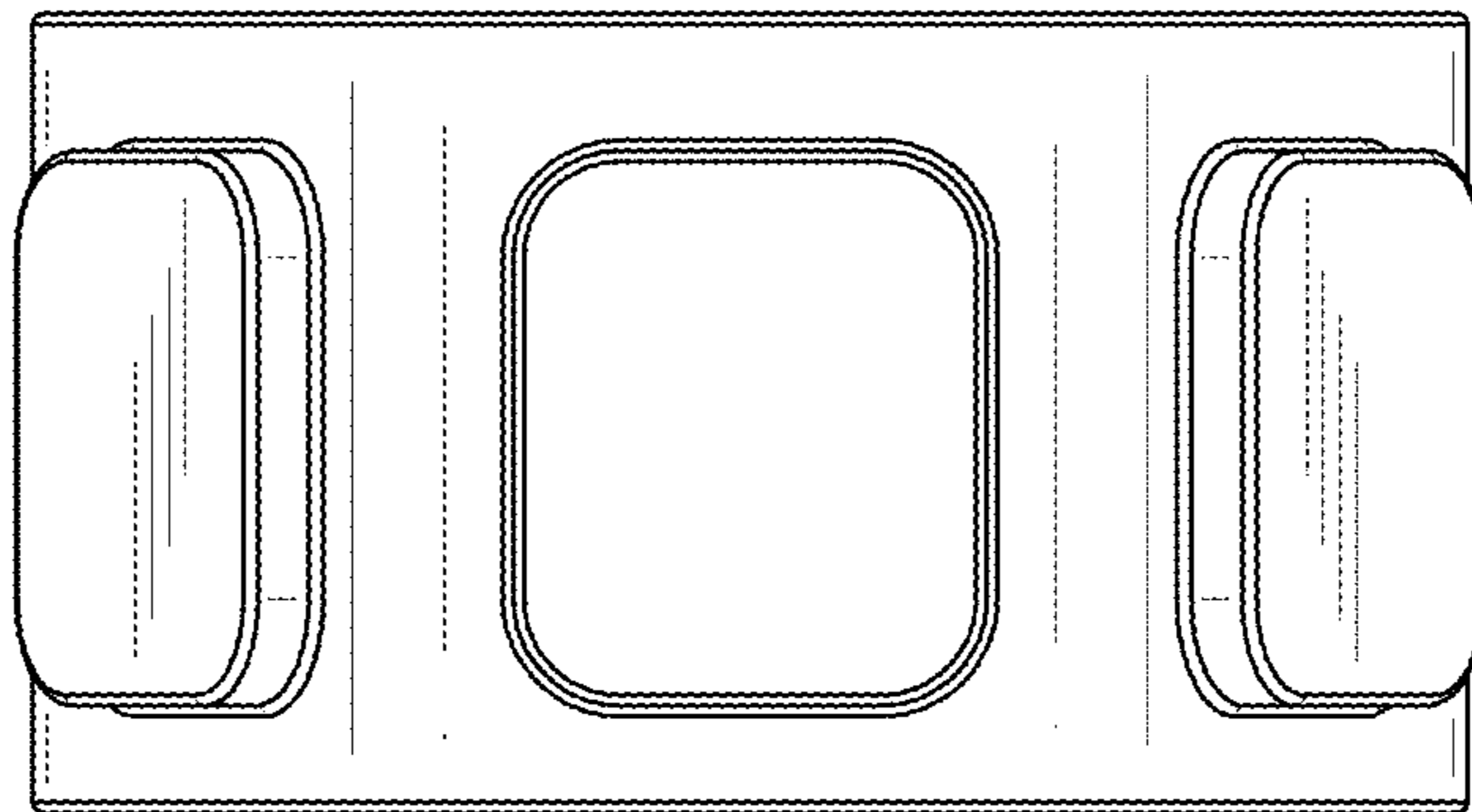


FIG. 3

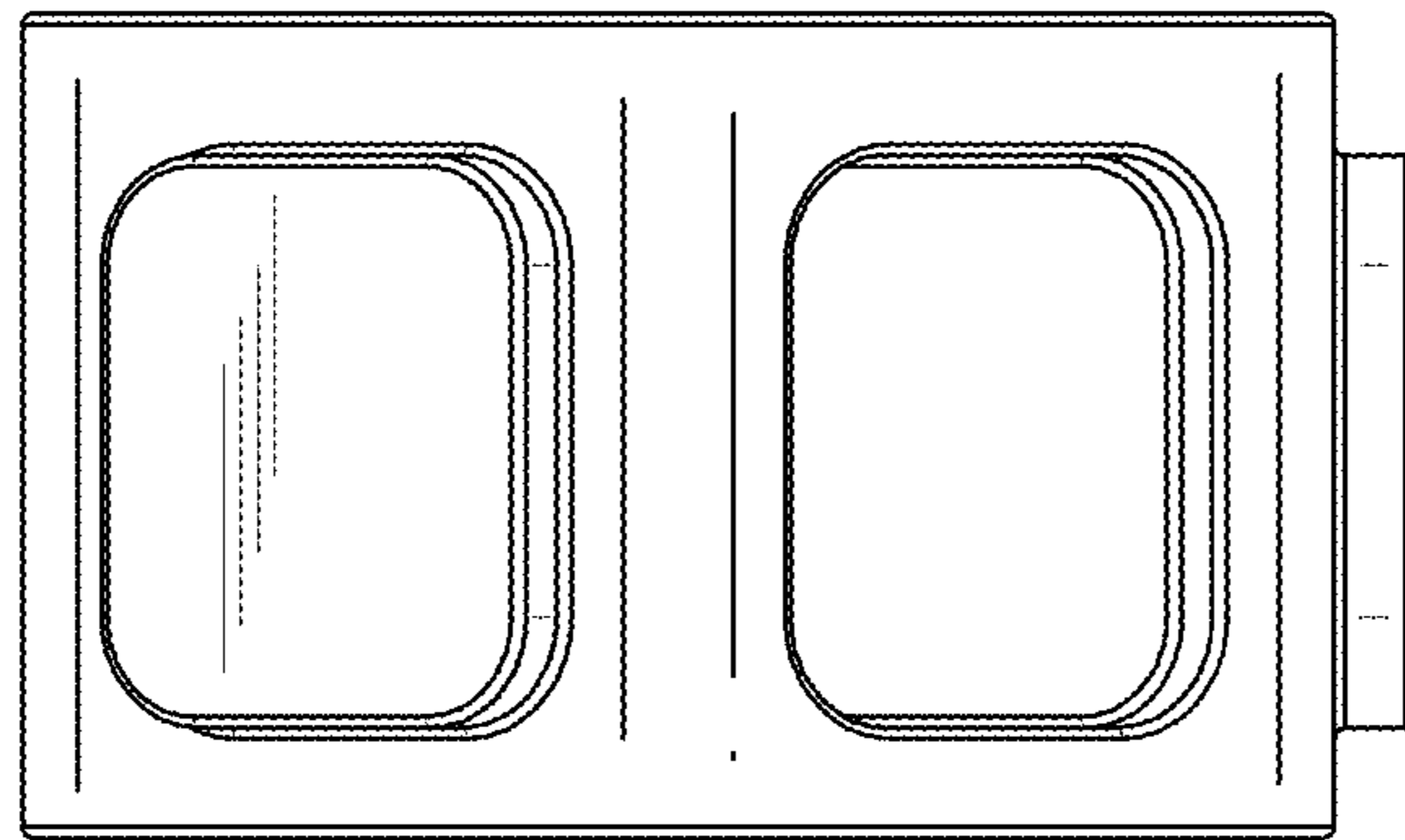


FIG. 4

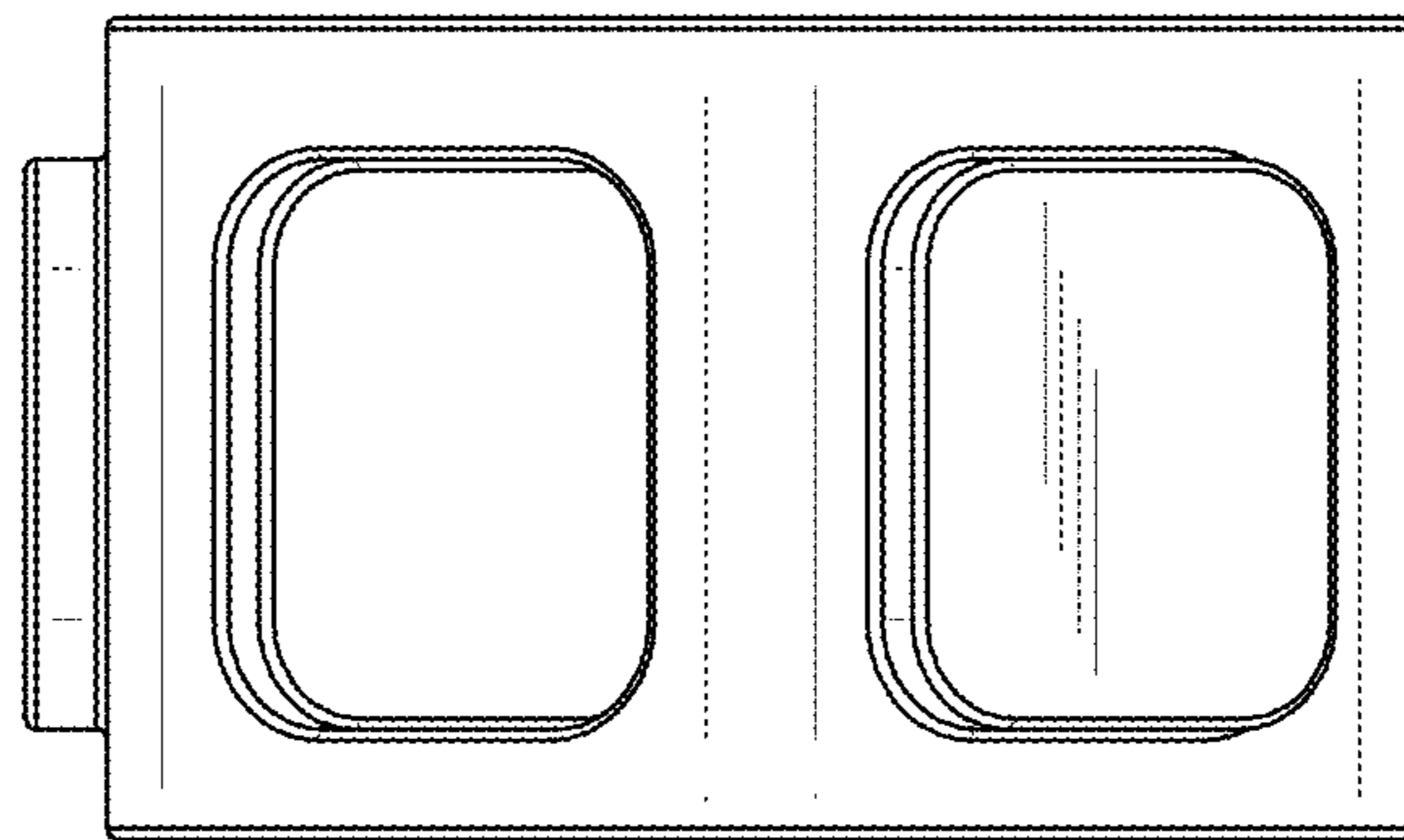


FIG. 5

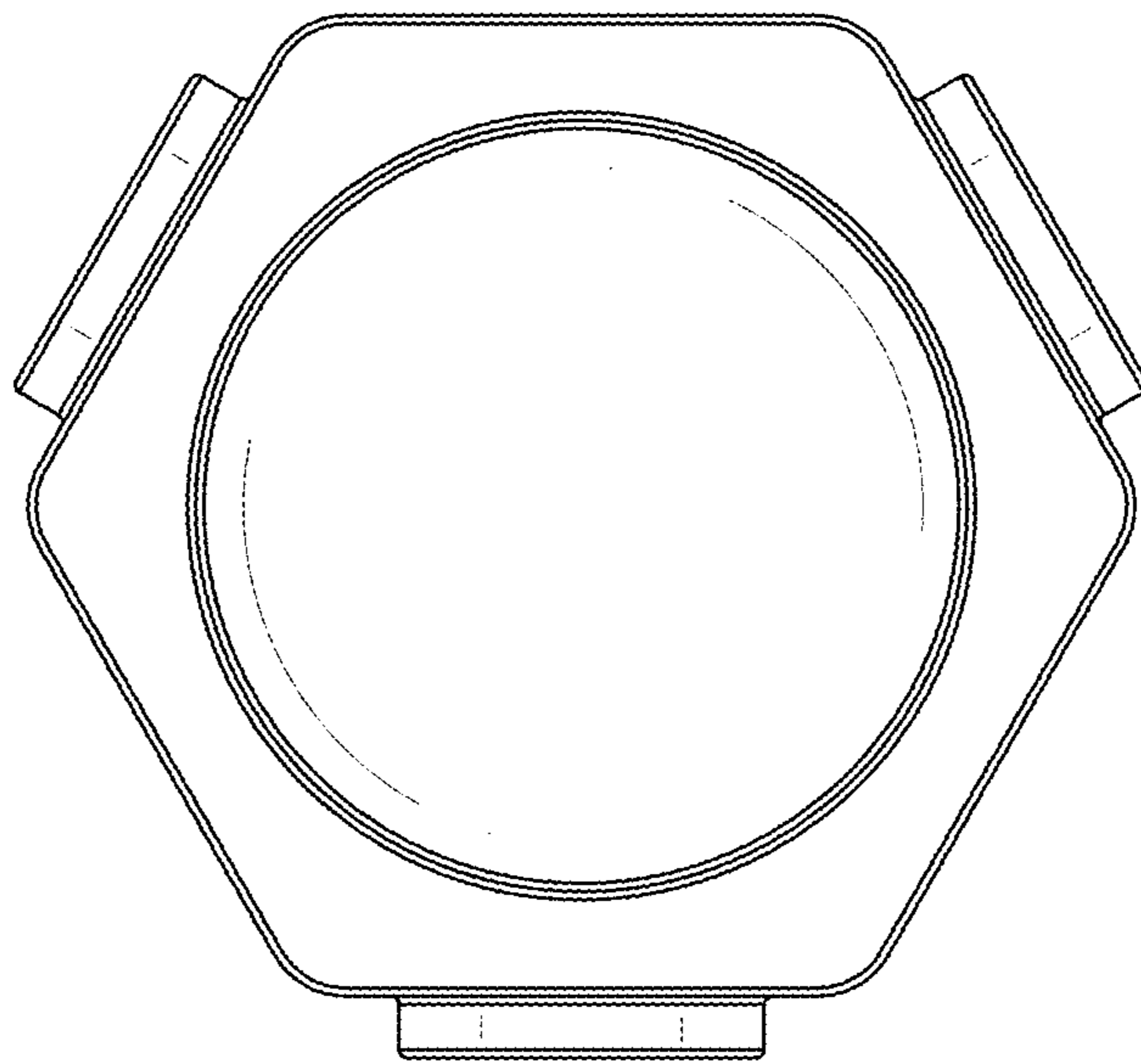


FIG. 6

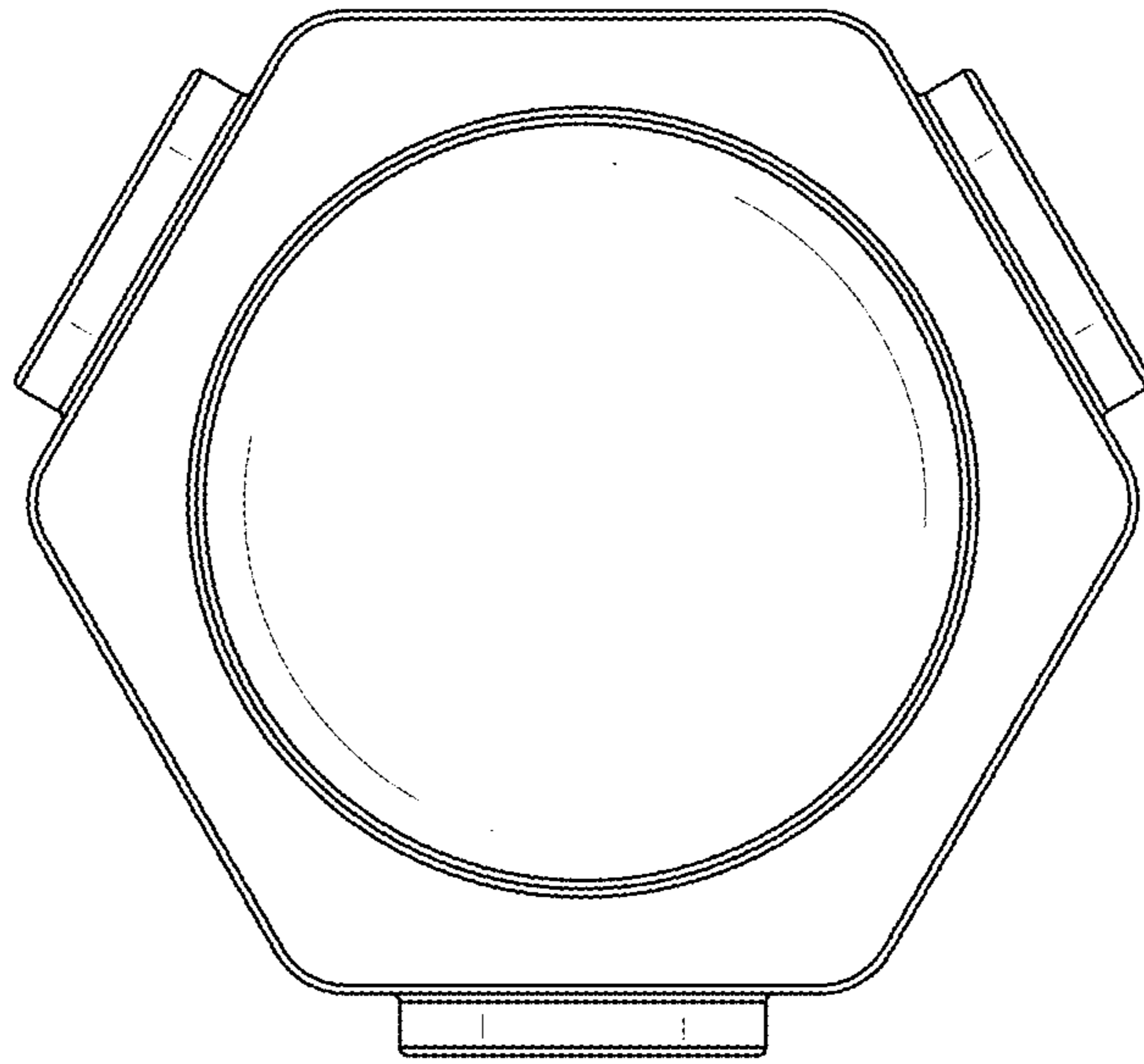


FIG. 7

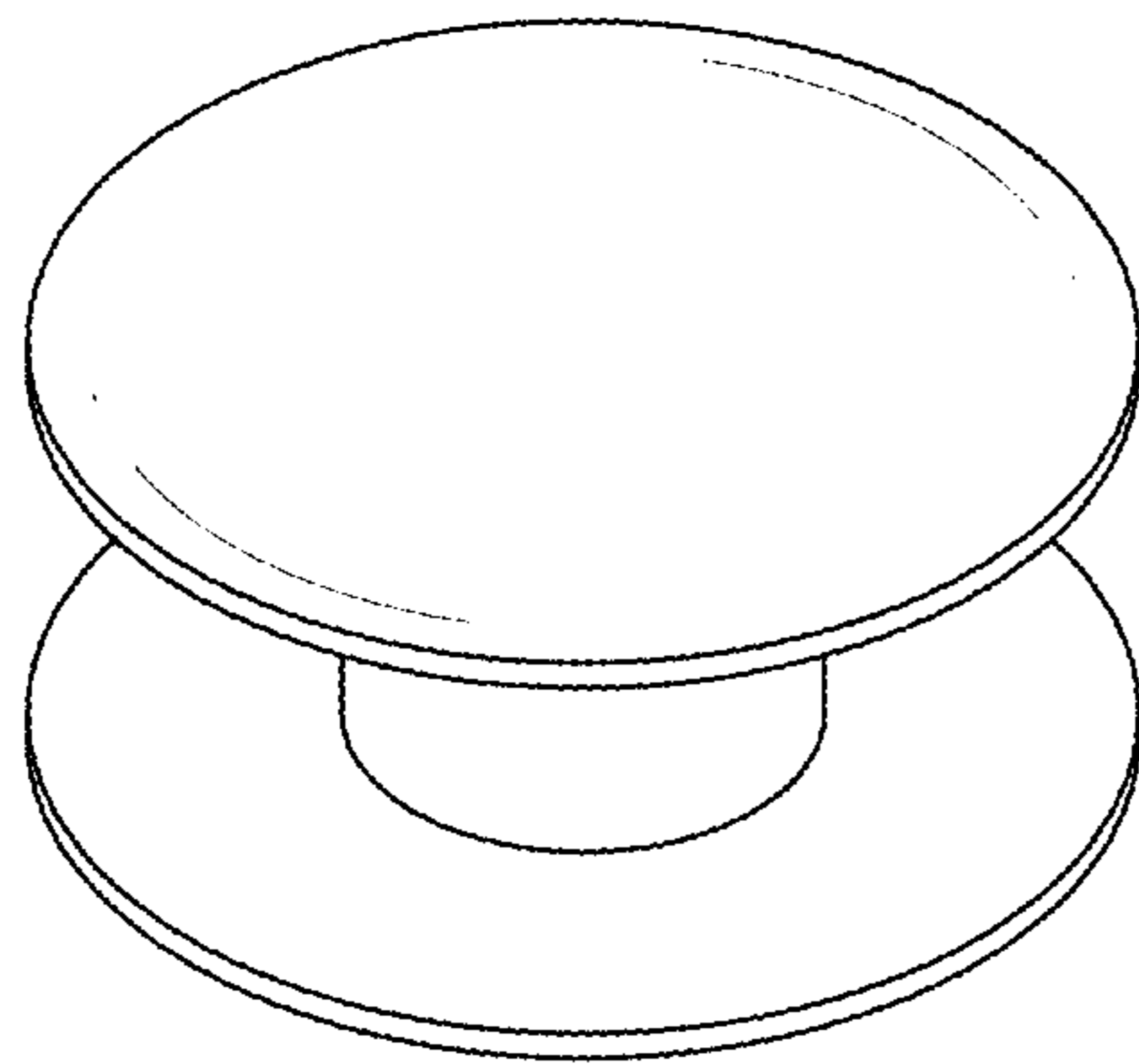
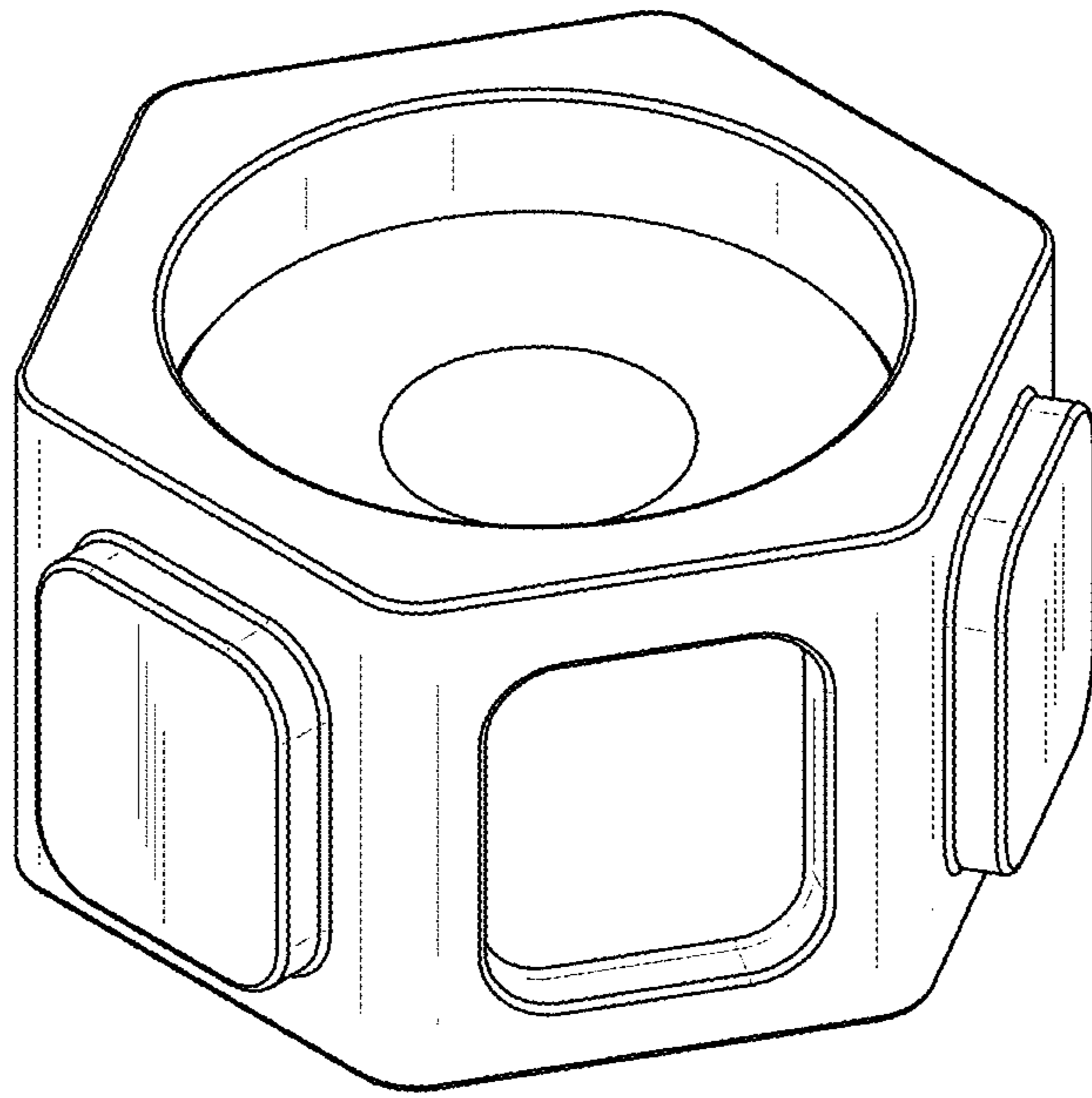


FIG. 8

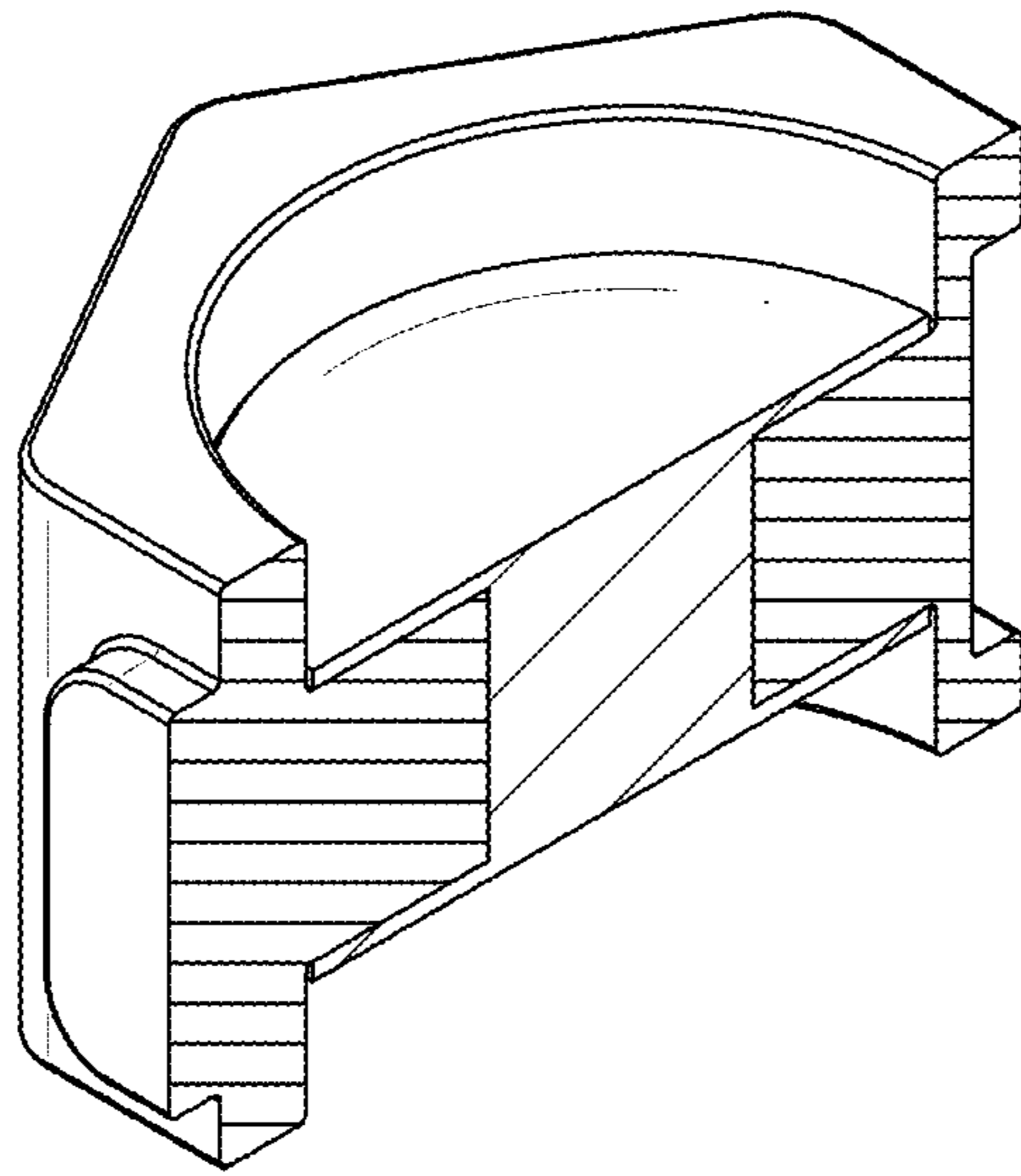


FIG. 9