



US00D891371S

(12) **United States Design Patent** (10) **Patent No.:** **US D891,371 S**  
**Chen** (45) **Date of Patent:** **\*\* Jul. 28, 2020**

(54) **BATTERY FRAME**  
(71) Applicant: **Cheng Uei Precision Industry Co., Ltd.**, New Taipei (TW)  
(72) Inventor: **Chih-Chung Chen**, New Taipei (TW)  
(73) Assignee: **CHENG UEI PRECISION INDUSTRY CO., LTD.**, New Taipei (TW)  
(\*\*) Term: **15 Years**  
(21) Appl. No.: **29/663,763**  
(22) Filed: **Sep. 18, 2018**  
(51) **LOC (12) Cl.** ..... **13-02**  
(52) **U.S. Cl.**  
USPC ..... **D13/119**  
(58) **Field of Classification Search**  
USPC ..... D13/118, 119, 154, 147, 174, 178, 179, D13/182, 199; D8/88, 300, 308, 309, D8/311, 312, 320, 341, 343, 356, 394, D8/396; D12/179; D15/5, 28; 74/469, 74/470, 473.12, 473.25, 485, 488, 490.14, 74/532; 292/199, 200, 201, 236  
CPC ..... H01H 9/283; H05K 7/1409; H01R 9/093; H01R 9/24; H01R 9/26; H01R 13/701; H01R 13/62933; H01R 12/00; H01R 12/75; H01R 12/721; H01R 12/7005; H02G 3/32; H02G 3/0406; H02G 3/0437; H02G 3/0431; F16L 3/24; F16L 3/243; F16L 3/2235  
See application file for complete search history.

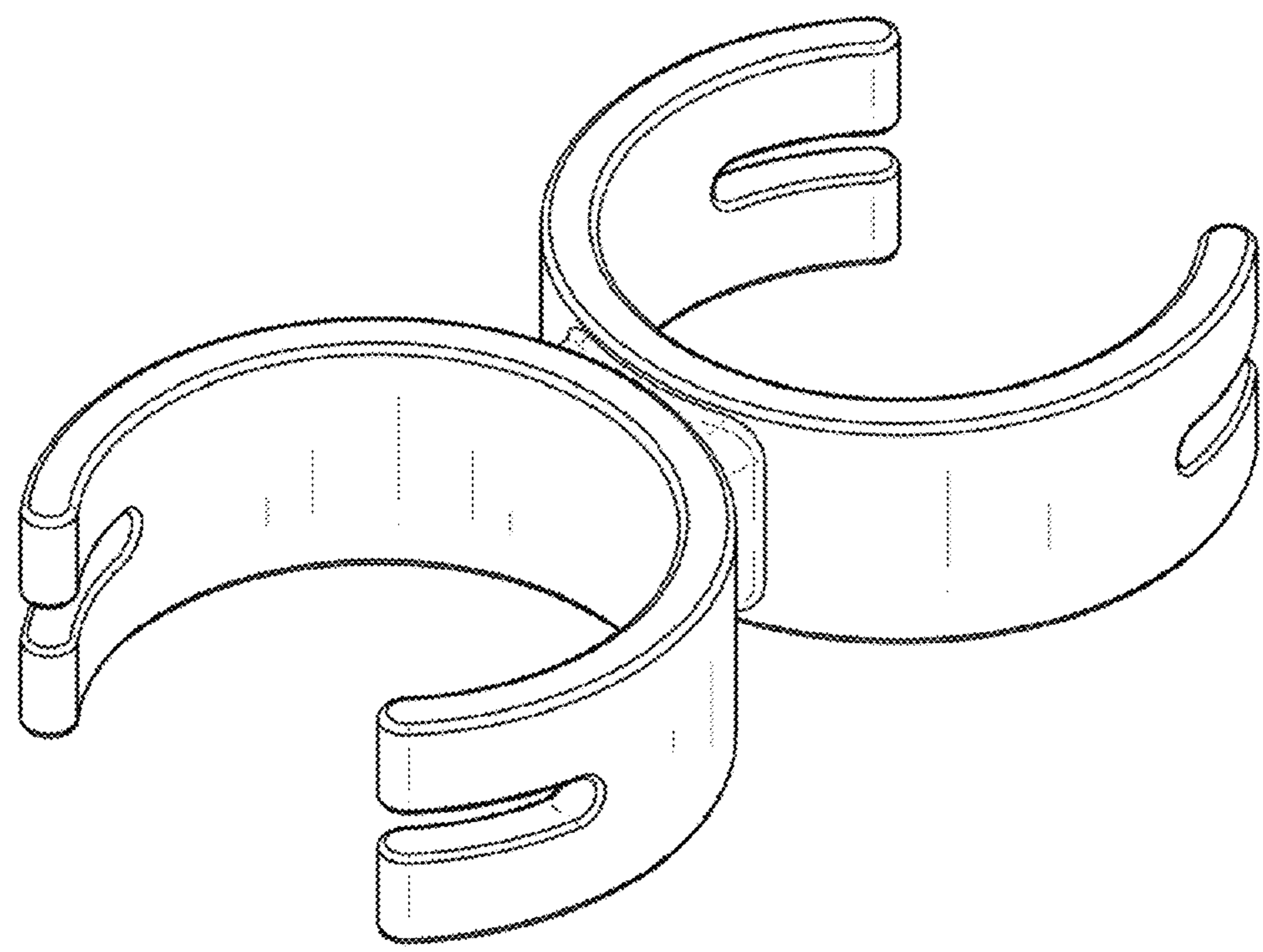
(56) **References Cited**  
U.S. PATENT DOCUMENTS  
D212,505 S \* 10/1968 Guerrero ..... D8/396  
D305,098 S \* 12/1989 Crowle ..... D8/395  
D506,385 S \* 6/2005 Brown ..... D8/394  
8,413,933 B2 \* 4/2013 Benne ..... F16L 3/24  
248/62  
D702,629 S \* 4/2014 Fukumochi ..... D13/102  
D719,503 S \* 12/2014 Kouyanagi ..... D13/102  
D723,363 S \* 3/2015 Symons ..... D8/396  
2007/0007397 A1 \* 1/2007 Nelson ..... F16L 3/2235  
248/68.1  
2014/0097304 A1 \* 4/2014 Mastro ..... F16L 3/243  
248/73

\* cited by examiner  
*Primary Examiner* — Derrick E Holland  
(74) *Attorney, Agent, or Firm* — Cheng-Ju Chiang

(57) **CLAIM**  
The ornamental design for a battery frame, as shown and described.

**DESCRIPTION**  
FIG. 1 is a perspective view of a battery frame showing my new design;  
FIG. 2 is a front elevational view thereof;  
FIG. 3 is a rear elevational view thereof;  
FIG. 4 is a left side elevational view thereof;  
FIG. 5 is a right side elevational view thereof;  
FIG. 6 is a top plan view thereof; and,  
FIG. 7 is a bottom plan view thereof.

**1 Claim, 7 Drawing Sheets**



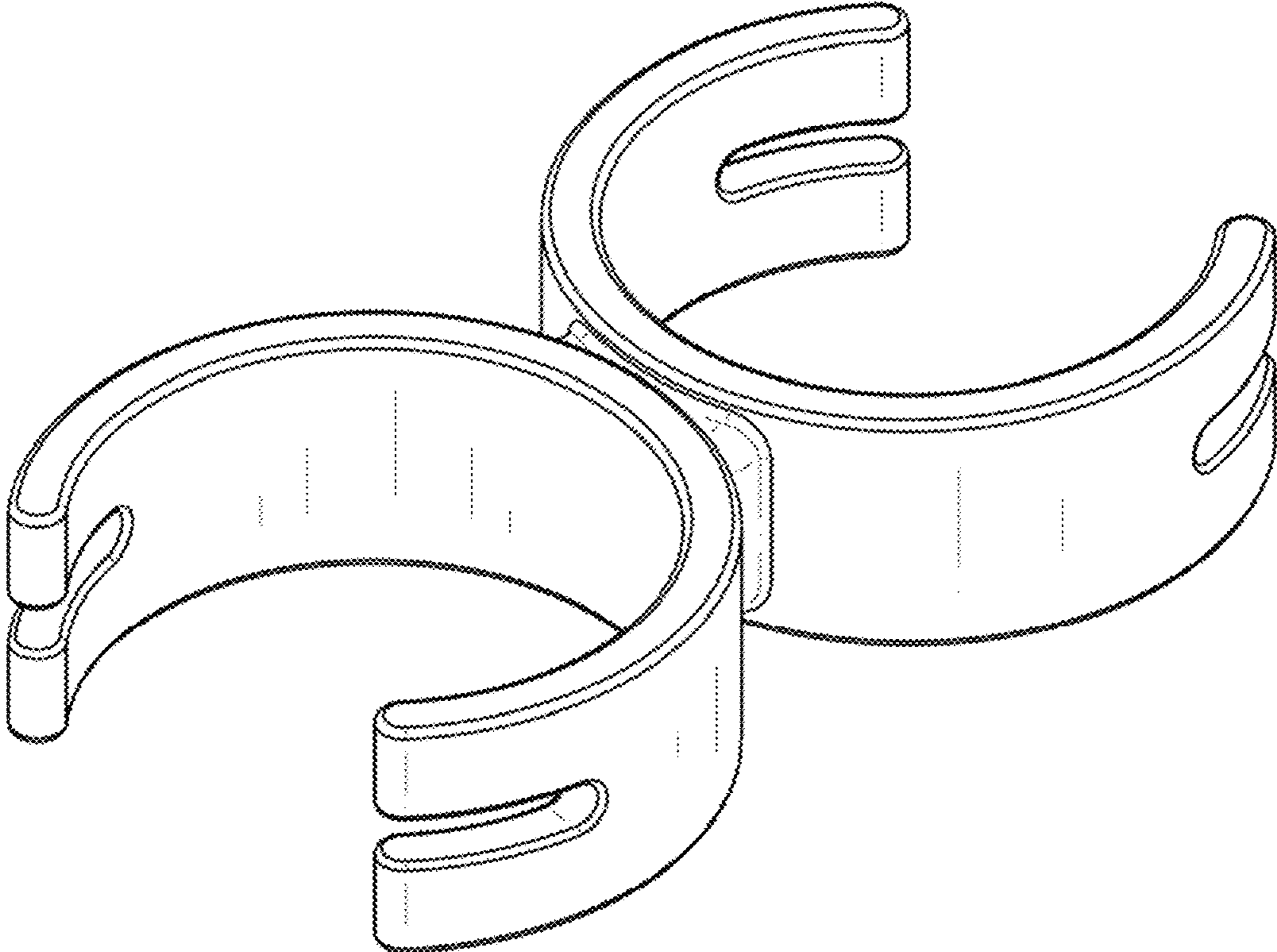


FIG. 1

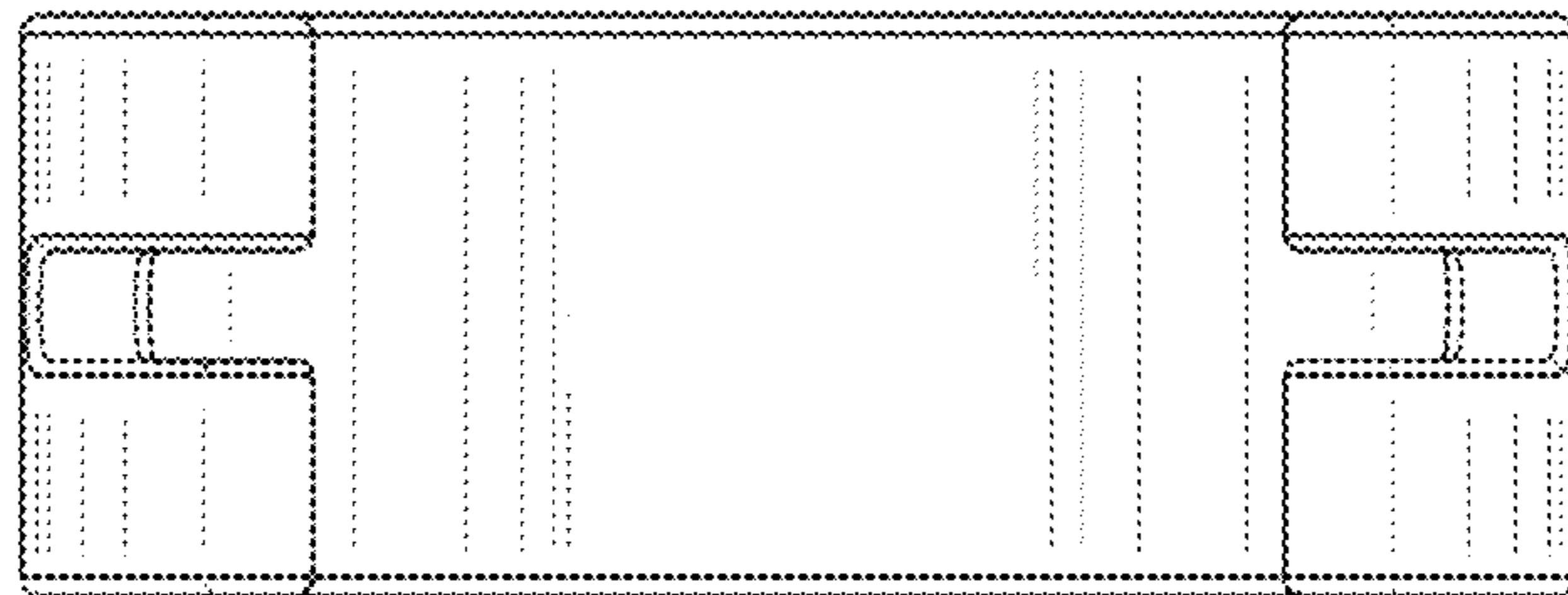


FIG. 2

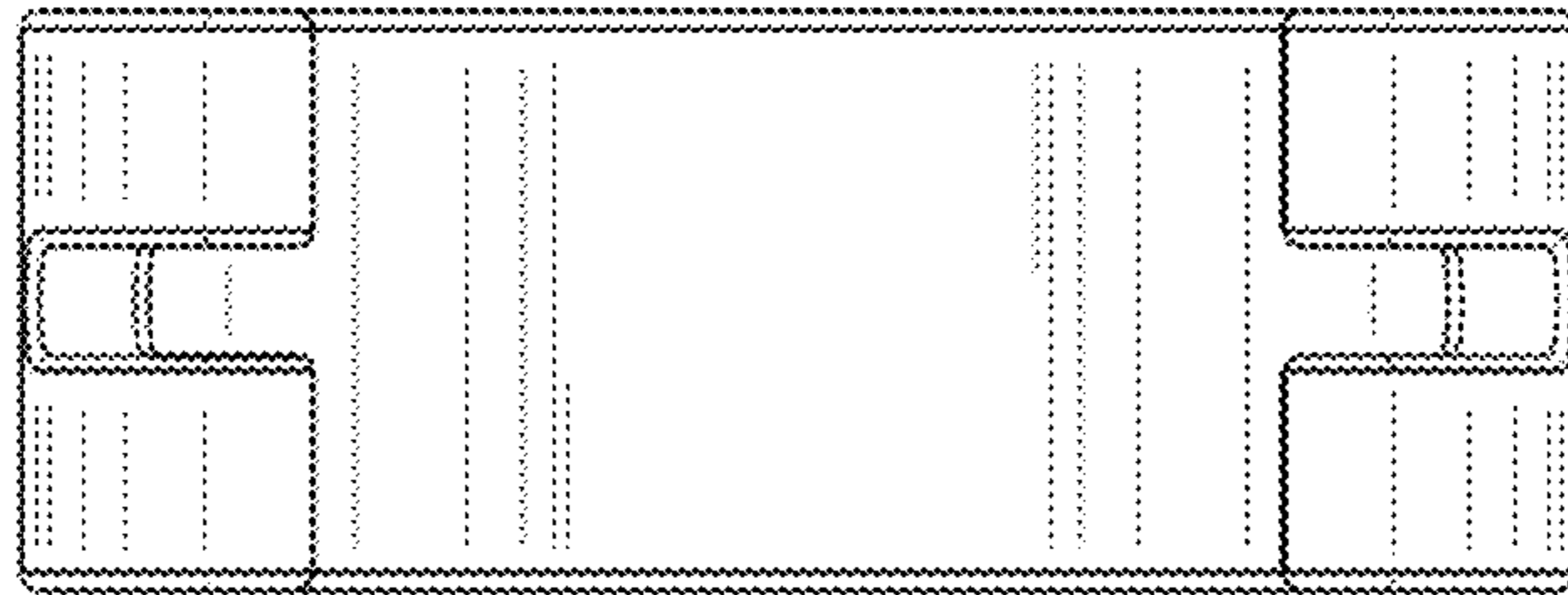


FIG. 3

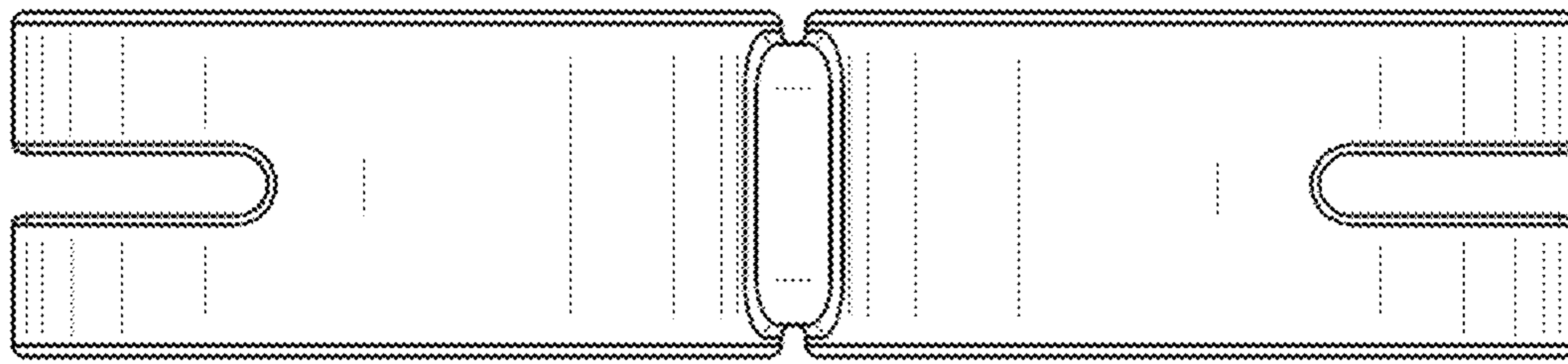


FIG. 4

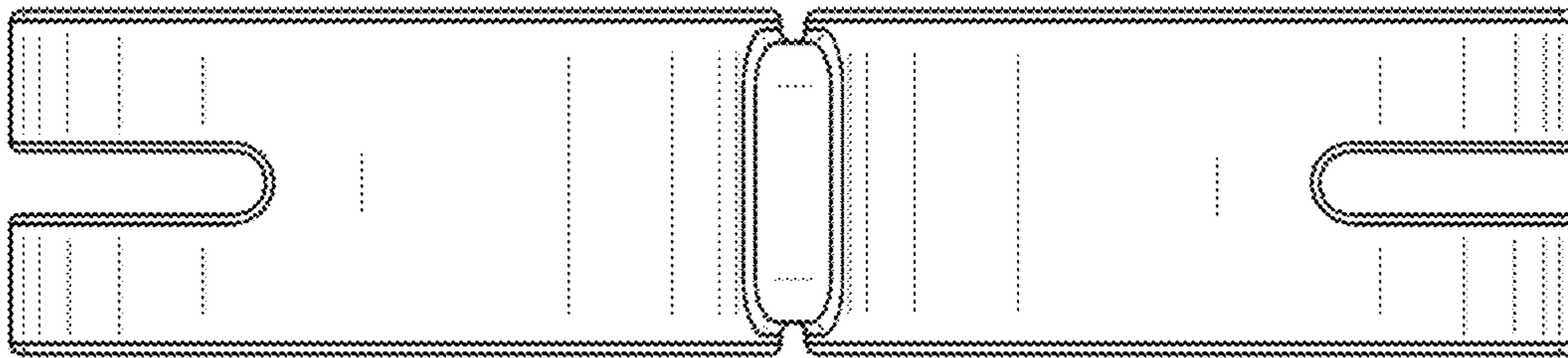


FIG. 5

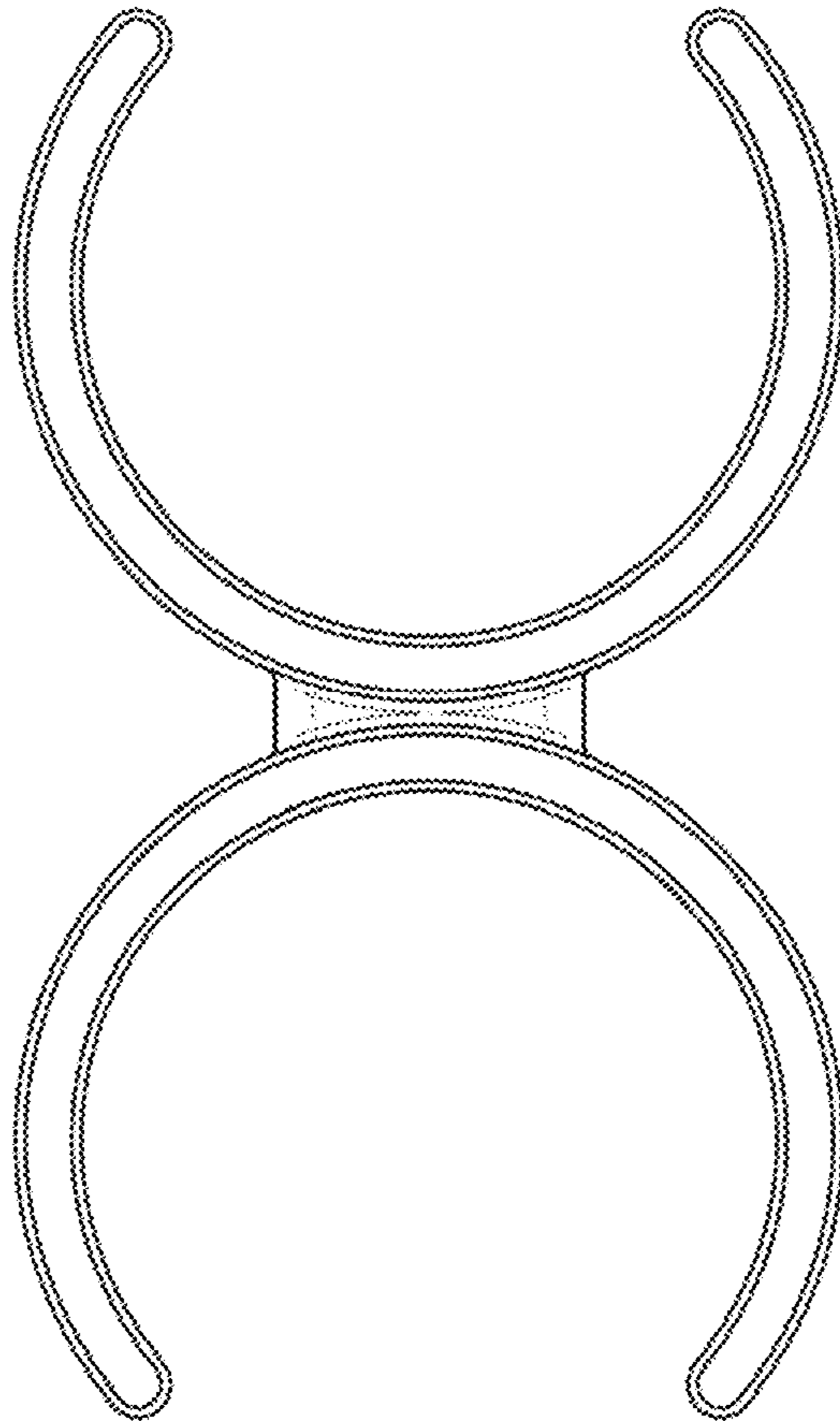


FIG. 6

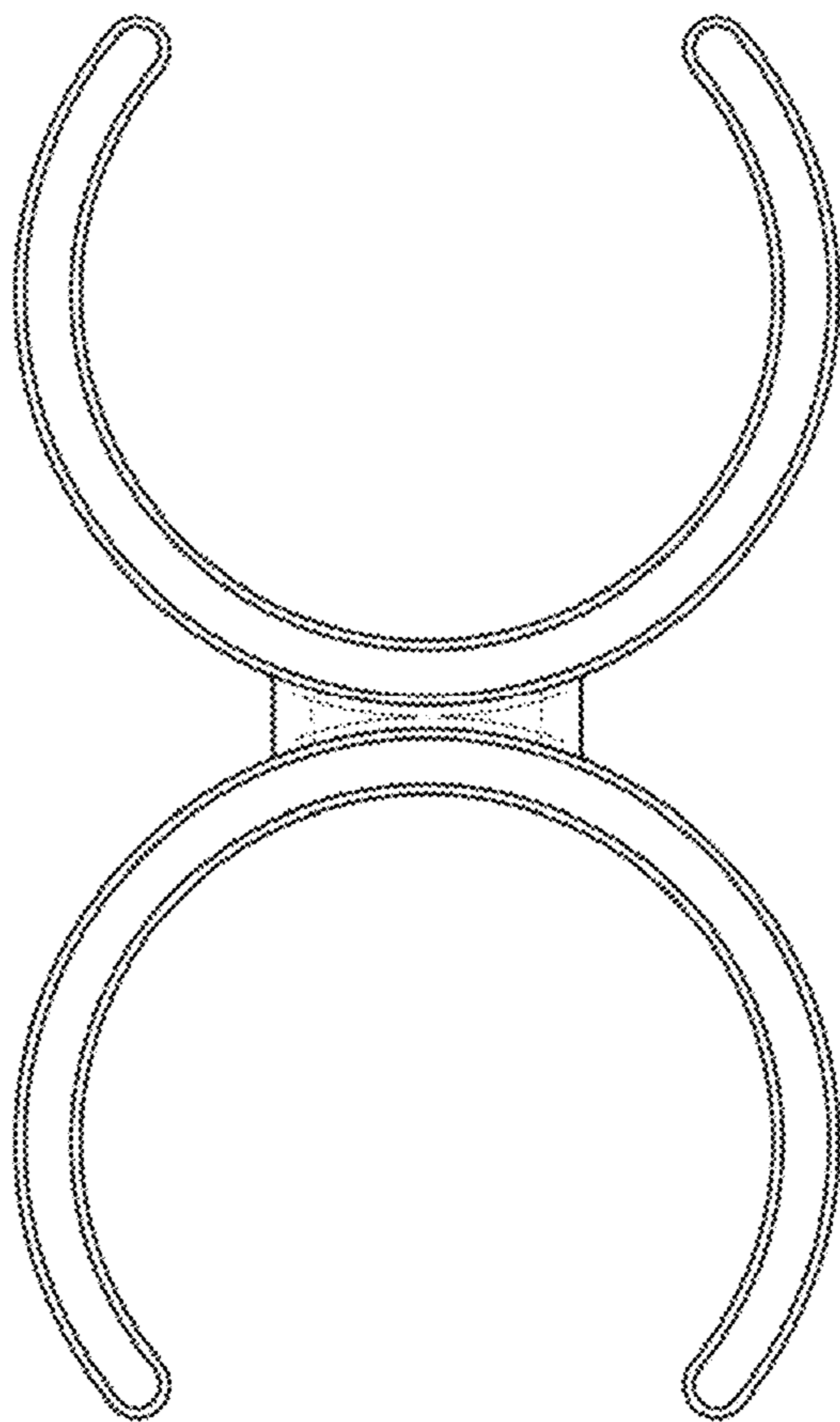


FIG. 7