



US00D891370S

(12) **United States Design Patent** (10) **Patent No.:** **US D891,370 S**  
**Daminger et al.** (45) **Date of Patent:** **\*\* Jul. 28, 2020**

(54) **ELECTRIC MOTOR**

(56) **References Cited**

(71) Applicant: **SEW-EURODRIVE GmbH & Co KG**, Bruchsal (DE)

U.S. PATENT DOCUMENTS

(72) Inventors: **Franz Daminger**, Ludwigshafen am Rhein (DE); **Andreas Zieger**, Waghäusel (DE); **Danil Niznicenko**, Bruchsal (DE)

D466,132	S	*	11/2002	Ricci	.....	D15/1
D593,942	S	*	6/2009	Lannoch	.....	D13/112
D608,279	S	*	1/2010	Lannoch	.....	D13/112
D608,280	S	*	1/2010	Lannoch	.....	D13/112
D614,568	S	*	4/2010	Lannoch	.....	D13/112
D627,295	S	*	11/2010	Lannoch	.....	D13/112
8,421,273	B2	*	4/2013	Schmidt	.....	H02J 50/70 307/104
D829,171	S	*	9/2018	Niznicenko	.....	D13/112
D847,889	S	*	5/2019	Gerber	.....	D15/149
2009/0102284	A1	*	4/2009	Schmidt	.....	H02K 11/0094 307/17

(\*\*) Term: **15 Years**

(21) Appl. No.: **35/506,738**

(22) Filed: **Nov. 12, 2018**

\* cited by examiner

(80) **Hague Agreement Data**

*Primary Examiner* — Richard E Chilcot

Int. Filing Date: **Nov. 12, 2018**  
 Int. Reg. No.: **DM/200417**  
 Int. Reg. Date: **Nov. 12, 2018**  
 Int. Reg. Pub. Date: **May 17, 2019**

(57) **CLAIM**

The ornamental design for electric motor, as shown and described.

(51) **LOC (12) Cl.** ..... **13-01**

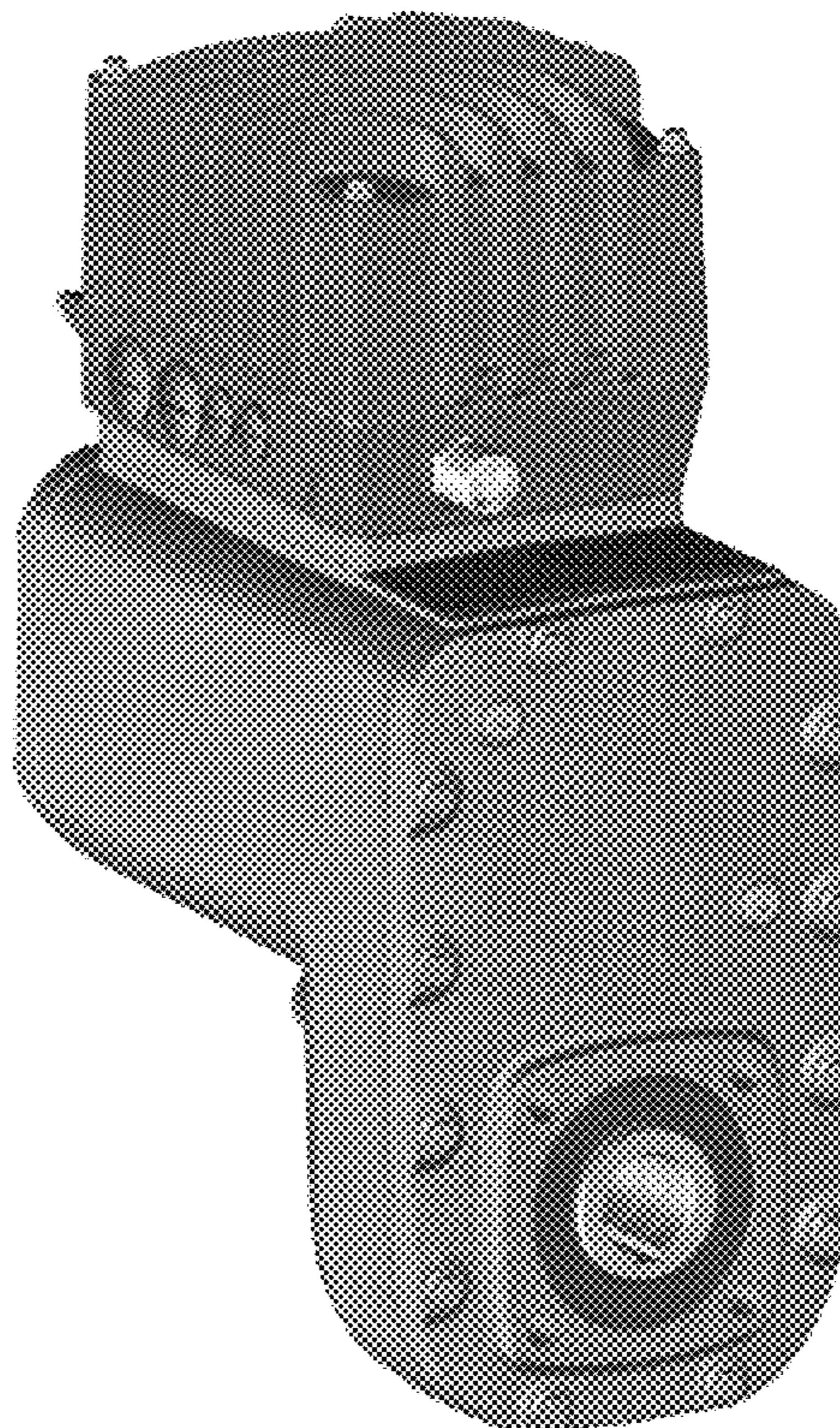
(52) **U.S. Cl.**  
USPC ..... **D13/112**

(58) **Field of Classification Search**  
 USPC ..... D13/112-114, 122, 123, 199; D15/1-5, D15/148, 149, 199; D23/314; 307/104; 320/108, 109  
 CPC ..... B60K 7/0007; B60K 200/0092; B60L 15/2009; Y02T 10/72; Y02T 10/7275  
 See application file for complete search history.

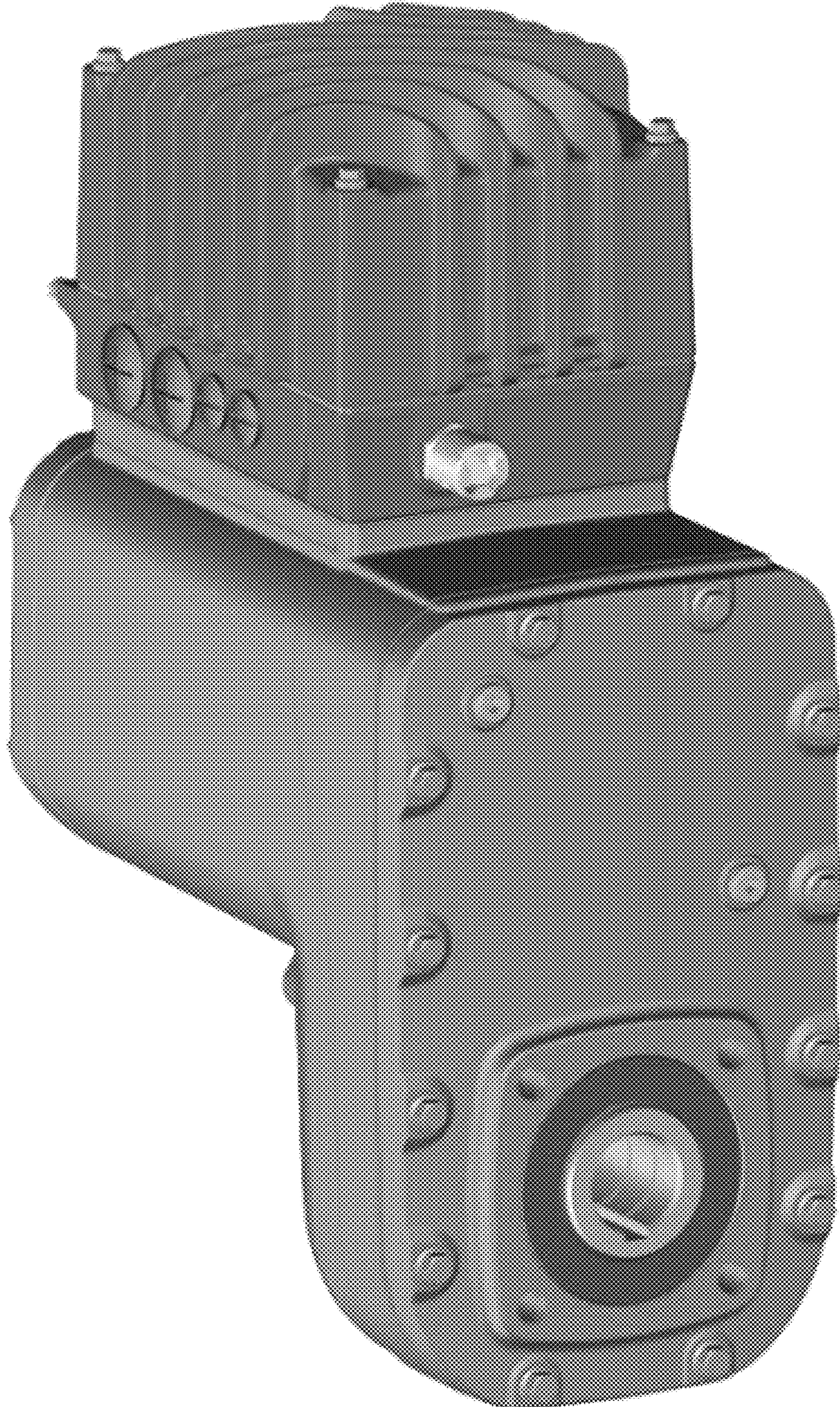
**DESCRIPTION**

**5.1** is an enlarged top, front, left perspective view of an electric motor, showing my new design;  
**5.2** is an enlarged rear elevation view thereof;  
**5.3** is a left side view thereof;  
**5.4** is an enlarged top plan view thereof;  
**5.5** is a right side view thereof;  
**5.6** is an enlarged bottom plan view thereof; and  
**5.7** is a front elevation view thereof.

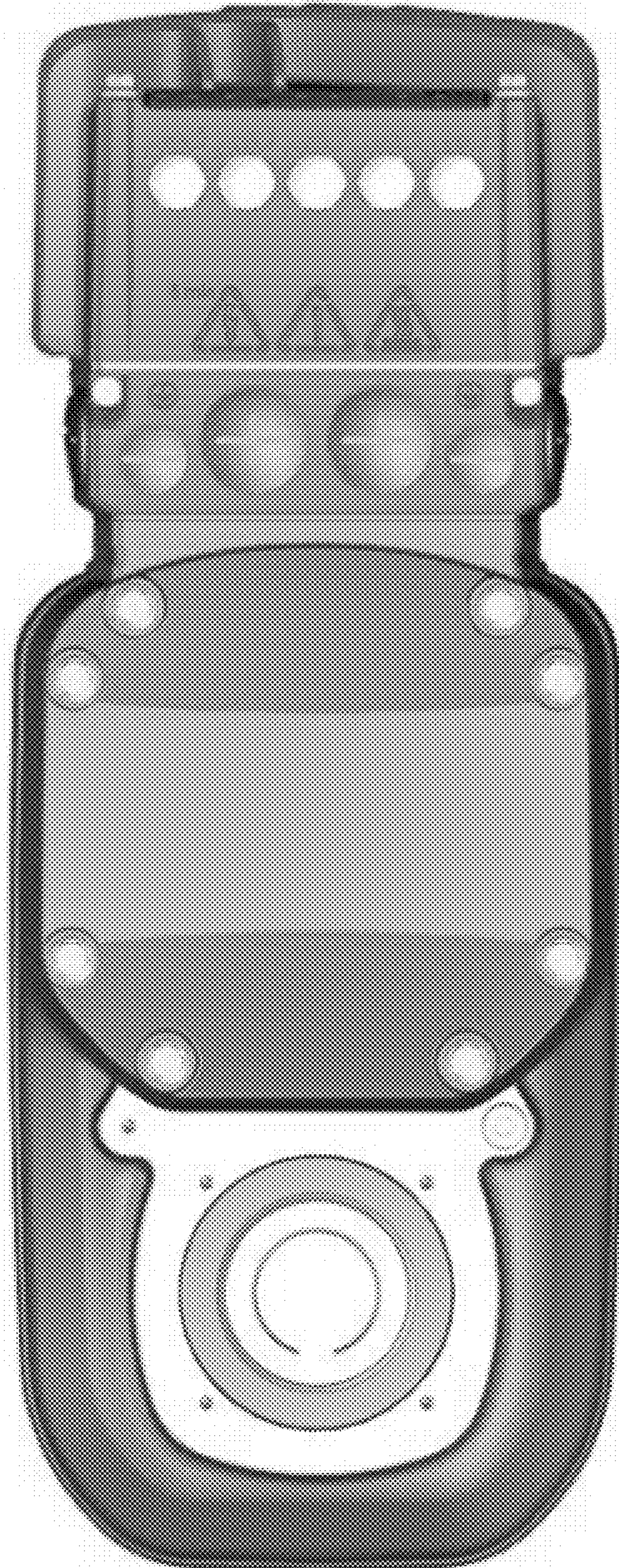
**1 Claim, 7 Drawing Sheets**



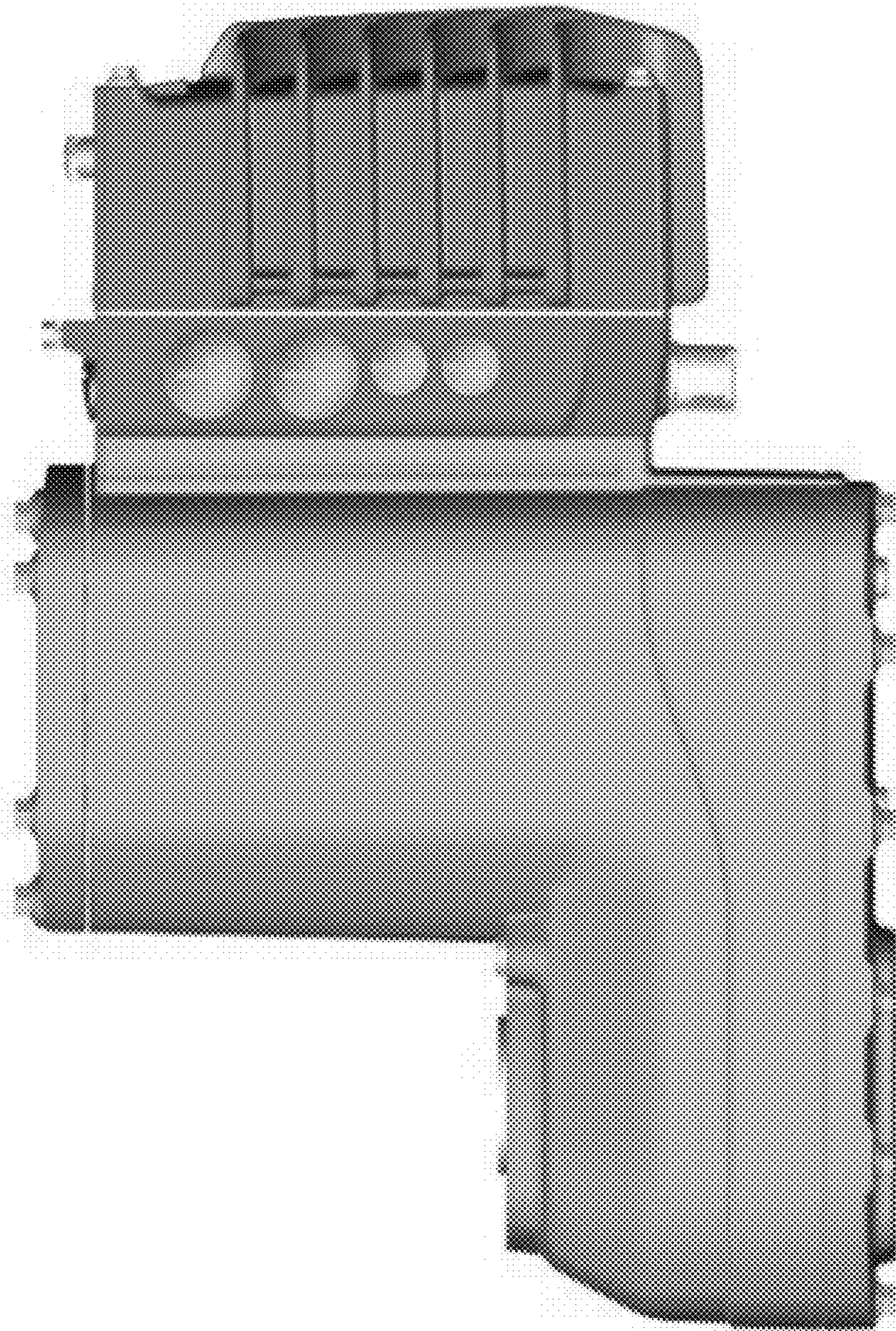
# 5.1



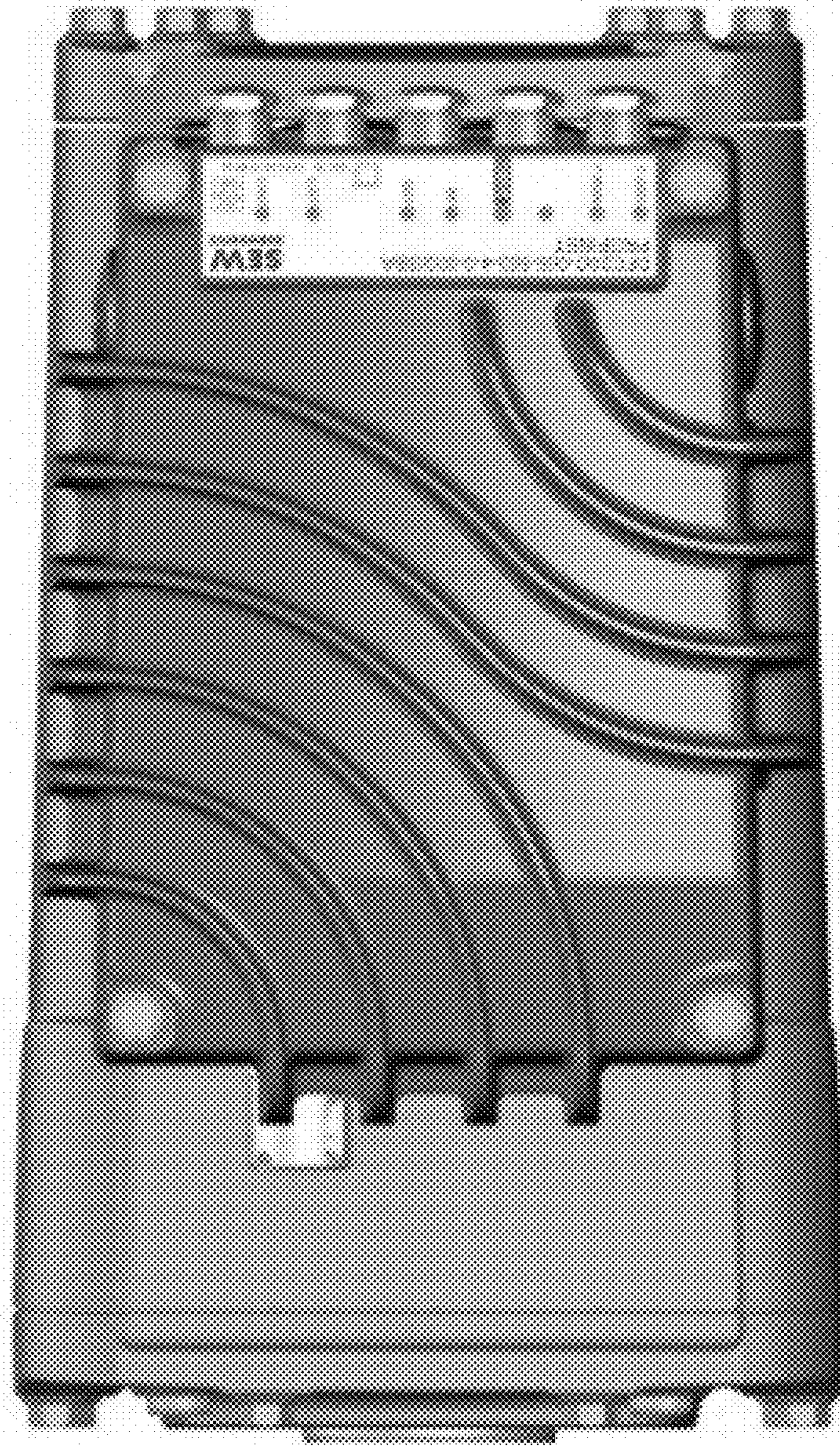
# 5.2



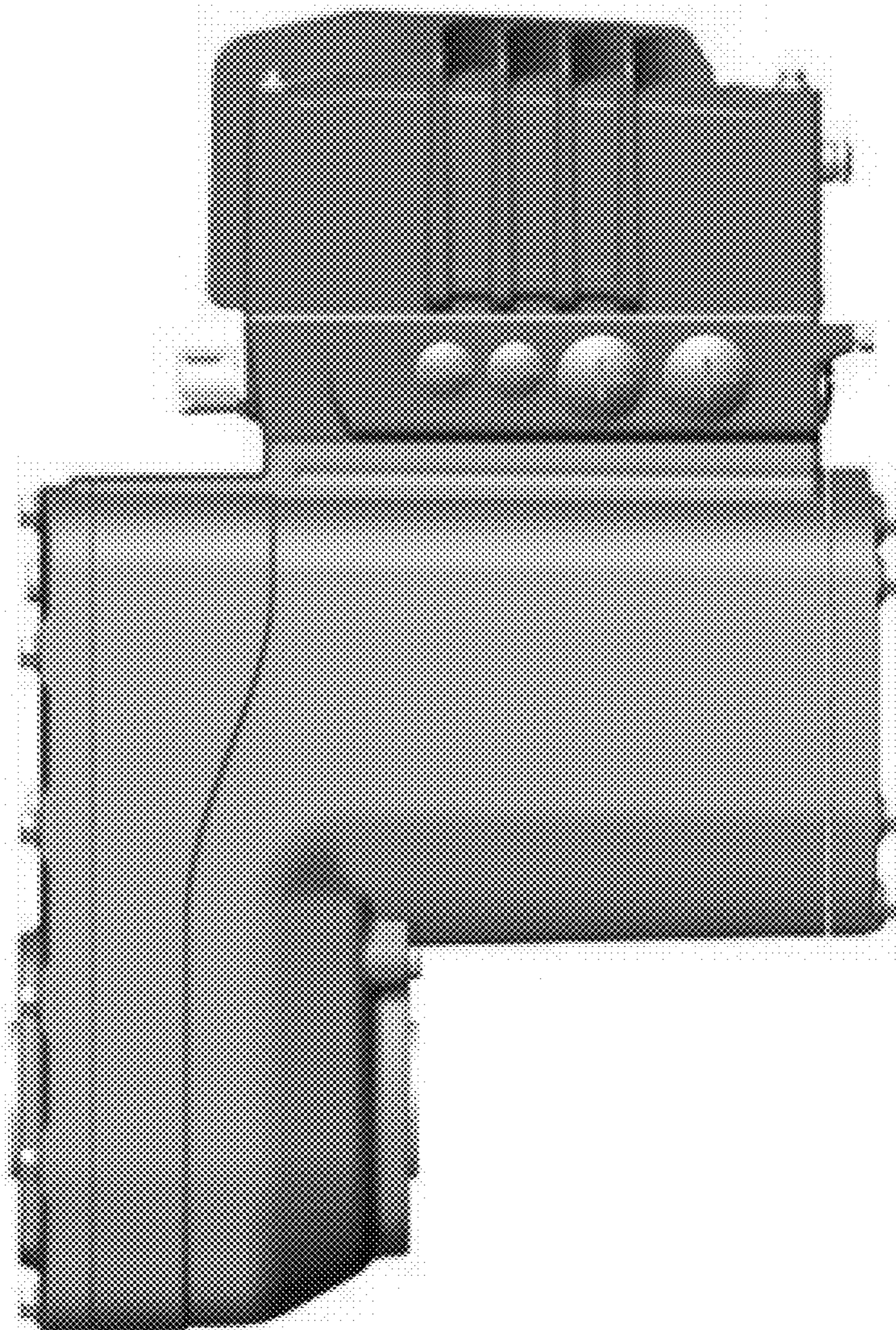
# 5.3



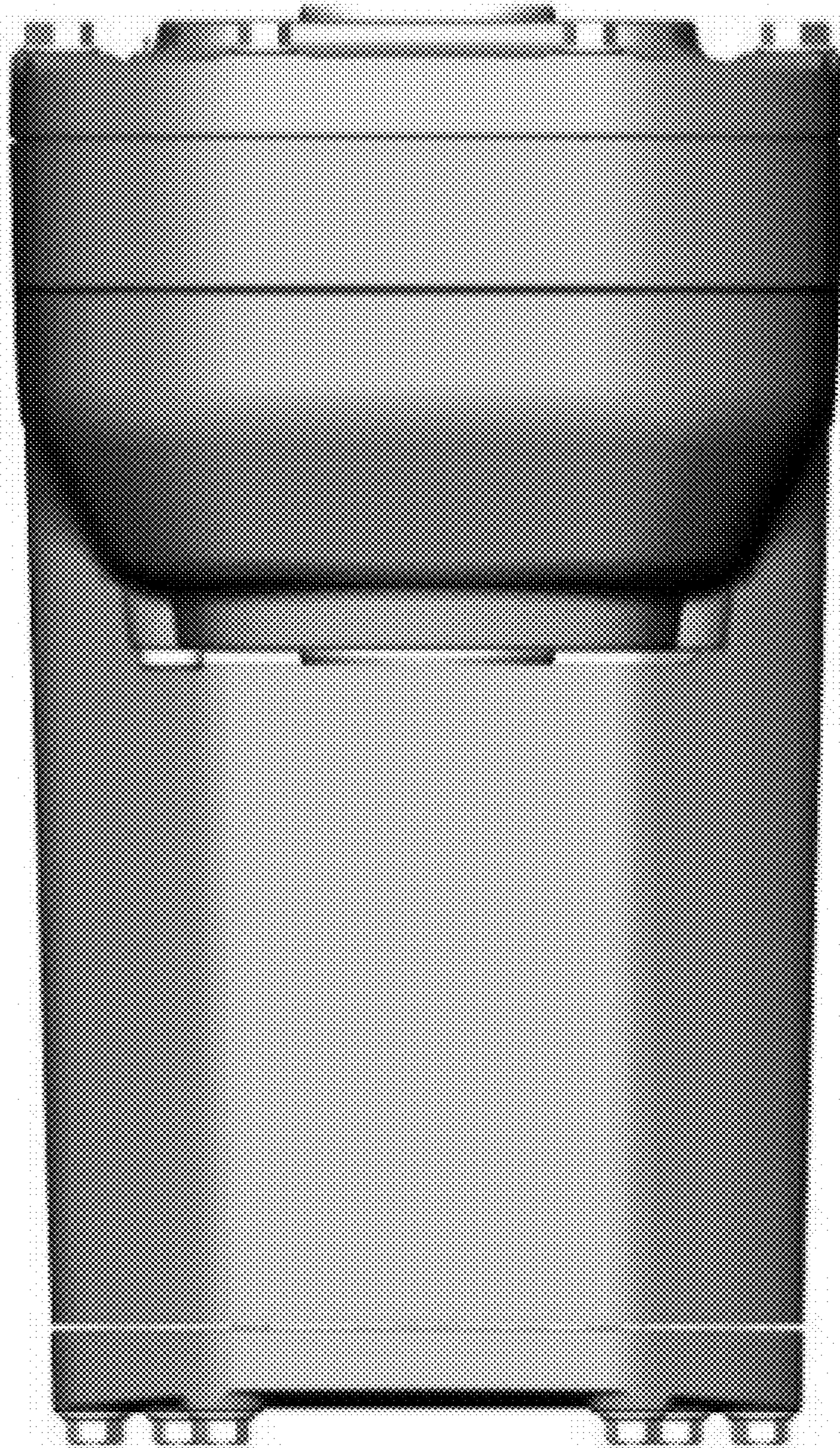
# 5.4



5.5



# 5.6



5.7

