



US00D891366S

(12) **United States Design Patent** (10) **Patent No.:** **US D891,366 S**
Xie et al. (45) **Date of Patent:** **** Jul. 28, 2020**

(54) **CHARGER**
(71) Applicant: **Mobvoi Information Technology Co., LTD., Beijing (CN)**
(72) Inventors: **Ke Xie, Beijing (CN); Jing Gu, Beijing (CN)**
(73) Assignee: **Mobvoi Information Technology Co., LTD., Beijing (CN)**
(**) Term: **15 Years**
(21) Appl. No.: **29/648,941**
(22) Filed: **May 24, 2018**
(51) **LOC (12) Cl.** **13-02**
(52) **U.S. Cl.**
USPC **D13/108**
(58) **Field of Classification Search**
USPC D13/107-108, 110, 118, 184; D14/251, D14/253, 432, 434
CPC .. H02J 50/00; H02J 50/10; H02J 50/12; H02J 50/50; H02J 50/80; H02J 7/025; H02J 5/00; H02J 5/005; H02J 7/0042; H02J 7/0044; H02J 7/0045; H02J 7/00032; H02J 7/00034
See application file for complete search history.

D738,303 S * 9/2015 Symons D13/108
D747,267 S * 1/2016 Aumiller D13/108
D749,504 S * 2/2016 Jeong D13/108
D782,973 S * 4/2017 Zhou D13/108
D784,259 S * 4/2017 Huang D13/108
D786,792 S * 5/2017 Miller D13/110
D794,556 S * 8/2017 Liao D13/107
D797,042 S * 9/2017 Miller D13/107
D798,807 S * 10/2017 Shi D13/108
D802,529 S * 11/2017 Andersson D13/108
D809,456 S * 2/2018 Miller D13/110
D810,015 S * 2/2018 Carreon D13/108
D817,268 S * 5/2018 Symons D13/108
D821,309 S * 6/2018 Barnard D13/108
D825,549 S * 8/2018 Lebovitz D14/253
D839,188 S * 1/2019 Akana D13/108
D839,189 S * 1/2019 Miller D13/108
D850,372 S * 6/2019 Kong D13/108
D855,567 S * 8/2019 Cai D13/108
D859,307 S * 9/2019 Campos D13/108
D865,768 S * 11/2019 Du D14/434

* cited by examiner

Primary Examiner — Rosemary K Tarcza
(74) *Attorney, Agent, or Firm* — Andrus Intellectual Property Law, LLP

(57) **CLAIM**

The ornamental design for a charger, as shown and described.

DESCRIPTION

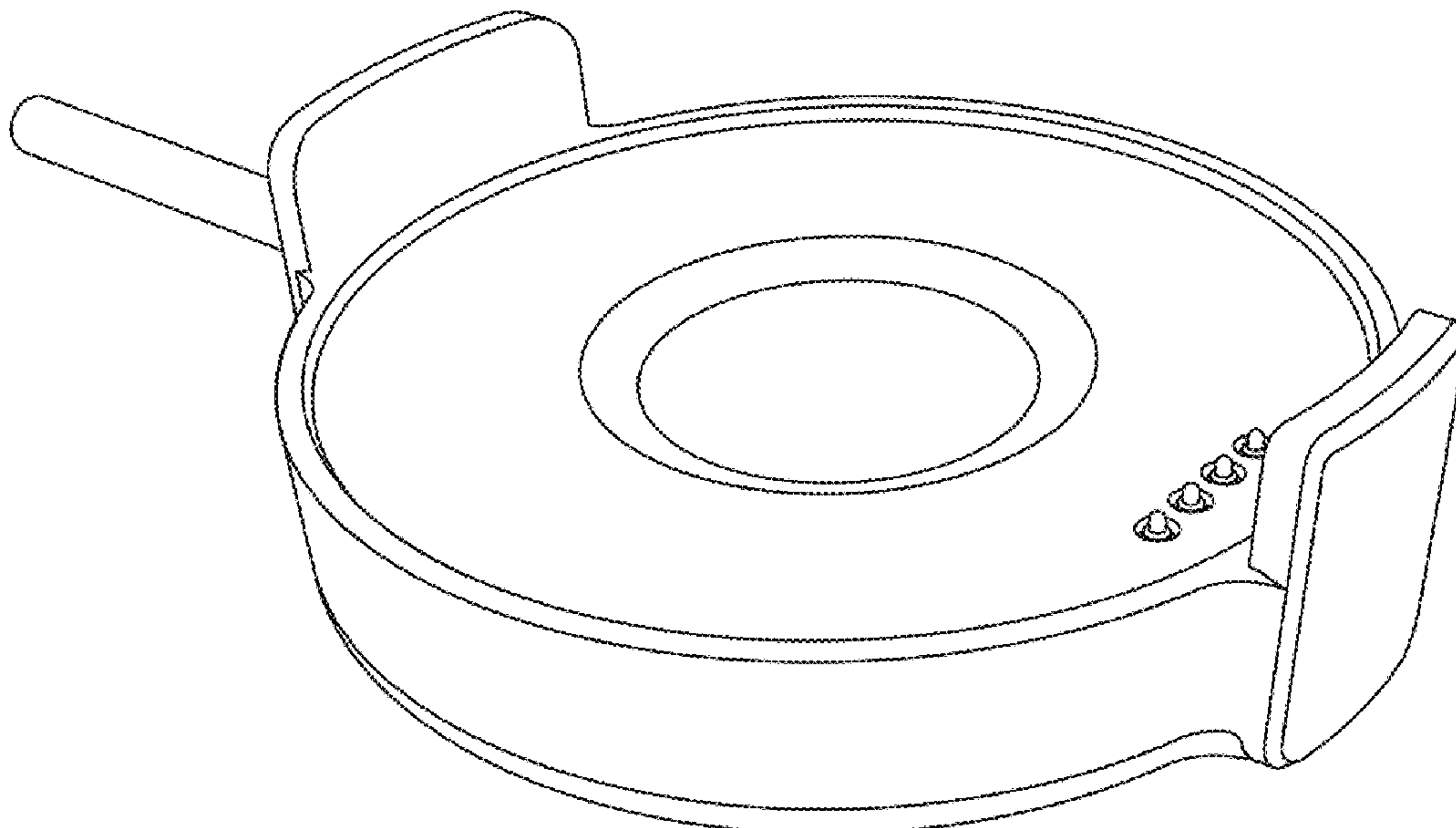
FIG. 1 is a perspective view of a charger showing the new design;
FIG. 2 is a front elevation view thereof;
FIG. 3 is a rear elevation view thereof;
FIG. 4 is a left elevation view thereof;
FIG. 5 is a right elevation view thereof;
FIG. 6 is a top plan view thereof; and,
FIG. 7 is a bottom plan view thereof.

1 Claim, 3 Drawing Sheets

(56) **References Cited**

U.S. PATENT DOCUMENTS

D526,973 S * 8/2006 Gates D13/168
D673,110 S * 12/2012 Sasada D13/108
D694,228 S * 11/2013 Richter D14/253
D697,027 S * 1/2014 Ho D13/108
D704,634 S * 5/2014 Eidelman D13/108
D725,034 S * 3/2015 Chen D13/108
D735,131 S * 7/2015 Akana D13/108
D735,133 S * 7/2015 Reishus D13/108
D737,762 S * 9/2015 Aumiller D13/108



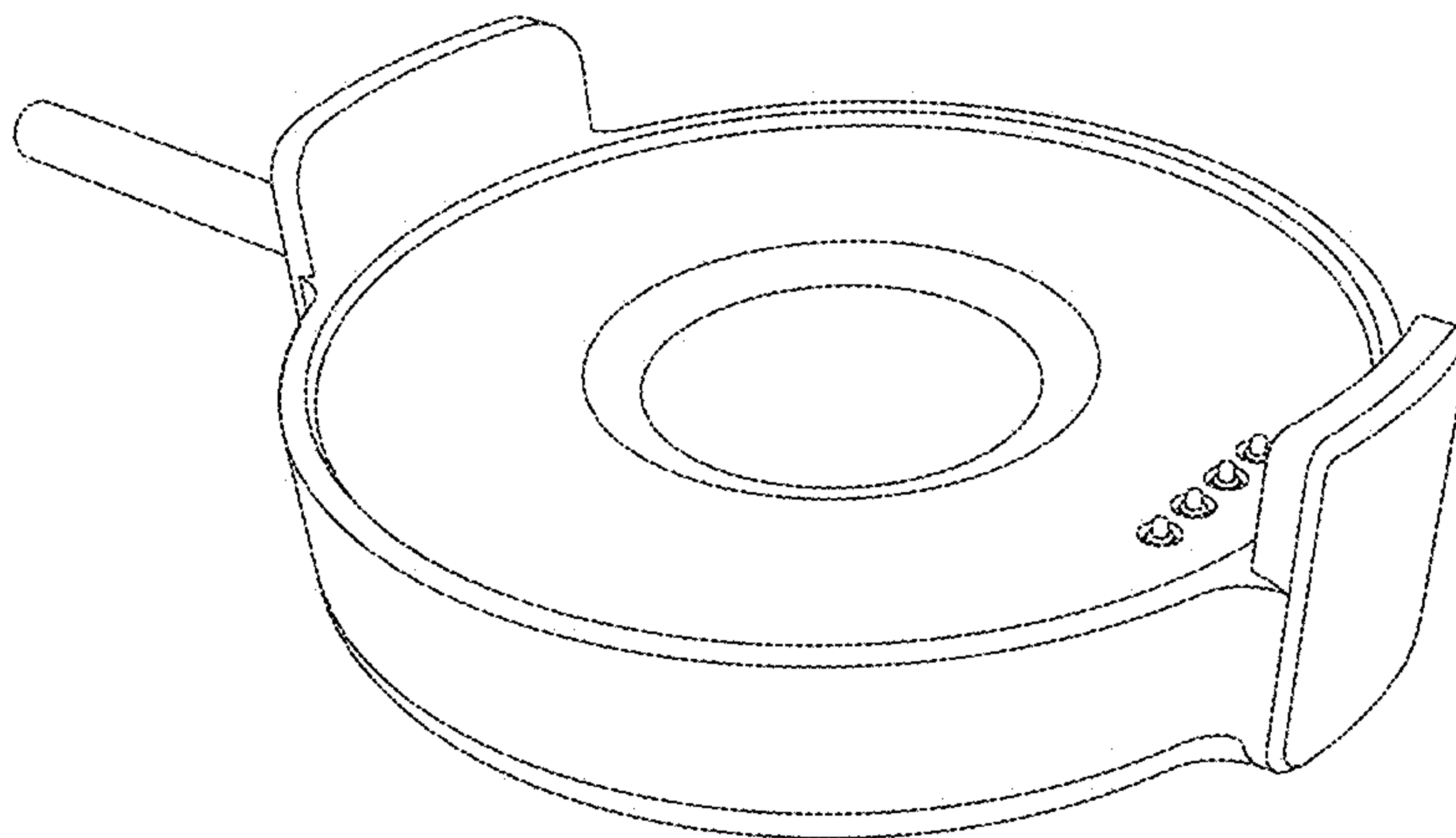


FIG.1

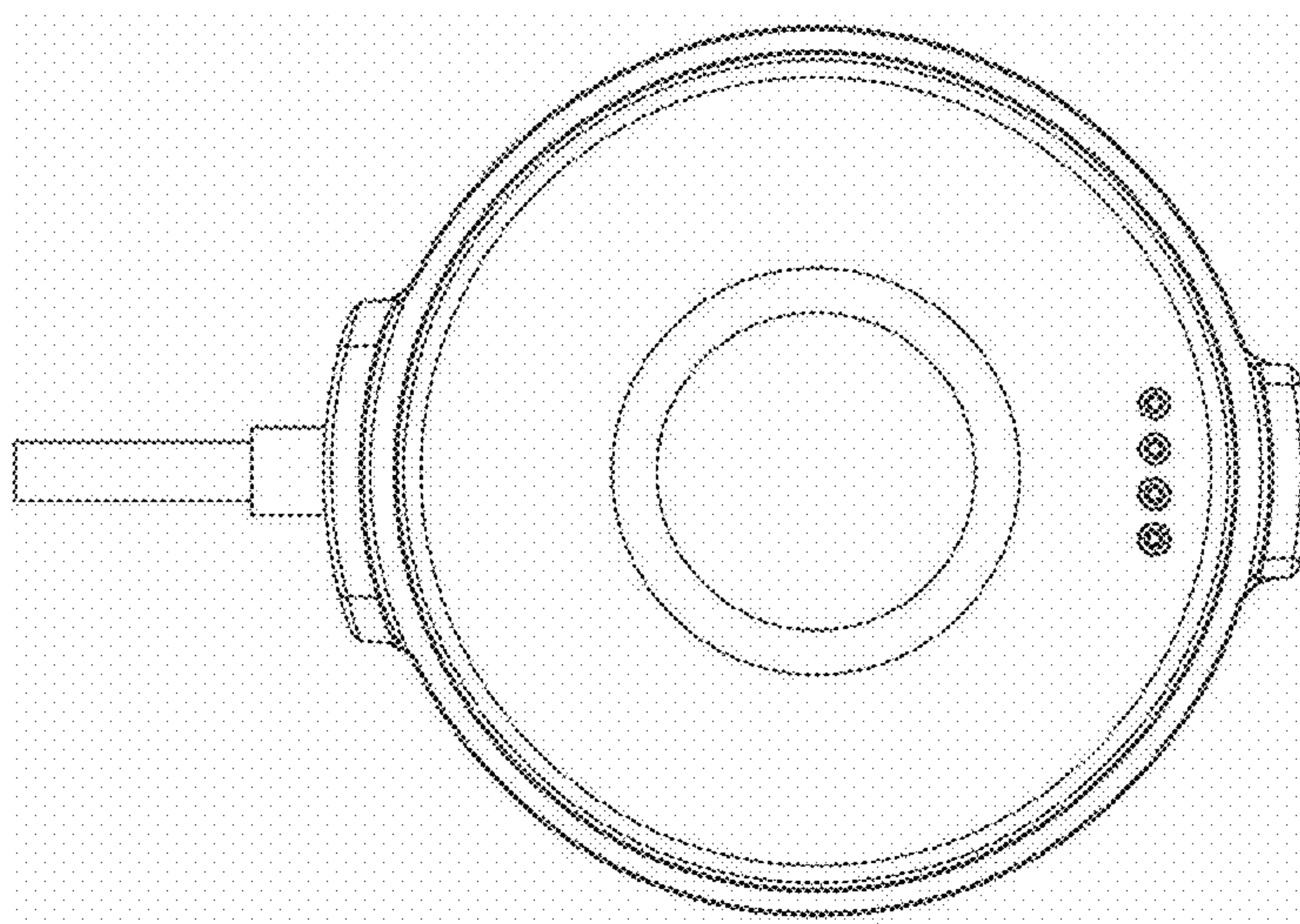


FIG.2

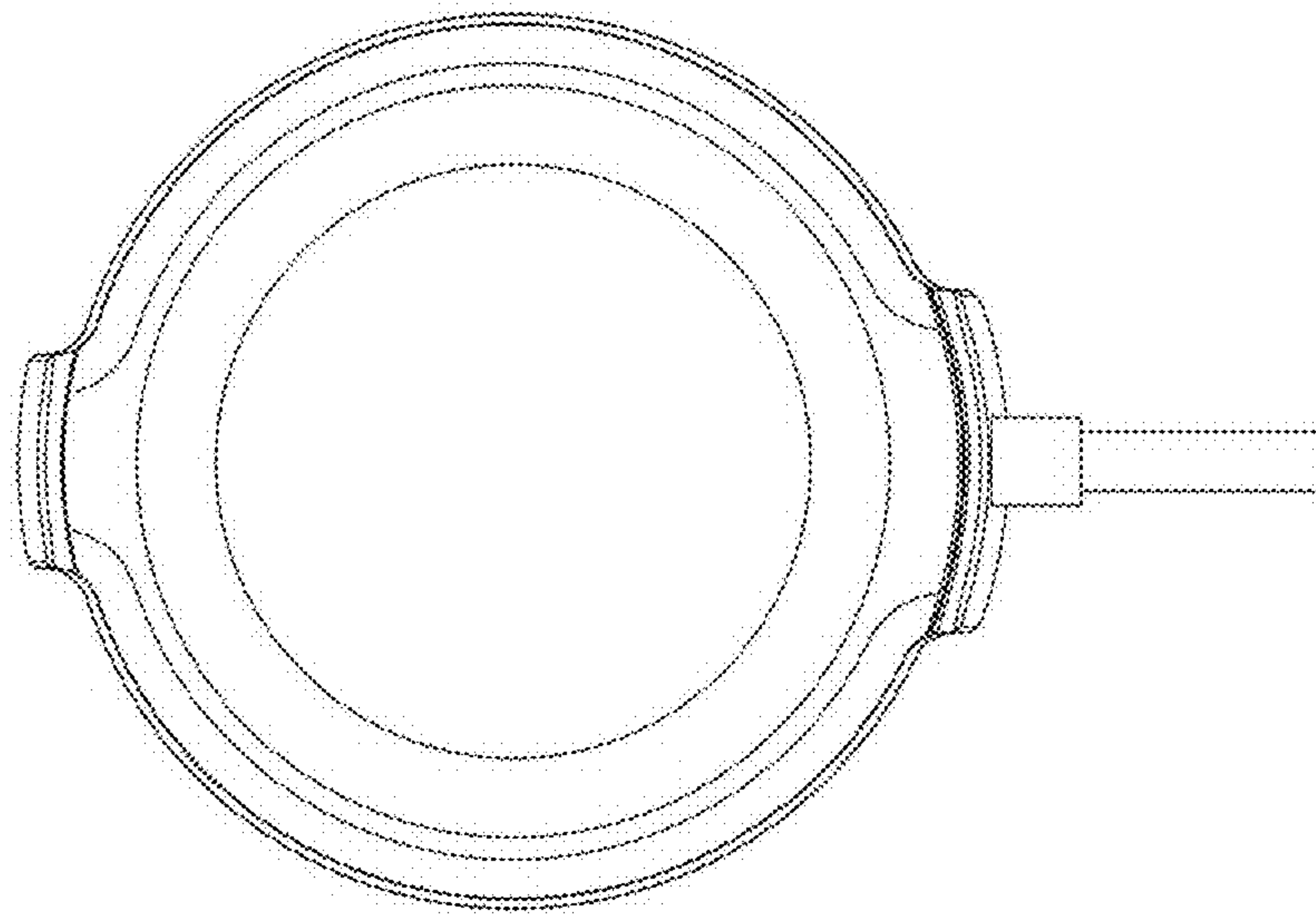


FIG.3

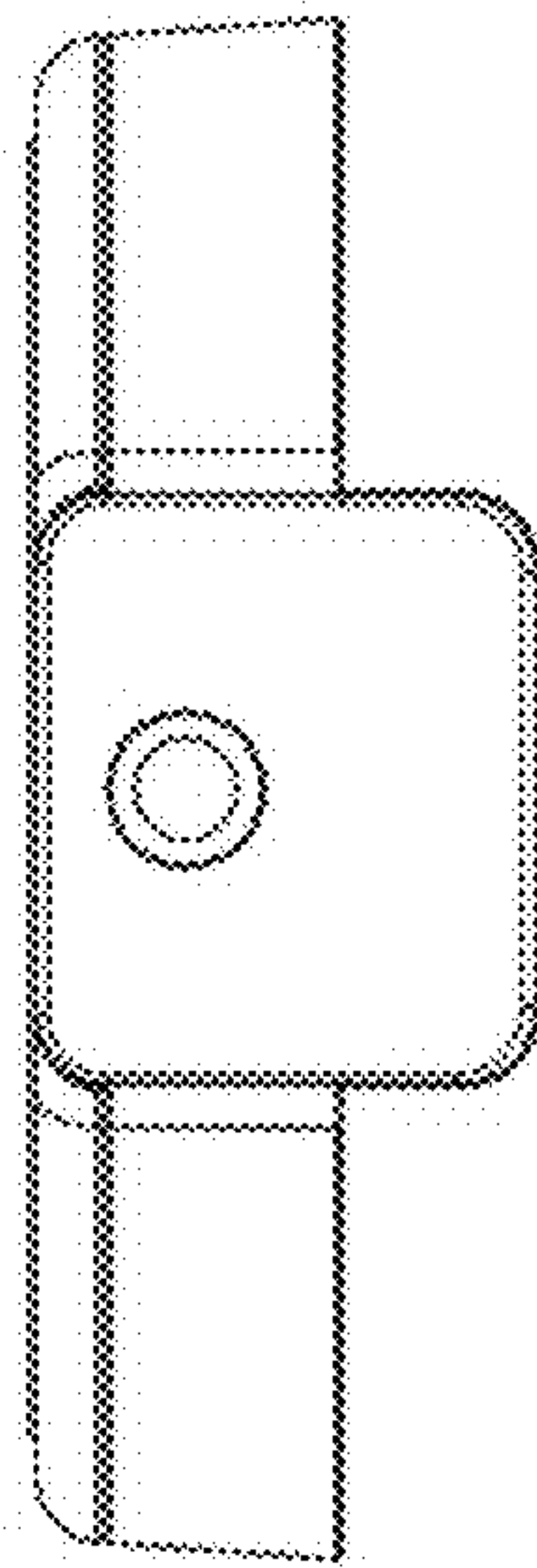


FIG.4

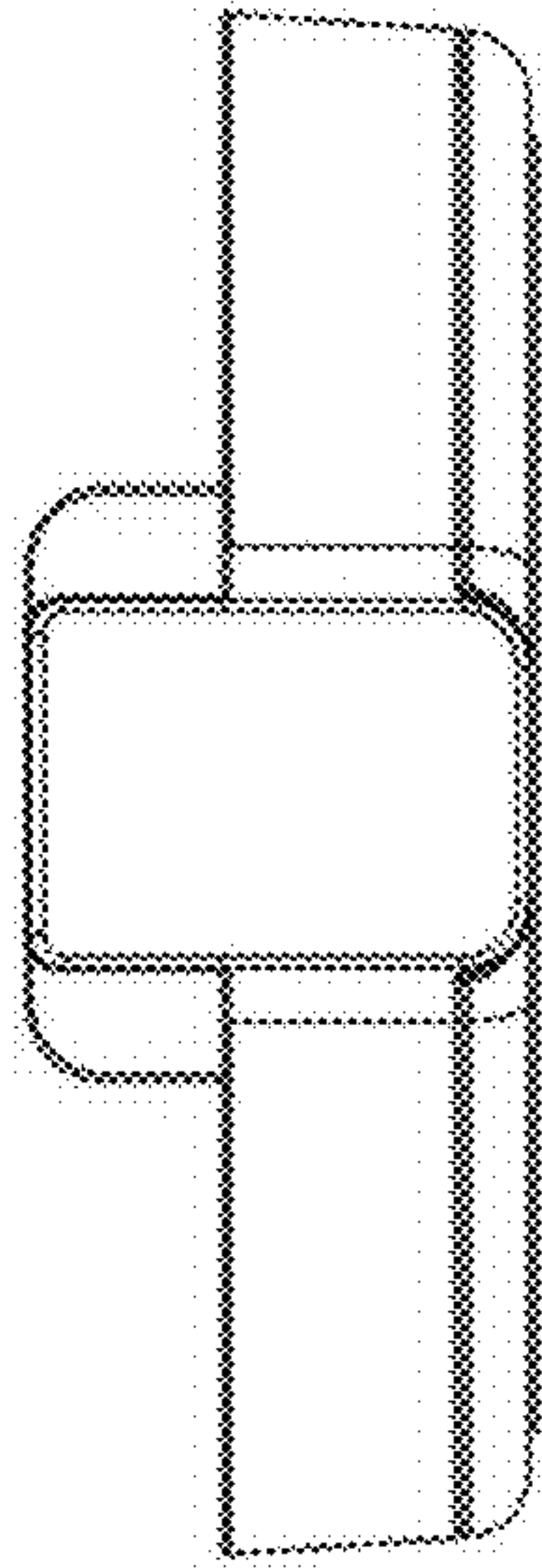


FIG. 5

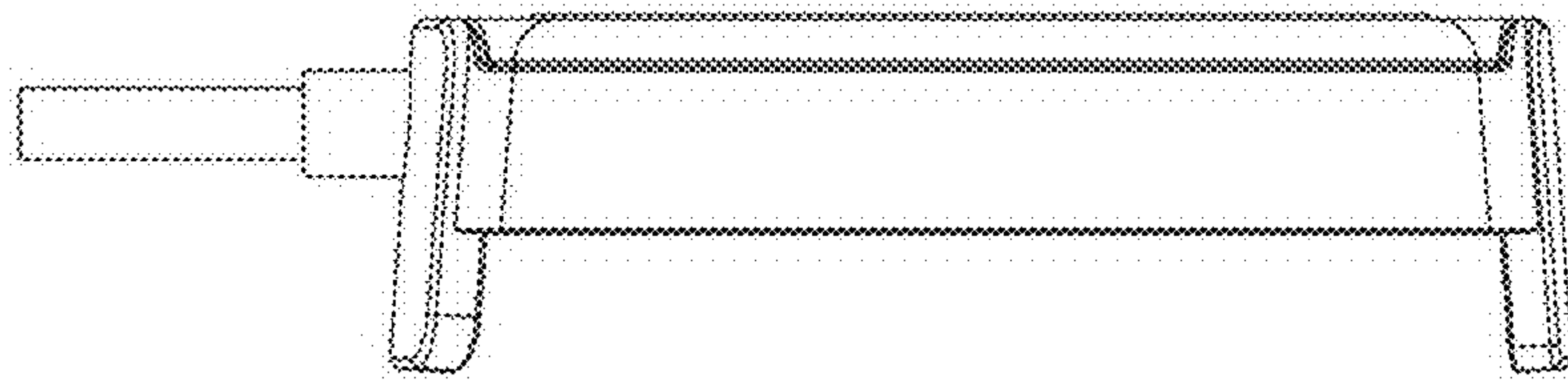


FIG. 6

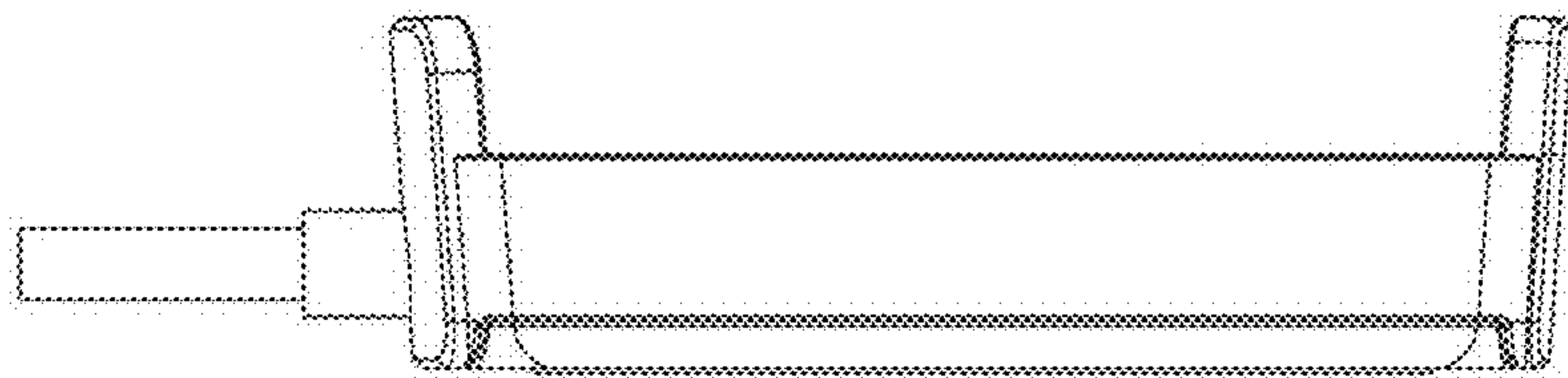


FIG. 7